

# Restroom Accessory Catalog



BUILDING VALUE SINCE 1906

# Portfolio of Values

---



Architects, developers and facility managers have selected Bobrick's performance-engineered restroom accessories with confidence for over a century. As the market leader, we deliver building owner value through design excellence, compliance, sustainability, and economical cost-in-use.



Three design-integrated series of accessories include ConturaSeries® for prestige properties, TrimLineSeries™ for up scale buildings and ClassicSeries® for standard use and heavy-traffic projects. From Class A to education and healthcare, recessed and surface-mounted, we have your design.



Our products are engineered to meet the latest accessibility requirements including wall protrusion, mounting heights, reach ranges and operation. Bobrick also provides detailed consultation on compliant product selection and installation. Bobrick/Koala meet ADA-ABA, ICC/ANSI, ASTM, EN.



Bobrick is at the forefront of the touch-free commercial restroom with automatic models to limit cross contamination. Our stainless products are easy to maintain and sanitize through regular cleaning. Microban® Antimicrobial protection is a Koala® baby changing station exclusive.



Accessories fabricated of 50%-70% post-industrial stainless steel contribute toward LEED certification. Soap and towel dispensers are engineered to reduce consumables usage eliminating the need for proprietary towels and soap cartridges, thereby reducing the operating footprint of a given building.



Robust engineering and built-in maintainability are the standards for Bobrick restroom accessories and Koala products, providing life-of-the-building functionality with appropriate maintenance. Reduced repair and replacement costs also deliver a positive impact on the operating budget.



Cost-in-use savings are also trademarks of Bobrick restroom accessories. Products are designed to control soap and paper towel usage, reduce labor and maintenance expense, and to be vandal-resistant. Savings calculators, available online, confirm the substantial savings and return on investment.



Non-proprietary dispensing of universal paper towels and bulk soap help building owners escape the high prices of consumables contracts common to closed system products. This facilitates open-market procurement and the ability to take advantage of a large variety of soap and towel options.

## SYMBOLS AND RESOURCES



The wheelchair designates accessories that meet ADA Accessibility Guidelines. For a free copy, visit [bobrick.com](http://bobrick.com).



The Planning Guide for Accessible Restrooms



Many Bobrick products assist in fulfilling sustainability and LEED objectives; for example, 50%-70% recycled stainless steel fabrication, see TB-88.



Products with the black QuickShip symbol ship within two days of receipt of order in the U.S. and Canada; products with the white QuickShip symbol ship in the U.S. only.

## VISIT [BOBRICK.COM](http://BOBRICK.COM) FOR TD SHEETS BY MODEL NUMBER:



**Rough Wall Opening Dimensions** for all recessed-mounted models.

**Universal/Accessibility Mounting Dimensions** for all ADA-compliant accessories.

**Rough Partition Opening Dimensions** for Toilet Partition Mounted accessories.

**TowelMate® and LinerMate® Model Numbers** for dispensers and receptacles.

**Battery Requirements** for touch-free towel and soap dispenser models.

## Table of Contents

### RESTROOM ACCESSORIES:

Combination Towel/Waste Units	4
Reusable Vinyl Liners	6
Paper Towel Dispensers	8
Waste Receptacles	10
Sanitary Napkin/Tampon Vendors	11
Lavatory-Mounted Soap Dispensers	12
SureFlo Soap System	12
SureFlo Automatic Universal Soap Dispensers	13
Soap Dispensers	14
Mirrors	16
Warm-Air Hand Dryers	18

### TOILET COMPARTMENT ACCESSORIES:

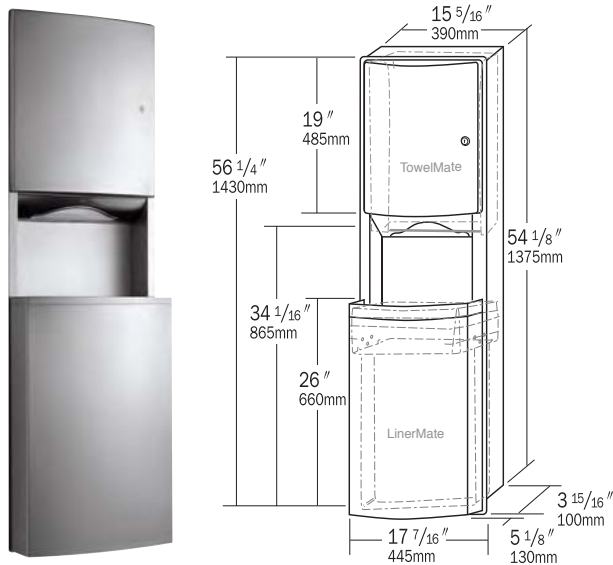
Toilet Tissue Dispensers	20
Toilet Compartment Accessories	23
Sanitary Napkin Disposals	24
Cubicle Collection	25
Toilet Seat Cover Dispensers	26
Grab Bars	27

### SPECIALTY PRODUCTS:

Bathroom Accessories	28
Shower/Tub Accessories	29
Hooks/Shelves/Custodial Accessories	31
Specimen Pass-Thru Cabinet	33
Koala Kare Child Care Products	34
Warranties/Patents	35

MODEL NO.	PAGE NO.	MODEL NO.	PAGE NO.	MODEL NO.	PAGE NO.	MODEL NO.	PAGE NO.
B-155	15	B-295	33	3974-57	7, 8, 13	B-674	28
B-1556 Series	17	B-296	33	B-3979	7	B-6747	28
B-156	15	B-297	29	B-398	29	B-676	28
B-165 Series	16	B-2974	8	B-40	15	B-677	31
B-1656 Series	17	B-29744	8	B-4063	14	B-6777	31
B-1658 Series	17	B-298	33	B-4112	14	B-680	28
B-1659 Series	17	B-299	29	4112-79	14	B-6806 Series	27
B-166 Series	16	B-301	26	B-42	15	B-6807	28
204-1	29	B-3013	26	B-4221	26	B-68137	27
204-2	29	B-306	14	B-4262	9	B-682	32
204-3	29	B-3094	25	B-4288	20	B-6827	32
B-207	29	B-318	9	B-4353	24	B-683	28
B-211	32	B-347	23	B-4354	24	B-685	22
B-2111	14	B-3471	23	B-43644	10	B-6857	22
2111-79	14	B-34715	23	43644-134	4, 10	B-686	22
B-2112	14	B-3474	23	B-4369	6	B-6861	27
B-2116	32	B-34745	23	4369-134	4	B-68616	27
B-212	31	B-3479	23	B-43699	6	B-6867	22
B-221	26	B-353	24	B-4380	30	B-687	28
B-223	33	B-35303	24	B-4388	20	B-6897	27
B-224	33	B-354	24	B-4390	30	B-697	20
B-2250	10	B-357	23	B-43944	4	B-6977	20
2250-3	6	B-3571	23	43944-134	4	B-699	20
B-2260	10	B-35715	23	B-43949	4	B-6997	20
B-2280	10	B-3574	23	B-4706 25	11	B-6999	21
B-2300	10	B-35745	23	B-4706 50	11	B-69997	20
B-232	32	B-3579	23	B-4706 C	11	B-700	19
B-233	31	B-359	9	B-47064 25	11	B-708	19
B-239	33	B-35903	9	B-47064 50	11	B-710	19
B-2400	10	B-3644	10	B-47064 C	11	B-7120	18
251-4	27	367-60	7	B-47069 25	11	B-7128	18
252-30	27	368-16	6	B-47069 50	11	B-72860	8
B-253	8	368-60	7	B-47069 C	11	B-72974	8
B-254	25	B-369	6	B-4998	27	B-740	19
2583	27	369-130	4, 6, 9	B-505	33	B-748	19
2586	27	B-36903	6	B-5050	15	B-750	19
B-262	9	B-3699	6	B-517	30	B-7671	31
262-130	4, 9	B-3706-176	11	B-518	30	B-76717	31
B-2620	9	B-3706 25	11	B-5181	30	B-7672	31
B-2621	9	B-3706 50	11	B-5191	30	B-76727	31
B-26212	9	B-3706C	11	B-5221	26	B-7685	22
B-263	9	B-37063 25	11	B-526	6	B-76857	22
B-264	22	B-37063 50	11	B-5262	9	B-7686	22
B-265	22	B-37063 C	11	B-5270	25	B-76867	22
B-270	25	B-370634 25	11	B-5277	10	B-770	18
B-2706 25	11	B-370634 50	11	B-52860	8	B-778	18
B-2706 50	11	B-370634 C	11	B-5288	21	B-81212	12
B-2706C	11	B-370639 25	11	B-529	10	B-81312	12
B-272	22	B-370639 50	11	B-530	28	B-81412	12
B-273	21	B-370639 C	11	B-541	21, 25	B-822	12
B-2730	21	B-3803	6	B-542	25, 31	B-8221	12
B-274	21	3803-130	4, 5	B-543	21, 25	B-82216	12
B-2740	21	B-38032	6	B-544	25, 32	B-8226	12
B-2746	22	B-38034	6	B-545	28	B-824	13
B-27460	22	B-380349	6	B-5806 Series	27	824-241	13
B-275	10	B-386	20	B-5837	27	B-828	13
275-14	6	B-3888	20	B-58616	27	B-830	12
B-277	10	B-39003	6	B-5897	27	B-830.12	12
B-279	10	B-39003-130	4, 5	B-6047	29	B-830.13	12
279-14	6	B-3942	4	B-6107	29	830-341	12
283-604	22	B-3944	4	B-6637	20	830-359	12
B-2840	22	3944-130	4	B-667	20	830-372	12
B-2860	8	3944-52	7	B-6677	20	B-8397	28
B-287	33	3944-134	4, 7, 10	B-6697	20	B-942	17
B-2888	20	B-3947	4	B-6699	21	B-983	32
B-2890	21	B-3949	4	B-66997	21	B-985	32
B-2892	21	B-3961	7	B-670	31	KB1101-00	34
B-290 Series	16	3961-50	7	B-6707	31	KB110-SSRE	34
B-2906 Series	17	B-39617	7	B-671	31	KB110-SSWM	34
B-2908 Series	17	B-39619	7	B-6717	31	KB200-00	34
B-2909 Series	17	B-397	29	B-672	31	KB200-SS	34
B-292 Series	16	B-3974	7	B-6727	31	KB200-01SS	34
B-293 Series	17	B-39747	7	B-673	28	KB200-05SS	34
B-294 Series	17	3974-50	7, 8	B-6737	28		

# Combination Towel/Waste Units

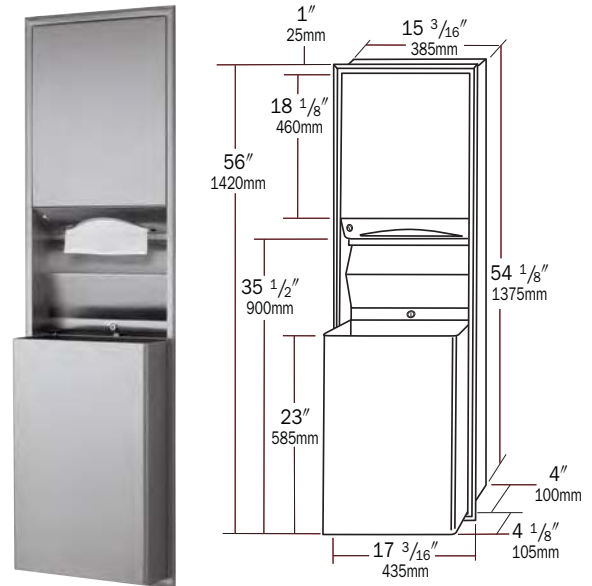


 **B-43944 ConturaSeries® RECESSED PAPER TOWEL DISPENSER/WASTE RECEPTACLE WITH TowelMate AND LinerMate** 

Satin-finish stainless steel. Flush tumbler lock. Dispenses 600 C-fold or 800 multifold towels. Waste receptacle has 15-gal. capacity.


**B-43949** Similar to B-43944, but with skirt for surface mounting.

See Chart below for TowelMates and LinerMates for existing units.



**B-3944 ClassicSeries® RECESSED CONVERTIBLE PAPER TOWEL DISPENSER/WASTE RECEPTACLE** 

Unit includes convertible folded paper towel module and 12-gal. waste receptacle module. Satin-finish stainless steel. Seamless beveled flange. Dispenses 600 C-fold or 800 multifold towels. Removable waste receptacle is locked into cabinet. Receptacle has 12-gal. capacity.

 **B-3942** Similar to B-3944, but with skirt for semi-recessing in 2" walls.

 **B-3949** Similar to B-3944, but with skirt for surface mounting.

**B-3947** Similar to B-3944, but with 18-gal. waste receptacle.

 **3944-134 LinerMate Accessory**

 **3944-130 TowelMate Accessory** 

**ConturaSeries TowelMate/LinerMate part numbers for existing units.**

ConturaSeries	TowelMate Part No.	LinerMate Part No.
B-43644	N/A	43644-134
B-4262, B-4369, B-43699	3944-130	4369-134
B-43944, B-43949	3944-130	43944-134
B-277	N/A	3944-134

**LinerMate fits Classic, Gamco and other manufacturers' units.**

Part No.	Applications
3944-134	Bobrick ClassicSeries Gamco TW Series Gamco WR Series Other Mfrs.

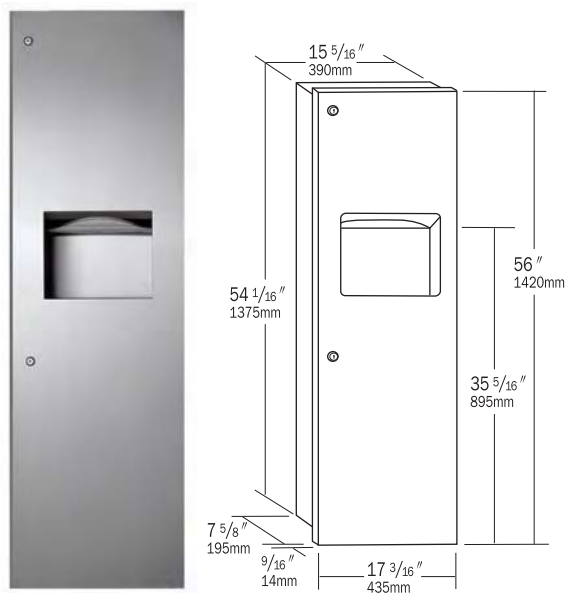


**TowelMate fits TrimLine, Classic, Gamco and other manufacturers' units.**

Part No.	Manufacturer	Model Number Application
3803-130	Bobrick TrimLine	B-3803, B-38032, B-380349, B-3903
3944-130	Bobrick TrimLine	B-35903, B-36903
	Bobrick Classic	B-359, B-369, B-3699
3944-130	Bobrick Classic	B-3914, B-3942, B-3944, B-3947, B-3949
	Gamco TW	TW -1, -1FS, -1-18
	Other Mfgs.	Towel/Waste similar to B-3944
262-130	Bobrick Classic	B-262, B-2620, B-2621, B-26212
	Gamco TD	TD -2, -2-8
	Other Mfgs	Towel Dispensers similar to B-262
39003-130	Bobrick TrimLine	B-39003, B-390034, B-396034

**NOTE:** For a complete product description, see page 6.

# Combination Towel/Waste Units



## B-39003 TrimLineSeries™ RECESSED PAPER TOWEL DISPENSER/WASTE RECEPTACLE



Satin-finish stainless steel. Door has 90° return, conceals flange. Dispenses 600 C-fold, 800 multifold or 1100 singlefold towels. Removable leak-proof, 12-gal. waste container.

**39003-130 TowelMate Accessory**



## B-3803 TrimLineSeries RECESSED PAPER TOWEL DISPENSER/WASTE RECEPTACLE



Satin-finish stainless steel. Door has 90° return, conceals flange. Dispenses 600 C-fold, 800 multifold or 1100 single-fold towels. Removable, leak-proof, 6.3-gal. waste container.

**3803-130 TowelMate Accessory**

**B-38032** Similar to B-3803, but with 2" skirt for recessed installation.

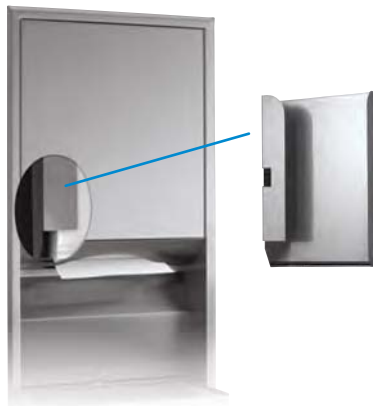
**B-38034** Similar to B-3803, but requires 3 3/4" min. depth. Waste capacity: 3.8-gal. Dispenses C-fold and multifold towels.

**B-380349** Similar to B-38034, but with skirt.

## TowelMate reduces towel usage by 20%.

### One towel at a time, every time.

Eliminates the dispensing of handfuls of towels with the "Perfect Pull Rod" separating and dispensing individual C- or multifold towels. TowelMate accessory installs in existing cabinets without tools and fits all Bobrick dispensers and similar models of other manufacturers.



### How much will you save?

In a typical office building with 40 folded towel dispensers, the C-fold usage was 33 cases per month, or over \$8,000 per year. By using TowelMates, usage dropped 21% for a savings of \$1,700 annually. There are additional savings with the use of multifold towels and reduced maintenance expense. Visit [bobrick.com](http://bobrick.com) for an interactive Cost Savings Calculator.



### Eliminate liner overhang.

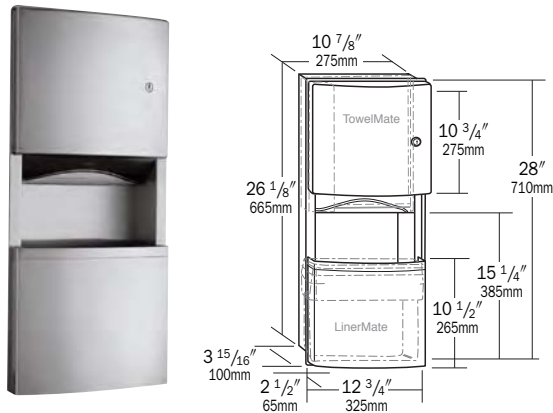
LinerMate improves restroom appearance by securing trash bag into waste receptacle for a flush, out-of-sight fit.




### Specifying TowelMates and LinerMates:

When selecting folded towel dispensers and/or waste receptacles, use the model number of your choice and add the appropriate TowelMate and LinerMate model numbers to complete your specification. Accessories can also be ordered for similar models of like description. See chart on page 4.

# Combination Towel/Waste Units

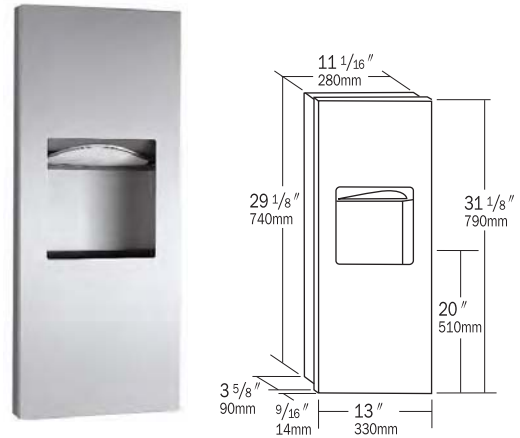


**B-4369 ConturaSeries RECESSED PAPER TOWEL DISPENSER/WASTE RECEPTACLE WITH TowelMate AND LinerMate** 

Satin-finish stainless steel. Flush tumbler lock. Dispenses 350 C-fold or 475 multifold towels. Waste receptacle has 3-gal. capacity; projects 2 1/2" from wall. Removable front panel for cleaning.

**B-43699** Similar to B-4369, but with skirt for surface mounting.

**NOTE:** See page 4 for TowelMates and LinerMates for existing units.



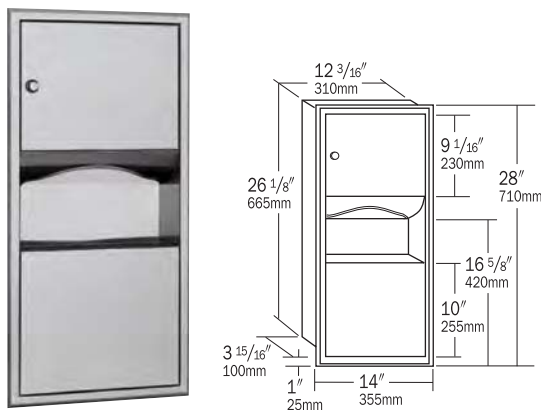
**B-36903 TrimLineSeries RECESSED PAPER TOWEL DISPENSER/WASTE RECEPTACLE** 

Satin-finish stainless steel. Door has 90° return, conceals flange. Dispenses 300 C-fold or 400 multifold towels. Removable, leak-proof, 1.6-gal. waste container.

**369-130 TowelMate Accessory** 


## Reusable heavy-gauge plastic receptacles:

PART NO.	FOR MODEL NO.
<b>368-16</b>	B-39617, B-3947, 368-60
<b>2250-3</b>	B-2250, B-2260
<b>275-14</b>	B-275
<b>279-14</b>	B-279



**B-369 ClassicSeries RECESSED PAPER TOWEL DISPENSER/WASTE RECEPTACLE** 


Satin-finish stainless steel. Seamless beveled flange. Dispenses 350 C-fold or 475 multifold towels. Knob-latch retains door. Removable waste container has 2-gal. capacity.

**369-130 TowelMate Accessory** 

**B-3699** Similar to B-369, but with stainless steel skirt for surface mounting.

## Countertop Towel Dispenser



**B-526 TrimLineSeries COUNTERTOP MOUNTED PAPER TOWEL DISPENSER** 

Satin-finish stainless steel. Flange has 90° return. Towels load into top of dispenser. Dispenses 300 C-fold or multifold towels. Unit 12 3/4" W, 6" front to back depth; 17" min. clearance below mounting surface is required. Housing below countertop to conceal dispenser is not included.



# Convertible Towel/Waste Units



## B-3961 ClassicSeries RECESSED CONVERTIBLE PAPER TOWEL DISPENSER/WASTE RECEPTACLE

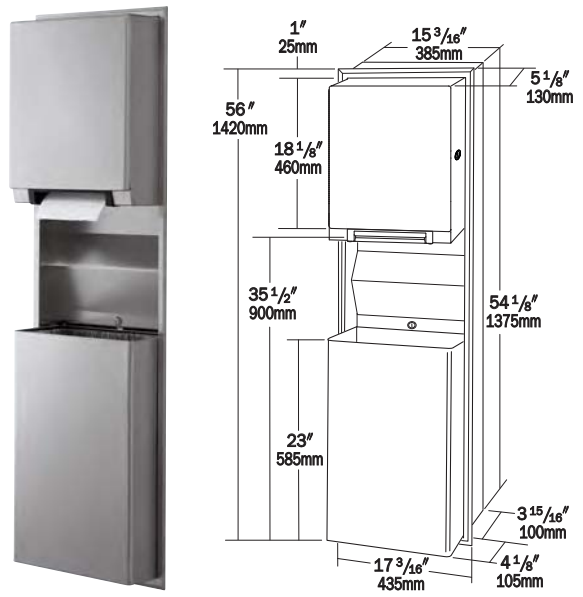


Unit includes convertible universal, roll paper towel module and removable 12-gal. waste receptacle module. Satin-finish stainless steel. Seamless beveled flange. Touch-free, pull-towel mechanism dispenses 12" length per pull of universal roll paper towels. Accommodates 8" wide, up to 8" dia. rolls, 800 ft long, plus 3 1/2" dia. stub roll with automatic transfer. Removable waste receptacle is locked into cabinet. Receptacle has 12-gal. capacity.

**B-39619** Similar to B-3961, but with 4" skirt for surface mounting.

**B-39617** Similar to B-3961, but with 18-gal. waste receptacle.

**3944-134 LinerMate Accessory**



## B-3974 ClassicSeries RECESSED CONVERTIBLE AUTOMATIC, UNIVERSAL ROLL TOWEL DISPENSER/WASTE RECEPTACLE



Convertible automatic universal, roll paper towel dispenser and removable 12-gal. waste receptacle module. Satin-finish stainless steel. Seamless beveled flange. Removable waste receptacle is locked into cabinet. Receptacle has 12-gal. capacity. Batteries not included.

**B-3979** Similar to B-3974, but with 4" skirt for surface mounting.

**B-39747** Similar to B-3974, but with 18-gal. waste receptacle.

**3944-134 LinerMate Accessory**

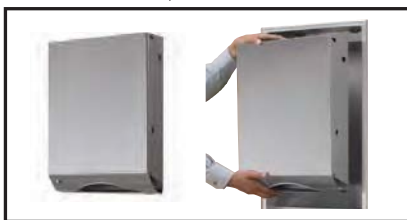
**3974-57 AC External Adapter (6V)** available for B-3974, B-3979, B-39747 and 3974-50.

## Interchangeable towel dispenser modules for B-3944, B-3961, B-3974 Series:

Modules convert from and to automatic and touch-free roll towel, and folded towel.

Modules dispense universal, economically-priced products compared to proprietary contracts.

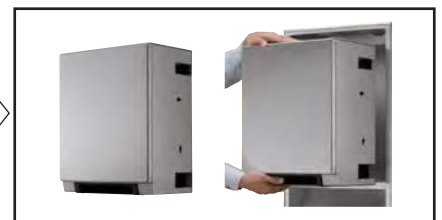
Conversions are made without replacing existing cabinets in the wall.



**3944-52** folded towel dispenser module. Can be ordered separately to fit existing B-3944s.



**3961-50** touch-free, pull towel dispenser module. Can be ordered separately to fit existing B-3961s.



**3974-50** automatic dispenser module. Can be ordered separately to fit existing B-3974s.

## Interchangeable Receptacles:

Choose from 12 and 18-gal. waste receptacles. Fits B-3944, B-3961, B-3974 Series.



**367-60** 12-gal.



**368-60** 18-gal.

# Paper Towel Dispensers



**B-2974 AUTOMATIC, UNIVERSAL SURFACE-MOUNTED ROLL PAPER TOWEL DISPENSER**

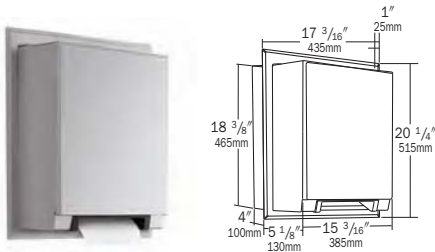
Satin-finish stainless steel. Door has tumbler lock and piano-hinge. Unit 15 <sup>3</sup>/<sub>16</sub>" W, 18 <sup>1</sup>/<sub>4</sub>" H, 9 <sup>1</sup>/<sub>16</sub>" D. Batteries not included.

**3974-57 AC External Adapter (6V)** available.



**B-2860 SURFACE-MOUNTED ROLL PAPER TOWEL DISPENSER**

Satin-finish stainless steel. Touch-free, pull-towel mechanism dispenses 12" length per pull (1.8 lbs) of universal towels. Accommodates 8" wide, up to 8" dia. rolls, 800 ft long, plus 3 <sup>1</sup>/<sub>2</sub>" dia. stub roll with automatic transfer. Door has tumbler lock and piano-hinge. Unit 11 <sup>3</sup>/<sub>4</sub>" W, 15" H, 9" D.



**B-29744 AUTOMATIC, UNIVERSAL SEMI-RECESSED ROLL PAPER TOWEL DISPENSER**

Similar to B-2974 with seamless satin-finish stainless steel beveled flange. Batteries not included.

**3974-57 AC External Adapter (6V)** available.



**B-72860 SURFACE-MOUNTED ROLL PAPER TOWEL DISPENSER**

Durable plastic construction; translucent cover. Touch-free, pull towel mechanism dispenses 12" length per pull (1.8 lbs) of universal towels. Accommodates 8" wide, up to 8" dia. rolls, 800 ft long, plus 3 <sup>1</sup>/<sub>2</sub>" dia. stub roll with automatic transfer. Locking cabinet with removable and permanent keys. Unit 12 <sup>1</sup>/<sub>2</sub>" W, 15 <sup>1</sup>/<sub>2</sub>" H, 9 <sup>1</sup>/<sub>2</sub>" D.



**3974-50 AUTOMATIC, UNIVERSAL ROLL PAPER TOWEL DISPENSER MODULE**

Satin-finish stainless steel. Interchangeable convertible module designed for installation in B-3944 and B-3961 purchased after July 2006. Projects 5 <sup>1</sup>/<sub>8</sub>" from wall. Batteries not included.

**3974-57 AC External Adapter (6V)** available.



**B-52860 MatrixSeries™ SURFACE-MOUNTED ROLL PAPER TOWEL DISPENSER**

Durable ABS plastic; grey color. Delivers preset length of paper towel: 2" or 4" per stroke. 4" stub roll. Accepts standard core rolls 7 <sup>1</sup>/<sub>4</sub>" to 8" wide, up to 8" dia.. Unit 11 <sup>5</sup>/<sub>8</sub>" W, 15 <sup>1</sup>/<sub>16</sub>" H, wall to lever 10 <sup>1</sup>/<sub>8</sub>".



**B-72974 AUTOMATIC, UNIVERSAL SURFACE-MOUNTED ROLL PAPER TOWEL DISPENSER**

Durable plastic construction; translucent navy cover. Locking cabinet. Unit 12 <sup>3</sup>/<sub>8</sub>" W, 15 <sup>1</sup>/<sub>4</sub>" H, 9 <sup>1</sup>/<sub>2</sub>" D. Batteries not included.

**3974-57 AC External Adapter (6V)** available.

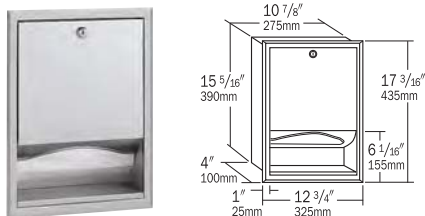


**B-253 SURFACE-MOUNTED ROLL PAPER TOWEL DISPENSER**

Heavy-duty aluminum casting, satin finish. Molded plastic spindle has concealed locking device; removed with special key furnished. Controlled delivery. Holds paper towel rolls up to 6" dia.. Unit 12 <sup>1</sup>/<sub>2</sub>" wide and projects 4 <sup>7</sup>/<sub>8</sub>" from wall.



# Paper Towel Dispensers



## ⚡ B-359 ClassicSeries RECESSED PAPER TOWEL DISPENSER



Satin-finish stainless steel. Seamless beveled flange. Dispenses 350 C-fold or 475 multifold towels. Door equipped with full-length stainless steel piano-hinge at bottom; swings down for easy filling.

⚡ 369-130 TowelMate Accessory



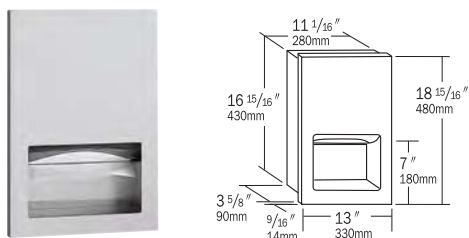
## ⚡ B-2621 ClassicSeries SURFACE-MOUNTED PAPER TOWEL DISPENSER



Satin-finish stainless steel. Dispenses 200 C-fold or 275 multifold towels. Door has knob-latch. Hemmed towel tray opening. Unit 10 3/4" W, 7 1/8" H, 4" D.

⚡ B-26212 Similar to B-2621, but with tumbler lock.

⚡ 262-130 TowelMate Accessory



## ⚡ B-35903 TrimLineSeries RECESSED PAPER TOWEL DISPENSER



Satin-finish stainless steel. Door has 90° return, conceals flange. Dispenses 300 C-fold or 400 multifold towels.

⚡ 369-130 TowelMate Accessory



## ⚡ B-263 SURFACE-MOUNTED PAPER TOWEL DISPENSER

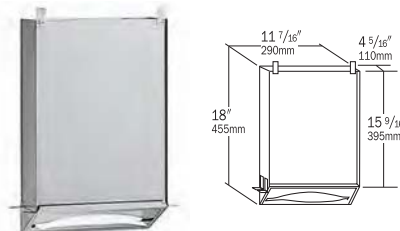
Satin-finish stainless steel. Tumbler lock on top of cabinet. Dispenses 400 singlefold towels. Cabinet slots indicate refill time. Unit 12 1/8" W, 7 1/4" H, 6 1/8" D.



## ⚡ B-4262 ConturaSeries SURFACE-MOUNTED PAPER TOWEL DISPENSER WITH TowelMate

Satin-finish stainless steel. Tumbler lock on top of cabinet. Door swings down for loading towels. Dispenses 400 C-fold or 525 multifold towels. Cabinet slots indicate refill time. Unit 10 13/16" W, 13 1/4" H, 4 7/8" D.

⚡ 369-130 TowelMate Accessory



## B-318 RECESSED PAPER TOWEL DISPENSER



Satin-finish stainless steel. Dispenses 600 C-fold or 800 multifold towels. Towels load into bottom of cabinet concealed behind wall or mirror; only the towel tray is visible.



## ⚡ B-262 ClassicSeries SURFACE-MOUNTED PAPER TOWEL DISPENSER



Satin-finish stainless steel. Dispenses 400 C-fold or 525 multifold towels. Door has tumbler lock and piano-hinge. Hemmed towel tray opening. Unit 10 3/4" W, 14" H, 4" D.

⚡ B-2620 Similar to B-262, but with knob-latch.

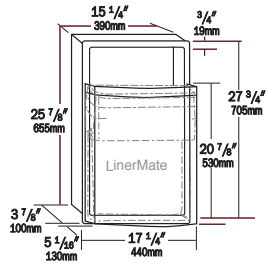
⚡ 262-130 TowelMate Accessory



## ⚡ B-5262 MatrixSeries SURFACE-MOUNTED PAPER TOWEL DISPENSER

Durable ABS plastic; grey color. Dispenses 400 C-fold or 525 multifold towels. Cabinet slots indicate refill time. Door has concealed locking device. Unit 11 1/2" W, 15 1/4" H, 4 3/4" D.

# Waste Receptacles



## B-43644 ConturaSeries RECESSED WASTE RECEPTACLE WITH LinerMate

Satin-finish stainless steel. Removable front panel for easy cleaning. Capacity: 12.8-gal.

⚡**43644-134 LinerMate Accessory**



## B-2250 FLOOR-STANDING WASTE RECEPTACLE WITH TOP

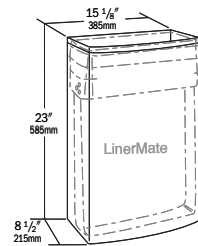
Satin-finish stainless steel. Top with self-closing doors. Vinyl wall bumper, rubber feet. Hooks for liners. Capacity: 13-gal. Unit 13 3/8" x 13 3/8" at top, 29 1/2" H.



## B-2280 FLOOR-STANDING OPEN-TOP WASTE RECEPTACLE

Satin-finish stainless steel. Open top. Vinyl wall bumper, rubber feet. Liner hooks. Capacity: 21-gal. Unit 14" x 14" at top, 30" H.

**B-2260** Similar to B-2280, but with 13-gal. capacity. Unit 12 1/2" x 12 1/2" at top, 22" H.



## ⚡B-277 ConturaSeries SURFACE-MOUNTED WASTE RECEPTACLE WITH LinerMate

Satin-finish stainless steel. Capacity: 12.75-gal. Top edges are hemmed and bottom of waste receptacle has recessed finger grip for safe handling.

⚡**3944-134 LinerMate Accessory**



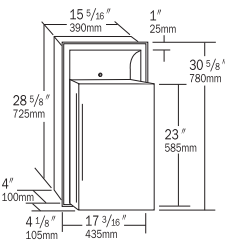
## B-2300 FLOOR-STANDING DOME-TOP WASTE RECEPTACLE

Satin-finish stainless steel body with black steel-domed top. Removable top with fingerprint-resistant textured powder coated finish has 6" dia. opening for hygienic, no-touch disposal of waste. Rigid plastic liner has grommets lift holes. Capacity: 18-gal. Unit 15" dia., 31" H.



## B-2400 FLOOR-STANDING LARGE-CAPACITY WASTE RECEPTACLE

Satin-finish stainless steel. Removable funnel top with 8 1/4" dia. opening for hygienic, no-touch disposal of waste. Four heavy-duty rubber feet. Rigid plastic liner. Waste container has handle for easy removal. Capacity: 33-gal. Unit 18 1/4" dia., 32" H.



## ⚡B-3644 ClassicSeries RECESSED WASTE RECEPTACLE

Satin-finish stainless steel. Seamless beveled flange. Removable, 12-gal. receptacle locks into cabinet. Hooks hold optional vinyl liner.

⚡**3944-134 LinerMate Accessory**



## B-5277 MatrixSeries SURFACE-MOUNTED WASTE RECEPTACLE

Impact-resistant polymer; grey color. Capacity: 13-gal. Unit 17" W, 23" H, 9 1/2" D.



## ⚡B-279 ClassicSeries SURFACE MOUNTED WASTE RECEPTACLE

Satin-finish stainless steel. Bottom edges hemmed for safety. Hooks hold furnished reusable vinyl liner; removable for servicing. Capacity: 6.4-gal. Unit 14" W, 18" H, 6" D.



## B-275 SURFACE-MOUNTED WASTE RECEPTACLE

Satin-finish stainless steel. Bottom edges hemmed for maximum safety. Hooks hold furnished reusable vinyl liner; removable for servicing. Capacity: 20-gal. Unit 16 1/2" W, 23" H, 12 1/2" D.



## ⚡B-529 COUNTERTOP-MOUNTED WASTE CHUTE

Rolled flange and exposed surfaces bright-polished stainless steel. Outside dia. 6 15/16", inside dia. 5 1/2", chute depth 5". Provides waste deposit access to receptacle (not furnished) placed under countertop.



# Certified ADA-Compliant Napkin/Tampon Vendors



## Push-button operation, less than 5 lb of force, no grasping, pinching or twisting of the wrist.



- Mechanical operation, no batteries or electricity required.
- Meets ADA-ABA and ICC/ANSI Accessibility Guidelines for Operation.
- For 25¢ and 50¢ operation, add 25 or 50 to model number. For no-charge operation, add C to model number. Easy coinage conversion in the field.
- Accepts quarters (U.S. or Canadian).
- Returned coins or wrong coins (1¢, 5¢, 10¢) by-pass mechanism and drop into product tray.
- Type 304 satin-finish stainless steel on exposed surfaces.
- Easy access product tray.
- Push-button coin return cancels product selection.
- Empty product indicator automatically blocks coin slot.
- Holds 30 tampons, 20 napkins.
- Two tumbler door locks keyed like other Bobrick accessories.
- Separately-keyed coin box lock for management access.



### ConturaSeries



#### B-4706 25 RECESSED\*

Door with 27° arc and two flush door locks; soft radius on edges and corners.

**B-4706 50**  
**B-4706C**

#### B-47064 25 SEMI-RECESSED

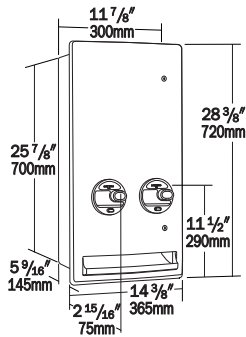
Similar to B-4706, but with stainless steel skirt for semi-recessing in 4" deep walls.

**B-47064 50**  
**B-47064C**

#### B-47069 25 SURFACE-MOUNTED

Similar to B-4706, but with stainless steel skirt for surface mounting.

**B-47069 50**  
**B-47069C**



### TrimLineSeries



#### ✂B-37063 25 RECESSED\*

Flat door design has 90° returns, conceals flange.

**B-37063 50**  
**B-37063C**

#### B-370634 25 SEMI-RECESSED\*

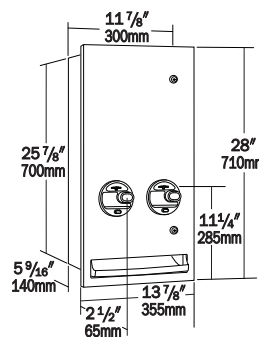
Similar to B-37063, but with stainless steel skirt for semi-recessing in 4" deep walls.

**B-370634 50**  
**B-370634C**

#### B-370639 25 SURFACE-MOUNTED

Similar to B-37063, but with stainless steel skirt for surface mounting.

**B-370639 50**  
**B-370639C**



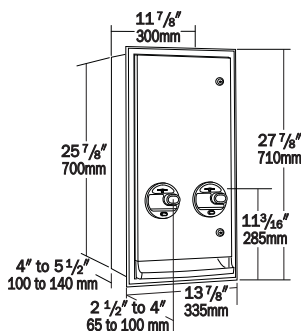
### ClassicSeries



#### ✂B-3706 25 RECESSED\* OR SEMI-RECESSED

Adjustable seamless beveled flange allows fully-recessed installation in 6" deep walls or semi-recessed installation in 4" to 6" deep walls.

**B-3706 50**  
**B-3706C**



### ClassicSeries



#### ✂B-2706 25 SURFACE-MOUNTED

Similar to B-3706 without adjustable flange for surface mounting.

**B-2706 50**  
**B-2706C**

#### B-3706-176 FLANGE KIT

For use with ADA-Compliant Push-Button Operated Vendors. Allows for recessing ADA-Compliant Push-Button Operated Napkin Tampon Vendors into pre-existing wall openings with larger dimensions.



\* Complies with ADA-ABA and ICC/ANSI Protruding Objects Limit of maximum 4" protrusion into circulation path depending on wall depth.

# Lavatory-Mounted Soap Dispensers/SureFlo® Soap System



## B-822 LIQUID SOAP DISPENSER

Features ease of maintenance and labor savings. Vandal-resistant locking cover and free-turning spout; corrosion-resistant, bright-polished spout, cover and escutcheon; high-impact-resistant ABS body and shank; shatter-resistant polyethylene container.



**B-822**



**B-8221**

## Liquid & lotion soaps, and synthetic detergent dispensers:

MODEL NO.	CAPACITY	SPOUT LENGTH	MAX. MTG. THICKNESS
⚡B-822	34-fl oz	4"	4"
⚡B-8221	20-fl oz	4"	1"
⚡B-8226	34-fl oz	6"	4"
⚡B-82216	20-fl oz	6"	1"

### NOTE:

All Bobrick B-822 Series Soap Dispensers are designed to dispense commercially marketed all-purpose hand soaps including liquid and lotion soaps, synthetic detergents, and antibacterial soaps containing PCMX and/or Triclosan. Bobrick soap dispensers are not designed to dispense alcohol-based hand sanitizers or iodine-based surgical soaps.



## SureFlo TANK-IN-A-BOX SOAP SYSTEM

The delivery of 15,000 handwashes from one container makes this product the most sustainable soap system on the market versus the environmental impact of overpackaged alternatives. Accommodates one 12-liter (13,000 handwashes) SureFlo Soap Cartridge. Cabinet is equipped with 2-liter (2000 handwashes) reservoir. Cabinet is constructed of type 304 stainless steel. Door has satin finish and tumbler lock, keyed like other Bobrick washroom accessories. Cabinet is equipped with Low Soap Indicator (LSI) Light. Cabinet is mounted under lavatory countertop on left or right side walls, or rear wall. Includes tubing and connectors. Cabinet furnished with one 12-liter cartridge of Bobrick SureFlo Soap. Cabinet 10" W, 15 1/4" H in front, 16 1/2" H in rear, 18 5/8" D.

**B-830.12** Soap System Cabinet with one 12-liter cartridge of Pink Lotion SureFlo Soap.

**B-830.13** With Premium Gold SureFlo Soap.

### B-830 SOAP DISPENSER SOAP PUMP MOUNTING SHANK KITS

One kit required for every lavatory-mounted soap dispenser.

**830-359** 4" Spout Length, Bright Polished Stainless Steel (B-822).

**830-372** With 6" Spout Length.

### 830-341 SureFlo CONNECTOR KITS FOR B-830 SERIES SOAP DISPENSERS

One kit required for each B-830 Dispenser.

### NOTE:

Maximum countertop mounting thickness 1 3/4", for thicker countertops up to 4 3/4" order Bobrick Part Number 822-402.

## How to Specify/Order:

**B-830.12**, or **B-830.13** Soap System Cabinet.

**830-359** or **830-372** Soap Dispenser Soap Pump, Mounting Shank Kit.

**830-341** Connector Kit. One kit required for each soap dispenser.

### SureFlo SOAP SYSTEM SOAP CARTRIDGES

Formulated especially for Bobrick B-830 Series Lavatory-Mounted Soap Dispenser Systems, 12-liter cartridge (13,000 handwashes).

⚡**B-81312** Premium Gold Soap.

⚡**B-81212** Pink Lotion Soap.



## NEW SureFlo GREEN SOAP

**B-81412** Lotion Soap, Green Seal™ Certified.



# SureFlo Automatic, Top-Fill Universal Soap Dispensers



**B-824 SureFlo AUTOMATIC, TOP-FILL UNIVERSAL LIQUID SOAP DISPENSER**



**B-828 SureFlo AUTOMATIC, TOP-FILL UNIVERSAL FOAM SOAP DISPENSER**



Top filling saves labor; oversize fill port designed for economical bulk jug soap. No more under-counter servicing of screw-on cartridges.

Foam and liquid bulk jug soap save more than 80% compared to proprietary closed-system cartridges at locked in prices; SureFlo ROI averages one year.

Polished chrome finish reflects design continuity with other restroom accessories compared to the plastic retrofit hodge-podge.

Electronic Activation System defines the "dispense zone" eliminating hand waving and false dispensing. Portion control adjustment from .4ml to 3ml.

Five 800ml soap cartridges hold approximately the same amount as a one-gal. bulk jug resulting in a 57% reduction of post-consumer waste.

## How much will you save?



### Reduce soap usage by 80%, post-consumer waste by 57%.

Here is a typical example of calculating the savings, based on one sink with one dispenser, comparing bulk fill SureFlo to under-counter proprietary cartridges, resulting in the following savings:

- Per sink, 35 people X 4 hand washes /day = 112ml soap /day
- Equates to 29.5L /year / sink:
  - Bulk soap approximate annual cost \$ 41.01
  - Cartridge soap approximate annual cost \$ 223.24
- Annual soap savings: 82%
- Post-consumer waste reduction: 57%

There are additional labor saving factors such as top-filling compared to frequent under-counter cartridge changeovers. Plus the time consuming convenience of bulk jug soap.



\*B-828 Foam model only.



### 824-241 BATTERY PACK

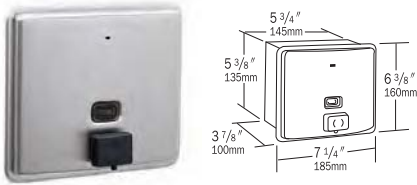
Four D-cell batteries last for one year and serve 200,000 handwashes. Batteries not included.

### 3974-57 OPTIONAL AC ADAPTER

For models B-824 and B-828, includes adapters for most electrical plug outlet configurations.



# Soap Dispensers



## **B-4063 ConturaSeries RECESSED SOAP DISPENSER**

Dispenses all-purpose soaps. Drawn, 20-gauge, one-piece front, satin-finish stainless steel with vessel attached to back. Capacity: 50-fl oz. Pulls out for filling. Concealed locking device.



## **B-4112 ConturaSeries SURFACE-MOUNTED SOAP DISPENSER**

Corrosion-resistant valve dispenses commercially marketed all-purpose hand soaps. Container is satin-finish stainless steel. Capacity: 40-fl oz. Soap refill window. Concealed wall fastening. Hinged filler-top requires special key to open. Vandal-resistant. Unit 7" W, 6 1/8" H; wall to push-button, 3 5/16".



## **B-2111 ClassicSeries SURFACE-MOUNTED SOAP DISPENSER**

Vertical tank is satin-finish stainless steel. Valve dispenses all-purpose hand soaps. Capacity: 40-fl oz. Soap refill window. Concealed wall fastening. Hinged filler-top requires special key to open. Vandal-resistant. Unit 4 3/4" W, 8 1/8" H; wall to push-button, 3 1/2".



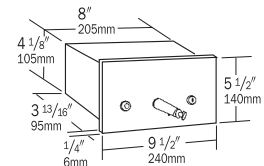
## **B-2112 ClassicSeries SURFACE-MOUNTED SOAP DISPENSER**

Horizontal tank is satin-finish stainless steel. Valve dispenses all-purpose hand soaps. Capacity: 40-fl oz. Soap refill window. Concealed wall fastening. Hinged filler-top requires special key to open. Vandal-resistant. Unit 8 1/8" W, 4 3/4" H; wall to push-button, 3 1/2".



## **4112-79 RETROFIT ALL-PURPOSE VALVE**

Available for Models B-4063, B-4112, B-2111, B-2112 and B-2014. Field-replaceable corrosion-resistant valve dispenses most commercially marketed all-purpose hand soaps. Valve operates with less than 5 lbs. of force.



## **B-306 TrimLineSeries RECESSED SOAP DISPENSER**

Satin-finish stainless steel. Door: 90° return, conceals flange. Vessel on back of door swings open for filling. Hinge and tumbler lock secure door to cabinet. Capacity: 45-fl oz. Valve dispenses all-purpose soaps. Soap refill window.



## **2111-79 SureFlo RETROFIT VALVE**

For Models B-11, B-12, B-111, B-112, B-201, B-2014, B-2111, B-202, B-2024, B-306, B-3067; B-310, B-320 and B-330 Series Combination Units. Valve operates with less than 5 lbs. of force.



# Soap Dispensers



## ⚡B-40 ClassicSeries SURFACE-MOUNTED SOAP DISPENSER



Two-tone black and grey. Valve dispenses all-purpose soaps. Vandal-resistant lid has keyless locking device, pivots up for easy top filling. Translucent container provides visible soap level. Capacity: 40-fl oz. Concealed wall/mirror mounting, removable for cleaning. Unit 5 <sup>13</sup>/<sub>16</sub>" W, 6 <sup>7</sup>/<sub>8</sub>" H; wall to push-button, 3 <sup>3</sup>/<sub>16</sub>".



## ⚡B-42 ClassicSeries SURFACE-MOUNTED SOAP DISPENSER



All-black. Valve dispenses all-purpose soaps. Vandal-resistant lid has keyless locking device, pivots up for easy top filling. Translucent container provides visible soap level. Capacity: 40-fl oz. Concealed wall/mirror mounting, removable for cleaning. Unit 5 <sup>13</sup>/<sub>16</sub>" W, 6 <sup>7</sup>/<sub>8</sub>" H; wall to push-button, 3 <sup>3</sup>/<sub>16</sub>".



## ⚡B-155 ClassicSeries LiquidMate® WALL-MOUNTED SOAP DISPENSER



Corrosion-resistant valve dispenses thin, free-flowing commercially marketed all-purpose hand soaps. Translucent polyethylene container provides visible soap level. 24-fl oz capacity. Unit 4" W, 7 <sup>5</sup>/<sub>8</sub>" H, projects 4 <sup>1</sup>/<sub>8</sub>". Bright-polished, chrome-plated ABS mounting bracket.



## ⚡B-156 ClassicSeries LiquidMate WALL-MOUNTED SOAP DISPENSER



Corrosion-resistant valve dispenses thin, free-flowing commercially marketed all-purpose hand soaps. Translucent polyethylene container provides visible soap level. 24-fl oz capacity. Unit 4" W, 7 <sup>5</sup>/<sub>8</sub>" H, projects 4 <sup>1</sup>/<sub>8</sub>". Beige ABS mounting bracket.



## ⚡B-5050 MatrixSeries SURFACE-MOUNTED SOAP DISPENSER



Impact-resistant polymer; grey color. Valve dispenses all-purpose hand soaps, removable for easy maintenance. Lid has concealed locking device. Concealed wall/mirror mounting. Large-capacity container: 50-fl oz. Unit 6" W, 8 <sup>1</sup>/<sub>8</sub>" H; wall to push-button, 4".

### NOTES:

1. All surface-mounted soap dispensers require 4" minimum clearance above unit for filling.
2. All Bobrick liquid soap dispensers are designed to dispense commercially marketed all-purpose hand soaps including liquid and lotion soaps, synthetic detergents, and antibacterial soaps containing PCMX and/or Triclosan. Bobrick soap dispensers are not designed to dispense alcohol-based hand sanitizers or iodine-based surgical soaps.

# Mirrors



## B-290 SERIES WELDED-FRAME MIRRORS

One-piece, roll-formed  $\frac{3}{4}$ " x  $\frac{3}{4}$ " angle-frame. Type 304 stainless steel angle with satin finish. Corners heliarc welded, ground and polished smooth. Beveled frame edge at mirror. No. 1 quality,  $\frac{1}{4}$ " glass mirror; warranted against silver spoilage for 15 years. Galvanized steel back. Secured to concealed wall hanger with theft-resistant mounting.

MODEL NO.	W	H	MODEL NO.	W	H
<b>B-290 1830</b>	15"	30"	<b>B-290 2448</b>	24"	48"
<b>B-290 1836</b>	18"	36"	<b>B-290 2460</b>	24"	60"
<b>B-290 2430</b>	24"	30"	<b>B-290 2472</b>	24"	72"
<b>B-290 2436</b>	24"	36"			

## B-165 SERIES CHANNEL-FRAME MIRRORS

One-piece,  $\frac{1}{2}$ " x  $\frac{1}{2}$ " x  $\frac{3}{8}$ " channel-frame. Type 430 stainless steel with bright-polished finish. Mitered corners. No. 1 quality,  $\frac{1}{4}$ " glass mirror; warranted against silver spoilage for 15 years. Galvanized steel back. Secured to concealed wall hanger with theft-resistant mounting.

MODEL NO.	W	H	MODEL NO.	W	H
<b>B-165 1824</b>	18"	24"	<b>B-165 2436</b>	24"	36"
<b>B-165 1830</b>	18"	30"	<b>B-165 2448</b>	24"	48"
<b>B-165 2436</b>	24"	36"	<b>B-165 2460</b>	24"	60"
<b>B-165 2430</b>	24"	30"	<b>B-165 4836</b>	48"	36"

## B-292 SERIES WELDED-FRAME MIRROR/SHELF COMBINATION

Same mirror as B-290 Series. Type 304 satin-finish stainless steel shelf. Shelf projects 5", with  $\frac{1}{4}$ " return on front and sides; front return edge hemmed for rigidity and safety. Shelf corners heliarc welded, ground and polished smooth.

MODEL NO.	W	H	MODEL NO.	W	H
<b>B-292 1830</b>	18"	30"	<b>B-292 2436</b>	24"	36"
<b>B-292 1836</b>	18"	36"			

## B-166 SERIES CHANNEL-FRAME MIRROR/SHELF COMBINATION

Same mirror as B-165 Series. Type 304 satin-finish stainless steel shelf. Shelf projects 5" with  $\frac{3}{8}$ " return on front and sides; front return edge hemmed for rigidity and safety.

MODEL NO.	W	H	MODEL NO.	W	H
<b>B-166 1824</b>	18"	24"	<b>B-166 1836</b>	18"	36"
<b>B-166 1830</b>	18"	30"	<b>B-166 2436</b>	24"	36"

## Special-order custom size mirrors:

B-290 Maximum size of one-piece mirror: 144" x 72". Maximum frame size available: 180" x 72" with two pieces of glass. To specify special sizes, use Series Number followed by width and height.

B-292 Maximum frame size available: 96" x 72" with one piece of glass. Maximum size of shelf: 96" furnished as one piece. To specify special sizes, use Series Number followed by width and height.

B-165 Maximum size mirror: 72" x 60". To specify special sizes, use Series Number followed by width and height.

B-166 Maximum size mirror: 24" x 60". Maximum shelf length: 24". To specify special sizes, use Series Number followed by width and height.

# Mirrors

## Standard size tempered glass mirrors:



**B-2908 SERIES**



**B-1658 SERIES**

Tempered glass mirrors resist breakage and provide a measure of safety from broken glass, but differ in color and reflective quality from standard glass mirrors. Bobrick uses the highest quality tempered glass mirrors. Modest distortion or heat-generated markings are normal in the tempered glass mirror manufacturing process. Therefore, Bobrick will not accept returns of tempered glass mirrors with random distortion or markings

### B-2908 SERIES STANDARD SIZE TEMPERED GLASS WELDED-FRAME MIRRORS

- Same frame as B-290 Series
- 1/4" tempered glass mirror

MODEL NO.	W	H
<b>B-2908 1830</b>	18"	30"
<b>B-2908 1836</b>	18"	36"
<b>B-2908 2436</b>	24"	36"

### B-1658 SERIES STANDARD SIZE TEMPERED GLASS CHANNEL-FRAME MIRRORS

- Same frame as B-165 Series
- 1/4" tempered glass mirror

MODEL NO.	W	H
<b>B-1658 1830</b>	18"	30"
<b>B-1658 2436</b>	24"	36"



**B-293**

**B-294**

### B-293 SERIES FIXED-POSITION TILT MIRRORS

Provides visibility for wheelchair users. Frame is type 304 satin-finish stainless steel. Beveled edges of frame hug mirror; providing gapless fit. No. 1 quality, 1/4" glass mirror; warranted against silver spoilage for 15 years. Mirror projects 4" from wall at top and tapers to 1" at bottom.



MODEL NO.	W	H	MODEL NO.	W	H
<b>B-293 1830</b>	18"	30"	<b>B-293 2436</b>	24"	36"
<b>B-293 1836</b>	18"	36"			

### B-294 SERIES ANGLE-FRAME TWO POSITION TILT MIRROR

Tilt forward to provide full visibility for wheelchair users or return to upright position. Frame is 3/4" x 3/4", type 304 satin-finish stainless steel angle. Beveled edges of frame hug mirror; provides gapless fit. No. 1 quality, 1/4" glass mirror; warranted against silver spoilage for 15 years. Top of mirror tilts 7" from wall with self-locking mechanisms; bottom of mirror mounts to wall with full-length stainless steel hinge.

MODEL NO.	W	H
<b>B-294 1830</b>	18"	30"



### B-1556 SERIES FRAMELESS MIRRORS

Bright-polished #8 finish, type 304 stainless steel. Mirror has 1/4" return concealing 1/4" tempered masonite backing. Furnished with four mounting screws.

MODEL NO.	W	H	MODEL NO.	W	H
<b>B-1556 1824</b>	17 1/2"	23 1/2"	<b>B-1556 2436</b>	23 1/2"	35 1/2"
<b>B-1556 1830</b>	17 1/2"	29 1/2"			



### B-942 FRAMELESS MIRROR (FRONT SECURED)

Mirror is 11 1/4" x 17 1/4" overall, 1/4" deep. 18-gauge, type 430 stainless steel with bright-polished finish.



## Special-order custom size mirrors:

- B-293 Maximum size mirror: 36" x 48"
- B-294 Maximum size mirror: 24" x 36"

## Special-order reflective surfaces:

Polished stainless steel, tempered and laminated glass mirrors resist breakage and provide a measure of safety from broken glass, but differ in color and reflective quality from standard glass mirrors. Modest distortion is normal and not a returnable condition. Available on special order.

### POLISHED STAINLESS STEEL

- B-1656 Series Mirrors (up to 60" x 36")
- B-2906 Series Mirrors (up to 60" x 24")

### TEMPERED GLASS

- B-1658 Series Mirrors (up to 72" x 48")
- B-2908 Series Mirrors (up to 120" x 48")

### LAMINATED GLASS

- B-1659 Series Mirrors (up to 72" x 48")
- B-2909 Series Mirrors (up to 84" x 48")

### NOTE:

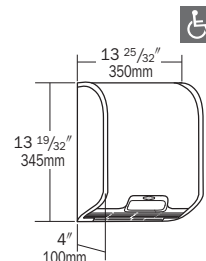
To specify mirrors, use Series Number desired - followed by width and height in inches. Width dimension must be stated first following Series Number. Framed mirrors are manufactured to overall dimensions, as shown in all mirror tables on pages 16 and 17. Overall height of mirror/shelf models includes shelf. Framed mirrors must be installed with width and height dimensions as ordered. Mirror back and wall hanger cannot be installed side ways to reverse width and height dimensions. Provide minimum 3/4" clearance at top of mirror for mounting on wall hanger and 1" clearance on each side.

# Warm Air Hand Dryers



## B-7128 TrimLineSeries ADA SURFACE-MOUNTED HAND DRYER

Durable, 22-gauge galvanized steel with exposed surface, type 304 satin-finish stainless steel cover with black plastic trim, automatic operation, dual air outlets, ⚡115V AC, 15 Amp, 1725 Watts, 50/60 Hz, cULus Listed, or 208–240V AC, 6.8–7.8 Amp, 1400–1900 Watts, 50/60 Hz, cULus Listed, VDE approved, and CE marked.

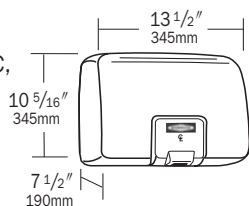


NEW



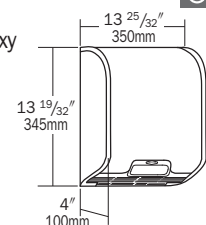
## B-778 QuietDry™ SURFACE-MOUNTED, HIGH-SPEED HAND DRYER

Bright-polished chrome, one-piece aluminum die-cast cover, automatic operation. 115V AC, 12 Amp, 1380 Watts, 50/60 Hz, cULus Listed, 230V AC, 5.5–6.3 Amp, 50/60 Hz, cULus Listed, CE marked, VDE approved.



## B-7120 TrimLineSeries ADA SURFACE-MOUNTED HAND DRYER

Durable, 22-gauge, zinc-plated steel with white epoxy cover with black plastic trim, automatic operation, dual air outlets, ⚡115V AC, 15 Amp, 1725 Watts, 50/60 Hz, cULus Listed, or 208–240V AC, 6.8–27.8 Amp, 1400–1900 Watts, 50/60 Hz, cULus Listed, VDE approved, and CE marked.



NEW



## B-770 QuietDry SURFACE-MOUNTED, HIGH-SPEED HAND DRYER

Similar to B-778, but with high-gloss white epoxy finish. Automatic operation.

### NOTES:

1. When ordering, specify voltage by adding 115V or 230V following model number, example: B-750 115V.
2. B-710 CompacDryer is not designed for vandal-prone installations. For vandal-prone installations, use Bobrick AirCRAFT and B-708 AirGuard dryers with cast-iron vitreous enamel finished covers, B-740 Eclipse dryer with drawn steel, vitreous enamel finished cover, or B-7128 TrimLine Dryer with satin-finish stainless steel cover.
3. Bobrick automatic hand dryers should be installed 15" above any projection or horizontal surface which may interfere with the operation of the automatic sensor.
4. Bobrick dryers comply with EU Directive "Restriction of Hazardous Substances" (RoHS) requirements for non-use of certain hazardous substances in the production of electronic products.

### WARRANTIES:

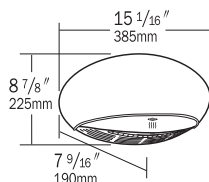
For product warranties and limitations information, see page 35.

# Warm Air Hand Dryers



## B-748 Eclipse® SURFACE-MOUNTED HAND DRYER

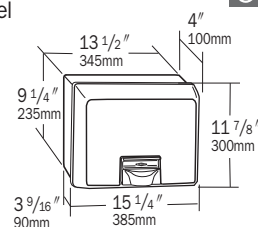
Durable, drawn-steel bright-polished chrome-plated cover, automatic operation, 115V AC, 20 Amp, 2300 Watts, 50/60 Hz, cULus Listed, or 208–240V AC, 9–10 Amp, 1900–2400 Watts, 50/60 Hz, cULus Listed, VDE approved and CE marked.



## B-750 AirCRAFT® ADA RECESSED HAND DRYER

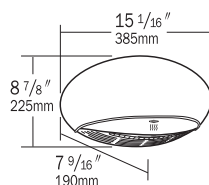


Durable, cast-iron with white vitreous enamel finish, automatic sensor, 115V AC, 20 Amp, 2300 Watts, 50/60 Hz, cULus Listed, or 208–240V AC, 9–10 Amp, 1900–2400 Watts, 50/60 Hz, cULus Listed, VDE approved and CE marked.



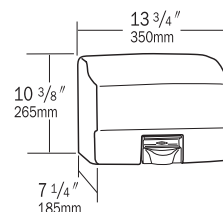
## B-740 Eclipse SURFACE-MOUNTED HAND DRYER

Durable, drawn-steel white vitreous enamel cover, automatic operation, 115V AC, 20 Amp, 2300 Watts, 50/60 Hz, cULus Listed, or 208–240V AC, 9–10 Amp, 1900–2400 Watts, 50/60 Hz, cULus Listed, VDE approved and CE marked.



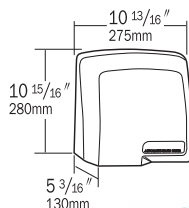
## B-700 AirCRAFT SURFACE-MOUNTED HAND DRYER

Cast-iron with white vitreous enamel finish, automatic operation, 115V AC, 20 Amp, 2300 Watts, 50/60 Hz, cULus Listed, or 208–240V AC, 9–10 Amp, 1900–2400 Watts, 50/60 Hz, cULus Listed, VDE approved and CE marked.



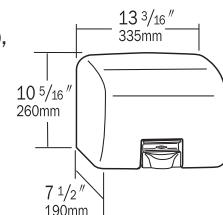
## B-710 CompacDryer™ SURFACE-MOUNTED HAND DRYER

One-piece grey-molded plastic cover, automatic operation, 115V AC, 15 Amp, 1725 Watts, 60 Hz, cULus Listed.



## B-708 AirGuard™ SURFACE-MOUNTED HAND DRYER

Durable, cast-iron with white vitreous enamel cover, automatic operation, 115V AC, 20 Amp, 2300 Watts, 50/60 Hz, cULus Listed.





# Toilet Tissue Dispensers



**B-4388 ConturaSeries RECESSED MULTI-ROLL TOILET TISSUE DISPENSER**  
Satin-finish stainless steel unit and dispensing mechanism. Flush tumbler lock. Holds two rolls up to 5 1/4" dia. (1800 sheets). Extra roll drops in place when bottom roll is depleted. Theft-resistant, heavy-duty spindles.



**B-667**

**B-697**

**B-699**

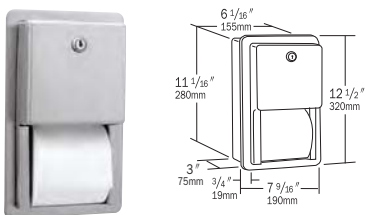
## 600 SERIES RECESSED TOILET TISSUE DISPENSER



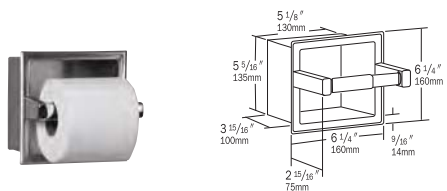
Type 304 stainless steel with one-piece seamless construction. Choice of finish: bright-polished or satin. Chrome-plated plastic spindles hold rolls up to 5 1/8" dia. (1500 sheets). Choice of capacity: single-roll models measure 6 1/8" W, 6 1/8" H; double-roll models measure 12 5/16" W, 6 1/8" H. Mounting: clamps for securing to stud walls or countertop aprons.

Model No.	Capacity		Finish		Stainless Steel Hoods
	1 Roll	2 Rolls	Bright	Satin	
B-667	✓		✓		
B-6677	✓			✓	
B-6697	✓			✓	✓
B-697		✓	✓		
B-6977		✓		✓	
B-699		✓	✓		✓
B-6997		✓		✓	✓

\*Theft-Resistant Spindle (Part No. 283-604), option for all models, pg. 22.



**B-3888 ClassicSeries RECESSED MULTI-ROLL TOILET TISSUE DISPENSER**  
Satin-finish stainless steel unit and dispensing mechanism. Door has flat face with protruding tumbler lock. Holds two rolls up to 5 1/4" dia. (1800 sheets). Extra roll drops in place when bottom roll is depleted. Theft-resistant, heavy-duty spindles.



## B-6637 RECESSED TOILET TISSUE DISPENSER WITH STORAGE SPACE FOR EXTRA ROLL



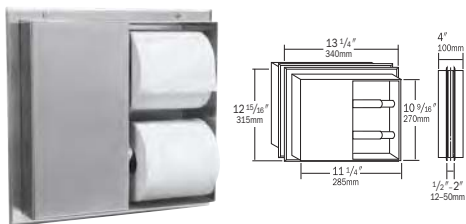
Satin-finished stainless steel. Plastic spindle holds rolls up to 5 1/8" dia. (1500 sheets).

Theft-resistant Spindle (Part No. 283-604) available as an option for above model, see page 22.

## B-4288 ConturaSeries SURFACE-MOUNTED MULTI-ROLL TOILET TISSUE DISPENSER



Satin-finish stainless steel unit with stainless steel dispensing mechanism. Flush tumbler lock. Holds two rolls up to 5 1/4" dia. (1800 sheets). Extra roll automatically drops in place when bottom roll is depleted. Theft-resistant, heavy-duty spindles. Unit 6 1/16" W, 11" H, 5 15/16" D.



## B-386 PARTITION-MOUNTED MULTI-ROLL TOILET TISSUE DISPENSER (SERVES 2 COMPARTMENTS)



Satin-finish stainless steel. Mounts centered through toilet partitions, 1/2"-2" thick; used from both sides. Holds four standard core toilet tissue rolls up to 5 1/8" dia.; two for each side. Chrome-plated plastic spindles with heavy-duty internal springs.

Theft-Resistant Spindle (Part No. 283-604) available as an option for above model, see page 22.

## B-2888 ClassicSeries SURFACE-MOUNTED MULTI-ROLL TOILET TISSUE DISPENSER



Satin-finish stainless steel unit with stainless steel dispensing mechanism. Door has flat face with protruding tumbler lock. Holds two rolls up to 5 1/4" dia. (1800 sheets). Extra roll automatically drops in place when bottom roll is depleted. Theft-resistant, heavy-duty spindles. Unit 6 1/16" W, 11" H, 5 15/16" D.





# Toilet Tissue Dispensers



**⚡B-2892 ClassicSeries SURFACE-MOUNTED TWIN JUMBO-ROLL TOILET TISSUE DISPENSER** 

Satin-finish stainless steel. Equipped with tumbler lock. Spindles hold two 10" dia. rolls with 2 1/4" dia. core rolls; convertible for 3" dia. core rolls. Sliding access panel exposes one roll at a time, allows easy roll change-over. Wide viewing slot in door. Quick reloading. Unit 20 13/16" W, 11 3/8" H, 5 5/16" D.



**⚡B-5288 MatrixSeries SURFACE-MOUNTED MULTI-ROLL TOILET TISSUE DISPENSER** 

Durable ABS plastic; grey color. Two-roll dispensing mechanism for rolls up to 5 3/4" dia. (2000 sheets). Extra roll easily shifts into place when bottom roll is depleted. Concealed locking device. Unit 6 1/4" W, 13 1/2" H, 6 7/8" D.



**B-2890 SINGLE JUMBO-ROLL SURFACE MOUNTED TOILET TISSUE DISPENSER** 

Satin-finish type 304 stainless steel. Equipped with tumbler lock. Spindle holds one 10" dia. roll with 1 5/8" dia. core. Convertible for 2 1/4" and 1 5/8" dia. core rolls. Powder-coated mounting plate. Slot reveals tissue supply. Unit 10 5/8" W, 10 5/8" H, 4 1/2" D.



**B-6699 SURFACE-MOUNTED TOILET TISSUE DISPENSER WITH HOOD FOR SINGLE ROLL** 

Bright-polished stainless steel. Hood protects paper. Chrome-plated plastic spindle holds rolls up to 5 1/8" dia. (1500 sheets). Unit 6 3/16" W, 6 3/16" H; hood projects 4 3/4" from wall with full roll in place.

**B-66997** Similar to B-6699, but with satin finish.

**B-6999 TOILET TISSUE DISPENSER WITH HOODS FOR TWO ROLLS**  
Bright-polished finish. Unit 12 3/8" W, 6 3/16" H; hoods project 4 3/4" from wall with full roll in place.

**B-69997** Similar to B-6999, but with satin finish.



**B-2740**



**B-2730**

**⚡B-2740 ClassicSeries SURFACE-MOUNTED TOILET TISSUE DISPENSER FOR TWO ROLLS** 

Cast aluminum, satin finish. Plastic spindles, concealed locking device; theft-resistant. Holds two rolls up to 6" dia. (2000 sheets). Unit 12 1/2" wide, projects 4 7/8" from wall. No controlled delivery.

**⚡B-274** Similar to B-2740, with controlled delivery.

**⚡B-2730 SINGLE ROLL TOILET TISSUE DISPENSER** 

Unit 6 1/2" wide. No controlled delivery.

**⚡B-273** Similar to B-2730, with controlled delivery.



**B-543 Cubicle Collection SURFACE-MOUNTED SINGLE ROLL TOILET TISSUE DISPENSER**

Satin-finish stainless steel. Threaded flange conceals mounting plate, provides snug fit to the wall. Accepts standard-core size from 3/4" up to 1 1/2" and 4" wide. Set screw in post prevents vandalism. Flange width 2". Overall width 5 1/2". Height 4 1/2". Unit projects 1 5/8" from wall.

See page 25 for the complete Cubicle Collection.



**B-541 Cubicle Collection SPARE TOILET ROLL HOLDER**

Satin-finish stainless steel. Threaded flange conceals mounting plate, provides snug fit to the wall. Vertical post accommodates one roll up to 5" dia. and a core size from 3/4" to 1 1/2". Flange width 2". Overall height 8". Unit projects 3 1/2" from wall.

See page 25 for the complete Cubicle Collection.

# Toilet Tissue Dispensers



**B-686**

**B-685**

**B-685 SURFACE-MOUNTED TOILET TISSUE DISPENSER FOR SINGLE ROLL** 

Bright-polished stainless steel. Support-arm flanges lock to concealed stainless steel wall plate. Chrome-plated plastic spindle holds rolls up to 5 1/2" dia. (1800 sheets). Unit 7 1/4" W, 2" H; projects 3 15/16" from wall.

**B-6857** Similar to B-685, but with satin finish.

**B-7685 ClassicSeries SURFACE-MOUNTED TOILET TISSUE DISPENSER FOR SINGLE ROLL** 

Bright-polished stainless steel. Unit 7 1/4" W, 2" H; projects 3 15/16" from wall.

**B-76857** Similar to B-7685, but with satin finish.

**B-686 SURFACE-MOUNTED TOILET TISSUE DISPENSER FOR TWO ROLLS** 

Bright-polished stainless steel. Support-arm flanges lock to concealed stainless steel wall plate. Chrome-plated plastic spindle holds rolls up to 5 1/2" dia. (1800 sheets). Unit 12 1/2" W, 2" H; projects 3 15/16" from wall.

**B-6867** Similar to B-686, but with satin finish.

**B-7686 ClassicSeries SURFACE-MOUNTED TOILET TISSUE DISPENSER FOR TWO ROLLS** 

Bright-polished stainless steel. Unit 12 1/2" W, 2" H; projects 3 15/16" from wall.

**B-76867** Similar to B-7686, but with satin finish.

Theft-Resistant Spindle (Part No. 283-604) available as an option for above models, see below.



**B-264 ClassicSeries SURFACE-MOUNTED VANDAL-RESISTANT TOILET TISSUE DISPENSER FOR SINGLE ROLL**

Bright-polished chrome-plated steel. Self-locking mechanism. Controlled delivery. Accommodates one standard-core toilet tissue roll up to 4 1/2" dia.. Roll cannot be removed from dispenser until empty. Unit 6" W, 2 3/4" H; projects 4 1/4" from wall.



**B-265 ClassicSeries SURFACE-MOUNTED VANDAL-RESISTANT TOILET TISSUE DISPENSER FOR TWO ROLLS**

Bright-polished chrome-plated steel. Self-locking mechanism. Controlled delivery. Accommodates two standard-core toilet tissue rolls up to 4 1/2" dia.. Rolls cannot be removed from dispenser until empty. Unit 12 1/4" W, 2 3/4" H; projects 4 1/4" from wall.



**B-27460 SURFACE-MOUNTED TOILET TISSUE DISPENSER FOR TWO ROLLS** 

Vandal-resistant unit: heavy-duty cast aluminum, satin finish. Tumbler lock secures spindles in place. High-impact plastic spindles hold rolls up to 6" dia. (2000 sheets). Unit 14 1/8" wide, projects 5 1/4" from wall. No controlled delivery.

**B-2746** Similar to B-27460, with controlled delivery.



**B-2840 SURFACE-MOUNTED TOILET TISSUE DISPENSER WITH SHELF** 

Satin-finish stainless steel. Shelf has 1/2" returns, hemmed front edge. Chrome-plated plastic spindles hold rolls up to 5 1/2" dia. (1800 sheets). Unit 16" W, 4" H, 5" D.

Theft-Resistant Spindle (Part No. 283-604) available as an option for above model, see below.



**283-604 THEFT-RESISTANT SPINDLE**

Molded plastic spindle with concealed locking feature is available as an option or replacement part for Bobrick surface-mounted and recessed toilet tissue dispensers. After rolls are depleted, spindle is removed with special key furnished; theft-resistant.



**B-272 SURFACE-MOUNTED TOILET TISSUE CABINET**

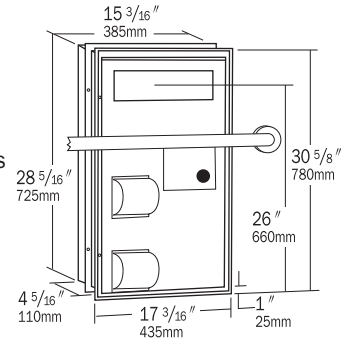
Satin-finish stainless steel. Equipped with tumbler lock; vandal-resistant. Dispenses either single- or double-fold toilet tissue. Large capacity: 1330 singlefold tissues. Slots in cabinet indicate refill time. May be refilled with full standard pack before dispenser is empty. Unit 5" W, 8 15/16" H, 3" D.

# Toilet Compartment Accessories



Dimensions typical for all partition-mounted models with toilet-seat-cover dispensers.

Cut-outs in partitions for accessories can be pre-cut at factory if location and size of cutouts are specified and orders for both partitions and accessories are received together.




**B-357**





**B-3471**


**B-357 ClassicSeries PARTITION-MOUNTED SEAT-COVER DISPENSER, SANITARY NAPKIN DISPOSAL AND TOILET TISSUE DISPENSER**

Mounts centered through toilet partition. Used from both sides, serviced from one side. Capacity: 0.8-gal. Holds 500 toilet seat covers and two rolls of tissue for each compartment. Theft-resistant spindles.

**B-3571** Similar to B-357, but one side mounts flush against partition of Accessible Toilet Compartment to allow clearance for grab bar. Unit mounts on right side of toilet (when seated) with tissue dispensers on left side. 

**B-35715** Similar to B-3571. Unit mounts on left side of toilet (when seated) with tissue dispensers on right side. 


**B-3574** Similar to B-3571, but for recessed installation in side wall of single compartment. Unit mounts on left side of toilet (when seated) with tissue dispensers on right side. Holds 500 toilet seat covers and two rolls of tissue. 

**B-35745** Similar to B-3574. Unit mounts on right side of toilet (when seated) with tissue dispensers on the left side. 


**B-3579** Similar to B-3574, but with stainless steel skirt for surface mounting.


**B-3471 ClassicSeries PARTITION MOUNTED SEAT-COVER AND TOILET TISSUE DISPENSER** 

One side mounts flush against partition of Accessible Toilet Compartment to allow clearance for grab bar. Unit mounts on right side of toilet (when seated) with tissue dispensers on left side. Used from both sides, serviced from one side. Holds 500 toilet seat covers and two rolls of tissue for each compartment. Theft-resistant spindles.

**B-34715** Similar to B-3471. Unit mounts on left side of toilet (when seated) with tissue dispensers on the right side. 

**B-347** Similar to B-3471, but mounts centered through toilet partition. Used from both sides, serviced from one side.

**B-3474** Similar to B-3471, but for recessed installation in side wall of single compartment. Unit mounts on left side of toilet (when seated) with tissue dispensers on right side. Holds 500 toilet seat covers and two rolls of tissue. 

**B-34745** Similar to B-3474. Unit mounts on right side of toilet (when seated) with tissue dispensers on the left side. 

**B-3479** Similar to B-3474, but with stainless steel skirt for surface mounting.

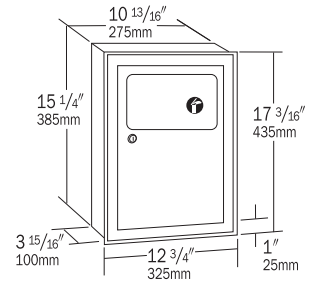
**NOTES:**

1. Partition-mounted models B-347, B-3475, B-3471, B-34715, B-357, B-3575, B-3571, B-35715 mount through partitions 1/2" to 2" thick, serving two compartments.
2. Toilet tissue dispensers hold 5 1/4" dia., 1800-sheet rolls.
3. Flanges are one-piece seamless construction, doors secured with full-length stainless steel hinges, and tumbler locks are keyed like other Bobrick models.
4. Constructed of type 304 stainless steel throughout with satin finish on all exposed surfaces; welded construction.
5. Theft-resistant spindles included.
6. When combination units are mounted in an Accessible Toilet Compartment partition, the unit's location in the adjoining toilet compartment must permit the unit's complete operation, allowing the unit's door to swing clear of the toilet when custodians service the unit.

**Cabinet Placement in Toilet Compartments.**

Model	Mounting Side of Unit When Seated	Side of Toilet Tissue Dispenser When Facing Unit
B-357 B-347 B-3579 B-3479	Right or Left	Right or Left
B-3571	Right	Left
B-35715	Left	Right
B-3471	Right	Left
B-34715	Left	Right
B-3574	Left	Right
B-35745	Right	Left
B-3474	Left	Right
B-34745	Right	Left

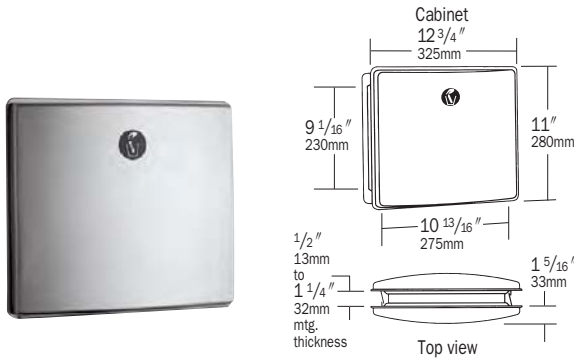
# Sanitary Napkin Disposals



## ⚡ B-353 ClassicSeries RECESSED SANITARY NAPKIN DISPOSAL



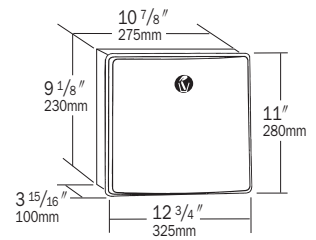
Satin-finish stainless steel. Seamless beveled flange. Door has tumbler lock. Self-closing panel covers disposal opening. Removable, leak-proof, 1.2-gal. plastic receptacle.



## B-4354 ConturaSeries PARTITION-MOUNTED SANITARY NAPKIN DISPOSAL



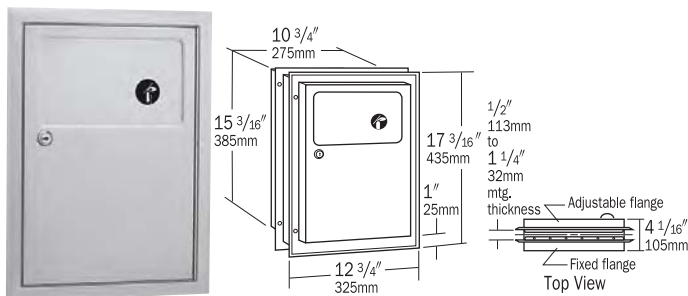
Satin-finish stainless steel. Mounts in toilet partition 1/2–1 1/4" thick. Self-closing doors pull down with less than 5 lbs of force for access to disposal. Removable, leak-proof, 0.7-gal. plastic receptacle.



## B-4353 ConturaSeries RECESSED SANITARY NAPKIN DISPOSAL



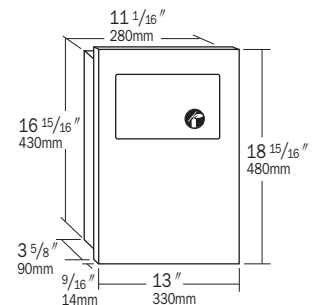
Satin-finish stainless steel. Self-closing door pulls down for access to plastic receptacle. Furnished with removable, leak-proof, 1.2-gal. plastic receptacle.



## ⚡ B-354 ClassicSeries PARTITION-MOUNTED SANITARY NAPKIN DISPOSAL



Satin-finish stainless steel. Mounts in partitions 1/2–1 1/4" thick. Self-closing panels cover openings. Removable, leakproof, 1.2-gal. plastic receptacle.

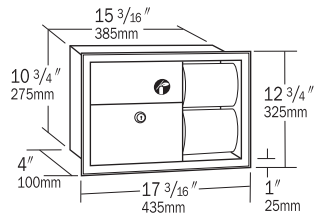


## B-35303 TrimLineSeries RECESSED SANITARY NAPKIN DISPOSAL



Satin-finish stainless steel. Door has 90° return, conceals flange. Self-closing panel covers disposal opening. Removable, leak-proof, 1.2-gal. plastic receptacle.

# Sanitary Napkin Disposals/Cubicle Collection



## **B-3094 ClassicSeries RECESSED SANITARY NAPKIN DISPOSAL AND TOILET TISSUE DISPENSER**



Satin-finish stainless steel. Disposal door is self-closing. Receptacle retained in cabinet by tumbler lock. Capacity:  $\frac{3}{4}$ -gal. Holds two rolls up to 5  $\frac{1}{4}$ " dia. (1800 sheets).

Theft-Resistant Spindle (Part No. 283-604) available as an option for above model, see page 22.



## **B-254 ClassicSeries SURFACE-MOUNTED SANITARY NAPKIN DISPOSAL**



Satin-finish stainless steel. Door has tumbler lock. Self-closing panel covers disposal opening. Removable, leak-proof, 1.2-gal. plastic receptacle. Unit 10  $\frac{1}{4}$ " W, 15  $\frac{1}{8}$ " H, 4  $\frac{1}{16}$ " D.



## **B-270 ConturaSeries SURFACE-MOUNTED SANITARY NAPKIN DISPOSAL**



Satin-finish stainless steel. Cover is drawn, one-piece construction; secured to cabinet with full-length stainless steel piano-hinge. Capacity: 1-gal. Unit 7  $\frac{1}{2}$ " W, 10" H, 3  $\frac{13}{16}$ " D.



## **B-5270 MatrixSeries SURFACE-MOUNTED SANITARY NAPKIN DISPOSAL**



Durable ABS plastic; grey color. Lid features fingertip handles for easy access. Capacity: 1.3-gal. Unit 9  $\frac{1}{4}$ " W, 11  $\frac{3}{8}$ " H, 3  $\frac{7}{8}$ " D.



## Cubicle Collection

Design-integrated toilet compartment accessories are ideal for Class A and executive restrooms.

- B-541 SPARE TOILET ROLL HOLDER** See page 21.
- B-542 COAT HOOK** See page 31.
- B-543 SINGLE ROLL TOILET TISSUE DISPENSER** See page 21.
- B-544 TOILET BRUSH HOLDER** See page 32.
- B-545 TOWEL BAR** See page 28.



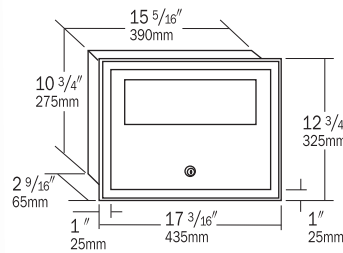
# Toilet Seat Cover Dispensers



## **B-4221 ConturaSeries** SURFACE-MOUNTED SEAT-COVER DISPENSER



Satin-finish stainless steel. Dispenses 500 single- or half-fold toilet seat covers. Allow 5" minimum clearance from bottom of dispenser to top of any horizontal projection for filling dispenser from bottom of unit. Unit 15 3/4" W, 11 1/4" H, 2 1/16" D.



## **B-301 ClassicSeries** RECESSED SEAT-COVER DISPENSER

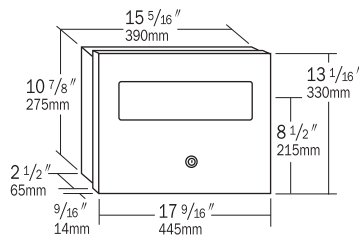


Satin-finish stainless steel. Seamless beveled flange. Dispenses 500 toilet seat covers.

## **B-221 ClassicSeries** SURFACE-MOUNTED SEAT-COVER DISPENSER



Satin-finish stainless steel. Dispenses 500 single- or half-fold toilet seat covers. Allow 5" minimum clearance from bottom of dispenser to top of any horizontal projection for filling dispenser from bottom of unit. Unit 15 3/4" W, 11" H, 2" D.



## **B-3013 TrimLineSeries** RECESSED SEAT-COVER DISPENSER



Satin-finish stainless steel. Door has 90° return, conceals flange. Dispenses 500 toilet seat covers.

## **B-5221 MatrixSeries** SURFACE-MOUNTED SEAT-COVER DISPENSER



Durable ABS plastic; grey color. Dispenses 500 single- or half-fold toilet seat covers. Allow 5" minimum clearance from bottom of dispenser to top of any horizontal projection for filling dispenser from bottom of unit. Unit 16 1/8" W, 11 1/2" H, 2 1/2" D.



# Grab Bars



## Configurations, Dimensions, Finishes:



### 1 1/2" DIA. STRAIGHT/SATIN

- B-6806x12"
- ⚡ B-6806x18"
- ⚡ B-6806x24"
- ⚡ B-6806x30"
- ⚡ B-6806x36"
- ⚡ B-6806x42"
- ⚡ B-6806x48"



### 1 1/4" DIA. STRAIGHT/SATIN

- ⚡ B-5806x18"
- ⚡ B-5806x24"
- ⚡ B-5806x30"
- ⚡ B-5806x36"
- ⚡ B-5806x42"
- ⚡ B-5806x48"

### 1 1/2" DIA. STRAIGHT/PEENED

- ⚡ B-6806.99x18"
- ⚡ B-6806.99x24"
- ⚡ B-6806.99x30"
- ⚡ B-6806.99x36"
- ⚡ B-6806.99x42"

### 1 1/4" DIA. STRAIGHT/PEENED

- ⚡ B-5806.99x18"
- ⚡ B-5806.99x24"
- ⚡ B-5806.99x30"
- ⚡ B-5806.99x36"
- ⚡ B-5806.99x42"

## Concealed Mounting with Snap Flange:

- Constructed of 18-gauge, type 304 satin-finish stainless steel tubing in 1 1/4" and 1 1/2" dia..
- Concealed mounting flange 1/8" thick, type 304 stainless steel plate, 2" W, 3 1/8" H, with screw holes for concealed anchors.
- Cover is 22-gauge, type 304 stainless steel with satin finish, 3 1/4" dia..
- Cover snaps over mounting flange to conceal screws.
- Peened nonslip gripping surface available.



SERIES	DIAMETER	FINISH
B-6806*	1 1/2"	Satin Finish
B-5806*	1 1/4"	Satin Finish

\*Peened nonslip gripping surface available. Add suffix .99 to model number.

## Optional Mounting Kits:

Order one per flange. Part No. ⚡252-30 sheet-metal screws.

## Optional Anchor Devices:

Order one per flange. Part No. 2583 anchors for 3/4" to 1" panels; 2586 anchors for 1/2" panels.



## ⚡251-4 WingIt™ GRAB BAR FASTENER

For 2 1/2" and 3 1/2" or deeper hollow walls with finished wall surfaces 1/4" to 1 1/2" thick. One fastener required for each flange. Corrosion-resistant stainless steel. Install grab bars without backing. The fastener will support 300 lbs load.

WingIt™ is a trademark of WingIt Innovations, LLC.



### TWO-WALL TUB/ SHOWER TOILET COMPT.

- 24" W x 36" D
- 1 1/2" Dia.
- B-68616 Satin
- B-68616.99 Peened
- 1 1/4" Dia.
- B-58616 Satin
- B-58616.99 Peened



### TWO-WALL TUB/ SHOWER/TOILET COMPT.

- 36" W x 54" D
- 1 1/2" Dia.
- ⚡ B-68137 Satin
- B-68137.99 Peened
- 1 1/4" Dia.
- B-5837 Satin
- B-5837.99 Peened



### TWO-WALL SHOWER

- 15 7/8" W x 30 7/8" D
- 1 1/2" Dia.
- ⚡ B-6861 Satin
- B-6861.99 Peened



### TWO-WALL TOILET COMPT.

- 42" W x 54" D
- 1 1/2" Dia.
- ⚡ B-6897 Satin
- B-6897.99 Peened
- 1 1/4" Dia.
- B-5897 Satin
- B-5897.99 Peened



### SWING UP

- 29" L
- 1 1/4" Dia.
- B-4998 Satin
- B-4998.99 Peened

# Bathroom Accessories



## B-680 SURFACE-MOUNTED SOAP DISH

Bright-polished stainless steel. Drawn, one-piece soap dish welded to support arm and flange. Two ridges hold soap; two drain holes. Unit 4 1/4" W, 2" H; projects 3 3/8" from wall.

**B-6807** Similar to B-680, but with satin finish.



## B-8397 SURFACE-MOUNTED TISSUE DISPENSER

Dispenses one pack of 100 two-ply facial tissues. Cabinet type 304 stainless steel, satin finish. Equipped with concealed locking device; opens with key provided. Concealed wall plate is 22-gauge, type 304 stainless steel. Unit 10 1/4" W, 5 3/16" H, 2 1/4" D.



## B-687 SURFACE-MOUNTED DOOR BUMPER

Bright-polished stainless steel. Flange is 2" x 2". Black nylon post with black neoprene bumper. Projects 2 1/8" from wall.



## B-673 SURFACE-MOUNTED TOWEL BAR

Bright-polished stainless steel. 3/4" square towel bar. Available in 18" and 24" lengths. Projects 3 1/4" from wall.

**B-6737** Similar to B-673, but with satin finish. 24" length.



## B-674 SURFACE-MOUNTED TOWEL BAR

Bright-polished stainless steel. Round 3/4" dia. towel bar. Available in 18" and 24" lengths. Projects 3 1/4" from wall.

**B-6747** Similar to B-674, but with satin finish. 24" length.



## B-683 SURFACE-MOUNTED TOILETRY SHELF

Bright-polished stainless steel. 24" length. Shelf 4 3/4" wide, projects 5 3/4" from wall. Edges are roll-formed for safety.



## B-530 EXTRA-HEAVY-DUTY SURFACE-MOUNTED TOWEL BAR

Satin-finish stainless steel, 18-gauge, 1" dia. bar with snap-flange mounting. Withstands 900 lbs downward pull when properly installed. Available in 18" and 24" lengths.



**NEW**



## B-676 SURFACE-MOUNTED TOWEL SHELF/ TOWEL BAR

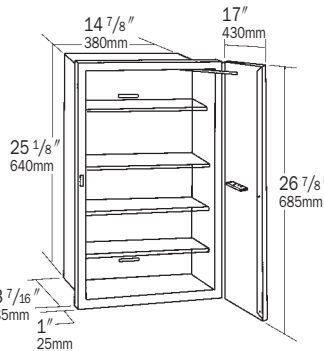
Bright-polished stainless steel. Shelf 6 1/4" wide, four 5/16" square tubes. 5/16" square towel bar below shelf. 24" length. Projects 8 1/2" from wall.

## B-545 Cubicle Collection SURFACE-MOUNTED TOWEL BAR

Satin-finish stainless steel. Threaded 2" dia., flanges conceal mounting plates, available in 18" and 24" lengths. Projects 1 5/16" from wall.

See page 25 for the complete Cubicle Collection.

# Shower/Tub Accessories



**B-398**  
Unit combines adjustable shelves, mirror, used razor blade slot, and toothbrush holder.

## **B-398 RECESSED MEDICINE CABINET**

Type 304 stainless steel, satin finish. Mirror: No. 1 quality, 1/4" glass electrolytically copper-plated. 15-year guarantee against silver spoilage. Door has full-length stainless steel piano-hinge, magnetic catch and cable doorstop. Four adjustable stainless steel shelves. Cabinet may be inverted for right- or left-hand door swing.



**B-299** Surface-Mounted Medicine Cabinet Similar to B-398. Unit 17" W, 26 7/8" H, 5" D.

## **B-397 RECESSED MEDICINE CABINET**

All-steel cabinet with baked white enamel finish. Three adjustable plastic shelves. Mirror: No. 1 quality, 1/4" glass electrolytically copper-plated. Door has enameled steel piano-hinge and magnetic catch. Door is 15 1/2" W, 25 7/8" H.



## **B-297 SURFACE-MOUNTED MEDICINE CABINET**

All-steel cabinet and two fixed shelves with baked white enamel finish. Mirror: No. 1 quality, 1/8" glass electrolytically copper-plated. Door has enameled steel piano-hinge and magnetic catch. Door is 14 1/8" W, 20 1/4" H. Unit 3 3/4" deep.



2 1/2" Square Flange for B-6047 and B-6107



## **B-6047 ClassicSeries EXTRA HEAVY-DUTY SHOWER CURTAIN ROD**

Type 304 stainless steel, satin finish. 18-gauge, 1 1/4" dia. rod. Flanges are 2 1/2" square. Available in 36", 48", 60", 72" lengths.

## **B-6107 ClassicSeries HEAVY-DUTY SHOWER CURTAIN ROD**

Similar to B-6047, but with 20-gauge, 1" dia. rod. Available in 36", 48", 60", 72" lengths.



## **B-207 SHOWER CURTAIN ROD WITH CONCEALED MOUNTING**

1" dia. rod is 20-gauge, type 304 stainless steel, satin finish. 1 3/8" dia. flanges are chrome-plated plastic, bright-polished finish; mount on concealed wall brackets. Available in 36", 48", 60", 72" lengths.



## **204-2 VINYL SHOWER CURTAIN**

Opaque, matte white vinyl, 0.008" thick, contains anti-bacterial and flame-retardant agents. Nickel-plated brass grommets along top, one every 6". Bottom and sides are hemmed. Curtain 42" W, 72" H. Requires 7 hooks (not included).



**204-3** Similar to 204-2, but curtain is 70" W, 72" H. Requires 12 hooks (not included).



**204-1 SHOWER CURTAIN HOOK** Type 304 stainless steel for use on 1" and 1 1/4" dia. shower curtain rods.

# Shower/Tub Accessories



## **B-4390 RECESSED HEAVY-DUTY SOAP DISH AND BAR**



Type 304 stainless steel, matte polished finish. Mounting clamp for stud walls. Unit 7 <sup>3</sup>/<sub>16</sub>" W, 5" H.

**B-4380** Similar to B-4390, but without bar.



## **B-518 FOLDING SHOWER SEAT**



Complies with ADA Accessible Design Guidelines. Foam-padded, white, water-resistant Naugahyde seat 1 <sup>1</sup>/<sub>2</sub>" thick, with enclosed <sup>1</sup>/<sub>2</sub>" plywood base. Frame and supports up to 360 lbs when properly installed. Seat 32 <sup>7</sup>/<sub>8</sub>" wide, projects 22 <sup>11</sup>/<sub>16</sub>" from wall. Left-hand seat shown.

**B-517** Similar to B-518, but with right-hand seat.



## **B-5191 FOLDING SHOWER/DRESSING AREA SEAT**



Complies with ADA Accessible Design Guidelines. Compact design. Seat is constructed of durable, water-resistant, ivory-colored, <sup>5</sup>/<sub>16</sub>" thick solid phenolic. Frame and mounting bracket are type 304 stainless steel and feature self-locking mechanism. Supports up to 450 lbs when properly installed. Seat 18" wide, projects 15 <sup>13</sup>/<sub>16</sub>" from wall.



**Folded Down**



**Folded Up**

## **B-5181 REVERSIBLE FOLDING SHOWER SEAT**



Complies with ADA Accessible Design Guidelines. Seat is constructed of durable, water-resistant, ivory-colored <sup>1</sup>/<sub>2</sub>" thick solid phenolic. Reversible for left- or right-hand field installation. Frame and mounting brackets are type 304 stainless steel with self-locking mechanism. Supports up to 360 lbs when properly installed. Seat 33" wide, projects 22 <sup>5</sup>/<sub>16</sub>" from wall. Left-hand seat shown.



### **CAUTION NOTE:**

When properly installed and maintained, these seats have the sufficient strength to support a single user to maximum static load specified. In the interests of safety and the protection of the end users, the seats should not be used to support weights exceeding the specified weight limits. Failure to abide by this warning may result in seats malfunctioning, potentially causing minor to moderate injury.

### **B-5191 FOLDING SHOWER/DRESSING AREA SEAT**

**Maximum static load of 450 lbs.** Total weight on seat must not exceed 450 lbs. These seats are no stronger than the anchors and walls to which they are attached and therefore must be firmly secured in order to support the loads for which they are intended. Consult and comply with local building codes.

### **B-517, B-518, B-5181 REVERSIBLE FOLDING SHOWER SEATS - Maximum static load of 360 lbs.**

**Total weight on seat must not exceed 360 lbs.** These seats are available in other colors on special order. See Bobrick Compact Laminate Color Guide.

# Hooks/Shelves/Custodial Accessories



## ⚡ B-670 UTILITY HOOK

Bright-polished stainless steel. For robes, shoe-shine cloth, and sanitary napkin disposal bag. Flange is 2" x 2". Hook 1/2" wide, projects 2" from wall.

⚡ B-6707 Similar to B-670, but with satin finish.



## B-677 TOWEL PIN

Bright-polished stainless steel. Flange is 2" x 2". Projects 3 3/8" from wall.

B-6777 Similar to B-677, but with satin finish.



## ⚡ B-671 SINGLE ROBE HOOK

Bright-polished satin finish. Flange is 2" x 2". Hook is 1 1/4" H, 1 1/4" W. Projects 2" from wall.

⚡ B-6717 Similar to B-671, but with satin finish.

**B-7671 SINGLE ROBE HOOK** Similar to B-671, but hook is 1 5/8" H, 1 3/16" W. Projects 1 5/8" from wall.

**B-76717** Similar to B-7671, but with satin finish.



## ⚡ B-212 CLOTHES HOOK AND BUMPER

Solid aluminum casting, matte finish. Rubber bumper protects wall or partition surfaces. Projects 3 3/4" from wall.



## B-672 DOUBLE ROBE HOOK

Bright-polished satin finish stainless steel. Contoured 4" wide bar forms hook at each end. Flange is 2" x 2". Projects 2 5/16" from wall.

⚡ B-6727 Similar to B-672, but with satin finish.

⚡ B-7672 DOUBLE ROBE HOOK Similar to B-672, but contoured hook is 3 15/16" wide. Projects 1 7/8" from wall.

**B-76727** Similar to B-7672, but with satin finish.



## ⚡ B-233 CLOTHES HOOK

11-gauge, type 304 stainless steel, satin finish. Hook is 1 1/4" x 1 1/4" and projects 1 1/8" from wall. Unit is 2 1/4" H.



## B-542 Cubicle Collection COAT HOOK

Satin-finish stainless steel. Threaded flange conceals mounting plate, provides snug fit to the wall. Flange has 1 15/16" dia.. Hook is 1/2" H. Projects 1 5/16" from wall.

See page 25 for the complete Cubicle Collection.



# Hooks/Shelves/Custodial Accessories



**B-2116**



**B-211**

**⚡B-2116 HEAVY-DUTY CLOTHES HOOK WITH CONCEALED MOUNTING**



Locks to wall plate with three stainless steel setscrews for theft-resistant mounting. Hook and flange are one-piece brass casting with satin nickel-plated finish to match stainless steel. Withstands 300 lbs downward pull. Flange dia.: 2 3/4". Unit projects 3 7/16" from wall.

**⚡B-211** Similar to B-2116, but with three exposed countersunk mounting screw holes.



**B-544 Cubicle Collection TOILET BRUSH HOLDER**

Heavy-duty type 304 stainless steel, satin finish. Vandal-resistant wall mounting bracket. Stainless steel handle with replaceable nylon brush head. Water reservoir included. Overall height is 15 7/8". Unit projects 4 1/4" from wall.

See page 25 for the complete Cubicle Collection.



**⚡B-682 HAT AND COAT HOOK**

Bright-polished stainless steel. Flange is 2" x 2". Hook 1" W, 6 1/2" H; projects 3 1/16" from wall. Concealed wall plate.

**⚡B-6827** Similar to B-682, but with satin finish.



**⚡B-232 x 24 HOOK STRIP**

Type 304 stainless steel, satin finish. Hooks are 1" W, 6 1/2" H; projects 2 1/4" from wall. Mounting strip is 4" H and has 1/4" return.



**B-983 VANDAL-RESISTANT CLOTHES HOOK (SECURED FROM FRONT)**



Type 304 satin-finish stainless steel. Back plate is 14-gauge. Hook snaps down for safety if excessively loaded. Back plate 4" W, 4" H, 7/8" D. Hook projects 1 1/4" from back plate. Furnished with tamper-resistant mounting screws.



**B-985 VANDAL-RESISTANT HOOK STRIP**



Back plate is 14-gauge, type 304, satin-finish stainless steel. Four stainless steel hooks snap down for safety if excessively loaded. Furnished with tamper-resistant mounting screws. Unit 18" W, 5 1/2" H, 7/8" D. Hooks project 1 1/4" from back plate.

# Hooks/Shelves/Custodial Accessories



## ⚡ B-295 STAINLESS STEEL SHELF

5" wide, 18-gauge, type 304 stainless steel, satin finish.  $\frac{3}{4}$ " return edge; front edge is hemmed for safety. Brackets are 16-gauge. Available in one-piece lengths: ~~16"~~, ~~18"~~, ~~24"~~.

**B-296** Similar to B-295, but shelf is 6" wide, 18" lengths.

**B-298** Similar to B-295, but shelf is 8" wide, 18", 24" lengths.



## B-224 SHELF WITH MOP AND BROOM HOLDERS AND RAG HOOKS

Shelf is 18-gauge, type 304 stainless steel, satin finish; 36" Long, 6" H, 8" D. Four anti-slip mop holders have spring-loaded rubber cam that grips handles  $\frac{7}{8}$ " to 1  $\frac{1}{4}$ " dia.. Holds mops 8" from wall. Three stainless steel rag hooks. Rod for wet rags below shelf.



## ⚡ B-287 FOLDING UTILITY SHELF

Easily installed on toilet partition or wall. Type 304 stainless steel, satin finish. Pull-down shelf returns to upright position when not in use. Supports 100 lbs when properly installed. Shelf 14  $\frac{1}{2}$ " long, 5  $\frac{3}{4}$ " wide.



## B-239 SHELF WITH MOP AND BROOM HOLDERS AND HOOKS

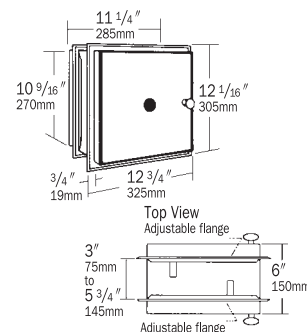
Shelf is 18-gauge, type 304 stainless steel, satin finish; 34" Long, 13" H, 8" D. Three anti-slip mop holders have spring-loaded rubber cam that grips handles  $\frac{7}{8}$ " to 1  $\frac{1}{4}$ " dia.. Four stainless steel hooks.



## ⚡ B-223 MOP AND BROOM HOLDER

Type 304 stainless steel, satin finish. Anti-slip mop holders have spring-loaded rubber cam that grips handles  $\frac{7}{8}$ " to 1  $\frac{1}{4}$ " dia.. Holds mops 3  $\frac{1}{4}$ " from wall. Height 5".

MODEL NO.	NO. HOLDERS	LENGTH
⚡ B-223 x 24	3	24"
⚡ B-223 x 36	4	36"



## B-505 RECESSED SPECIMEN PASS-THRU CABINET

Provides convenient passage for specimen from patient area to laboratory. Mounts in walls 3" to 5  $\frac{3}{4}$ " thick. Type 304 stainless steel, satin finish. Self-closing doors. Interlocking mechanism prevents both doors from being open at the same time; provides sight barrier. Removable stainless steel tray.

# Koala Kare Child Care Products



## KB200-SS HORIZONTAL, WALL-MOUNTED WITH STAINLESS STEEL VENEER

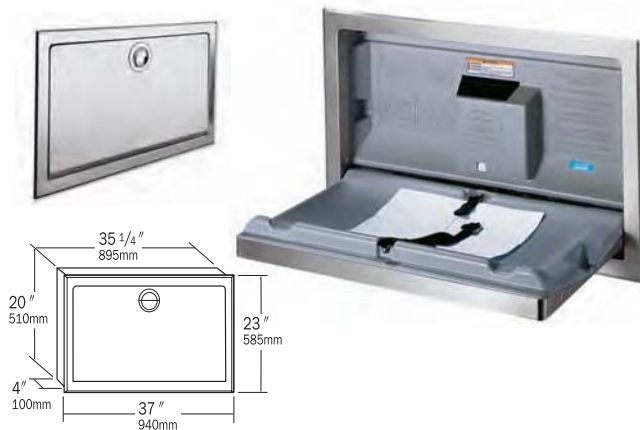
Polypropylene cabinet and bed with 22-gauge, type 304 satin stainless steel veneer. Unit 35 3/16" W, 22 1/4" H. Depth (closed) 4". Extension (open) 23 3/16".

**KB200-01SS** Grey, **KB200-05SS** White Granite



## KB200-00 HORIZONTAL, WALL-MOUNTED

Cream color polypropylene cabinet and bed. Unit 35 3/16" W, 22 1/4" H. Depth (closed) 4". Extension (open) 23 3/16". Available from Bobrick in cream color only.



## KB110-SSRE HORIZONTAL, RECESSED-MOUNTED

18-gauge, type 304 satin stainless steel exterior finish with molded grey color polyethylene interior. Unit 37" W, 23" H. Depth (closed) 1/4". Extension (open) 15".



## KB110-SSWM HORIZONTAL, WALL-MOUNTED

18-gauge, type 304 satin stainless steel exterior finish with molded grey color polyethylene interior. Unit 35 1/4" W, 20" H. Depth (closed) 4". Extension (open) 19".



## KB101-00 VERTICAL, WALL-MOUNTED

Cream color polyethylene cabinet and bed. Unit 22" W, 35 1/2" H. Depth (closed) 5 1/4". Extension (open) 35". Available from Bobrick in cream color only.



[www.koalabear.com](http://www.koalabear.com) 888.733.3456

For copies of Koala's full line Baby Changing Station Catalog, or for the name of your Bobrick-Koala Representative, please call Koala toll-free or visit us online.



## Being Green and Seeing Green.

Bobrick's green leaf symbol appears throughout this catalog adjacent to many products that offer environmental benefits such as conservation of paper, landfill mitigation, stainless steel recycling, post-consumer and post-industrial waste reduction, and LEED qualification:

- Reduce/Reuse – Products that save paper and/or reduce waste by compliance with US EPA Reduce/Reuse Resource Conservation Initiative.
- Universal Roll Towel Dispensers reduce towel usage up to 30%.
- TowelMate saves up to 20% of paper towel consumption.
- Warm Air Hand Dryers eliminate paper towel usage.
- Zero-Waste Universal Bulk Fill Soap Dispensers eliminate cartridges, reducing landfill impact and post consumer waste by 57%.
- Restroom Accessories are fabricated of 50-70% recycled stainless steel.
- Koala Baby Changing Stations are fabricated of 16-68% recycled materials.

## Technical Bulletin of Interest.

- TB-88 Washroom Accessories LEED Information.



## Buy America Compliance.

Many Bobrick accessories comply with the Buy American Act and related Acts. For information about a particular product, please contact [architecturalservices@bobrick.com](mailto:architecturalservices@bobrick.com) or telephone 818.503.1600.

Also, for a product list of country-of-origin, please visit [bobrick.com](http://bobrick.com).

Illustrations and descriptions herein are applicable to production as of the date of this catalog. The manufacturer reserves the right and does from time to time make changes and improvements in designs and dimensions.

AirGuard, CompacDryer, Green Seal, MatrixSeries, TrimLineSeries, QuietDry are each trademarks; AirCraft, Bobrick, ClassicSeries, ConturaSeries, Eclipse, Koala, Koala Kare, Koala Kare Products, LinerMate, LiquidMate, QuickShip, SureFlo, TowelMate, are registered trademarks of Bobrick Washroom Equipment, Inc.

## WARRANTIES:

The following Bobrick products are warranted to be free from defects in workmanship and material under normal usage from the date of purchase for the periods set forth below. (Rust and discoloration to stainless steel parts resulting from exposure to harsh environmental and/or chemical conditions are not considered to be defects in workmanship or material and there is no express or implied warranty for such condition. Refer to Bobrick Bulletin TB-21, Stainless Steel Cleaning and Maintenance.

Washroom Accessories/Soap Dispensers	Limited Warranty ConturaSeries
Washroom Accessories	3 years
Soap Dispensers B-306, B-4063, B-4112, B-822 Series, B-824, B-828	3 years
B-830 SureFlo Soap System Soap Pumps	Lifetime warranty provided Bobrick SureFlo Soap is used exclusively with this product

The following Bobrick mirrors are warranted against silver spoilage from the date of purchase for the periods set forth below:

Mirrors	Limited Warranty
B-290, B-2908, B-292, B-293, B-294 Series B-165, B-1658, B-166 Series	15 years

The following Bobrick hand dryers are warranted to be free from defects in workmanship and material under normal usage from the date of purchase for the periods set forth below:

Hand Dryers	Limited Warranty
B-700, B-7120, B-7128 B-750 AirCraft B-740, B-748 Eclipse B-708 AirGuard	Motor brushes for 3 years; all other parts for 10 years
B-710 Compac B-770, B-778 QuietDry	1 year Motor brushes for 3 years; all other parts for 5 years

Koala Kare products are backed by a 5-year limited liability warranty to be free of defects in workmanship and material, and a 5-year replacement policy against vandalism.

## OTHER PRODUCTS:

Bobrick washroom accessories not listed above are warranted to be free from defects in workmanship and material under normal usage service for one year from the date of purchase.

## LIMITATIONS ON WARRANTIES:

In all instances, the purchaser's exclusive remedy against Bobrick is for the repair or replacement, at Bobrick's option, of warranted defective products or parts. Bobrick will also bear the cost of the purchaser's return of defective products or parts to Bobrick. Bobrick's warranties set forth above do not cover damage resulting from vandalism. No other remedy (including, but not limited to, damages for field labor charges, lost profits, lost sales, injury to persons or property or any other incidental or consequential losses) is available.

## DOMESTIC PATENTS:

Bobrick products are protected under one or more of the following Patent Numbers:

**Canada:** 2439807, 2342510, 2336013, 2311345, 2309470, 2220402, 131651, 130179, 114926;

**United States:** 8365328, 8276229, 8152021, 7950513, 7861375, 7552974, 7550188, 7520022, 7469779, 7431159, 7032351, 6502721, 6443411, 6276027, 6269503, 6129245, 6119901, 6032819, 5988451, 5987677, 5927805, 5906015, 5887762, 5871113, 5660011, 5476197, 5470039, D605886, D601843, D601422, D546081, D459131, D441139, D438344, D426412, D425253, D420764, D416726, D415857, D413419.

Other patents pending.

Components of Models B-2974, B-29744, B-3974, B-39747, B-3979, 3974-50 and B-72974 are covered by patent numbers owned by our supplier: **Canada:** 2572341, 2533000, 2489669; **United States:** 7594622, 7296765, 7084592, 7040566, 7963475.

Components of Models B-3961, B-39617, B-39619, B-72860 and B-2860 are covered by patent numbers owned by our supplier: **Canada:** 2439918; **United States:** 6553879, 6314850.

Components of Part No. 251-4 are covered by patent numbers owned by our supplier: **Canada:** 2308182; **United States:** 6007285, 5944466.

# Company Directory

				
<b>U.S. Headquarters</b>	818.982.9600	818.503.1102	bobrickcustomerservice@bobrick.com 11611 Hart Street North Hollywood, CA 91605-5882	www.bobrick.com
<b>Canadian Headquarters</b>	877.423.6555 Eastern Canada	877.423.8555	bobrickcustomerservice@bobrick.com 45 Rolark Drive Toronto, Ontario M1R 3B1	www.bobrick.com
	877.423.6444 Western Canada	877.423.8444	bobrickcustomerservice@bobrick.com	www.bobrick.com
<b>International Sales</b>	+1.818.764.1000	+1.818.503.9941	international@bobrick.com 11611 Hart Street North Hollywood, CA 91605-5882	www.bobrick.com
<b>Australia</b> Bobrick Washroom Equipment Pty. Ltd.	1.800.353158	1.800.221926	info@bobrick.com.au	www.bobrick.com.au
<b>Germany</b> Bobrick Washroom Equipment	0800.79.00.456	0800.79.00.789	info@bobrick.de	www.bobrick.com.de
<b>United Kingdom</b> Bobrick Washroom Equipment Ltd.	+44.0.20.8366.1771	+44.0.20.8363.5794	info@bobrick.co.uk 2 The Hangar Perseverance Works 38 Kingsland Road London E2 8DD	www.bobrick.co.uk
<b>Gamco</b> A Division of Bobrick	818.982.9600	818.503.1102	bobrickcustomerservice@bobrick.com One Gamco Place Durant, OK 74701-1910	www.gamcousa.com
<b>Koala Kare Products</b> A Division of Bobrick	888.733.3456	303.539.8399	customerservice@koalabear.com 6982 S. Quentin Street Centennial, CO 80112-3945	www.koalakare.com



**BUILDING VALUE SINCE 1906**  
**BOBRICK.COM**