



WASHROOM ACCESSORIES



BUILDING VALUE SINCE 1906

ConturaSeries® Accessories

Unique ConturaSeries TowelMate™, Standard Feature at No Extra Charge, Reduces Towel Usage up to 20%.

- Dispenses one towel at a time.
- Field installation into existing cabinets without tools.
- Easy-load channel/retainer saves time.
- US EPA Reduce & Reuse Resource Conservation Initiative compliance.
- Fabricated of 50%-70% recycled stainless steel.

Unique ConturaSeries LinerMate®, Standard Feature at No Extra Charge, Improves Restroom Appearance.

- Liner overhang is eliminated.
- Gapless fit eliminates misdirected trash from collecting outside liner.
- Saves maintenance time and expense by reducing the frequency of liner change-overs.
- Easy installation and removal of liners without unlocking waste receptacle.

TowelMate and LinerMate Accessories for Installation in Existing Models.

- TowelMates fit ConturaSeries units manufactured before June 2010, and are standard thereafter.
- LinerMates fit ConturaSeries waste receptacles.
- Patents pending.



ConturaSeries Overview:

- Original curvilinear architectural design for prestige restrooms.
- 27° doors, flanges and panels.
- Drawn, one-piece seamless, welded construction.
- Type 304 satin-finish stainless steel on all exposed surfaces.
- Bobrick-keyed flush locks.
- Stainless steel piano-hinges.
- Green: Fabricated of 50%-70% recycled stainless steel.
- ConturaSeries is a registered trademark of Bobrick Washroom Equipment, Inc.

Specify ConturaSeries for Class A Properties:

- Corporate headquarters.
- Commercial office buildings.
- Upscale hotels and resorts.
- Specialty retail and fine dining.
- Museums and civic icons.



TrimLineSeries Overview:

- Doors have 90° return, concealed flanges.
- Type 304 satin-finish stainless steel on all exposed surfaces.
- Bobrick-keyed tumbler locks.
- Green, fabricated of 50%-70% recycled stainless steel.

Specify TrimLineSeries for a Clean, Architectural Design Statement.

- Corporate headquarters.
- Commercial office buildings.
- Upscale hotels and resorts.
- Healthcare and hospitality.

ClassicSeries Overview:

- Traditional beveled flange treatment.
- Type 304 satin-finish stainless steel on all exposed surfaces.
- Bobrick-keyed heavy duty locks.
- Green, fabricated of 50%-70% recycled stainless steel.

Specify ClassicSeries Where Budget is a Primary Concern.

- Mid-size commercial buildings.
- Industrial and manufacturing.
- Theaters and stadiums.
- Healthcare and transportation.



Unique TowelMate reduces towel usage up to 20%.
For more information, including LinerMate. See Page 4.



New TowelMate and LinerMate Accessories



Unique TowelMate Reduces Towel Usage up to 20%.

- Dispenses one towel at a time.
- Field installation into existing cabinets without tools.
- Easy-load channel/retainer saves time.
- US EPA Reduce & Reuse Resource Conservation Initiative compliance.
- Fabricated of 50%-70% recycled stainless steel.

Unique LinerMate Improves Restroom Appearance.

- Liner overhang is eliminated.
- Gapless fit eliminates misdirected trash from collecting outside liner.
- Saves maintenance time and expense by reducing the frequency of liner change-overs.
- Easy installation and removal of liners without unlocking waste receptacle.

Optional Accessory Specification.

- TowelMate and LinerMate are available as optional accessories for all Bobrick towel/waste units and those of many major manufacturers.
- How to specify/order: Add TowelMate and/or LinerMate accessory part number to Bobrick towel/waste model number. Example: B-3944 with 3944-130 TowelMate, 3944-134 LinerMate.



TowelMate accessory fits TrimLine, Classic series, Gamco and other manufacturers' existing units. Patents pending.

Applications	Model Numbers	Part No.
Bobrick TrimLineSeries	B-3803, B-38032, B-380349, B-39034	3803-130
	B-39003, B-390034, B-396034	39003-130
	B-35903, B-36903	369-130
Bobrick ClassicSeries	B-3900, B-3904, B-3907, B-3909	3803-130
	B-3914, B-3942, B-3944, B-3947, B-3949	3944-130
	B-359, B-369, B-3699	369-130
	B-262, B-2620, B-2621, B-26212	262-130
Gamco TW Series	TW: 1F, 1FS, 1C, 1D, 1M, 1MC, 1-18	3944-130
	TW: 2, 2F, 2FS, 2-4	3803-130
Gamco TD Series	TD: 2, 2M, 2-8, 3, 3F, 3FS, 8	262-130
Other Mfrs.	Combination Towel/Waste similar to B-3944 Series	3944-130
Other Mfrs.	Surface-Mounted Towel Dispensers similar to B-262 Series	262-130



LinerMate accessory fits Classic series, Gamco and other manufacturers' existing units. Patents pending.

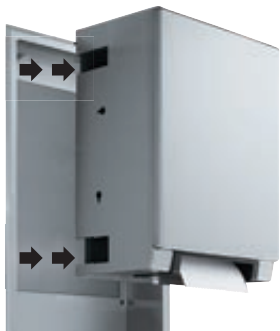
Applications	Model Numbers	Part No.
Bobrick ClassicSeries	B-3644, B-3942, B-3944, B-3949, B-3961, B-39619, B-3974, B-3979	3944-134
Gamco TW and WR Series	TW-1, TW-1-6, TW-1C, TW-1F, TW-1FS, TW-1M, TW-1MC, TW-14RP, TW-14RPT, WR-6, WR-14	
Other Mfrs.	12-gal. receptacles min. 14 13/16" wide, 6 7/8" deep, 22 3/8" high	

TowelMate and LinerMate are standard features on all new ConturaSeries towel dispenser and/or waste receptacle models.

New Automatic, Universal Roll Towel Dispensers



Model B-2974
Surface-Mounted



B-3974 Recessed
Towel/Waste with
exploded view of
3974-50 Automatic
Roll Towel Dispenser
Module

Cost Saving features for Automatic, Universal Roll Towel Dispensers

- Accepts economically-priced, universal, non-perforated, non-proprietary roll paper towels 8" (205mm) diameter, 8" (205mm) wide, 800 ft (244m) long with 1 1/2" to 2" (38 to 51mm) diameter standard core.
- Adjustable paper towel first dispense length: 9", 12", 15" (230mm, 305mm, 380mm).
- Adjustable second dispense length: 25% and 12.5% of first dispense.
- Adjustable second dispense time delay: 1, 2 or 3 seconds.
- Accommodates stub roll up to 3 1/2" (90mm) diameter with automatic transfer.

Flexibility, Freedom and Savings.

- Dispenses universal, non-proprietary rolls.
- Eliminates proprietary paper purchasing contracts.
- Save as much as 30% or more by purchasing economical universal, non-proprietary roll paper towels from open-market distribution channels.
- Paper savings: adjustable towel lengths and time delays, shorter lengths on second activation, stub roll dispensing.
- Complies with US EPA Reduce & Reuse Resource Conservation Initiative.

Functionality and Hygiene.

- Reduces risk of cross-contamination.
- Concealed towels assure hygiene and are intuitively dispensed; no motion required.
- Extended 300,000-cycle, 1-year battery life; AC adapter available.
- Green: 50%-70% recycled stainless steel.



3974-50
Automatic Module
Patented



B-2974
Surface-Mounted
Patented



B-29744
Semi-Recessed
Patented

Convert Existing Units to Automatic Roll Towel Dispensing.

- Retrofit existing B-3944 and B-3900 folded towel dispensers and other manufacturers' similar models.
- Retrofit existing Bobrick B-3961 touch-free, pull-towel mechanism roll towel dispensers.
- Convenient field installation utilizes the existing recessed wall cabinet.
- Waste receptacle is also field-convertible from 12-gallon to 18-gallon (or vice versa).

Stand Alone Installation Options.

- Surface-mounted for renovation and new construction.
- Semi-recessed for 4" wall depth.



Being Green and Seeing Green.

Environmental responsibility used to command a premium price. Now, however, using less while still delivering the appropriate level of service simply costs less. This includes paper, soap, and electricity. Not to mention reduced equipment replacement cycles, and maintenance cost containment.

Reduce & Reuse.

Bobrick's green leaf symbol is dispersed throughout this new catalog to signify particular products that save paper and/or reduce waste by complying with the US EPA Reduce & Reuse Resource Conservation Initiative.

Universal Roll Towel Dispensers Reduce Towel Use up to 30%.

- Adjustable towel lengths.
- Shorter second pull lengths.
- Delayed second activation.
- Zero waste stub roll utilization.

TowelMate Reduces Towel Use up to 20%.

- Dispenses one towel at a time.
- Prevents dispensing by the handful.

Warm Air Hand Dryers Eliminate Paper Towels Completely.

- Towel trash removal also eliminated.
- 95% cost savings compared to towel usage.

Universal Bulk Fill Soap Dispensers Eliminate Cartridges.

- No more disposal of partially-filled cartridges.
- Substantially reduced landfill impact.

Recycled Restroom Accessory Construction.

- 50%-70% recycled stainless steel used for Contura, TrimLine and ClassicSeries.
- Robust fabrication stands up to heavy use, abuse and vandalism and reduces replacement cycles.

Toilet Partition Series.

- SCRC toilet partitions are manufactured regionally and made of low-emitting materials.
- Plastic Laminate, Solid Phenolic and SCRC materials have been GREENGUARD[®] Indoor Air Quality Certified by the GREENGUARD Environmental Institute under the GREENGUARD standard for Low-Emitting Products.
- Toilet partition hardware fabricated of 50%-70% recycled stainless steel.

Koala Kare Baby Changing Stations.

- Fabricated of 50% recycled polyethylene and stainless steel.
- Treated with Microban[®] antimicrobial product protection.

Technical Bulletins of Interest.

- TB-77 SierraSeries[®] LEED Certification Program.
- TB-87 Toilet Partition Material LEED Information Program.
- TB-88 Washroom Accessories LEED Information.
- TB-89 GREENGUARD[®] Toilet Partition Material Certification Information.

Buy America Compliance



Many of the products contained in this catalog comply with the requirements of the Buy American Act; Trade Agreements Act; American Recovery and Reinvestment Act – Buy American Provision;

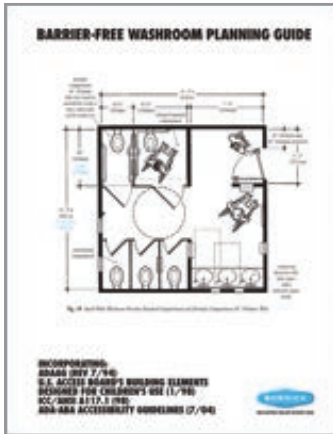
Federal Transportation Administration's Buy America Act; Federal Highway Administration's Buy America Restriction; and/or the Federal Aviation Administration's Buy American Provision.

For information about a particular product please contact architecturalservices@bobrick.com or telephone (818) 503-1600.

In addition, a list of the country-of-origin of Bobrick's products can be obtained by visiting www.bobrick.com. The country-of-origin for the products contained in this list were determined solely by applying the U.S. Customs and Border Protection's substantial transformation test.

Table of Contents

WASHROOM ACCESSORIES:
 Combination Towel/Waste Units 8
 Reusable Vinyl Liners 10
 Paper Towel Dispensers 12
 Waste Receptacles 14
 Sanitary Napkin/Tampon Vendors 15
 SureFlo® Soap Dispensing System 16
 Lavatory-Mounted Soap Dispensers 17
 Soap Dispensers 18
 Mirrors 20
 Warm-Air Hand Dryers 22
TOILET COMPARTMENT ACCESSORIES:
 Toilet Tissue Dispensers 24
 Toilet Compartment Accessories 27
 Sanitary Napkin Disposals 28
 Cubicle Collection 29
 Toilet Seat Cover Dispensers 30
 Grab Bars 31
SPECIALTY PRODUCTS:
 Bathroom Accessories 32
 Shower/Tub Accessories 33
 Hooks/Shelves/Custodial Accessories 35
 Specimen Pass-Thru Cabinet 37
 Koala Kare Child Care Products 38
 Warranties/Patents 40



ASSISTANCE WITH ADA COMPLIANCE.

For a free copy of Bobrick's Barrier-Free Washroom Planning Guide and Wheelchair Maneuverability Drawing Template, please telephone (800) 553-1600 or visit www.bobrick.com.



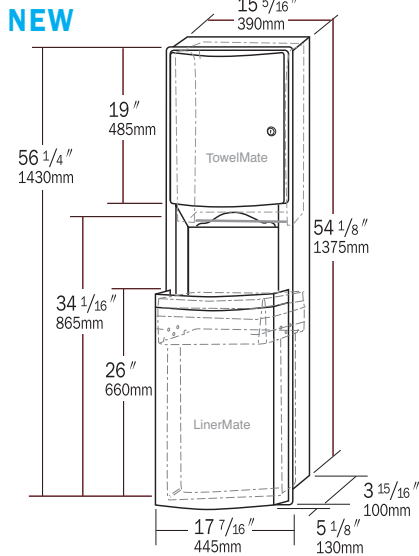
GAMCO RESTROOM ACCESSORIES IS THE "GO-TO" LINE FOR BUDGET PROJECTS.

- Complete line of stainless steel restroom accessories.
- Specializing in short runs and customized dimensions.
- Solid brass, bronze and multi-color metal and finishes.
- Many discontinued Bobrick products are available.
- Gamco and Bobrick specifications can be combined.
- Buy America Compliance.

Numerical Product Index

MODEL NO.	PAGE NO.	MODEL NO.	PAGE NO.	MODEL NO.	PAGE NO.	MODEL NO.	PAGE NO.
B-155	19	B-293 Series	21	B-40	19	B-673	32
B-1556 Series	21	B-294 Series	21	B-4063	18	B-6737	32
B-156	19	B-295	37	B-4112	18	B-674	32
B-165 Series	20	B-296	37	4112-79	18	B-6747	32
B-1658 Series	21	B-297	33	B-42	19	B-676	32
B-166 Series	20	B-2974	12	B-4221	30	B-677	35
204-1	33	B-29744	12	B-4262	13	B-6777	35
204-2	33	B-298	37	B-4288	24	B-680	32
204-3	33	B-299	33	B-4353	28	B-6806 Series	31
B-207	33	B-301	30	B-4354	28	B-6807	32
B-211	36	B-3013	30	B-43644	14	B-68137	31
B-2111	18	B-306	18	43644-134	8	B-682	36
2111-79	18	B-3094	29	B-4369	11	B-6827	36
B-2112	18	B-318	13	4369-134	8	B-683	32
B-2116	36	B-347	27	4369-22	10	B-685	26
B-212	35	B-3471	27	B-43699	11	B-6857	26
B-221	30	B-3474	27	B-4380	34	B-686	26
B-223	37	B-3479	27	B-4388	24	B-6861	31
B-224	37	B-353	28	B-4390	34	B-68616	31
B-2250	14	353-12	27, 28, 29	B-43944	8	B-6867	26
2250-3	10	B-35303	28	43944-134	8	B-687	32
B-2260	14	B-354	28	B-43949	8	B-6897	31
2270-3	10	B-357	27	B-4706 25	15	B-697	24
B-2280	14	B-3571	27	B-4706 50	15	B-6977	24
B-2300	14	B-3574	27	B-47064 25	15	B-699	24
B-232	36	B-3579	27	B-47064 50	15	B-6997	24
B-233	35	B-359	13	B-47069 25	15	B-6999	25
B-239	37	B-35903	13	B-47069 50	15	B-69997	25
B-2400	14	B-3644	14	B-4998	31	B-700	23
251-4	31	367-60	8	B-505	37	B-708	23
252-30	31	368-16	10	B-5050	19	B-710	23
2521-30	31	368-60	8	B-517	34	B-7120	22
2522-30	31	B-369	11	B-518	34	B-7128	22
B-253	12	369-130	11, 13	B-5181	34	B-72860	12
B-254	29	B-36903	11	B-5191	34	B-72974	12
2583	31	B-3699	11	B-5221	30	B-740	22
2586	31	B-3706 25	15	B-526	11	B-748	22
B-262	13	B-3706 50	15	B-5262	13	B-750	22
262-130	13	B-37063 25	15	5262-25	13	B-7671	35
B-2620	13	B-37063 50	15	B-5270	29	B-76717	35
B-2621	13	B-370634 25	15	B-5277	14	B-7672	35
B-26212	13	B-370634 50	15	5277-12	10	B-76727	35
B-263	13	B-370639 25	15	B-52860	12	B-7685	26
B-264	26	B-370639 50	15	B-5288	25	B-76857	26
B-265	26	B-3803	10	B-52891	25	B-7686	26
B-270	29	3803-130	10	B-529	14	B-76867	26
270-12	29	B-38032	10	B-530	32	B-81212	16
B-2706 25	15	B-38034	10	B-541	25, 29	B-81312	16
B-2706 50	15	B-380349	10	B-542	29, 35	B-822	17
B-272	26	B-386	24	B-543	25, 29	B-8221	17
B-273	25	B-3888	24	B-544	29, 36	B-82216	17
B-2730	25	B-39003	10	B-5806 Series	31	B-8226	17
B-274	25	B-3942	8	B-5837	31	B-826	17
B-2740	25	B-3944	8	B-58616	31	B-8263	17
B-2746	26	3944-12	10	B-5897	31	B-830	16
B-27460	26	3944-130	8	B-6047	33	B-8397	32
B-275	14	3944-52	8	B-6107	33	B-942	21
275-14	10	3944-134	8, 9, 14	B-663	24	B-983	36
B-277	14	B-3947	8	B-6637	24	B-985	36
B-279	14	B-3949	8	B-667	24	KB100-ST	39
279-14	10	B-3961	9	B-6677	24	KB101	38, 39
283-604	26	3961-50	9	B-669	24	KB102-00	38, 39
B-2840	26	B-39617	9	B-6697	24	KB110-SSRE	38
B-2860	12	B-39619	9	B-6699	25	KB110-SSWM	38
B-287	37	B-397	33	B-66997	25	KB111-SSRE	39
B-2888	24	B-3974	9	B-670	35	KB111-SSWM	39
B-2890	25	B-39747	9	B-6707	35	KB112-01CT	39
B-2892	25	3974-50	9, 12	B-671	35	KB112-01RE	39
B-290 Series	20	3974-57	9, 12	B-6717	35	KB150-99	39
B-2908 Series	21	B-3979	9	B-672	35	KB200	38, 39
B-292 Series	20	B-398	33	B-6727	35		

Combination Towel/Waste Units



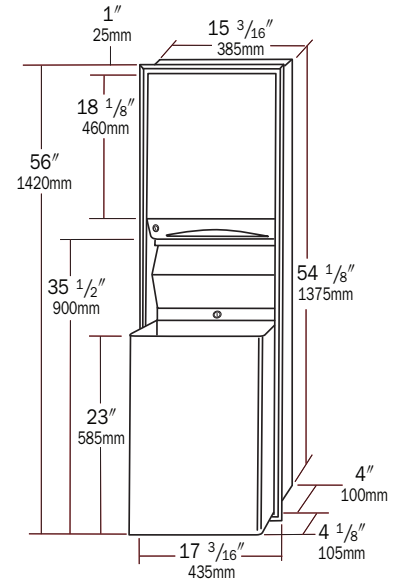
⚡ B-43944 ConturaSeries® RECESSED PAPER TOWEL DISPENSER/WASTE RECEPTACLE WITH TowelMate AND LinerMate

Satin-finish stainless steel. Flush tumbler lock. Dispenses 600 C-fold or 800 multifold towels. Waste receptacle has 15.0-gal. (56.8-L) capacity; extends 5 1/8" (130mm) from wall. Removable front panel for easy cleaning. Rough Wall Opening: 16" W, 54 3/4" H, 4" min. depth (405 x 1390 x 100mm). Av. Mtg. Ht.: 67-74" (1700-1880mm) to top of unit; Barrier-Free, 61 1/4" (1555mm).

B-43949 Similar to B-43944, but with skirt for surface mounting.

ConturaSeries TowelMate/LinerMate accessory part numbers for installation in existing units. Patents pending.

ConturaSeries	TowelMate Part No.	LinerMate Part No.
B-4362	⚡3944-130	N/A
B-43644	N/A	43644-134
B-4262, B-4369, B-43699	⚡369-130	4369-134
B-43944, B-43949	⚡3944-130	43944-134
B-277	N/A	⚡3944-134



⚡ B-3944 ClassicSeries RECESSED CONVERTIBLE PAPER TOWEL DISPENSER/WASTE RECEPTACLE

Unit includes convertible folded paper towel module and 12-gallon waste receptacle module which can be interchanged with an automatic, universal or touch-free roll towel module and 18-gallon waste receptacle module, respectively. Cabinet is not replaced when changing modules. Satin-finish stainless steel. Seamless beveled flange. Dispenses 600 C-fold or 800 multifold towels. Removable waste receptacle is locked into cabinet. Receptacle is 8" (205mm) deep with capacity of 12-gal. (45.5-L); extends 4 1/8" (105mm) from wall. Rough Wall Opening: 16" W, 54 3/4" H, 4" min. depth (405 x 1390 x 100mm). Mtg. Ht.: 67-74" (1700-1880mm) to top of unit; Barrier-Free, 60 1/2" (1535mm). Patent pending.

⚡ B-3942 Similar to B-3944, but with skirt for semi-recessing in 2" (50mm) walls.

⚡ B-3949 Similar to B-3944, but with skirt for surface mounting.

B-3947 Similar to B-3944, but with 18-gallon (68.0-L) waste receptacle.

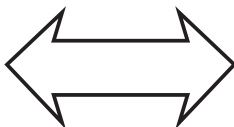
⚡ **3944-134 LinerMate Accessory**

⚡ **3944-130 TowelMate Accessory**



INTERCHANGEABLE RECEPTACLES

Choose from 12 and 18-gallon waste receptacles based on changing traffic and usage needs. Fits B-3944, B-3961, B-3974 Series.

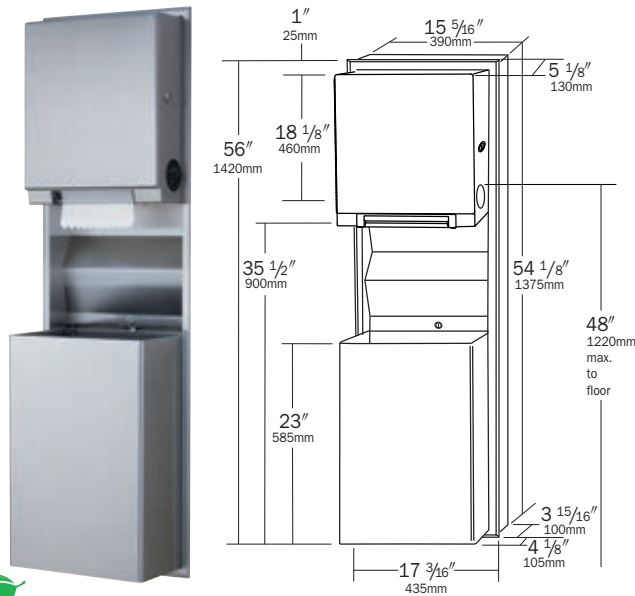


INTERCHANGEABLE TOWEL

Interchangeable towel dispenser modules allow conversion from and to automatic roll towel, touch-free roll towel, and folded towel.



Combination Towel/Waste Units



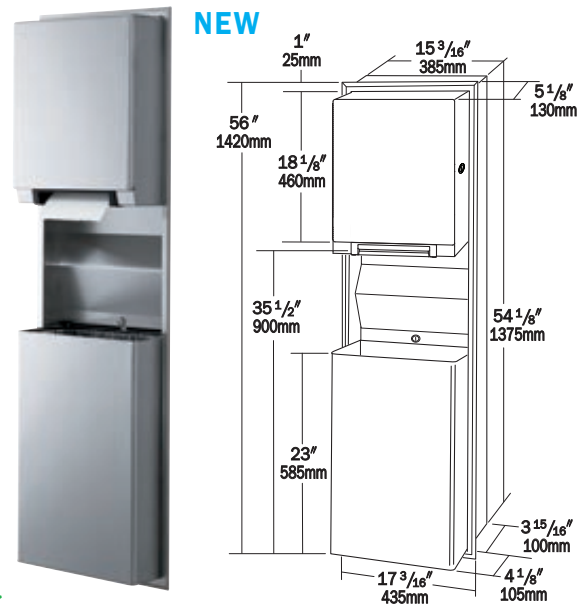
B-3961 ClassicSeries RECESSED CONVERTIBLE PAPER TOWEL DISPENSER/WASTE RECEPTACLE

Unit includes convertible universal, roll paper towel module and 12-gallon waste receptacle module which can be interchanged with an automatic, universal or folded towel module and 18-gallon waste receptacle module, respectively. Cabinet is not replaced when changing modules. Satin-finish stainless steel. Seamless beveled flange. Touch-free, pull-towel mechanism dispenses 12" (305mm) length per pull of universal roll paper towels. Accommodates 8" (205mm) wide, up to 8" (205mm) diameter rolls, 800 ft (244m) long, plus 3 1/2" (90mm) diameter stub roll with automatic transfer. Removable waste receptacle is locked into cabinet. Receptacle is 8" (205mm) deep with capacity of 12-gal. (45.5L); extends 4 1/8" (105mm) from wall. Rough Wall Opening: 16" W, 54 3/4" H, 4" min. depth (405 x 1390 x 100mm). Av. Mtg. Ht.: 67-74" (1700-1880mm) to top of unit; Barrier-Free, 60 1/2" (1535mm). Patented.

B-39619 Similar to B-3961, but with skirt for surface mounting.

B-39617 Similar to B-3961, but with 18-gallon (68.0-L) waste receptacle.

#3944-134 LinerMate Accessory



B-3974 ClassicSeries RECESSED CONVERTIBLE AUTOMATIC, UNIVERSAL ROLL TOWEL DISPENSER/WASTE RECEPTACLE

Convertible automatic universal, roll paper towel dispenser and 12-gal. waste receptacle module can be interchanged with a universal, touch-free module or a folded towel module and 18-gal. waste receptacle, respectively. Cabinet is not replaced when changing modules. Satin-finish stainless steel. Seamless beveled flange. Removable waste receptacle is locked into cabinet. Receptacle is 8" (205mm) deep with a capacity of 12-gal. (45.5L); extends 4 1/8" (105mm) from wall. Rough wall opening 16" W, 54 3/4" H, 4" min. depth (405 x 1390 x 100mm). Mtg. Ht.: 67-74" (1700-1880mm) to top of unit. Barrier-Free, 60 1/2" (1535mm). Battery requirements: 4 Alkaline D Cells (not included). Patented.

B-3979 Similar to B-3974, but with 4" (100mm) skirt for surface mounting.

B-39747 Similar to B-3974, but with 18-gallon (68.0-L) waste receptacle.

#3944-134 LinerMate Accessory

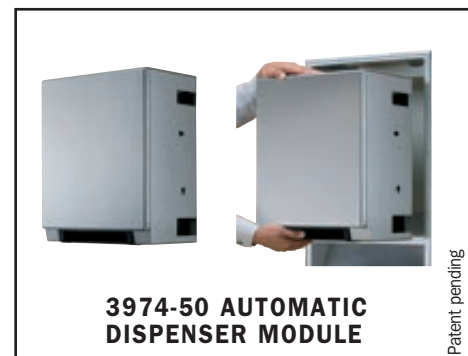
3974-57 AC External Adapter (6V) available for B-3974, B-3979, B-39747 and 3974-50.

Cost Saving features for Automatic, Universal Roll Towel Dispensers (see page 5)

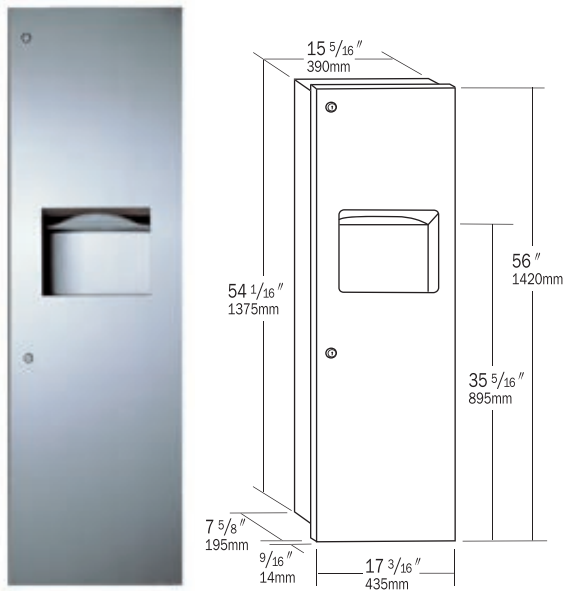
DISPENSER MODULES FOR B-3944, B-3961, B-3974 SERIES

Each module dispenses universal, economically priced paper products compared to proprietary paper purchasing contracts.

Conversions are made without replacing existing cabinets in the wall.



Combination Towel/Waste Units



B-39003 TrimLineSeries RECESSED PAPER TOWEL DISPENSER/WASTE RECEPTACLE

Satin-finish stainless steel. Door has 90° return, conceals flange. Dispenses 600 C-fold, 800 multifold or 1100 singlefold towels. Removable leak-proof, 12-gal. (45.5-L) waste container. Rough Wall Opening: 16" W, 54 3/4" H, 7 7/8" min. depth (405 x 1390 x 200mm). Av. Mtg. Ht.: 67-74" (1700-1880mm) to top of unit; Barrier-Free, 60 1/2" (1535mm).

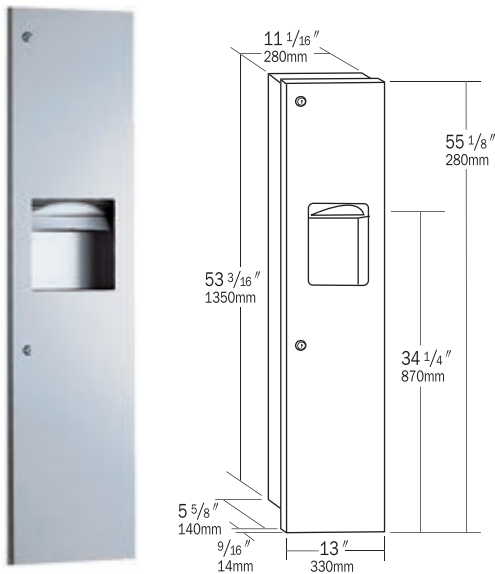
39003-130 TowelMate Accessory 



B-38032 TrimLineSeries SEMI-RECESSED PAPER TOWEL DISPENSER/WASTE RECEPTACLE

Satin-finish stainless steel. Door has 90° return, conceals flange. Skirt for 4" (100mm) walls. Dispenses 600 C-fold, 800 multifold or 1100 singlefold towels. Uncovered, removable, leak-proof, 6.3-gal. (24-L) waste container. Rough Wall Opening: 11 1/2" W, 53 5/8" H, 3 3/4" min. depth (290 x 1360 x 95mm). Av. Mtg. Ht.: 67-74" (1700-1880mm) to top of unit; Barrier-Free, 60 3/4" (1545mm).

3803-130 TowelMate Accessory 



B-3803 TrimLineSeries RECESSED PAPER TOWEL DISPENSER/WASTE RECEPTACLE

Satin-finish stainless steel. Door has 90° return, conceals flange. Dispenses 600 C-fold, 800 multifold or 1100 single-fold towels. Removable, leak-proof, 6.3-gal. (24-L) waste container. Rough Wall Opening: 11 1/2" W, 53 5/8" H, 5 3/4" min. depth (290 x 1360 x 145mm). Av. Mtg. Ht.: 67-74" (1700-1880mm) to top of unit; Barrier-Free, 60 3/4" (1545mm).

3803-130 TowelMate Accessory 

B-38034 Similar to B-3803, but requires 3 3/4" (95mm) min. depth. Waste capacity: 3.8-gal. (14.4-L). Dispenses C-fold and multifold towels.

B-380349 Similar to B-38034, but with skirt for surface mounting.



TowelMate TOWEL DISPENSER/RETAINER ACCESSORY

See page 4 for TowelMate accessory part numbers and ordering information for application in ClassicSeries, TrimLineSeries, Gamco, and similar models of other manufacturers. See pages 2 and 8 for ConturaSeries TowelMate information.



LinerMate LINER RETAINER ACCESSORY

See page 4 for LinerMate accessory part numbers and ordering information for application in ClassicSeries, Gamco, and 12-gallon waste receptacles of other manufacturers. See pages 2 and 8 for ConturaSeries LinerMate information.

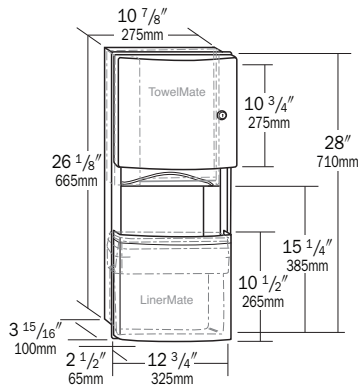
REUSABLE HEAVY-GAUGE VINYL LINERS:

PART NO.	FOR MODEL NO.
#3944-12	B-277, B-3961, B-39619, B-3944, B-3942, B-3949, 367-60, B-43944, B-43949
368-16	B-39617, B-3947, 368-60
4369-22	B-4369, B-43699
2250-3	B-2250, B-2260
2270-3	B-2280
275-14	B-275
279-14	B-279
5277-12	B-527

Combination Towel/Waste Units



NEW

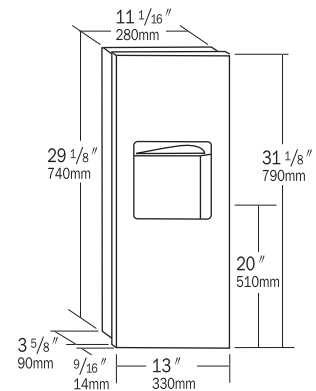


 **B-4369 ConturaSeries RECESSED PAPER TOWEL DISPENSER/WASTE RECEPTACLE WITH TowelMate AND LinerMate** 

Satin-finish stainless steel. Flush tumbler lock. Dispenses 350 C-fold or 475 multifold towels. Waste receptacle has 3.0-gal. (11.3-L) capacity; extends 2 1/2" (65mm) from wall. Removable front panel for cleaning. Wall Opening: 11 3/8" W, 26 5/8" H, 4" min. depth (290 x 675 x 100mm). Av. Mtg. Ht.: 71" (1805mm) to top of unit; Barrier-Free, 52 3/4" (1340mm).

B-43699 Similar to B-4369, but with skirt for surface mounting.

Note: See page 8 for TowelMates and LinerMates for existing units.

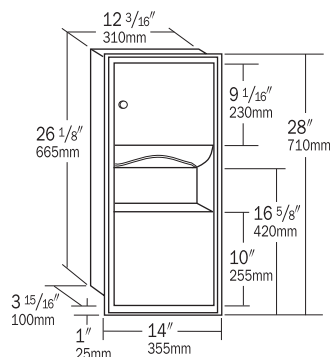


B-36903 TrimLineSeries RECESSED PAPER TOWEL DISPENSER/WASTE RECEPTACLE 

Satin-finish stainless steel. Door has 90° return, conceals flange. Dispenses 300 C-fold or 400 multifold towels. Removable, leak-proof, 1.6-gal. (6.1-L) waste container. Rough Wall Opening: 11 1/2" W, 29 1/2" H, 3 3/4" min. depth (290 x 750 x 95mm). Av. Mtg. Ht.: 69" (1753mm) to top of unit; Barrier-Free, 51" (1295mm).

369-130 TowelMate Accessory 

Countertop Towel Dispenser



B-369 ClassicSeries RECESSED PAPER TOWEL DISPENSER/WASTE RECEPTACLE 

Satin-finish stainless steel. Seamless beveled flange. Dispenses 350 C-fold or 475 multifold towels. Knob-latch retains door. Removable waste container has 2-gal. (7.6-L) capacity. Rough Wall Opening: 12 5/8" W, 26 5/8" H, 4" min. depth (320 x 675 x 100mm). Av. Mtg. Ht.: 71" (1805mm) to top of unit; Barrier-Free, 51 1/2" (1310mm).

369-130 TowelMate Accessory 

B-3699 Similar to B-369, but with stainless steel skirt for surface mounting.



B-526 TrimLineSeries COUNTERTOP MOUNTED PAPER TOWEL DISPENSER 

Satin-finish stainless steel. Flange has 90° return. Towels load into top of dispenser. Dispenses 300 C-fold or multifold towels. Unit 12 3/4" W, 6" front to back depth (325 x 150mm); 17" (430mm) min. clearance below mounting surface is required. Rough Countertop Cutout: 12 1/4" W (310mm), 4 1/2" front to back depth (115mm), 3/4" to 1 1/2" (19 to 38mm) mounting thickness. Housing below countertop to conceal dispenser is not included. Barrier-free countertop must not exceed 34" (865mm) height, and have a clearance of at least 29" (735mm) from the bottom of the apron to the finish floor.

Paper Towel Dispensers



NEW

Cost Saving features for Automatic, Universal Roll Towel Dispensers (see page 5)

B-2974 AUTOMATIC, UNIVERSAL SURFACE-MOUNTED ROLL TOWEL DISPENSER

Satin-finish stainless steel. Door has tumbler lock and piano-hinge. Unit 15 ³/₁₆" W, 18 ¹/₄" H, 9 ¹/₁₆" D (385 x 465 x 230mm). Barrier-Free, 60-66" (1525-1675mm). Battery requirements: 4 Alkaline D Cells (not included). Patented.

3974-57 AC External Adapter (6V) available.

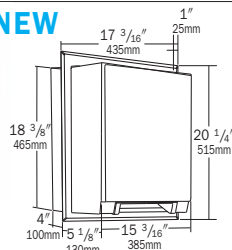


B-2860 SURFACE-MOUNTED ROLL TOWEL DISPENSER

Satin-finish stainless steel. Touch-free, pull-towel mechanism dispenses 12" (305mm) length per pull [1.8 lbs (8.0 N)] of universal towels. Accommodates 8" (205mm) wide, up to 8" (205mm) diameter rolls, 800 ft (244m) long, plus 3 ¹/₂" (90mm) dia. stub roll with automatic transfer. Door has tumbler lock and piano-hinge. Unit 11 ³/₄" W, 15" H, 9" D (300 x 380 x 230mm). Av. Mtg. Ht.: 67-74" (1700-1880mm) to top of unit; Barrier-Free 60-66" (1525-1675mm). Patented.



NEW



Cost Saving features for Automatic, Universal Roll Towel Dispensers (see page 5)

B-29744 AUTOMATIC, UNIVERSAL SEMI-RECESSED ROLL TOWEL DISPENSER

Similar to B-2974 with seamless satin-finish stainless steel beveled flange. Designed for semi-recessed installation in wall opening 16" W, 18 ⁷/₈" H, 4" D (405 x 480 x 100mm). Extends 5 ¹/₈" (130mm) from wall. Patented.

3974-57 AC External Adapter (6V) available.



B-72860 SURFACE-MOUNTED ROLL PAPER TOWEL DISPENSER

Durable plastic construction; translucent cover. Touch-free, pull towel mechanism dispenses 12" (305mm) length per pull [1.8 lbs (8.0 N)] of universal towels. Accommodates 8" (205mm) wide, up to 8" (205mm) diameter rolls, 800 ft (244m) long, plus 3 ¹/₂" (90mm) diameter stub roll with automatic transfer. Locking cabinet with removable and permanent keys. Unit 12 ¹/₂" W, 15 ¹/₂" H, 9 ¹/₂" D (320 x 395 x 240mm). Patented.



NEW

Cost Saving features for Automatic, Universal Roll Towel Dispensers (see page 5)

3974-50 AUTOMATIC, UNIVERSAL ROLL TOWEL DISPENSER MODULE

Satin-finish stainless steel. Interchangeable convertible module designed for installation in B-3944 and B-3961 purchased after July 2006, or for retro-fitting in earlier B-3900 and B-3944 models, and other manufacturers' similar units. Extends 5 ¹/₈" (130mm) from wall. Patented.

3974-57 AC External Adapter (6V) available.



B-52860 MatrixSeries SURFACE-MOUNTED ROLL PAPER TOWEL DISPENSER

Durable ABS plastic; grey color. Delivers preset length of paper towel: 2" or 4" (50 or 100mm) per stroke. 4" (100mm) stub roll. Accepts standard core rolls 7 ¹/₄" to 8" (185 to 205mm) wide, up to 8" diameter (205mm). Unit 11 ⁵/₈" W, 15 ¹/₁₆" H (295 x 385mm), wall to lever 10 ¹/₈" (255mm). Patented.



NEW

Cost Saving features for Automatic, Universal Roll Towel Dispensers (see page 5)

B-72974 AUTOMATIC, UNIVERSAL SURFACE-MOUNTED ROLL TOWEL DISPENSER

Durable plastic construction; translucent navy cover. Locking cabinet. Unit 12 ³/₈" W, 15 ¹/₄" H, 9 ¹/₂" D (310 x 385 x 240mm). Operates with 4 "D" alkaline batteries (not included) or 6-volt DC power supply. Patented.

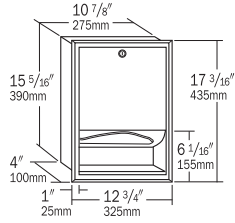
3974-57 AC External Adapter (6V) available.



B-253 SURFACE-MOUNTED ROLL TOWEL DISPENSER

Heavy-duty aluminum casting, satin finish. Molded plastic spindle has concealed locking device; removed with special key furnished. Controlled delivery. Holds paper towel rolls up to 6" (150mm) diameter. Unit 12 ¹/₂" wide and projects 4 ⁷/₈" from wall (320 x 125mm).

Paper Towel Dispensers



⚡B-359 ClassicSeries RECESSED PAPER TOWEL DISPENSER



Satin-finish stainless steel. Seamless beveled flange. Dispenses 350 C-fold or 475 multifold towels. Door equipped with full-length stainless steel piano-hinge at bottom; swings down for easy filling. Rough Wall Opening: 11 1/4" W, 15 5/8" H, 4" min. depth (285 x 395 x 100mm). Av. Mtg. Ht.: 67" (1700mm) to top of unit; Barrier-Free, 52 1/2" (1335mm).

⚡369-130 TowelMate Accessory



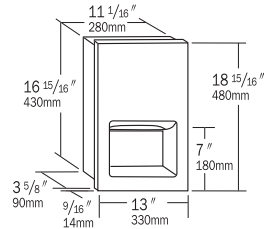
⚡B-2621 ClassicSeries SURFACE-MOUNTED PAPER TOWEL DISPENSER



Satin-finish stainless steel. Dispenses 200 C-fold or 275 multifold towels. Door has knob-latch. Hemmed towel tray opening. Unit 10 3/4" W, 7 1/8" H, 4" D (275 x 180 x 100mm). Av. Mtg. Ht.: 58-62" (1475-1575mm) to top of unit; Barrier-Free, 47" (1195mm).

B-26212 Similar to B-2621, but with tumbler lock.

⚡262-130 TowelMate Accessory



B-35903 TrimLineSeries RECESSED PAPER TOWEL DISPENSER



Satin-finish stainless steel. Door has 90° return, conceals flange. Dispenses 300 C-fold or 400 multifold towels. Rough Wall Opening: 11 1/2" W, 17 1/4" H, 3 3/4" min. depth (290 x 440 x 95mm). Av. Mtg. Ht.: 67" (1700mm) to top of unit; Barrier-Free, 52" (1320mm).

⚡369-130 TowelMate Accessory



⚡B-263 SURFACE-MOUNTED PAPER TOWEL DISPENSER

Satin-finish stainless steel. Tumbler lock on top of cabinet. Dispenses 400 singlefold towels. Cabinet slots indicate refill time. Unit 12 1/8" W, 7 1/4" H, 6 1/8" D (310 x 185 x 155mm).

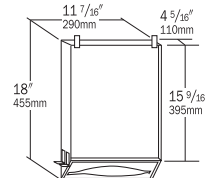


NEW

⚡B-4262 ConturaSeries SURFACE-MOUNTED PAPER TOWEL DISPENSER WITH TowelMate

Satin-finish stainless steel. Tumbler lock on top of cabinet. Door swings down for loading towels. Dispenses 400 C-fold or 525 multifold towels. Cabinet slots indicate refill time. Unit 10 13/16" W, 13 1/4" H, 4 7/8" D (275 x 335 x 125mm).

Note: See page 8 for TowelMates for existing units.



B-318 RECESSED PAPER TOWEL DISPENSER



Satin-finish stainless steel. Dispenses 600 C-fold or 800 multifold towels. Towels load into bottom of cabinet concealed behind wall or mirror; only the towel tray is visible. Rough Wall Opening: 12" W, 18 1/4" H (305 x 465mm) to accept cabinet height, plus 6" (150mm) min. clearance space below towel tray; 4 1/2" (115mm) min. depth. Av. Mtg. Ht.: 68-73" (1725-1855mm) to top of unit; Barrier-Free, 56 3/4" (1440mm).



⚡B-262 ClassicSeries SURFACE MOUNTED PAPER TOWEL DISPENSER



Satin-finish stainless steel. Dispenses 400 C-fold or 525 multifold towels. Door has tumbler lock and piano-hinge. Hemmed towel tray opening. Unit 10 3/4" W, 14" H, 4" D (275 x 355 x 100mm). Av. Mtg. Ht.: 66-70" (1675-1780mm) to top of unit; Barrier-Free, 54" (1370mm).

⚡B-2620 Similar to B-262, but with knob-latch.

⚡262-130 TowelMate Accessory

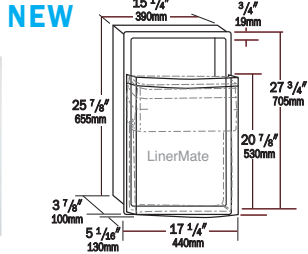


⚡B-5262 MatrixSeries™ SURFACE-MOUNTED PAPER TOWEL DISPENSER

Durable ABS plastic; grey color. Dispenses 400 C-fold or 525 multifold towels. Cabinet slots indicate refill time. Door has concealed locking device. Unit 11 1/2" W, 15 1/4" H, 4 3/4" D (290 x 385 x 120mm). Patented.

5262-25 INTERNAL TOWEL TRAY ADAPTER KIT Optional for B-5262 to dispense narrower paper towels 2 1/2"-3 1/8" (64-79mm) deep.

Waste Receptacles



B-43644 ConturaSeries RECESSED WASTE RECEPTACLE WITH LinerMate



Satin-finish stainless steel. Removable front panel for easy cleaning. Capacity: 12.8-gal. (48.3-L). Rough Wall Opening: 15 7/8" W, 26 1/4" H, 4" min. depth (405 x 665 x 100mm). Universal/Barrier-Free Mtg. Ht.: 43-47" (1090-1195mm) to top of unit.

Note: See page 8 for LinerMates for existing units.



B-2250 FLOOR-STANDING WASTE RECEPTACLE WITH TOP

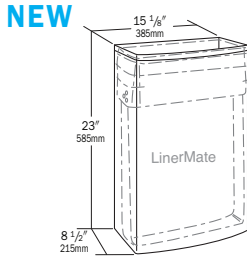
Satin-finish stainless steel. Top with self-closing doors. Vinyl wall bumper, rubber feet. Hooks for liners. Capacity: 13-gal. (49.2-L). Unit 12 1/2" x 12 1/2" (320 x 320mm) at top, 29 1/2" (750mm) high.



B-2280 FLOOR-STANDING OPEN-TOP WASTE RECEPTACLE

Satin-finish stainless steel. Open top. Vinyl wall bumper, rubber feet. Liner hooks. Capacity: 21-gal. (79.5-L). Unit 14" x 14" (355 x 355mm) at top, 30" (760mm) high.

B-2260 Similar to B-2280, but with 13-gal. (49.2-L) capacity. Unit 12 1/2" x 12 1/2" (320 x 320mm) at top, 22" (560mm) high.



B-277 ConturaSeries SURFACE-MOUNTED WASTE RECEPTACLE WITH LinerMate

Satin-finish stainless steel. Capacity: 12.75-gal. (48.3-L). Top edges are hemmed and bottom of waste receptacle has recessed finger grip for safe handling. Unit 15 1/8" W, 23" H, 8 1/2" D (385 x 585 x 215mm).

Note: See page 8 for LinerMates for existing units.



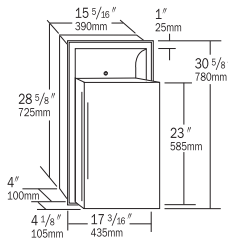
B-2300 FLOOR-STANDING DOME-TOP WASTE RECEPTACLE

Satin-finish stainless steel body with black steel-domed top. Removable top with fingerprint-resistant textured powder coated finish has 6" (150mm) diameter opening for hygienic, no-touch disposal of waste. Galvanized steel liner has grommets lift holes. Capacity: 18-gal. (68-L). Unit 15" diameter, 31" H (380 x 785mm).



B-2400 FLOOR-STANDING LARGE-CAPACITY WASTE RECEPTACLE

Satin-finish stainless steel. Removable funnel top with 8 1/4" (210mm) diameter opening for hygienic, no-touch disposal of waste. Four heavy-duty rubber feet. Galvanized-steel waste container has handle for easy removal. Capacity: 33-gal. (125-L). Unit 18 1/4" diameter, 32" high (465 x 815mm).



B-3644 ClassicSeries RECESSED WASTE RECEPTACLE



Satin-finish stainless steel. Seamless beveled flange. Removable, 12-gal. (45.4-L) receptacle locks into cabinet. Hooks hold optional vinyl liner. Rough Wall Opening: 16" W, 29 1/4" H, 4" min. depth (405 x 745 x 100mm). Universal/Barrier-Free Mtg. Ht.: 42-46" (1065-1170mm) to top of unit.

3944-134 LinerMate Accessory



B-5277 MatrixSeries SURFACE-MOUNTED WASTE RECEPTACLE

Impact-resistant polymer; grey color. Capacity: 13-gal. (49.2-L). Clips secure optional vinyl liner. Unit 17" W, 23" H, 9 1/2" D (430 x 585 x 240mm). Patented.



B-279 ClassicSeries SURFACE-MOUNTED WASTE RECEPTACLE

Satin-finish stainless steel. Bottom edges hemmed for safety. Hooks hold furnished reusable vinyl liner; removable for servicing. Capacity: 6.4-gal. (24.2-L). Unit 14" W, 18" H, 6" D (355 x 455 x 150mm).



B-275 SURFACE-MOUNTED WASTE RECEPTACLE

Satin-finish stainless steel. Bottom edges hemmed for maximum safety. Hooks hold furnished reusable vinyl liner; removable for servicing. Capacity: 20-gal. (75.7-L). Unit 16 1/2" W, 23" H, 12 1/2" D (420 x 585 x 320mm).



B-529 COUNTERTOP-MOUNTED CIRCULAR WASTE CHUTE



Rolled flange and exposed surfaces bright-polished stainless steel. Outside diameter 6 15/16" (175mm), inside diameter 5 1/2" (140mm), chute depth 5" (130mm). Rough Countertop Cutout: 5 5/8" diameter (140mm). Provides waste deposit access to receptacle (not furnished) placed under countertop. Universal/Barrier-Free: countertop must not exceed 34" (865mm) height and have a clearance of at least 29" (735mm) from the bottom of the apron to the finish floor.

New ADA-Compliant Napkin/Tampon Vendors

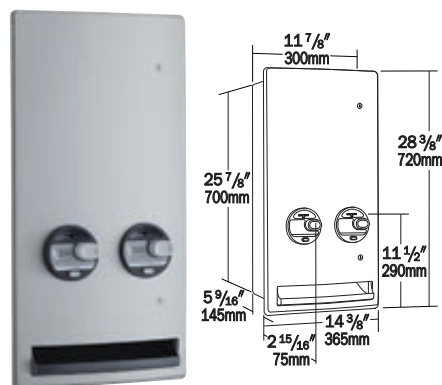


Push-Button Operation, Less Than 5 Lb of Force, No Grasping, Pinching or Twisting of the Wrist

- Meets ADA-ABA and ICC/ANSI Accessibility Guidelines for Operation.
- Easy access product tray.
- Single-coin slots are key to jam-resistant operation.
- Accepts one or two quarters (U.S. or Canadian).
- Push-button coin return cancels product selection.
- Patented.



- Returned coins or wrong coins (1¢, 5¢, 10¢) by-pass mechanism and drop into product tray.
- Empty product indicator automatically blocks coin slot.
- Easy product loading, no weights.
- Holds 30 tampons, 20 napkins.
- Two tumbler door locks keyed like other Bobrick accessories.
- Separately-keyed coin box lock for management access.
- Easy 25¢ to 50¢ field coin conversion.
- Type 304 satin-finish stainless steel on exposed surfaces.



ConturaSeries

B-4706 25 RECESSED* B-4706 50

Door with 27° arc and two flush door locks; soft radius on edges and corners.

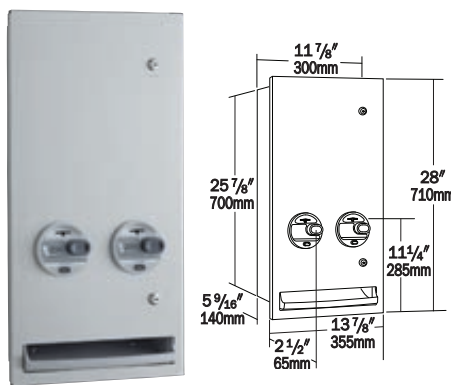
B-47064 25 SEMI-RECESSED B-47064 50

Similar to B-4706, but with stainless steel skirt for semi-recessing in 4" (100mm) deep walls.

B-47069 25 SURFACE MOUNTED

B-47069 50

Similar to B-4706, but with stainless steel skirt for surface mounting.



TrimLineSeries

B-37063 25 RECESSED* B-37063 50

Flat door design has 90° returns, conceals flange.

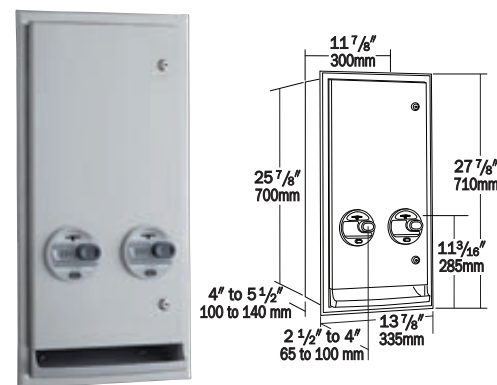
⚡B-370634 25 SEMI-RECESSED* B-370634 50

Similar to B-37063, but with stainless steel skirt for semi-recessing in 4" (100mm) deep walls.

B-370639 25 SURFACE MOUNTED

B-370639 50

Similar to B-37063, but with stainless steel skirt for surface mounting.



ClassicSeries

⚡B-3706 25 RECESSED* OR SEMI-RECESSED B-3706 50

Adjustable seamless beveled flange allows fully-recessed installation in 6" (150mm) deep walls or semi-recessed installation in 4" to 6" (100 to 150mm) deep walls.



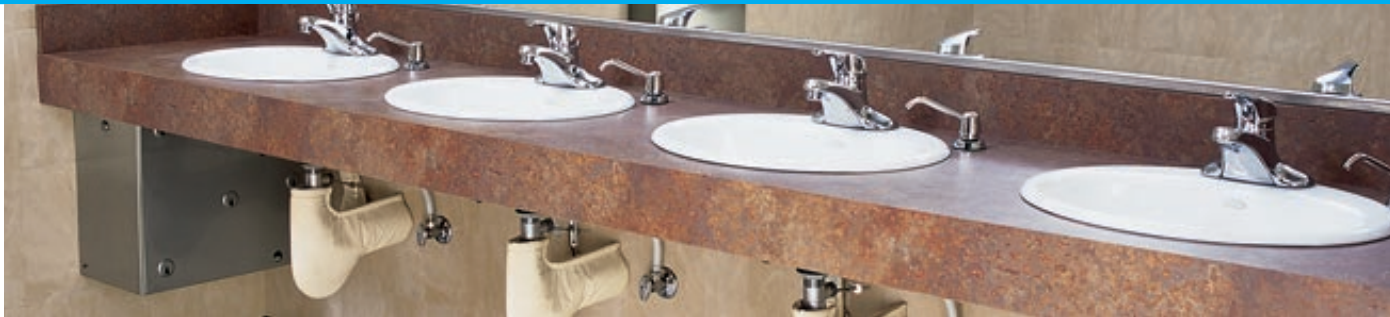
⚡B-2706 25 SURFACE MOUNTED B-2706 50

Similar to B-3706 without adjustable flange for surface mounting.

Series	Model No.	Mounting	Skirt/Flange Depth	Unit Measures W x H x D	Rough Wall Opening (RWO) W x H	RWO Min. Depth	Average Mounting Height	Barrier-Free Mounting Height	Projection from wall (incl. push button)	
ConturaSeries®	B-4706	Recessed	n/a	See Illustration	12 1/2" x 26 3/8" 320mm x 670mm	5 9/16" 140mm	73" to 77" to the top of the unit. (1855x1955 mm)	63" to the top of the unit. (1600 mm)	*2 19/16" (75mm)	
	B-47064	Semi-Recessed	1 3/4" 45 mm						4 9/16" (115mm)	
	B-47069	Surface	5 3/4" 145 mm						8 9/16" (220mm)	
TrimLineSeries™	B-37063	Recessed	n/a	See Illustration	12 1/2" x 26 3/8" 320mm x 670mm	5 9/16" 140mm	73" to 77" to the top of the unit. (1855x1955 mm)	63" to the top of the unit. (1600 mm)	*2 1/2" (65mm)	
	B-370634	Semi-Recessed	1 11/16" 45 mm						3 7/8" 100mm	*4.0" (100mm)
	B-370639	Surface	5 9/16" 140 mm						14" x 28" x 8" 355x710x205mm	n/a
ClassicSeries®	B-3706	Recessed	Adj. Flange	See Illustration	12 1/2" x 26 3/8" 320mm x 670mm	5 1/2" 140mm	73" to 77" to the top of the unit. (1855x1955 mm)	63" to the top of the unit. (1600 mm)	*2 1/2" (65mm)	
		Semi-Recessed	n/a						4"-5 1/2" 100-140mm	*4.0" (100mm)
	B-2706	Surface	n/a	11 7/8" x 25 7/8" x 8" 300x660x205mm	n/a	n/a	8.0" (205mm)			

⚡ *Complies with ADA-ABA and ICC/ANSI Protruding Objects Limit of maximum 4" (100mm) protrusion into circulation path depending on wall depth.

SureFlo Soap Dispensing System



BOBRICK SureFlo® SOAP SYSTEM

SureFlo SOAP SYSTEM CABINET

Accommodates one 12-liter (13,000 handwashes) SureFlo Soap Cartridge. Cabinet is equipped with a concealed 2-liter (2,000 handwashes) soap reservoir. Cabinet is constructed of type 304 stainless steel. Door has satin finish and tumbler lock, keyed like other Bobrick washroom accessories. Cabinet is equipped with Low Soap Indicator (LSI) Light. Cabinet is mounted under lavatory countertop on left or right side walls, or rear wall. Includes tubing and connectors. Cabinet furnished with one 12-liter cartridge of Bobrick SureFlo Soap. Cabinet 10" W, 15 1/4" H in front, 16 1/2" H in rear, 18 5/8" D (255 x 385-420 x 475mm). Patented.

B-830.12 Soap System Cabinet with one 12-liter cartridge of Pink Lotion SureFlo Soap.

B-830.13 Soap System Cabinet with one 12-liter cartridge of Premium Gold SureFlo Soap.

B-830 SOAP DISPENSER SOAP PUMP (360° FREE TURNING), MOUNTING SHANK KITS

One kit required for each lavatory-mounted soap dispenser. Also requires one 830-341 Connector Kit for each soap dispenser.

PART NO.	SOAP PUMP, MOUNTING SHANK KITS
830-359	4" (100mm) Spout Length, Bright-Polished Stainless Steel (B-822)
830-372	6" (150mm) Spout Length, Bright-Polished Stainless Steel (B-8226)

Note: Maximum Countertop Mounting Thickness 1 3/4" (45mm). For thicker countertops up to 4 3/4" (110mm) order Bobrick part number 822-402.

830-341 SureFlo CONNECTOR KITS FOR B-830 SERIES SOAP DISPENSERS

One kit required for each B-830 Series Soap Dispenser. Includes vandal-resistant tubing and connectors for installation of B-830 SureFlo Soap Dispensing System.

HOW TO SPECIFY/ORDER:

B-830.12, or **B-830.13** Soap System Cabinet.


830-359 or **830-372** Soap Dispenser Soap Pump, Mounting Shank Kit.

830-341 Connector Kit. One kit required for each soap dispenser.

SureFlo SOAP SYSTEM SOAP CARTRIDGES

Formulated especially for Bobrick B-830 Series Lavatory-Mounted Soap Dispenser Systems.

 **B-81312** Premium Gold Soap, 12-liter (13,000 handwashes)

 **B-81212** Pink Lotion Soap, 12-liter (13,000 handwashes)

WARRANTY

Only Bobrick SureFlo Soaps should be used in B-830 Series Lavatory-Mounted Soap Dispenser SureFlo Soap System. Use of any other soap will void the warranty provided for the B-830 Series Soap Dispensers used in the SureFlo Soap System. See page 40 for warranties and limitations on Bobrick's SureFlo Soap System.

Lavatory Mounted Soap Dispensers



B-826 SERIES LIQUID SOAP DISPENSER



B-8263 SERIES FOAM SOAP DISPENSER

NEW



B-822 SERIES SOAP DISPENSERS

For ease of maintenance and labor savings • Vandal-resistant locking cover and free-turning spout • Corrosion-resistant • Bright-polished spout, cover and escutcheon • High-impact-resistant ABS body and shank • Shatter-resistant polyethylene container • Patented



B-822



B-8221

LIQUID & LOTION SOAPS, AND SYNTHETIC DETERGENT DISPENSERS:

MODEL NUMBER	CAPACITY	SPOUT LENGTH	MAX. MTG. THICKNESS
B-822	34-fl oz (1.0-L)	4" (100mm)	4" (100mm)
B-8221	20-fl oz (0.6-L)	4" (100mm)	1" (25mm)
B-8226	34-fl oz (1.0-L)	6" (150mm)	4" (100mm)
B-82216	20-fl oz (0.6-L)	6" (150mm)	1" (25mm)

IMPORTANT NOTE:

All Bobrick B-822 Series Soap Dispensers are designed to dispense commercially marketed all-purpose hand soaps including liquid and lotion soaps, synthetic detergents, and antibacterial soaps containing PCMX and/or Triclosan. Bobrick soap dispensers are not designed to dispense alcohol-based hand sanitizers or iodine-based surgical soaps.

AUTOMATIC SOAP DISPENSERS, LIQUID AND FOAM



Automatic touch-free sensor eliminates cross contamination. Meets Barrier-Free accessibility standards. Sensor detects user's hand to automatically dispense controlled amount (0.8ml) of soap; activation range is 4" (100mm) from sensor lens. Reduces soap usage, waste. Bright-polished chrome spout cover.

Dispenses 1000 handwashes per 800ml, 2000 handwashes per 1600ml OneShot® soap refills. Soap refills available from sanitary supply distributors. Red LED light blinks when soap refill is low. Yellow LED light blinks when battery life is low (average battery life 90 soap refills or 2 years). Water-resistant battery compartment and motor housing.

Mounts through 1" (25mm) diameter hole in lavatory or countertop. Maximum countertop mounting thickness 2" (50mm). Spacer for use with lavatory rim 3/4" (19mm) or greater is included. Battery requirements: 4 Alkaline D Cells (not included).

B-826 AUTOMATIC, LAVATORY-MOUNTED LIQUID SOAP DISPENSER

B-826.18 Starter Kit Includes B-826 Automatic Lavatory-Mounted Liquid Soap Dispenser, an 800ml lotion soap refill, and 4 Alkaline D Cell batteries.

B-8263 AUTOMATIC, LAVATORY-MOUNTED FOAM SOAP DISPENSER

B-8263.18 Starter Kit Includes B-8263 Automatic Lavatory-Mounted Foam Soap Dispenser, an 800ml foam soap refill, and 4 Alkaline D Cell batteries.

826-20 AC ADAPTER (6V) for one B-826 or B-8263 Automatic Lavatory-Mounted Soap Dispenser.

Available on special order: All-metal soap dispenser for vandal-prone installations. AC Adapter (6V) for up to four B-826 or B-8263 Automatic Lavatory Mounted Soap Dispensers.

OneShot is a registered trademark of Rubbermaid Commercial Products.

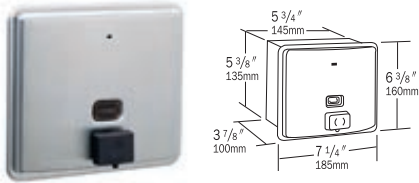
B-822 SERIES DESIGNER'S NOTES:

- Mount through 1" (25mm) diameter hole in lavatory or countertop.
- Diameter of escutcheon: 2 1/16" (50mm).
- Maximum height from base of body to bottom of container: 14 5/8" (370mm) for B-822, B-8226; 8 1/4" (210mm) for B-8221, B-82216. Allow clearance below basin for 3 1/2" (90mm) diameter container.
- Mount with end of spout extending over inner edge of bowl.

B-826 AND B-8263 SERIES DESIGNER'S NOTES:

- Maximum height from base of dispenser to bottom of refill 14 1/4" (360mm) for 800ml refill; 16 1/4" (415mm) for 1600ml refill.
- Allow 5" (125mm) diameter clearance below lavatory or countertop for motor housing and 800ml refill. For 1600ml refill allow 5 1/2" (140mm) diameter clearance.
- Battery compartment equipped with 36" (915mm) cord, mounts on wall under lavatory or countertop.

Soap Dispensers



B-4063 ConturaSeries RECESSED SOAP DISPENSER



Dispenses all-purpose soaps. Drawn, 20-gauge (1.0mm), one-piece front, satin-finish stainless steel with vessel attached to back. Capacity: 50-fl oz (1.5-L). Pulls out for filling. Concealed locking device. Wall to push-button, 1 5/8" (40mm). Rough Wall Opening: 5 7/8" W, 5 1/2" H, 4" min. depth (150 x 140 x 100mm). Universal/Barrier-Free Mtg. Ht.: 49" (1245mm) to top of unit with push-button 44" (1120mm) above floor.



B-4112 ConturaSeries SURFACE MOUNTED SOAP DISPENSER



Corrosion-resistant valve dispenses commercially marketed all-purpose hand soaps. Container is satin-finish stainless steel. Capacity: 40-fl oz (1.2-L). Soap refill window. Concealed wall fastening. Hinged filler-top requires special key to open. Vandal-resistant. Unit 7" W, 6 1/8" H (180 x 155mm); wall to push-button, 3 5/16" (85mm). Universal/Barrier-Free Mtg. Ht.: 49" (1245mm) to top of unit with push-button 44" (1120mm) above floor.



B-2111 ClassicSeries SURFACE MOUNTED SOAP DISPENSER



Vertical tank is satin-finish stainless steel. Valve dispenses all-purpose hand soaps. Capacity: 40-fl oz (1.2-L). Soap refill window. Concealed wall fastening. Hinged filler-top requires special key to open. Vandal-resistant. Unit 4 3/4" W, 8 1/8" H (120 x 205mm); wall to push-button, 3 1/2" (90mm). Universal/Barrier-Free Mtg. Ht.: 50 7/8" (1290mm) to top of unit with push-button 44" (1120mm) above floor.



B-2112 ClassicSeries SURFACE MOUNTED SOAP DISPENSER

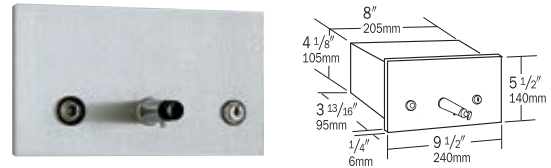


Horizontal tank is satin-finish stainless steel. Valve dispenses all-purpose hand soaps. Capacity: 40-fl oz (1.2-L). Soap refill window. Concealed wall fastening. Hinged filler-top requires special key to open. Vandal-resistant. Unit 8 1/8" W, 4 3/4" H (205 x 120mm); wall to push-button, 3 1/2" (90mm). Universal/Barrier-Free Mtg. Ht.: 47 1/2" (1205mm) to top of unit with push-button 44" (1120mm) above floor.



B-4112-79 RETROFIT ALL-PURPOSE VALVE

Available for Models B-4063, B-4112, B-2111, B-2112 and B-2014. Field-replaceable corrosion-resistant valve dispenses most commercially marketed all-purpose hand soaps. Valve operates with less than 5 lbs. of force (22.2 N).



B-306 TrimLineSeries RECESSED SOAP DISPENSER



Satin-finish stainless steel. Door: 90° return, conceals flange. Vessel on back of door swings open for filling. Hinge and tumbler lock secure door to cabinet. Capacity: 45-fl oz (1.3-L). Valve dispenses all-purpose soaps. Soap refill window. Rough Wall Opening: 8 3/8" W, 4 3/8" H, 3 7/8" min. depth (215 x 110 x 100mm). Universal/Barrier-Free Mtg. Ht.: 47 3/4" (1215mm) to top; push-button 44" (1120mm) above floor.



B-2111-79 SureFlo RETROFIT VALVE

For Models B-11, B-12, B-111, B-112, B-201, B-2014, B-2111, B-202, B-204, B-306, B-3067; B-310, B-320 and B-330 Series Combination Units. Valve operates with less than 5 lbs. of force (22.2 N).

Soap Dispensers



⚡B-40 ClassicSeries SURFACE-MOUNTED SOAP DISPENSER



Two-tone black and grey. Valve dispenses all-purpose soaps. Vandal-resistant lid has keyless locking device, pivots up for easy top filling. Translucent container provides visible soap level. Capacity: 40-fl oz (1.2-L). Concealed wall/mirror mounting, removable for cleaning. Unit 5 ¹³/₁₆" W, 6 ⁷/₈" H (150 x 175mm); wall to push-button, 3 ³/₁₆" (80mm). Universal/Barrier-Free Mtg. Ht.: 50" (1270mm) to top of unit with push-button 44" (1120mm) above floor. Patented.



⚡B-42 ClassicSeries SURFACE-MOUNTED SOAP DISPENSER



All-black. Valve dispenses all-purpose soaps. Vandal-resistant lid has keyless locking device, pivots up for easy top filling. Translucent container provides visible soap level. Capacity: 40-fl oz (1.2-L). Concealed wall/mirror mounting, removable for cleaning. Unit 5 ¹³/₁₆" W, 6 ⁷/₈" H (150 x 175mm); wall to push-button, 3 ³/₁₆" (80mm). Universal/Barrier-Free Mtg. Ht.: 50" (1270mm) to top of unit with push-button 44" (1120mm) above floor. Patented.



⚡B-155 ClassicSeries LiquidMate® WALL-MOUNTED SOAP DISPENSERS



Corrosion-resistant valve dispenses thin, free-flowing commercially marketed all-purpose hand soaps. Translucent polyethylene container provides visible soap level. 24-fl oz (0.7-L) capacity. Unit 4" W, 7 ⁵/₈" H (100 x 195mm). Universal/Barrier-Free Mtg. Ht.: 50 ¹/₂" (1285mm) to top of unit with push-button 44" (1120mm) above floor. Bright-polished, chrome-plated ABS mounting bracket.



⚡B-156 ClassicSeries LiquidMate WALL-MOUNTED SOAP DISPENSERS



Corrosion-resistant valve dispenses thin, free-flowing commercially marketed all-purpose hand soaps. Translucent polyethylene container provides visible soap level. 24-fl oz (0.7-L) capacity. Unit 4" W, 7 ⁵/₈" H (100 x 195mm). Universal/Barrier-Free Mtg. Ht.: 50 ¹/₂" (1285mm) to top of unit with push-button 44" (1120mm) above floor. Beige ABS mounting bracket.



⚡B-5050 MatrixSeries SURFACE-MOUNTED SOAP DISPENSER



Impact-resistant polymer; grey color. Valve dispenses all-purpose hand soaps, removable for easy maintenance. Lid has concealed locking device. Concealed wall/mirror mounting. Large-capacity container: 50-fl oz (1.5-L). Unit 6" W, 8 ¹/₈" H (150 x 205mm); wall to push-button, 4" (100mm). Universal/Barrier-Free Mtg. Ht.: 51" (1295mm) to top of unit with push-button 44" (1120mm) above floor. Patented.

DESIGNER'S NOTES:

All surface-mounted soap dispensers require 4" (100mm) minimum clearance above unit for filling.

IMPORTANT NOTE:

All Bobrick liquid soap dispensers are designed to dispense commercially marketed all-purpose hand soaps including liquid and lotion soaps, synthetic detergents, and antibacterial soaps containing PCMX and/or Triclosan. Bobrick soap dispensers are not designed to dispense alcohol-based hand sanitizers or iodine-based surgical soaps.

Mirrors



B-290 SERIES WELDED-FRAME MIRRORS

• One-piece, roll-formed $\frac{3}{4}$ " x $\frac{3}{4}$ " (19 x 19mm) angle-frame • Type 304 stainless steel angle with satin finish • Corners heliarc welded, ground and polished smooth • Beveled frame edge at mirror for improved appearance • No. 1 quality, $\frac{1}{4}$ " (6mm) glass mirror; warranted against silver spoilage for 15 years • Galvanized steel back • Secured to concealed wall hanger with theft-resistant mounting

MODEL NO.	W	H	MODEL NO.	W	H
B-290 1830	18"	30"	B-290 2448	24"	48"
B-290 1836	18"	36"	B-290 2460	24"	60"
B-290 2430	24"	30"	B-290 2472	24"	72"
B-290 2436	24"	36"			

SPECIAL-ORDER CUSTOM SIZE B-290 SERIES MIRRORS

Maximum size of one piece mirror: 144" x 72" (366 x 183cm).
Maximum frame size available: 180" x 72" (457 x 183cm) with two pieces of glass. To specify special sizes, use Series Number followed by width and height.

B-292 SERIES WELDED-FRAME MIRROR/SHELF COMBINATION

• Same mirror as B-290 Series • Type 304 satin-finish stainless steel shelf • Shelf projects 5" (127mm), with $\frac{3}{4}$ " (19mm) return on front and sides; front return edge hemmed for rigidity and safety • Shelf corners heliarc welded, ground and polished smooth

MODEL NO.	W	H	MODEL NO.	W	H
B-292 1830	18"	30"	B-292 2436	24"	36"
B-292 1836	18"	36"			

SPECIAL-ORDER CUSTOM SIZE B-292 SERIES MIRRORS

Maximum frame size available: 96" x 72" (244 x 183cm) with one piece of glass. Maximum size of shelf: 96" (244cm) furnished as one piece. To specify special sizes, use Series Number followed by width and height.

B-165 SERIES CHANNEL-FRAME MIRRORS

• One-piece, $\frac{1}{2}$ " x $\frac{1}{2}$ " x $\frac{3}{8}$ " (13 x 13 x 9.5mm) channel-frame • Type 430 stainless steel with bright-polished finish • Mitered corners • Frame screw permits easy replacement of glass • No. 1 quality, $\frac{1}{4}$ " (6mm) glass mirror; warranted against silver spoilage for 15 years • Galvanized steel back • Secured to concealed wall hanger with theft-resistant mounting

MODEL NO.	W	H	MODEL NO.	W	H
B-165 1824	18"	24"	B-165 2448	24"	48"
B-165 1830	18"	30"	B-165 2460	24"	60"
B-165 1836	18"	36"	B-165 4836	48"	36"
B-165 2430	24"	30"			
B-165 2436	24"	36"			

SPECIAL-ORDER CUSTOM SIZE B-165 SERIES MIRRORS

Maximum size mirror: 72" x 60" (183 x 152cm). To specify special sizes, use Series Number followed by width and height.

B-166 SERIES CHANNEL-FRAME MIRROR/SHELF COMBINATION

• Same mirror as B-165 Series • Type 304 satin-finish stainless steel shelf • Shelf projects 5" (127mm) with $\frac{3}{8}$ " (10mm) return on front and sides; front return edge hemmed for rigidity and safety

MODEL NO.	W	H	MODEL NO.	W	H
B-166 1824	18"	24"	B-166 1836	18"	36"
B-166 1830	18"	30"	B-166 2436	24"	36"

SPECIAL-ORDER CUSTOM SIZE B-166 SERIES MIRRORS

Maximum size mirror: 24" x 60" (61 x 152cm). Maximum shelf length: 24" (61cm). To specify special sizes, use Series Number followed by width and height.

Mirrors

STANDARD SIZE TEMPERED GLASS MIRRORS



B-2908 SERIES



B-1658 SERIES

Tempered glass mirrors are engineered for heavy-traffic, vandal-prone restrooms in K-12 school buildings, stadiums, outdoor recreation centers and low-supervision facilities such as parks and highway rest stops.

Tempered glass mirrors resist breakage and provide a measure of safety from broken glass, but differ in color and reflective quality from standard glass mirrors. Bobrick uses the highest quality tempered glass mirrors. Modest distortion or heat-generated markings are normal in the tempered glass mirror manufacturing process. Therefore, Bobrick will not accept returns of tempered glass mirrors with random distortion or markings.

B-2908 SERIES STANDARD SIZE TEMPERED GLASS WELDED-FRAME MIRRORS

- Same frame as B-290 Series
- 1/4" (6mm) tempered glass mirror

MODEL NO.	W	H
B-2908 1830	18" 30"	(46 x 76cm)
B-2908 1836	18" 36"	(46 x 91cm)
B-2908 2436	24" 36"	(61 x 91cm)

B-1658 SERIES STANDARD SIZE TEMPERED GLASS CHANNEL-FRAME MIRRORS

- Same frame as B-165 Series
- 1/4" (6mm) tempered glass mirror

MODEL NO.	W	H
B-1658 1830	18" 30"	(46 x 76cm)
B-1658 2436	24" 36"	(61 x 91cm)

SPECIAL-ORDER REFLECTIVE SURFACES

Polished Stainless Steel, Tempered and Laminated Glass Mirrors resist breakage and provide a measure of safety from broken glass, but differ in color and reflective quality from standard glass mirrors. Modest distortion is normal and not a returnable condition. Available on special order.

POLISHED STAINLESS STEEL

B-1656 Series Mirrors (up to 60" x 36"; 152 x 92cm)

B-2906 Series Mirrors (up to 60" x 24"; 152 x 61cm)

TEMPERED GLASS

B-1658 Series Mirrors (up to 72" x 48"; 183 x 122cm)

B-2908 Series Mirrors (up to 120" x 48"; 305 x 122cm)

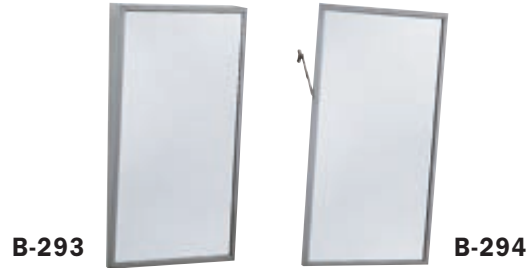
LAMINATED GLASS

B-1659 Series Mirrors (up to 72" x 48"; 183 x 122cm)

B-2909 Series Mirrors (up to 84" x 48"; 214 x 122cm)

DESIGNER'S NOTES:

To specify mirrors, use Series Number desired followed by width and height in inches. Width dimension must always be stated first following Series Number. Framed mirrors are manufactured to overall dimensions, as shown in all mirror tables on pages 20 and 21. Overall height of mirror/shelf models includes shelf. Framed mirrors must be installed with width and height dimensions as ordered. Mirror back and wall hanger cannot be installed side ways to reverse width and height dimensions. Provide minimum 3/4" (19mm) clearance at top of mirror for mounting on wall hanger and 1" (25mm) clearance on each side.



B-293 SERIES FIXED-POSITION TILT MIRRORS

Provide visibility for wheelchair patients. Frame is type 304 stainless steel, satin finish. Beveled edges of frame hug mirror; provides gapless fit for improved appearance, and safety when cleaning mirror. No. 1 quality, 1/4" (6mm) glass mirror; warranted against silver spoilage for 15 years. Mirror extends 4" (100mm) from wall at top and tapers to 1" (25mm) at bottom.

MODEL NO.	W	H	MODEL NO.	W	H
B-293 1630	16" 30"	(41 x 76cm)	B-293 1836	18" 36"	(46 x 91cm)
B-293 1830	18" 30"	(46 x 76cm)	B-293 2436	24" 36"	(61 x 91cm)

SPECIAL-ORDER CUSTOM SIZE B-293 SERIES MIRRORS

Maximum size mirror: 36" x 48" (91 x 122cm).

B-294 SERIES ANGLE-FRAME TWO POSITION TILT MIRROR

Tilt forward to provide full visibility for wheelchair patients or return to upright position. Frame is 3/4" x 3/4" (19 x 19mm), type 304 stainless steel angle, satin finish. Beveled edges of frame hug mirror; provides gapless fit for improved appearance, and safety when cleaning mirror. No. 1 quality, 1/4" (6mm) glass mirror; warranted against silver spoilage for 15 years. Top of mirror tilts 7" (180mm) from wall with self-locking mechanisms; bottom of mirror mounts to wall with full-length stainless steel hinge.

MODEL NO.	W	H
B-294 1630	16" 30"	(41 x 76cm)

SPECIAL-ORDER CUSTOM SIZE B-294 SERIES MIRRORS

Maximum size mirror: 24" x 36" (61 x 91cm).



B-1556 SERIES FRAMELESS MIRRORS

Bright-polished stainless steel. Mirror has 1/4" (6mm) return concealing 1/4" (6mm) tempered masonite backing. Furnished with four mounting screws.

MODEL NO.	W	H	MODEL NO.	W	H
B-1556 1824	17 1/2" 23 1/2"	(44 x 60cm)	B-1556 2436	23 1/2" 35 1/2"	(60 x 90cm)
B-1556 1830	17 1/2" 29 1/2"	(44 x 75cm)			



B-942 FRAMELESS MIRROR (FRONT SECURED)

Mirror is 11 1/4" x 17 1/4" (285 x 440mm) overall, 1/4" (6mm) deep. 18-gauge (1.2mm), type 430 stainless steel with bright-polished finish.

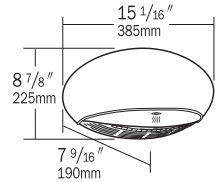


Warm Air Hand Dryers



B-740 Eclipse® SURFACE-MOUNTED HAND DRYER

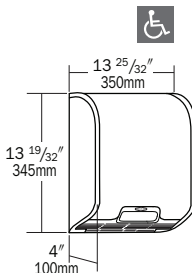
Durable, drawn-steel white vitreous enamel cover, automatic sensor, ⚡115V AC, 20 Amp, 2300 Watts, 50/60 Hz, cULus Listed, or 208-240V AC, 9-10 Amp, 1900-2400 Watts, 50/60 Hz, cULus Listed, VDE approved, CE marked and CCC approved. Patented.



NEW

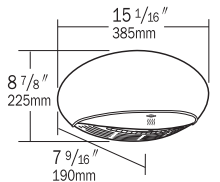
B-7128 TrimLineSeries ADA SURFACE-MOUNTED HAND DRYER

Durable, 18-gauge, type 304 satin-finish stainless steel cover with black plastic trim, automatic sensor, dual air outlets, ⚡115V AC, 15 Amp, 1725 Watts, 50/60 Hz, Single Phase, cULus Listed, or 208-240V AC, 6.8-7.8 Amp, 1400-1900 Watts, 50/60 Hz, Single Phase, cULus Listed, VDE approved, and CE marked. Patent pending.



B-748 Eclipse SURFACE-MOUNTED HAND DRYER

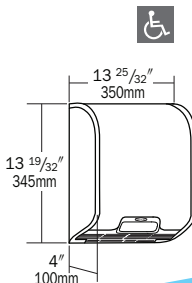
Durable, drawn-steel bright-polished chrome-plated cover, automatic sensor, 115V AC, 20 Amp, 2300 Watts, 50/60 Hz, cULus Listed, or 208-240V AC, 9-10 Amp, 1900-2400 Watts, 50/60 Hz, cULus Listed, VDE approved, CE marked and CCC approved. Patented.



NEW

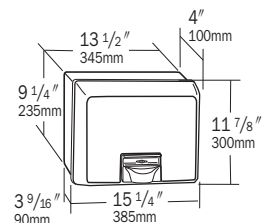
B-7120 TrimLineSeries ADA SURFACE-MOUNTED HAND DRYER

Durable, 22-gauge, zinc-plated steel with white epoxy cover with black plastic trim, automatic sensor, dual air outlets, ⚡115V AC, 15 Amp, 1725 Watts, 50/60 Hz, Single Phase, cULus Listed, or 208-240V AC, 6.8-7.8 Amp, 1400-1900 Watts, 50/60 Hz, Single Phase, cULus Listed, VDE approved, and CE marked. Patent pending.



B-750 AirCRAFT® ADA RECESSED HAND DRYER

Durable, cast-iron with white vitreous enamel finish, automatic sensor, ⚡115V AC, 20 Amp, 2300 Watts, 50/60 Hz, cULus Listed, or 208-240V AC, 9-10 Amp, 1900-2400 Watts, 50/60 Hz, cULus Listed, VDE approved, CE marked and CCC approved.

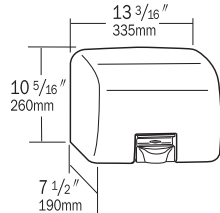


Warm Air Hand Dryers



B-708 AirGuard™ SURFACE-MOUNTED HAND DRYER

Durable, cast-iron with white vitreous enamel cover, automatic sensor, ⚡115V AC, 20 Amp, 2300 Watts, 50/60 Hz, cULus Listed.

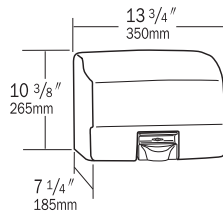


- 8 STYLING, PERFORMANCE AND PRICING CHOICES.
- 6 DISTINCTIVE DESIGNS, 6 MATERIALS/FINISHES.
- 5 ELECTRONIC PLATFORMS.
- 5 VANDAL-RESISTANCE LEVELS.
- ENVIRONMENTALLY RESPONSIBLE; ELIMINATES PAPER TOWELS AND PAPER TOWEL DISPOSAL.
- SAVES 95% OF THE COST OF HAND DRYING.
- MINIMIZES THE INCIDENCE OF PAPER TOWELS BEING USED TO STOP UP TOILETS AND URINALS, AND THE COST OF REPAIR AND CLEAN-UP.



B-700 AirCraft SURFACE-MOUNTED HAND DRYER

Cast-iron with white vitreous enamel finish, automatic (B-731, touch-button operation, 80-sec. drying cycle), ⚡115V AC, 20 Amp, 2300 Watts, 50/60 Hz, cULus Listed, or 208-240V AC, 9-10 Amp, 1900-2400 Watts, 50/60 Hz, cULus Listed, VDE approved, CE marked and CCC approved.



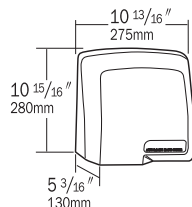
DESIGNER'S NOTES:

1. When ordering, specify voltage by adding 115V or 230V following model number, example: B-750 115V.
2. B-710 CompacDryer is not designed for vandal-prone installations. For vandal-prone installations, use Bobrick AirCraft and B-708 AirGuard dryers with cast-iron vitreous enamel finished covers, B-740 Eclipse dryer with drawn steel, vitreous enamel finished cover, or B-7128 TrimLine Dryer with satin-finish stainless steel cover.
3. Bobrick automatic hand dryers should be installed 15" (380mm) above any projection or horizontal surface which may interfere with the operation of the automatic sensor.
4. Bobrick dryers comply with EU Directive "Restriction of Hazardous Substances" (RoHS) requirements for non-use of certain hazardous substances in the production of electronic products.



B-710 CompacDryer™ SURFACE MOUNTED HAND DRYER

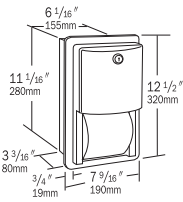
One-piece grey-molded plastic cover, automatic sensor, ⚡115V AC, 15 Amp, 1725 Watts, 60 Hz, cULus Listed. Patented.



WARRANTIES:

For product warranties and limitations information, see page 40.

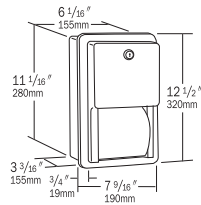
Toilet Tissue Dispensers



⚡ B-4388 ConturaSeries RECESSED MULTI-ROLL TOILET TISSUE DISPENSER



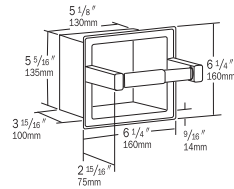
Satin-finish stainless steel unit and dispensing mechanism. Flush tumbler lock. Holds two rolls up to 5 1/4" (133mm) diameter (1800 sheets). Extra roll drops in place when bottom roll is depleted. Theft-resistant, heavy-duty spindles. Extends 2 3/4" (70mm) from wall. Rough Wall Opening: 6 1/4" W, 11 1/4" H, 3 1/4" min. depth (160 x 285 x 85mm). Av. Mtg. Ht.: 28 3/4–36 3/4" (730–935mm) to top of unit; Barrier-Free, 28 3/4" (730mm).



⚡ B-3888 ClassicSeries RECESSED MULTI-ROLL TOILET TISSUE DISPENSER



Satin-finish stainless steel unit and dispensing mechanism. Door has flat face with protruding tumbler lock. Holds two rolls up to 5 1/4" (133mm) diameter (1800 sheets). Extra roll drops in place when bottom roll is depleted. Theft-resistant, heavy-duty spindles. Extends 2 3/4" (70mm) from wall. Rough Wall Opening: 6 1/4" W, 11 1/4" H, 3 1/4" min. depth (160 x 285 x 85mm). Av. Mtg. Ht.: 28 3/4–36 3/4" (730–935mm) to top of unit; Barrier-Free, 28 3/4" (730mm).



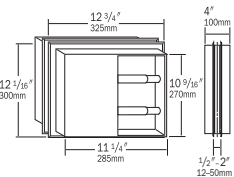
B-663 RECESSED TOILET TISSUE DISPENSER WITH STORAGE SPACE FOR EXTRA ROLL



Bright-polished stainless steel. Chrome-plated plastic spindle holds rolls up to 5 1/8" (130mm) diameter (1500 sheets). Recessed cabinet 3 15/16" (100mm) deep holds spare roll. Unit 6 1/4" W, 6 1/4" H (160 x 160mm). Rough Wall Opening: 5 1/2" W, 5 1/2" H, 4" min. depth (140 x 140 x 100mm). Universal/Barrier-Free Mtg. Ht.: 22 1/8" (560mm) to top of unit.

B-6637 Similar to B-663, but with satin finish.

Theft-resistant Spindle (Part No. 283-604) available as an option for above models, see page 26.



B-386 PARTITION-MOUNTED MULTI-ROLL TOILET TISSUE DISPENSER (SERVES 2 COMPARTMENTS)



Satin-finish stainless steel. Mounts centered through toilet partitions, 1/2–2" (12–50mm) thick; used from both sides. Holds four standard core toilet tissue rolls up to 5 1/8" (130mm) diameter; two for each side. Chrome-plated plastic spindles with heavy-duty internal springs. Rough Partition Opening: 11 1/2" W, 10 7/8" H (290 x 275mm). Av. Mtg. Ht.: 36" (915mm) to top of unit; Barrier-Free Mtg. Ht.: 27 1/2" (700mm). Theft-Resistant Spindle (Part No. 283-604) available as an option for above model, see page 26.



B-667



B-697



B-699



600 SERIES RECESSED TOILET TISSUE DISPENSERS

Type 304 stainless steel with one-piece seamless construction. • Choice of finish: bright-polished or satin. • Chrome-plated plastic spindles hold rolls up to 5 1/8" (130mm) diameter (1500 sheets). • Choice of capacity: single-roll models measure 6 1/8" W x 6 1/8" H (155 x 155mm); double-roll models measure 12 5/16" W x 6 1/8" H (315 x 155mm). • Mounting: clamps for securing to stud walls or countertop aprons. • Rough Wall Openings: single-roll models require 5 1/2" W x 5 1/4" H x 3 3/8" min. depth (140 x 135 x 85mm), double-roll models require 11 3/4" W x 5 1/4" H x 3 3/8" min. depth (300 x 135 x 85mm).

*MODEL NO.	CAPACITY		FINISH		STAINLESS STEEL HOODS
	1 ROLL	2 ROLLS	BRIGHT	SATIN	
B-667	✓		✓		
B-6677	✓			✓	
B-669	✓		✓		✓
B-6697	✓			✓	✓
B-697		✓	✓		
B-6977		✓		✓	
B-699		✓	✓		✓
B-6997		✓		✓	✓

*Theft-Resistant Spindle (Part No. 283-604), option for all models, pg. 26.



⚡ B-4288 ConturaSeries SURFACE-MOUNTED MULTI-ROLL TOILET TISSUE DISPENSER



Satin-finish stainless steel unit with stainless steel dispensing mechanism. Flush tumbler lock. Holds two rolls up to 5 1/4" (135mm) diameter (1800 sheets). Extra roll automatically drops in place when bottom roll is depleted. Theft-resistant, heavy-duty spindles. Unit 6 1/16" W, 11" H, 5 15/16" D (155 x 280 x 150mm). Av. Mtg. Ht.: 28–36" (710–915mm) to top of unit; Barrier-Free, 28" (710mm).



⚡ B-288 ClassicSeries SURFACE-MOUNTED MULTI-ROLL TOILET TISSUE DISPENSER



Satin-finish stainless steel unit with stainless steel dispensing mechanism. Door has flat face with protruding tumbler lock. Holds two rolls up to 5 1/4" (135mm) diameter (1800 sheets). Extra roll automatically drops in place when bottom roll is depleted. Theft-resistant, heavy-duty spindles. Unit 6 1/16" W, 11" H, 5 15/16" D (155 x 280 x 150mm). Av. Mtg. Ht.: 28–36" (710–915mm) to top of unit; Barrier-Free, 28" (710mm).

Toilet Tissue Dispensers



B-2892 ClassicSeries SURFACE-MOUNTED TWIN JUMBO-ROLL TOILET TISSUE DISPENSER



Satin-finish stainless steel. Equipped with tumbler lock. Spindles hold two 10" (255mm) diameter rolls with 2 1/4" (55mm) diameter core rolls; convertible for 3" (75mm) diameter core rolls. Sliding access panel exposes one roll at a time, allows easy roll change-over. Wide viewing slot in door. Quick reloading. Unit 20 13/16" W, 11 3/8" H, 5 5/16" D (530 x 290 x 135mm). Universal/Barrier-Free Mtg. Ht.: 30" (760mm) to top of unit.



B-52891 MatrixSeries SURFACE-MOUNTED JUMBO-ROLL TOILET TISSUE DISPENSER



Durable ABS plastic; grey color. Spindle holds one 10" (255mm) diameter roll with 3" (75mm) diameter core; convertible in field to hold 2 1/4" (55mm) diameter core roll. Concealed locking device. Viewing slot in door. Unit 10 3/4" W, 12 9/16" H, 5 1/4" D (275 x 320 x 135mm). Universal/Barrier-Free Mtg. Ht.: 31" (785mm) to top of unit. Patented.



B-2890 SINGLE JUMBO-ROLL SURFACE MOUNTED TOILET TISSUE DISPENSER



Satin-finish stainless steel. Equipped with spring lock. Spindle holds one 10" (255mm) diameter roll with 3" (75mm) diameter core. Convertible for 2 1/4" (70mm) and 1 5/8" (40mm) diameter core rolls. Powder-coated mounting plate. Slot reveals tissue supply. Unit 10 5/8" W, 10 5/8" H, 4 1/2" D (270 x 270 x 115mm). Universal/Barrier-Free Mtg. Ht.: 29 1/2" (750mm) to top of unit.



B-5288 MatrixSeries SURFACE-MOUNTED MULTI-ROLL TOILET TISSUE DISPENSER



Durable ABS plastic; grey color. Two-roll dispensing mechanism for rolls up to 5 3/4" (145mm) diameter (2000 sheets). Extra roll easily shifts into place when bottom roll is depleted. Concealed locking device. Unit 6 1/4" W, 13 1/2" H, 6 7/8" D (160 x 345 x 175mm). Av. Mtg. Ht.: 28-36" (710-915mm) to top of unit; Barrier-Free, 28" (710mm). Patented.



B-2740

B-2730

B-2740 ClassicSeries SURFACE-MOUNTED TOILET TISSUE DISPENSER FOR TWO ROLLS



Cast aluminum, satin finish. Plastic spindles, concealed locking device; theft-resistant. Holds two rolls up to 6" (150mm) diameter (2000 sheets). Unit 12 1/2" (320mm) wide, proj. 4 7/8" (125mm) from wall. No controlled delivery. Universal/Barrier-Free Mtg. Ht.: 19 3/4" (500mm) to top of unit.

B-274 Similar to B-2740, with controlled delivery.

B-2730 SINGLE ROLL TOILET TISSUE DISPENSER



Unit 6 1/2" (165mm) wide. No controlled delivery.

B-273 Similar to B-2730, with controlled delivery.



B-6699 SURFACE-MOUNTED TOILET TISSUE DISPENSER WITH HOOD FOR SINGLE ROLL



Bright-polished stainless steel. Hood protects paper. Chrome-plated plastic spindle holds rolls up to 5 1/8" (130mm) diameter (1500 sheets). Unit 6 3/16" W, 6 3/16" H (155 x 155mm); hood projects 4 3/4" (120mm) from wall with full roll in place. Universal/Barrier-Free Mtg. Ht.: 22" (560mm) to top of unit. **B-66997** Similar to B-6699, but with satin finish. **B-6999 TOILET TISSUE DISPENSER WITH HOODS FOR TWO ROLLS** Bright-polished finish. Unit 12 3/8" W, 6 3/16" H (315 x 155mm); hoods project 4 3/4" (120mm) from wall with full roll in place. **B-69997** Similar to B-6999, but with satin finish.



NEW

B-541 Cubicle Collection SPARE TOILET ROLL HOLDER

Satin-finish stainless steel. Threaded flange conceals mounting plate, provides snug fit to the wall. Vertical post accommodates one roll up to 5" (125mm) diameter and a core size from 3/4" (20mm) to 1 1/2" (40mm). Flange width 2" (50mm). Overall height 8" (205mm). Unit projects 3 1/2" (90mm) from wall.

See page 29 for the complete Cubicle Collection.



NEW

B-543 Cubicle Collection SURFACE-MOUNTED SINGLE ROLL TOILET TISSUE DISPENSER

Satin-finish stainless steel. Threaded flange conceals mounting plate, provides snug fit to the wall. Accepts standard-core size from 3/4" (20mm) up to 1 1/2" (40mm) and 4" (100mm) wide. Set screw in post prevents vandalism. Flange width 2" (50mm). Overall width 5 1/2" (140mm). Height 4 1/2" (115mm). Unit projects 1 5/8" (35mm) from wall.

See page 29 for the complete Cubicle Collection.


Toilet Tissue Dispensers




B-686



B-685

B-685 SURFACE-MOUNTED TOILET TISSUE DISPENSER FOR SINGLE ROLL 
Bright-polished stainless steel. Support-arm flanges lock to concealed stainless steel wall plate. Chrome-plated plastic spindle holds rolls up to 5 1/2" (140mm) diameter (1800 sheets). Unit 7 1/4" W, 2" H (185 x 50mm); projects 3 15/16" (100mm) from wall. Universal/Barrier-Free Mtg. Ht.: 20" (510mm) to top of unit.


B-6857 Similar to B-685, but with satin finish.

B-7685 ClassicSeries SURFACE-MOUNTED TOILET TISSUE DISPENSER FOR SINGLE ROLL 
Bright-polished stainless steel. Unit 7 1/4" W, 2" H (185 x 50mm); projects 3 15/16" (100mm) from wall.

B-76857 Similar to B-7685, but with satin finish.

B-686 SURFACE-MOUNTED TOILET TISSUE DISPENSER FOR TWO ROLLS 
Bright-polished stainless steel. Support-arm flanges lock to concealed stainless steel wall plate. Chrome-plated plastic spindle holds rolls up to 5 1/2" (140mm) diameter (1800 sheets). Unit 12 1/2" W, 2" H (320 x 50mm); projects 3 15/16" (100mm) from wall.

B-6867 Similar to B-686, but with satin finish.

B-7686 ClassicSeries SURFACE-MOUNTED TOILET TISSUE DISPENSER FOR TWO ROLLS 
Bright-polished stainless steel. Unit 12 1/2" W, 2" H (320 x 50mm); projects 3 15/16" (100mm) from wall.

B-76867 Similar to B-7686, but with satin finish.

Theft-Resistant Spindle (Part No. 283-604) available as an option for above models, see below.




B-264 ClassicSeries SURFACE-MOUNTED VANDAL-RESISTANT TOILET TISSUE DISPENSER FOR SINGLE ROLL
Bright-polished chrome-plated steel. Self-locking mechanism. Controlled delivery. Accommodates one standard-core toilet tissue roll up to 4 1/2" (115mm) diameter. Roll cannot be removed from dispenser until empty. Unit 6" W, 2 3/4" H (150 x 70mm); projects 4 1/4" (110mm) from wall.



B-265 ClassicSeries SURFACE-MOUNTED VANDAL-RESISTANT TOILET TISSUE DISPENSER FOR TWO ROLLS
Bright-polished chrome-plated steel. Self-locking mechanism. Controlled delivery. Accommodates two standard-core toilet tissue rolls up to 4 1/2" (115mm) diameter. Rolls cannot be removed from dispenser until empty. Unit 12 1/4" W, 2 3/4" H (310 x 70mm); projects 4 1/4" (110mm) from wall.



B-27460 SURFACE-MOUNTED TOILET TISSUE DISPENSER FOR TWO ROLLS 
Vandal-resistant unit: heavy-duty cast aluminum, satin finish. Tumbler lock secures spindles in place. High-impact plastic spindles hold rolls up to 6" (150mm) diameter (2000 sheets). Unit 14 1/8" (360mm) wide, projects 5 3/4" (135mm) from wall. No controlled delivery. Universal/Barrier-Free Mtg. Ht.: 20 1/8" (510mm) to top of unit. Patented.

B-2746 Similar to B-27460, with controlled delivery. Patented.



B-2840 SURFACE-MOUNTED TOILET TISSUE DISPENSER WITH SHELF
Satin-finish stainless steel. Shelf has 1/2" (13mm) returns, hemmed front edge. Chrome-plated plastic spindles hold rolls up to 5 1/2" (140mm) diameter (1800 sheets). Unit 16" W, 4" H, 5" D (405 x 100 x 125mm). Universal/Barrier-Free Mtg. Ht.: 22" (560mm) to top of unit.

Theft-Resistant Spindle (Part No. 283-604) available as an option for above model, see below.



#283-604 THEFT-RESISTANT SPINDLE
Molded plastic spindle with concealed locking feature is available as an option or replacement part for Bobrick surface-mounted and recessed toilet tissue dispensers. After rolls are depleted, spindle is removed with special key furnished; theft-resistant.



B-272 SURFACE-MOUNTED TOILET TISSUE CABINET
Satin-finish stainless steel. Equipped with tumbler lock; vandal-resistant. Dispenses either single- or double-fold toilet tissue. Large capacity: 1330 singlefold tissues. Slots in cabinet indicate refill time. May be refilled with full standard pack before dispenser is empty. Unit 5" W, 8 15/16" H, 3" D (125 x 225 x 710mm).


Toilet Compartment Accessories




B-357

⚡ **B-357 ClassicSeries** PARTITION-MOUNTED SEAT-COVER DISPENSER, SANITARY NAPKIN DISPOSAL AND TOILET TISSUE DISPENSER

Mounts centered through toilet partition. Used from both sides, serviced from one side. Capacity: 0.8-gal. (3.0-L). Holds 500 toilet seat covers and two rolls of tissue for each compartment. Theft-resistant spindles. Rough Partition Opening: 15 1/2" W, 28 7/8" H (395 x 735mm). Av. Mtg. Ht.: 60" (1525mm) to top of unit.

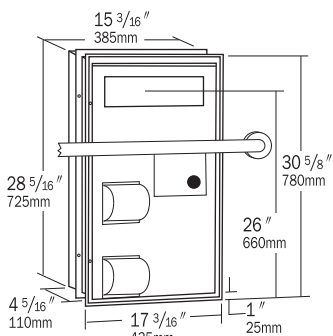
⚡ **B-3571** Similar to B-357, but one side mounts flush against partition of Barrier-Free compartment to allow clearance for grab bar. Universal/Barrier-Free Mtg. Ht.: 43 1/4" (1100mm) to top of unit. 

⚡ **B-3574** Similar to B-3571, but for recessed installation in side wall of single compartment. Holds 500 toilet seat covers and two rolls of tissue. Rough Wall Opening: 16" W, 29 1/4" H, 4" min. depth (405 x 745 x 100mm). Av. Mtg. Ht.: 60" (1525mm) to top of unit; Barrier-Free, 44 1/2" (1130mm). 

B-3579 Similar to B-3574, but with stainless steel skirt for surface mounting. Av. Mtg. Ht.: 60" (1525mm) to top of unit.

Dimensions typical for all partition-mounted models with toilet-seat-cover dispensers.

Cutouts in partitions for accessories can be pre-cut at factory if location and size of cutouts are specified and orders for both partitions and accessories are received together.



DESIGNER'S NOTES:

1. Partition-mounted units B-3471, B-3571 with one side flush to partition of Barrier-Free compartment have toilet tissue on left when facing unit.
2. Recessed units B-3474, B-3574 and surface-mounted units B-3479, B-3579 have toilet tissue on right when facing unit.
3. Position unit on panel or side wall with centerline of toilet tissue dispenser 7"-9" (180-230mm) in front of leading edge of toilet.
4. For B-3471 and B-3571 on left side of toilet (when seated on toilet) rear edge of panel cut-out should be 32 1/2" to 34 1/2" (825 to 876mm) from rear edge of panel to position toilet tissue dispensers centerline 7" to 9" (180 to 230mm) in front of leading edge of toilet. For units on right side of toilet, rear edge of panel cut-out should be 25" to 27" (635 to 685mm) from rear edge of panel. Cut-out locations based on toilet projecting 30" (760mm) from rear wall, and a 1/2" (13mm) gap between rear edge of panel and rear wall.
5. When combination units are mounted in an accessible toilet compartment through the shared toilet partition panel, the unit's location in the adjoining toilet compartment must permit the unit's complete operation, and allow for the unit's door to swing clear of the toilet when custodians service the unit.




B-3471

⚡ **B-3471 ClassicSeries** PARTITION MOUNTED SEAT-COVER DISPENSER AND TOILET TISSUE DISPENSER

One side mounts flush against partition of Barrier-Free compartment to allow clearance for grab bar. Used from both sides, serviced from one side. Holds 500 toilet seat covers and two rolls of tissue for each compartment. Theft-resistant spindles. Rough Partition Opening: 15 1/2" W, 28 7/8" H (395 x 735mm). Universal/Barrier-Free Mtg. Ht.: 43 1/4" (1100mm) to top of unit.

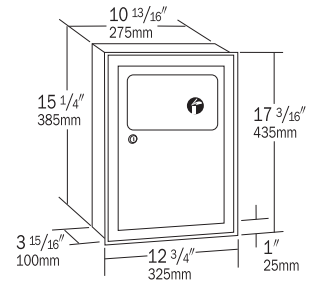
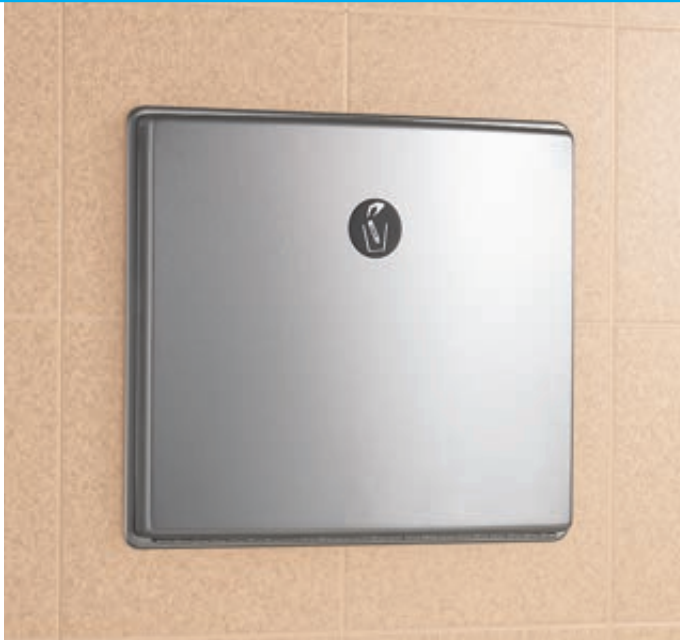
⚡ **B-347** Similar to B-3471, but mounts centered through toilet partition. Used from both sides, serviced from one side. Average Mounting Height: 60" (1525mm) to top of unit.

⚡ **B-3474** Similar to B-3471, but for recessed installation in side wall of single compartment. Holds 500 toilet seat covers and two rolls of tissue. Rough Wall Opening: 16" W, 29 1/4" H, 4" min. depth (405 x 745 x 100mm). Av. Mtg. Ht.: 60" (1525mm) to top of unit; Barrier-Free, 44 1/2" (1130mm). 

B-3479 Similar to B-3474, but with stainless steel skirt for surface mounting. Av. Mtg. Ht.: 60" (1525mm) to top of unit.

- Partition-Mounted Models B-347, B-3471, B-357, B-3571 mount through partitions 1/2" to 2" (13-51mm) thick, serving two compartments.
- Models B-3471, B-3474, B-3571, B-3574 meet accessibility guidelines.
- Toilet tissue dispensers hold 5 1/4" (135mm) diameter, 1800-sheet rolls.
- Flanges are one-piece seamless, doors secured with full-length stainless steel hinges, and tumbler locks keyed like other Bobrick models.
- Constructed of type 304 stainless steel throughout with satin finish on all exposed surfaces; welded construction.
- Theft-resistant spindles included.
- **353-12** Disposable Paper Liners, 1,000 per case available for models B-357, B-3571, B-3574, B-3579.

Sanitary Napkin Disposals

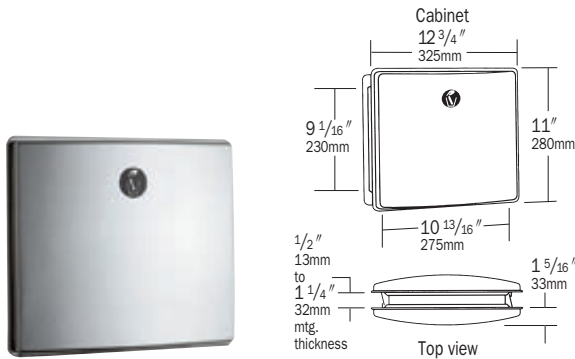


⚡ B-353 ClassicSeries RECESSED SANITARY NAPKIN DISPOSAL



Satin-finish stainless steel. Seamless beveled flange. Door has tumbler lock. Self-closing panel covers disposal opening. Removable, leak-proof, 1.2-gal. (4.6-L) plastic receptacle. Rough Wall Opening: 11 1/4" W, 15 5/8" H, 4" min. depth (285 x 395 x 100mm). Universal/Barrier-Free Mtg. Ht.: 31" (785mm) to top of unit.

353-12 Disposable paper liners. 1,000 per case.

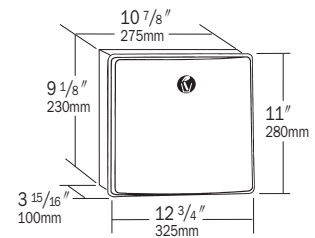


⚡ B-4354 ConturaSeries PARTITION MOUNTED SANITARY NAPKIN DISPOSAL



Satin-finish stainless steel. Mounts in toilet partition 1/2–1 1/4" (13–32mm) thick. Self-closing doors pull down with less than 5 lbs of force (22.2 N) for access to disposal. Removable, leak-proof, 0.7-gal. (2.7-L) plastic receptacle. Rough Partition Opening: 11" W, 9 3/8" H (280 x 240mm). Universal/Barrier-Free Mtg. Ht.: 31" (785mm) to top of unit. Patented.

353-12 Disposable paper liners. 1,000 per case.

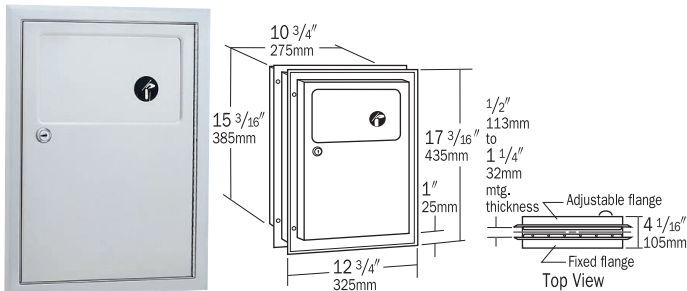


⚡ B-4353 ConturaSeries RECESSED SANITARY NAPKIN DISPOSAL



Satin-finish stainless steel. Self-closing door pulls down for access to disposal. Furnished with removable, leak-proof, 1.2-gal. (4.6-L) plastic receptacle. Rough Wall Opening: 11 1/4" W, 9 1/2" H, 4" min. depth (285 x 240 x 100mm). Universal/Barrier-Free Mtg. Ht.: 31" (785mm) to top of unit.

353-12 Disposable paper liners. 1,000 per case.

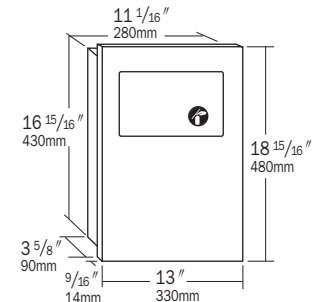


⚡ B-354 ClassicSeries PARTITION MOUNTED SANITARY NAPKIN DISPOSAL



Satin-finish stainless steel. Mounts in partitions 1/2–1 1/4" (13–32mm) thick. Self-closing panels cover openings. Removable, leakproof, 1.2-gal. (4.6-L) plastic receptacle. Rough Partition Opening: 11" W, 15 1/2" H (280 x 395mm). Universal/Barrier-Free Mtg. Ht.: 31" (785mm) to top of unit.

353-12 Disposable paper liners. 1,000 per case.



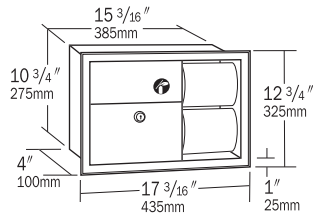
⚡ B-35303 TrimLineSeries RECESSED SANITARY NAPKIN DISPOSAL



Satin-finish stainless steel. Door has 90° return, conceals flange. Self-closing panel covers disposal opening. Removable, leak-proof, 1.2-gal. (4.6-L) plastic receptacle. Rough Wall Opening: 11 1/2" W, 17 1/4" H, 3 3/4" min. depth (290 x 440 x 95mm). Universal/Barrier-Free Mtg. Ht.: 31" (785mm) to top of unit.

353-12 Disposable paper liners. 1,000 per case.

Sanitary Napkin Disposals/Cubicle Collection



B-3094 ClassicSeries RECESSED SANITARY NAPKIN DISPOSAL AND TOILET TISSUE DISPENSER



Satin-finish stainless steel. Disposal door is self-closing. Receptacle retained in cabinet by tumbler lock. Capacity: $\frac{3}{4}$ -gal. (2.8-L). Holds two rolls up to 5 $\frac{1}{4}$ " (135mm) diameter (1800 sheets). Rough Wall Opening: 15 $\frac{5}{8}$ " W, 11 $\frac{1}{4}$ " H, 4" min. depth (395 x 285 x 100mm). Universal/ Barrier-Free Mtg. Ht.: 30" (760mm) to top of unit.

Theft-Resistant Spindle (Part No. 283-604) available as an option for above model, see page 26.



B-254 ClassicSeries SURFACE-MOUNTED SANITARY NAPKIN DISPOSAL



Satin-finish stainless steel. Door has tumbler lock. Self-closing panel covers disposal opening. Removable, leak-proof, 1.2-gal. (4.6-L) plastic receptacle. Unit 10 $\frac{1}{16}$ " W, 15 $\frac{1}{8}$ " H, 4 $\frac{1}{16}$ " D (270 x 385 x 105mm). Universal/Barrier-Free Mtg. Ht.: 30" (760mm) to top of unit.

353-12 Disposable paper liners. 1,000 per case.



B-270 ConturaSeries SURFACE MOUNTED SANITARY NAPKIN DISPOSAL



Satin-finish stainless steel. Cover is drawn, one-piece construction; secured to cabinet with full-length stainless steel piano-hinge. Capacity: 1.0-gal. (3.8-L). Unit 7 $\frac{1}{2}$ " W, 10" H, 3 $\frac{13}{16}$ " D (190 x 255 x 95mm). Universal/Barrier-Free Mtg. Ht.: 25–30" (635–760mm) to top of unit.

270-12 Disposable paper liners. 1,000 per case.



B-5270 MatrixSeries SURFACE-MOUNTED SANITARY NAPKIN DISPOSAL



Durable ABS plastic; grey color. Lid features fingertip handles for easy access. Capacity: 1.3-gal. (4.8-L). Unit 9 $\frac{1}{4}$ " W, 11 $\frac{3}{8}$ " H, 3 $\frac{7}{8}$ " D (235 x 290 x 100mm). Universal/ Barrier-Free Mtg. Ht.: 25–30" (635–760mm) to top of unit. Patented.

270-12 Disposable paper liners. 1,000 per case.



Cubicle Collection

B-541 SPARE TOILET ROLL HOLDER See page 25.

B-542 COAT HOOK See page 35.

B-543 SINGLE ROLL TOILET TISSUE DISPENSER
See page 25.

B-544 TOILET BRUSH HOLDER See page 36.

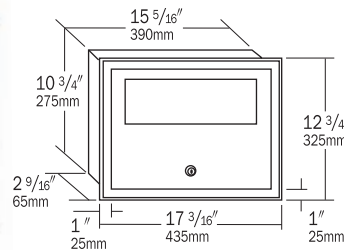
Toilet Seat Cover Dispensers



⚡B-4221 ConturaSeries SURFACE MOUNTED SEAT-COVER DISPENSER



Satin-finish stainless steel. Dispenses 250 single- or half-fold toilet seat covers. Fills from bottom. Unit 15 3/4" W, 11 1/4" H, 2 1/16" D (400 x 285 x 55mm). Av. Mtg. Ht.: 45–59" (1145–1500mm) to top of unit, Barrier-Free, 30–48" (760–1220mm). Allow 5" (125mm) minimum clearance from bottom of dispenser to top of any horizontal projection for filling dispenser from below unit.



⚡B-301 ClassicSeries RECESSED SEAT-COVER DISPENSER



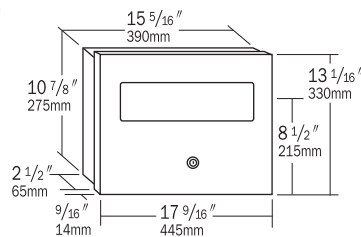
Satin-finish stainless steel. Seamless beveled flange. Dispenses 500 toilet seat covers. Rough Wall Opening: 15 5/8" W, 11" H, 2 5/8" min. depth (395 x 285 x 67mm). Av. Mtg. Ht.: 60" (1525mm) to top of unit; Barrier-Free, 49" (1245mm).



⚡B-221 ClassicSeries SURFACE MOUNTED SEAT-COVER DISPENSER



Satin-finish stainless steel. Dispenses 250 single- or half-fold toilet seat covers. Fills from bottom. Unit 15 3/4" W, 11" H, 2" D (400 x 280 x 50mm). Av. Mtg. Ht.: 45–59" (1145–1500mm) to top of unit, Barrier-Free, 30–48" (760–1220mm). Allow 5" (125mm) minimum clearance from bottom of dispenser to top of any horizontal projection for filling dispenser from below unit.



⚡B-3013 TrimLineSeries RECESSED SEAT-COVER DISPENSER



Satin-finish stainless steel. Door has 90° return, conceals flange. Dispenses 500 toilet seat covers. Rough Wall Opening: 15 5/8" W, 11 1/4" H, 2 3/4" min. depth (395 x 285 x 70mm). Av. Mtg. Ht.: 60" (1525mm) to top of unit; Barrier-Free, 49" (1245mm).



⚡B-5221 MatrixSeries SURFACE MOUNTED SEAT-COVER DISPENSER



Durable ABS plastic; grey color. Dispenses 250 single- or half-fold toilet seat covers. Fills from bottom. Unit 16 1/8" W, 11 1/2" H, 2 1/2" D (410 x 290 x 65mm). Av. Mtg. Ht.: 45–59" (1145–1500mm) to top of unit, Barrier-Free, 30–48" (760–1220mm). Allow 5" (125mm) minimum clearance from bottom of dispenser to top of any horizontal projection for filling dispenser from below unit. Patented.

Grab Bars



CONFIGURATIONS, DIMENSIONS, FINISHES:

1 1/2" (38MM) DIA. STRAIGHT/SATIN

- B-6806x12" (305mm)
- B-6806x18" (455mm)
- B-6806x24" (610mm)
- B-6806x30" (760mm)
- B-6806x36" (915mm)
- B-6806x42" (1065mm)
- B-6806x48" (1220mm)

1 1/4" (32MM) DIA. STRAIGHT/SATIN

- B-5806x18" (455mm)
- B-5806x24" (610mm)
- B-5806x30" (760mm)
- B-5806x36" (915mm)
- B-5806x42" (1065mm)
- B-5806x48" (1220mm)

1 1/2" (38MM) DIA. STRAIGHT/PEENED

- B-6806.99x18" (455mm)
- B-6806.99x24" (610mm)
- B-6806.99x30" (760mm)
- B-6806.99x36" (915mm)
- B-6806.99x42" (1065mm)

1 1/4" (32MM) DIA. STRAIGHT/PEENED

- B-5806.99x18" (455mm)
- B-5806.99x24" (610mm)
- B-5806.99x30" (760mm)
- B-5806.99x36" (915mm)
- B-5806.99x42" (1065mm)

CONCEALED MOUNTING WITH SNAP FLANGE

- Constructed of 18-gauge (1.2mm), type 304 satin-finish stainless steel tubing in 1 1/4" and 1 1/2" (32 and 38mm) diameters.
- Concealed mounting flange 1/8" (3mm) thick, type 304 stainless steel plate, 2" W x 3 1/8" H (50 x 80mm), with screw holes for concealed anchors.
- Cover is 22-gauge (0.8mm), type 304 stainless steel with satin finish, 3 1/4" (85mm) diameter.
- Cover snaps over mounting flange to conceal screws.
- Peened nonslip gripping surface available.



SERIES	DIAMETER	FINISH*
B-6806*	1 1/2" (38mm)	Satin Finish
B-5806*	1 1/4" (32mm)	Satin Finish

*Peened nonslip gripping surface available. Add suffix .99 to model number.

OPTIONAL MOUNTING KITS

Order one per flange. Part No. **252-30** (3) sheet-metal screws; **2521-30** (3) machine screws with toggle nuts; **2522-30** (3) machine screws with expansion shields.

OPTIONAL ANCHOR DEVICES

Order one per flange. Part No. **2583** anchors for 3/4" to 1" (19–25mm) panels; **2586** anchors for 1/2" (13mm) panels.



251-4 WingIt™ GRAB BAR FASTENER

For 2 1/2" and 3 1/2" (65 and 90mm) or deeper hollow walls with finished wall surfaces 1/4" to 1 1/2" (6 to 38mm) thick. One fastener required for each flange. Corrosion-resistant stainless steel. Install grab bars without backing. The fastener will support 300 lbs (136 kg) load. Patented.

WingIt™ is a trademark of WingIt Innovations, LLC.

TWO-WALL TUB/SHOWER TOILET COMPT.

- 24" W x 36" D (61 x 91cm)
- 1 1/2" (38mm) Dia.
- B-68616 Satin
- B-68616.99 Peened
- 1 1/4" (32mm) Dia.
- B-58616 Satin
- B-58616.99 Peened

TWO-WALL TUB/SHOWER TOILET COMPT.

- 36" W x 54" D (91 x 137cm)
- 1 1/2" (38mm) Dia.
- B-68137 Satin
- B-68137.99 Peened
- 1 1/4" (32mm) Dia.
- B-5837 Satin
- B-5837.99 Peened

TWO-WALL SHOWER

- 15 7/8" W x 30 7/8" D (40 x 78cm)
- 1 1/2" (38mm) Dia.
- B-6861 Satin
- B-6861.99 Peened

TWO-WALL TOILET COMPT.

- 42" W x 54" D (107 x 137 cm)
- 1 1/2" (38mm) Dia.
- B-6897 Satin
- B-6897.99 Peened
- 1 1/4" (32mm) Dia.
- B-5897 Satin
- B-5897.99 Peened

SWING UP

- 29" (74cm) Patented
- 1 1/4" (32mm) Dia.
- B-4998 Satin
- B-4998.99 Peened



GAMCO

SPECIAL GAMCO GRAB BARS WITHOUT THE SPECIAL ORDER

- Customized configurations and dimensions.
- Runs of one to thousands.
- Brass and bronze metallic finishes.
- Electrostatic precise color matching.

Bathroom Accessories



B-680 SURFACE-MOUNTED SOAP DISH

Bright-polished stainless steel. Drawn, one-piece soap dish welded to support arm and flange. Two ridges hold soap; two drain holes. Unit 4 1/4" W, 2" H (110 x 50mm); projects 3 3/8" (85mm) from wall.

B-6807 Similar to B-680, but with satin finish.



B-673 SURFACE-MOUNTED TOWEL BAR

Bright-polished stainless steel. 3/4" (19mm) square towel bar. Available in 18" and 24" lengths (455, 610mm). Projects 3 1/4" (85mm) from wall.

B-6737 Similar to B-673, but with satin finish. 24" length (610mm).



B-687 SURFACE-MOUNTED DOOR BUMPER

Bright-polished stainless steel. Flange is 2" x 2" (50 x 50mm). Black nylon post with black neoprene bumper. Projects 2 1/8" (55mm) from wall.



B-674 SURFACE-MOUNTED TOWEL BAR

Bright-polished stainless steel. Round 3/4" (19mm) diameter towel bar. Available in 18" and 24" lengths (455, 610mm). Projects 3 1/4" (85mm).

B-6747 Similar to B-674, but with satin finish. 24" length (610mm).



B-683 SURFACE-MOUNTED TOILETRY SHELF

Bright-polished stainless steel. 24" length (610mm). Shelf 4 3/4" (120mm) wide, projects 5 3/4" (145mm) from wall. Edges are roll-formed for safety.



B-530 EXTRA-HEAVY-DUTY SURFACE-MOUNTED TOWEL BAR



For use in hospital and hotel bathrooms. 1" (25mm) diameter bar is 18-gauge (1.2mm), type 304 stainless steel, satin finish. mounting with snap flange. Withstands 900 lbs (408 kg) downward pull when properly installed. Available in 18" and 24" lengths (455, 610mm).



B-676 SURFACE-MOUNTED TOWEL SHELF WITH TOWEL BAR

Bright-polished stainless steel. Shelf 6 1/4" (160mm) wide, consists of four 5/16" (8mm) square tubes. 5/16" (8mm) square towel bar below shelf. 24" length (610mm). Projects 8 1/2" (215mm) from wall.



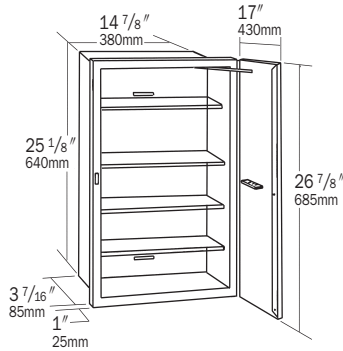
B-8397 SURFACE-MOUNTED 100-FACIAL TISSUE DISPENSER

Dispenses one pack of 100 two-ply facial tissues. Cabinet type 304 stainless steel, satin finish. Equipped with concealed locking device; opens with key provided. Concealed wall plate is 22-gauge (0.8mm), type 304 stainless steel. Unit 10 1/4" W, 5 3/16" H, 2 1/4" D (260 x 130 x 55mm).

Shower/Tub Accessories



B-398



Unit combines adjustable shelves, mirror, used razor blade slot, and toothbrush holder.

B-398 RECESSED MEDICINE CABINET



Type 304 stainless steel, satin finish. Mirror: No. 1 quality, 1/4" (6mm) glass electrolytically copper-plated. 15-year guarantee against silver spoilage. Door has full-length stainless steel piano-hinge, magnetic catch and cable doorstop. Four adjustable stainless steel shelves. Cabinet may be inverted for right- or left-hand door swing. Rough Wall Opening: 15 1/4" W, 25 1/2" H, 3 5/8" min. depth (385 x 650 x 90mm). Av. Mtg. Ht.: 74" (1880mm) to top of unit; Barrier-Free, 66 1/2" (1690mm).

B-299 Surface-Mounted Medicine Cabinet Similar to B-398. Unit 17" W, 26 7/8" H, 5" D (430 x 685 x 130mm).

B-397 RECESSED MEDICINE CABINET



All-steel cabinet with baked white enamel finish. Three adjustable plastic shelves. Mirror: No. 1 quality, 1/4" (6mm) glass electrolytically copper-plated. Door has enameled steel piano-hinge and magnetic catch. Door is 15 1/2" W, 25 7/8" H (405 x 655mm). Rough Wall Opening: 14" W, 23 5/8" H, 3 1/2" min. depth (355 x 600 x 90mm) Av. Mtg. Ht.: 73" (1855mm) to top of unit; Barrier-Free, 65 1/2" (1665mm).

B-297 SURFACE-MOUNTED MEDICINE CABINET



All-steel cabinet and two fixed shelves with baked white enamel finish. Mirror: No. 1 quality, 1/8" (3mm) glass electrolytically copper-plated. Door has enameled steel piano-hinge and magnetic catch. Door is 14 1/8" W, 20 1/4" H (360 x 515mm). Unit 3 3/4" (95mm) deep. Av. Mtg. Ht.: 69" (1755mm) to top of unit; Barrier-Free, 60" (1525mm).

2 1/2" (65mm) Square Flange for B-6047 and B-6107



B-6047 ClassicSeries EXTRA HEAVY-DUTY SHOWER CURTAIN ROD

Type 304 stainless steel, satin finish. 18-gauge (1.2mm), 1 1/4" (32mm) diameter rod. Flanges are 2 1/2" (65mm) square. Available in 36" (915mm), 48" (1220mm), 60" (1525mm), 72" (1830mm) lengths.

B-6107 ClassicSeries HEAVY-DUTY SHOWER CURTAIN ROD

Similar to B-6047, but with 20-gauge (1.0mm), 1" (25mm) diameter rod. Available in 36" (915mm), 48" (1220mm), 60" (1525mm), 72" (1830mm) lengths.



B-207 SHOWER CURTAIN ROD WITH CONCEALED MOUNTING

1" (25mm) diameter rod is 20-gauge (1.0mm), type 304 stainless steel, satin finish. 1 3/8" (35mm) diameter flanges are chrome-plated plastic, bright-polished finish; mount on concealed wall brackets. Available in 36" (915mm), 48" (1220mm), 60" (1525mm), 72" (1830mm) lengths.



204-2 VINYL SHOWER CURTAIN



Opaque, matte white vinyl, 0.008" (0.2mm) thick, contains anti-bacterial and flame-retardant agents. Nickel-plated brass grommets along top, one every 6" (150mm). Bottom and sides are hemmed. Hooks are not included. Curtain 42" W, 72" H (1065 x 1830mm). Requires 7 hooks.

204-3 Similar to 204-2, but curtain is 70" W, 72" H (1780 x 1830mm). Requires 12 hooks.



204-1 SHOWER CURTAIN HOOK Type 304 stainless steel for use on 1" and 1 1/4" (25 and 32mm) diameter shower curtain rods.

Shower/Tub Accessories



B-4390 RECESSED HEAVY-DUTY SOAP DISH AND BAR

Type 304 stainless steel, matte polished finish. Mounting clamp for stud walls. Unit 7 ³/₁₆" W, 5" H (185 x 125mm). Rough Wall Opening: 6" W, 4" H, 4" min. depth (150 x 100 x 100mm). Barrier-Free Mtg. Ht.: 38–48" (965–1220mm) above the finish floor on same wall as shower head.

B-4380 Similar to B-4390, but without bar.



B-518 FOLDING SHOWER SEAT

Complies with ADA Barrier-Free Accessibility Guidelines.

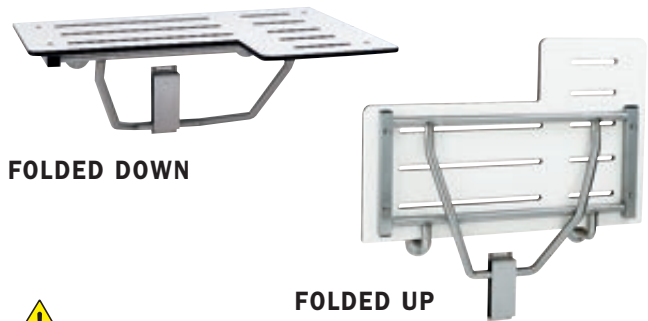
Foam-padded, white, water-resistant Naugahyde seat 1 ¹/₂" (38mm) thick, with enclosed ¹/₂" (13mm) plywood base. Frame and mounting brackets are type 304 stainless steel and feature self-locking mechanism. Supports up to 360 lbs (163 kg) when properly installed. Seat 32 ⁷/₈" (835mm) wide, projects 22 ¹¹/₁₆" (575mm) from wall. Universal/Barrier-Free Mtg. Ht.: 17–19" (430–485mm) from top of seat to floor. Left-hand seat.

B-517 Similar to B-518, but with right-hand seat.



B-5191 FOLDING SHOWER/DRESSING AREA SEAT

Compact design. Seat is constructed of durable, water-resistant, ivory-colored, ⁵/₁₆" (8mm) thick solid phenolic. Frame and mounting bracket are type 304 stainless steel and feature self-locking mechanism. Supports up to 450 lbs (204 kg) when properly installed. Seat 18" (455mm) wide, projects 15 ³/₁₆" (400mm) from wall. Universal/Barrier-Free Mtg. Ht.: 17–19" (430–485mm) from top of seat to floor.



FOLDED DOWN

FOLDED UP



B-5181 REVERSIBLE FOLDING SHOWER SEAT

Complies with ADA Barrier-Free Accessibility Guidelines. Seat is constructed of durable, water-resistant, ivory-colored ¹/₂" (13mm) thick solid phenolic. Reversible for left- or right-hand field installation. Frame and mounting brackets are type 304 stainless steel with self-locking mechanism. Supports up to 360 lbs (163 kg) when properly installed. Seat 33" (840mm) wide, projects 22 ⁵/₁₆" (565mm) from wall. Universal/Barrier-Free Mtg. Ht.: 17–19" (430–485mm) from top of seat to floor. Left-hand seat shown.



CAUTION NOTE

Rectangular Folding Shower Seat: B-5191

Rectangular folding shower seat, when properly installed and maintained, has sufficient strength to support a single user up to a maximum static load of 450 lbs (204 kg). In the interests of safety and the protection of end users, this seat should not be used to support weights exceeding 450 lbs (204 kg). Failure to abide by this warning may result in seat malfunctioning, potentially causing minor to moderate injury.

TOTAL WEIGHT ON SEAT MUST NOT EXCEED 450 LBS (204 KG).



CAUTION NOTE

L-shaped Folding Shower Seats: B-517, B-518, B-5181

L-shaped folding shower seats, when properly installed and maintained, have sufficient strength to support a single user up to a maximum static load of 360 lbs (163 kg). In the interests of safety and the protection of end users, these seats should not be used to support weights exceeding 360 lbs (163 kg). Failure to abide by this warning may result in seats malfunctioning, potentially causing minor to moderate injury.

TOTAL WEIGHT ON SEAT MUST NOT EXCEED 360 LBS (163 KG).

DESIGNER'S NOTE:

Solid phenolic seats available in other colors on special order. See Bobrick Solid Phenolic Color Guide.

Hooks/Shelves/Custodial Accessories



⚡B-670 UTILITY HOOK



Bright-polished stainless steel. For robes, shoe-shine cloth, and sanitary napkin disposal bag. Flange is 2" x 2" (50 x 50mm). Hook is 1/2" (13mm) wide, projects 2" (50mm) from wall.

⚡B-6707 Similar to B-670, but with satin finish.



B-677 TOWEL PIN



Bright-polished stainless steel. Flange is 2" x 2" (50 x 50mm). Projects 3 3/8" (85mm) from wall.

B-6777 Similar to B-677, but with satin finish.



⚡B-671 SINGLE ROBE HOOK

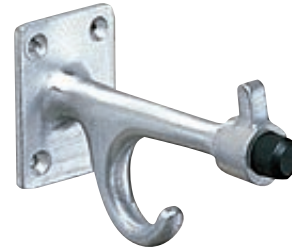


Bright-polished satin finish. Flange is 2" x 2" (50 x 50mm). Hook is 1 1/4" high, 1 1/4" wide (30 x 30mm). Projects 2" (50mm) from wall.

⚡B-6717 Similar to B-671, but with satin finish.

B-7671 SINGLE ROBE HOOK Similar to B-671, but hook is 1 5/8" high, 1 3/16" wide (40 x 20mm). Projects 1 5/8" (40mm) from wall.

B-76717 Similar to B-7671, but with satin finish.



⚡B-212 CLOTHES HOOK AND BUMPER



Solid aluminum casting, matte finish. Rubber bumper protects wall or partition surfaces.



B-672 DOUBLE ROBE HOOK



Satin-finish stainless steel. Contoured 4" (100mm) wide bar forms hook at each end. Flange is 2" x 2" (50 x 50mm). Projects 2 5/16" (60mm) from wall.

⚡B-6727 Similar to B-672, but with satin finish.

⚡B-7672 **DOUBLE ROBE HOOK** Similar to B-672, but contoured hook is 3 15/16" (100mm) wide. Projects 1 7/8" (50mm) from wall.

B-76727 Similar to B-7672, but with satin finish.



⚡B-233 CLOTHES HOOK



11-gauge (3.2mm), type 304 stainless steel, satin finish. Hook is 1 1/4" x 1 1/4" (30 x 30mm) and projects 1 1/8" (30mm) from wall. Unit is 2 1/4" (55mm) high.

NEW

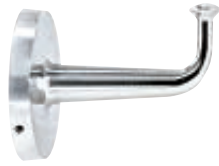


B-542 Cubicle Collection COAT HOOK

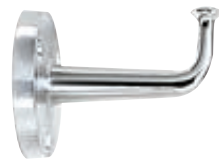
Satin-finish stainless steel. Threaded flange conceals mounting plate, provides snug fit to the wall. Flange has 1 15/16" (50mm) diameter. Hook is 1/2" (13mm) high. Projects 1 5/16" (35mm).

See page 29 for the complete Cubicle Collection.

Hooks/Shelves/Custodial Accessories



B-2116



B-211

B-2116 HEAVY-DUTY CLOTHES HOOK WITH CONCEALED MOUNTING



Locks to wall plate with three stainless steel setscrews for theft-resistant mounting. Hook and flange are one-piece brass casting with satin nickel-plated finish to match stainless steel. Withstands 300 lbs (136 kg) downward pull. Flange diameter: 2 3/4" (70mm). Unit projects 3 1/16" (85mm).

B-211 Similar to B-2116, but with three exposed countersunk mounting screw holes.



NEW

B-544 Cubicle Collection TOILET BRUSH HOLDER

Heavy-duty type 304 stainless steel, satin finish. Vandal-resistant wall mounting bracket. Stainless steel handle with replaceable nylon brush head. Water reservoir included. Overall height is 15 7/8" (405 mm). Unit projects 4 1/16" (105mm).

See page 29 for the complete Cubicle Collection.



B-682 HAT AND COAT HOOK



Bright-polished stainless steel. Flange is 2" x 2" (50 x 50mm). Hook 1" W, 6 1/2" H (25 x 165mm); projects 3 1/16" (80mm) from wall. Concealed wall plate.

B-6827 Similar to B-682, but with satin finish.



B-232 HOOK STRIP



Type 304 stainless steel, satin finish. Hooks are 1" W, 6 1/2" H (25 x 165mm); project 2 1/4" (55mm) from wall. Mounting strip is 4" (100mm) high and has 1/4" (6mm) return.

MODEL NO.	NO. HOOKS	LENGTH
B-232x24	3	24" (610mm)



B-983 VANDAL-RESISTANT CLOTHES HOOK (SECURED FROM FRONT)



Type 304 satin-finish stainless steel. Back plate is 14-gauge (2mm). Hook snaps down for safety if excessively loaded. Back plate 4" W, 4" H, 7/8" D (100 x 100 x 20mm). Hook projects 1 1/4" (30mm) from back plate. Furnished with tamper-resistant mounting screws.

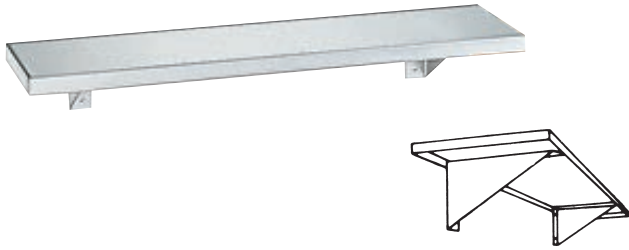


B-985 VANDAL-RESISTANT HOOK STRIP



Back plate is 14-gauge (2mm), type 304, satin-finish stainless steel. Four stainless steel hooks snap down for safety if excessively loaded. Furnished with tamper-resistant mounting screws. Unit 18" W, 5 1/2" H, 7/8" D (455 x 140 x 20mm). Hooks project 1 1/4" (30mm) from back plate.

Hooks/Shelves/Custodial Accessories



B-295 STAINLESS STEEL SHELF

5" (125mm) wide, 18-gauge (1.2mm), type 304 stainless steel, satin finish. 3/4" (19mm) return edge; front edge is hemmed for safety. Brackets are 16-gauge (1.6mm). Available in one-piece lengths: 16", 18", 24", (405, 455, 610mm).

B-296 Similar to B-295, but shelf is 6" (150mm) wide, 18" (455mm) lengths.

B-298 Similar to B-295, but shelf is 8" (205mm) wide, 18", 24" (455, 610mm) lengths.



B-224 SHELF WITH MOP AND BROOM HOLDERS AND RAG HOOKS

Shelf is 18-gauge (1.2mm), type 304 stainless steel, satin finish; 36" Long, 6" H, 8" D (915 x 150 x 205mm). Four anti-slip mop holders have spring-loaded rubber cam that grips handles 7/8" to 1 1/4" (20–30mm) diameter. Holds mops 8" (205mm) from wall. Three stainless steel rag hooks. Rod for wet rags below shelf.



B-287 FOLDING UTILITY SHELF

Easily installed on toilet partition or wall. Type 304 stainless steel, satin finish. Pull-down shelf returns to upright position when not in use. Supports 100 lbs (45.36 kg) when properly installed. Shelf 14 1/2" long, 5 3/4" wide (370 x 145mm).



B-239 SHELF WITH MOP AND BROOM HOLDERS AND HOOKS

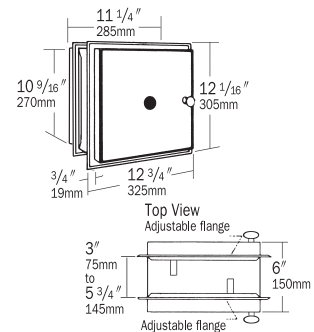
Shelf is 18-gauge (1.2mm), type 304 stainless steel, satin finish; 34" Long, 13" H, 8" D (865 x 330 x 205mm). Three anti-slip mop holders have spring-loaded rubber cam that grips handles 7/8" to 1 1/4" (20–30mm) diameter. Four stainless steel hooks.



B-223 MOP AND BROOM HOLDER

Type 304 stainless steel, satin finish. Anti-slip mop holders have spring-loaded rubber cam that grips handles 7/8" to 1 1/4" (20–30mm) diameter. Holds mops 3 1/4" (85mm) from wall. Height 5" (125mm).

MODEL NO.	NO. HOLDERS	LENGTH
B-223x24	3	24" (610mm)
B-223x36	4	36" (915mm)



B-505 RECESSED SPECIMEN PASS-THRU CABINET

Provides convenient passage for specimen from patient area to laboratory. Mounts in walls 3" to 5 3/4" (75–145mm) thick. Type 304 stainless steel, satin finish. Self-closing doors. Interlocking mechanism prevents both doors from being open at the same time; provides sight barrier. Removable stainless steel tray. Rough Wall Opening: 11 1/2" W, 10 7/8" H (290 x 275mm); 3" to 5 3/4" (75–145mm) thick.

Koala Kare Child Care Products

Customers have the option of ordering Koala products and colors listed on page 38 from Bobrick or Koala. Products on page 39 are ordered through Koala only.



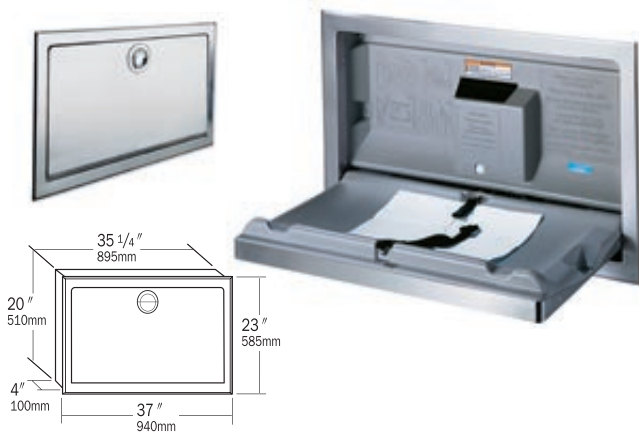
Please, one baby at a time. The three babies shown are to dramatize the strength of the KB200.



NEW

KB200-00 HORIZONTAL, WALL-MOUNTED

Cream-color polypropylene cabinet and bed. Unit 35" W x 22" H (890 x 560mm). Depth (closed) 4" (100mm). Extension (open) 22 1/2" (570mm). Patented. Available from Bobrick in cream-color only.



KB110-SSRE HORIZONTAL, RECESSED MOUNTED

18-gauge, type 304 satin stainless steel exterior finish with molded grey color polyethylene interior. Unit 37" W x 23" H (940 x 585mm). Depth (closed) 3/4" (20mm). Extension (open) 15 1/4" (385mm). Rough Wall Opening: 35 1/2" W x 20 1/2" H (900 x 520mm), 4" (100mm) min. depth.



KB110-SSWM HORIZONTAL, WALL-MOUNTED

18-gauge, type 304 satin stainless steel exterior finish with molded grey color polyethylene interior. Unit 35 1/4" W, 20" H (890 x 510mm). Depth (closed) 4" (100mm). Extension (open) 15 3/16" (385mm).



KB101-00 VERTICAL, WALL-MOUNTED

Cream-color polyethylene cabinet and bed. Unit 22" W x 35 1/2" H (560 x 900mm). Depth (closed) 5 1/4" (135mm). Extension (open) 35" (890mm). Available from Bobrick in cream-color only.



KB102-00 CHILD PROTECTION SEAT, WALL-MOUNTED

Cream-color polyethylene seat and back. Unit 12 1/4" W x 18 3/4" H (310 x 475mm). Depth (closed) 5 5/8" (145mm). Extension (open) 12 1/2" (315mm). Available from Bobrick in cream-color only.



www.koalabear.com
(888) 733-3456

Customers have the option of ordering Koala products and colors listed on page 38 from Bobrick or Koala. Products on page 39 are ordered through Koala only. For copies of Koala's full line Baby Changing Station Catalog, or for the name of your Bobrick-Koala Representative, please visit us on-line or telephone toll-free.



KB200 HORIZONTAL, WALL-MOUNTED

All colors available from Koala Kare: add suffix number: Cream (-00), Grey (-01), White Granite (-05) and Earth (-11). Patented.



KB100-ST HORIZONTAL, RECESSED-MOUNTED WITH STAINLESS STEEL FLANGE

See Koala catalog for complete product data.



KB112-01RE RECESSED COUNTERTOP-MOUNTED
KB112-01CT COUNTERTOP SURFACE-MOUNTED

See Koala catalog for complete product data. Patented.



KB111-SSRE VERTICAL, SEMI-RECESSED MOUNTED
KB111-SSWM VERTICAL, WALL-MOUNTED

See Koala catalog for complete product data.



KB101 VERTICAL, WALL-MOUNTED

All colors available from Koala Kare: add suffix number: Cream (-00), Grey (-01) and White Granite (-05).



KB150-99 SANITARY BED LINERS

See Koala catalog for complete product data.



KB102-00 CHILD PROTECTION SEAT, WALL-MOUNTED

All colors available from Koala Kare: add suffix number: Cream (-00), Grey (-01).

DESIGNER'S NOTES:

1. Full-length steel-on-steel hinges with 11-gauge steel mounting supports.
2. Complies with ANSI S117.1 Accessible and Usable Buildings and Facilities, ASTM F2285-04 (formerly ASTM PS125) Standard Consumer Safety Performance Specification for Diaper Changing Tables for Commercial Use, ANSI Z535.4 Product Safety Signs and Labels, ASTM G21 Antifungal and ASTM G22 Antibacterial Standards, EN 12221-1/-2 European Standards (KB200 only), ADA Accessibility Standards for height, reach, projection, operation, overlap wheelchair turning radius when properly installed.
3. Constructed of high-density polyethylene (KB200 is constructed of polypropylene) with exclusive Microban antimicrobial product protection.
4. Replaceable nylon safety straps, hooks for bags and purses.
5. All Baby Changing Station models equipped with built-in Sanitary Bed Liner Dispensers.

MICROBAN® ANTIMICROBIAL PRODUCT PROTECTION: A KOALA BABY CHANGING STATION EXCLUSIVE.

Microban technology is built into all Koala Baby Changing Stations and becomes an intrinsic part of the Station. When microbes, such as bacteria, mold and mildew that can cause stains, odors and product deterioration come into contact with the station surface, Microban protection penetrates the cell wall of the microbe and disrupts key cell functions so that the microbe cannot function, grow or reproduce. See Technical Bulletin, TB-12.

Company Directory

BOBRICK WASHROOM EQUIPMENT, INC.

LOS ANGELES: 11611 Hart Street
North Hollywood, California 91605-5882
Washroom Accessories: (818) 982-9600; FAX: (818) 503-1102
e-mail: customerservicela@bobrick.com
Toilet Partitions: (818) 982-9070; FAX: (818) 503-9287
e-mail: lacspartitions@bobrick.com

JACKSON, TN: 100 Bobrick Drive
Jackson, TN 38301-5625
(731) 424-7000; FAX: (731) 424-7800

NEW YORK: 200 Commerce Drive
Clifton Park, NY 12065-1350
(518) 877-7444; FAX: (518) 877-5029
e-mail: customerservicenyc@bobrick.com

CANADA: BOBRICK WASHROOM EQUIPMENT COMPANY
45 Rolark Drive, Scarborough, Ontario M1R 3B1
Ontario East: (877) 423-6555, FAX: (877) 423-8555
e-mail: customerserviceca@bobrick.com
Manitoba West: (877) 423-6444, FAX: (877) 423-8444
e-mail: customerserviceca@Bobrick.com

INTERNATIONAL SALES: 11611 Hart Street
North Hollywood, California 91605-5882
+1 (818) 764-1000; FAX: +1 (818) 503-9941
e-mail: international@bobrick.com

AUSTRALIA: BOBRICK WASHROOM EQUIPMENT PTY. LTD.
1800 353158; FAX: 1800 221926
e-mail: international@bobrick.com

GERMANY: BOBRICK WASHROOM EQUIPMENT
0800 79 00 456; FAX: 0800 79 00 789
e-mail: info@bobrick.de

UNITED KINGDOM: BOBRICK WASHROOM EQUIPMENT LTD.
+44 (0)20 8366 1771; FAX: +44 (0)20 8363 5794
e-mail: uksales@bobrick.com

WWW.BOBRICK.COM

GAMCO COMMERCIAL RESTROOM ACCESSORIES

A Division of Bobrick
One Gamco Place
Durant, OK 74701-1910
(800) 451-5766; FAX: (580) 920-2050
e-mail: mail@gamcousa.com
WWW.GAMCOUSA.COM

KOALA KARE PRODUCTS

A Division of Bobrick
6982 S. Quentin St.
Centennial, CO 80112-3945
(888) 733-3456; FAX: (303) 539-8399
e-mail: customerservice@koalabear.com
WWW.KOALABEAR.COM

Illustrations and descriptions herein are applicable to production as of the date of this catalog. The manufacturer reserves the right and does from time to time make changes and improvements in designs and dimensions. Catalog No. P-1006, 100M. September 30, 2010.

AirGuard, CompacDryer, MatrixSeries, TowelMate, TrimLineSeries are each trademarks; AirCraft, Bobrick, ClassicSeries, ConturaSeries, Eclipse, Koala, Koala Kare, Koala Kare Products, LinerMate, LiquidMate, QuickShip, SureFlo are each registered trademarks of Bobrick Washroom Equipment, Inc.

© 2010 Bobrick Washroom Equipment, Inc. Printed in U.S.A.

Product Warranties

The following Bobrick products are warranted to be free from defects in workmanship and material under normal usage from the date of purchase for the periods set forth below. (Rust and discoloration to stainless steel parts resulting from exposure to harsh environmental and/or chemical conditions are not considered to be defects in workmanship or material and there is no express or implied warranty for such condition. Refer to Bobrick Bulletin TB-21, Effective Ways to Clean Stainless Steel):

Washroom Accessories/Soap Dispensers	Limited Warranty
ConturaSeries Washroom Accessories	3 years
Soap Dispensers B-306, B-4063, B-4112, B-822 Series, B-826, B-8263	3 years
B-830 SureFlo Soap System Soap Pumps	Lifetime warranty provided Bobrick SureFlo Soap is used exclusively with this product

The following Bobrick mirrors are warranted against silver spoilage from the date of purchase for the periods set forth below:

Mirrors	Limited Warranty
B-290, B-2908, B-292, B-293, B-294 Series	15 years
B-165, B-1658, B-166 Series	

The following Bobrick hand dryers are warranted to be free from defects in workmanship and material under normal usage from the date of purchase for the periods set forth below:

Hand Dryers	Limited Warranty
B-700, B-7120, B-7128	Motor brushes for 3 years; all other parts for 10 years
B-750 AirCraft	
B-740, B-748 Eclipse	
B-708 AirGuard	
B-710 Compac	1 year

Koala Kare products are backed by a 5-year limited liability warranty to be free of defects in workmanship and material, and a 5-year replacement policy against vandalism.

OTHER PRODUCTS:

Bobrick washroom accessories not listed above are warranted to be free from defects in workmanship and material under normal usage service for one year from the date of purchase.

LIMITATIONS ON WARRANTIES:

In all instances, the purchaser's exclusive remedy against Bobrick is for the repair or replacement, at Bobrick's option, of warranted defective products or parts. Bobrick will also bear the cost of the purchaser's return of defective products or parts to Bobrick. Bobrick's warranties set forth above do not cover damage resulting from vandalism. No other remedy (including, but not limited to, damages for field labor charges, lost profits, lost sales, injury to persons or property or any other incidental or consequential losses) is available.

PATENTS:

The Bobrick products shown in this catalog with the notation "Patented" are protected under one or more of the following Patent Numbers:

Canada: 2342510, 2336013, 2311345, 2309470, 2220402, 91501; **United States:** 7469779, 6502721, 6276027, 6131771, 6129245, 6119901, 6032819, 5988451, 5987677, 5871113, 5476197, 5377908, 5261619, 5226625, D605866, D601843, D426412, D425253, D420764, D416726, D415857, D413419, D401708, D401093, D388578, D387590, D387229, D386027, D385445. Other patents pending.

Components of Models B-2974, B-29744, B-3974, B-39747, B-3979, 3974-50 and B-72974 are covered by patent numbers owned by our supplier: **Canada:** 2572341, 2533000, 2489669; **United States:** 7594622, 7296765, 7084592, 7040566.

Components of Models B-3961, B-39617, B-39619, B-72860 and B-2860 are covered by patent numbers owned by our supplier: **Canada:** 2439918; **United States:** 6553879, 6314850.

Components of Part No. 251-4 are covered by patent numbers owned by our supplier: **Canada:** 2308182; **United States:** 6007285, 5944466.



BUILDING VALUE SINCE 1906
BOBRICK.COM