

2013  
2014  
LED



 **Fosnova**  
disano ● GROUP



2013/2014



The constant growth and technical evolution of the Fosnova interior lighting product range has developed into the creation of a separate catalogue, in addition to the Disano catalogue, affording us the opportunity to interact with designers further, while emphasising two basic Fosnova product features: design and new technologies. The range of floodlights, spotlights and recessed modulares offers a variety of design solutions, which are aimed at meeting increasingly different and important interior lighting requirements. Like new the light sources developed, accessories, colour schemes and other technical features help create flexible and imaginative flexible lighting solutions that are suitable for placement in the most diverse contexts, such as the prestigious exhibition rooms of a museum, captivating shop windows, new shopping centres and private residences. Flick through the pages of the Fosnova catalogue to explore new lighting solutions and to turn your design ideas into reality.



**Fosnova S.r.l.**, located in Rozzano (Milan), near the Disano S.p.A. plant, boasts decade long expertise in architectural lighting design. Currently, Fosnova's production specializes mostly in fixtures utilising the most recently developed light sources. The Fosnova product range offers a variety of solutions to indoor lighting problems, including:

- Downlights and spotlights
- Interior floodlights
- Lamp stand, wall and ceiling mounted fixtures,
- Fluorescent light modular systems,
- Electrified tracks.



The **Disano Group** considers service to the market and continuity in relations with customers as key elements in company policy in which it has continuously invested in Italy and Europe.

Improvements in manufacturing technology, excellent innovation, rigorous controls throughout the entire corporate process system, high product quality control standards, as well as the development of advanced computer systems for lighting design calculations.

The photometric measurements certified by the CSQ mark are entirely conducted in our research laboratories, in compliance with the European Lighting Design Committee's guidelines.

For FOSNOVA, Quality System Certification (CSQ-IQNET) in compliance with UNI EN ISO 9001:2008 standard (production and sale of lighting fixtures and accessories) is an important step towards the improvement of company processes, aimed at achieving customer satisfaction. Please note that the purpose of the EC labelling is to indicate a product's compliance with all applicable standards and to guarantee the right of this product to be marketed directly in all member states of the European Community. The standards to be complied with by lighting fixtures are as follows: 2004/100/CE "electromagnetic compatibility" - 2006/95/CE "low voltage electrical materials". For more detailed information, please contact our lighting design support centre/lighting assistance centre.





**DISANO** is also present in **PORTUGAL, IRELAND, POLAND, MIDDLE EAST, RUSSIA and INDIA** with its own technical support and sales offices.

[www.fosnova.it](http://www.fosnova.it)  
[www.disano.es](http://www.disano.es)  
[www.disano.fr](http://www.disano.fr)

**ITALY**

The **Group's manufacturing** company is located in Dorno (Pavia), on a totally covered area, equipped with state-of-the-art, highly automated machinery. The company has high productive potential and manufactures products for the whole Group. Additionally, it relies on an entirely automated semi-finished product warehouse, covering a surface of approx. 12,000 sqm.



**SPAIN**

Spain-based **ILUMINACION DISANO** s.a., established in 1992, is now located in new headquarters situated in Roda de Barà (Tarragona), and is responsible for distributing the Group's products in the Spanish territory. Additionally, Iluminación Disano has a productive area of approximately 11,850 sqm totally covered, equipped with advanced systems and highly automated. Iluminacion Disano's logistics operate on a fully automated area, with an overall capacity of 6360 pallets.



**FRANCE**

France-based **DISANO FRANCE** s.a., established in 1993, equipped with a warehouse and customer support offices, is responsible for distributing the Group's products in the French territory.



### OUR PROMOTERS

Promoters are present in every region and are at the complete disposal of wholesalers, installers and designers to immediately solve any technical, commercial or lighting design problem and to promote the Fosnova product nationwide. They also supply estimates and develop lighting design projects, ensuring continuous support.

### SOFTWARE AND CATALOGUES

For correct lighting design, Fosnova distributes to all customers who request it a CD containing multimedia catalogues, lighting design software, a "Major Projects" gallery, and a presentation of services offered.

### CONSULTING CENTRE

From the Lighting Technology Consulting Centre, you can request any type of support for the correct use of light fixtures. In fact, Fosnova guarantees total flexibility in implementing projects using non standard fixtures. The Group's aim is to keep an open-door policy with its customers, and to be at their service at all times.

### MARKETING

The Marketing Department has been set up to assist wholesalers by implementing marketing and promotional support actions at the point of sale, advertising their trademarks to make them become reference point for end users.

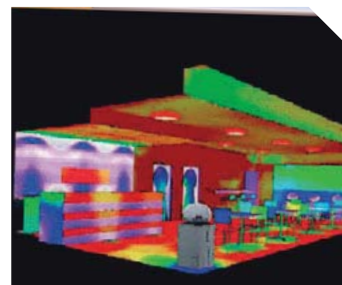
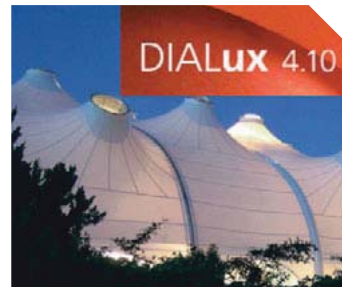
### LIGHTING MAGAZINE

Has been made a regular information editorial about light. The latter aims to make the culture of light, targeted communication and continuous information to designers and architects, and describe their projects and thoughts.

FOSNOVA OFFERS DESIGNERS, INSTALLERS AND DISTRIBUTORS A SERIES OF FREE SERVICES THAT ARE ABLE TO COMPLETELY SATISFY TECHNICAL, LIGHTING DESIGN AND COMMERCIAL NEEDS.

### SUPPORT TOOLS

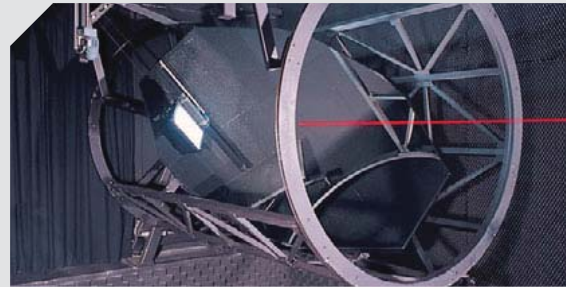
Disano Group has made available free of charge to the customers who request it a CD containing multimedia catalogues and lighting technique software. Other available CDs are: one on "Large Projects". Available on CD and DVD.



The disano catalogue is intended to offer detailed information on all the fixtures that are included in our current production range. Together with a thorough description of the structural and functional features of our fixtures

And systems, you will find all the details required to develop lighting design projects. Photometric measurements were performed in our research laboratories, in compliance with the requirements of the european committee for lighting design. These measurements will be shown as diagrams as well as tables.

The photogoniometer used to calculate the fixtures' distribution curves



### LABORATORIES AND OPTICAL SYSTEMS

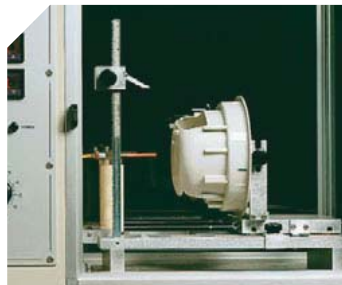
Products are made highly reliable by using high-grade aluminium and an automated production system.

At every launch of production, some pieces are inspected.

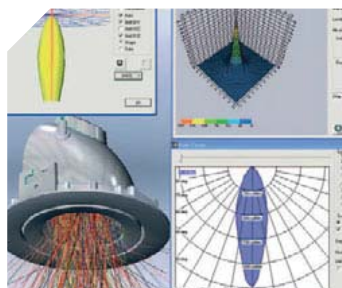


Laboratories, identical to the ones available to the Italian Body for Quality Marking (IMQ), perform:

- Heat and mechanical resistance tests
- Glow wire test electromagnetic compatibility test
- chemical tests on paint quality.
- protection IP tests for stated fixtures



The chemical laboratory and different fixture testing situations



In the photo below new fixture design software.

### RESEARCH AND DEVELOPMENT

The Group has made significant investments in research and development, adopting advanced technologies (design software) to develop new fixtures and to improve those currently produced.

## WEB SITE

Fosnova has created an innovative website, periodically updated, which provides detailed data and information about the company, its products, representative projects, designs, new products.

The Disano Group has created an innovative **website**, periodically updated, which provides detailed data and information about the company, its products, representative projects, designs, new products.

Want to browse Disano and Fosnova catalogues easily and quickly, view technical specifications at a glance or retrieve design information with just a few clicks? Now you can thanks to our application for **iPad** and **iPhone** available in four languages (Italian, English, French and Spanish)! A close-up of a Disano product against a dark background and the words 'Turn On': this is the homepage that users see when they log into our virtual world. May the journey begin!

Users can choose the different sections from a navigation bar:

**Technique** displays the catalogues and technical specifications of all the data necessary to develop a lighting design project; three separate catalogues are used to present Disano, Fosnova and Led products in order to make product reference easier.

**Trend** is dedicated to research, development and the manufacturing of highquality lighting products and their applications;

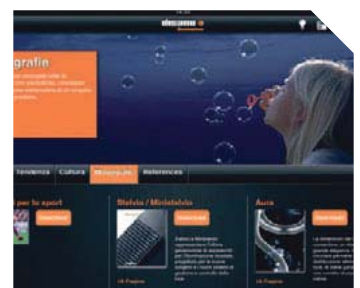
in **Culture** users will find every issue of Disano Lighting Magazine, the magazine about the latest lighting design projects implemented by Disano in the world.

A slide show displays the most impressive projects: a story in images, a narrative of light and emotions.

Each product is supported by detailed information to meet all the lighting demands in both interior and exterior applications.

**ArchiLight** Archilight is the first web magazine, sponsored by Disano illuminazione, in Italian and English, dedicated to light and its multiple uses. It addresses those who work in the fields of lighting, design, architecture, sustainability, technology and art. It offers a wide range of ideas and innovations from all over the world and where lighting is used in an innovative way with extraordinary technical and aesthetic results.

## A NARRATIVE OF LIGHT ON THE WEB



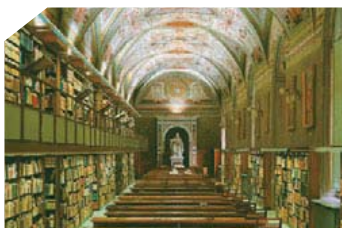




Doha Bank - Qatar



900 Museum - Milan - Italy



Biblioteca Vaticana  
Città del Vaticano



Cassioli museum Asciano  
Siena



High-speed train station  
Liège - Belgium



Good Vibration,  
Showroom - Milano



Porta Susa Station - Torino



Central Station - Milan

Direct, emotion-stirring contact with art and culture requires quality lighting.

Light should be able to enhance a work of art in its entirety, along with the aesthetic and architectural qualities of history-laden places.

Hence, Fosnova created a range of luminaires that join top technical performance with versatility, presenting designers with the opportunity to obtain the best possible lighting solutions to enhance the works and places hosting them.

The range of Fosnova lighting fixtures can be seen in prestigious museums and places hosting works of art. They were also used for important exhibitions and cultural events. In recent years, Fosnova and art have come closer, thanks to constant product upgrading.

The luminaires are now equipped with state-of-the-art light sources, optics and control systems. Research and quality products serve art and culture.

Today, selling is becoming increasingly synonymous with arousing sensations.

Commercial and display areas should be arranged both as eye-catching and amazing paths.

Furthermore, space should be constantly renovated, by enhancing some of the products displayed according to the seasons and the latest arrivals.

Lighting should comply with specific requirements according to different product sectors, enhancing for instance the colour of the products displayed, or creating the right context where to display the most different items of clothing as well as the most exclusive objects.

Fosnova is able to meet all such requirements through offering practical, efficient and modern solutions.

Fosnova group's catalogue covers the whole production of interior and exterior lighting fixtures. The catalogue also contains commercial information as well as several technical and image details which can help customers in their work.

A technical overview on each single product is always followed by a number of pictographs, markings, drawings or technical data as well as by the product code number.

To simplify the localisation of the fixtures, the catalogue's chapters are divided by colour tabs. A photographic index of the products is included at the beginning of each chapter, with all the corresponding page numbers.

In the project and in the choice of a light fixtures and, of course, of a light source, energy saving is of paramount importance. Fosnova has developed a wide range of fixtures able to meet all types of energy savings needs. Fixtures that have low-loss or electronic gear, or with innovative lamps not only save on energy but also on installation costs, since fewer lamps and fixtures are needed than in more traditional installations.

Since energy-saving fixtures and control gear last longer than traditional ones, one also saves on replacement and maintenance costs.

Modern lamps also produce up to 80% less heat than traditional ones. This means lower air-conditioning cost.

#### International Protection

The IP prefix followed by two figures indicates the level of resistance of the fixture to penetration by solids and liquids. Protection rating (published in EN60529)

**1<sup>st</sup> figure:** penetration by solid particles and contact with live parts

**2<sup>nd</sup> figure:** penetration by liquids

**3<sup>rd</sup> figure:** mechanical resist

**IP20** Protection against solid bodies  $\varnothing > 12$  mm only

**IP23** Protection against solid bodies and rain

**IP40** Protection against solid bodies  $\varnothing > 1$  mm only

**IP43** Protection against solid bodies  $\varnothing > 1$  mm and rain

**IP44** Protection against solid bodies  $\varnothing > 1$  mm and water sprays

**IP54** Protection against dust and water sprays

**IP55** Protection against dust and water jets

**IP65** Dust and water tight

**IP67** Dust and waterwave tight

**MAIN CONTROL SYSTEM** On request, fixtures are available with self-diagnosis with sub-code -0066.

**III** Class III fixture (insulation class III).

**Fuse** Standard protective fuse



CSQ/IQNET marking is valid all over the world.

It shows that the company has obtained the Company's Quality System certification as regards the design, production and marketing of lighting fixtures and accessories.

The reference standard is UNI EN ISO 9001/IQNET and UNI EN ISO 9002/IQNET.

Indicates that a product can freely circulate within the European Coméquipty. It certifies that the product complies with essential safety regulations. All Disano products comply with the EC89/336/EEC "electromagnetic compatibility" and with the EC73/23/EEC "low-voltage" standards. Therefore they comply with EMC regulations (electronic compatibility).

#### IMQ PERFORMANCE:

The label found on products certified by the IMQ (Italian Institute for Quality Marking) concerns photometric data declared under IMQ supervision

The product has been granted the ENEC European certificate of conformity which replaces all national **regulations in the EEC**, according to EN60598 European standards



I.M.Q. approval for wired fixture. All fixtures comply with **CEI Italian** safety standards corresponding to EN60598 European standards.

Class II fixture (double insulation). No grounding needed.

Class II fixture (double insulation). No grounding needed.

V0: the test piece extinguishes within 5 sec. without dropping V2: the test piece extinguishes within 25 sec. (dropping allowed)

<b>S</b>	The unit is supplied with lampholder only	<b>CEL</b>	The unit is supplied with lampholder and electronic ballast	<b>CELL-T</b>	As above, but with lamp + transformer
<b>S+L</b> <b>S+L+T</b>	As above but with lamp As above but wiring + lamp + transformer	<b>CELL</b>	As above, but with lamp	<b>ALO</b>	Halogen lamp
<b>CT</b>	With 230/12V transformer and lamp	<b>CEL-F</b>	As CEL but with fuse	<b>PAR</b>	PAR halogen lamp
<b>CT-F</b>	With 230/12V transformer and lamp + fuse	<b>CEL-E</b>	As CEL, but with emergency kit	<b>DICR ALO</b>	Dichroic lamp Dichroic lamp IRC Dichroic lamp ALU Dichroic halogen lamp 230V
<b>CTL</b>	With 230/12V transformer and lamp	<b>CELL-F</b>	As CELL, but with fuse	<b>FL</b>	T5 and T8 compact linear lamp <b>T5</b> high performance, high luminous efficiency, low-energy, minimal glare Ø 16 mm lamp. <b>T8</b> = Ø 26 mm fluorescent lamp.
<b>CTL-F</b>	With 230/12V transformer + lamp + fuse	<b>CELL-E</b>	As CEL, but with fuse and emergency kit	<b>FLC</b>	Compact fluorescent lamp (energy saving) Version - <b>S</b> "single" <b>SE</b> "for electronic power" <b>T</b> "tubular" <b>T/E</b> "for electronic power" <b>D</b> "double" <b>D/E</b> "for electronic power" <b>L</b> "long" <b>EL/R</b> "for electronic power" <b>2D</b> "2D" <b>EL</b> "electronic" <b>PL/R</b> "energy saving"
<b>CNR</b>	The unit is supplied with lampholder, ballast, starter and capacitor, wired ready to light	<b>CELLF-E</b>	As CELL, but with fuse and emergency kit	<b>JM / CDM</b>	Metal halide lamp <b>T</b> "tubular"- base G12/E40 <b>CDO-R111</b> =Base G8,5 <b>TS</b> "double ended"- base Rx7s <b>TS LA</b> "long arc" attack to cable <b>E</b> "elliptical"- base E27/E40 <b>CDM</b> = Mastercolour lamp - base G12/Rx7s <b>CDM-TT</b> = Mastercolour lamp - base E40 <b>CDM-TM</b> = Mastercolour lamp - base PGJ 5 <b>CDM-R</b> = Mastercolour lamp - base E27 <b>CDM-Rm</b> = Mastercolour lamp - base Gx10
<b>CNR-F</b>	As above, with fuse. fuse symbol	<b>CELD-DIG</b>	Power supply with 230/240V -50/60Hz digital dimmable electronic ballast (DALI)	<b>HCI</b>	Lamp Powerball® HCI® "T" base G12 "TT" base E40 "TC" base G 8,5
<b>CNRF-E</b>	As CNR, with fuse and emergency kit	<b>CELD-DIG-E</b>	Power supply with 230/240V -50/60Hz digital dimmable electronic ballast (DALI) + emergency lighting	<b>BRITE SPOT</b>	base G10 base GX10
<b>CNRL</b>	As CNR, but with lamp	<b>CELLD-DIG</b>	Power supply with 230/240V -50/60Hz digital dimmable electronic ballast (DALI) + lamp	<b>AR111 AR70</b>	Dichroic halogen lamp Dichroic halogen lamp IRC Dichroic halogen lamp
<b>CNRL-F</b>	As CNR, but with lamp and fuse	<b>CELLFD-DIG</b>	Power supply with 230/240V -50/60Hz digital dimmable electronic ballast (DALI) + fuse	<b>WHITE SON/SDW</b>	White light sodium lamp Mini sodium lamp for optimal colour renderingz
<b>CNR-E</b>	As CNR but with emergency kit	<b>CELLFD-DIG</b>	Power supply with 230/240V -50/60Hz digital dimmable electronic ballast (DALI) + lamp and fuse	<b>CMH</b>	Metal lamp
<b>CEM-L</b>	Lamp + emergency	<b>CLD</b>	Wiring for LED		
<b>CNRL-E</b>	As CNR, with lamp and emergency kit				



Fixture built with recyclable materials (excluding lamps and batteries).



Fixture equipped with 0-90° protractor scale for aiming. Security dowels or rack with screw.



Standard electric gear with thermal protection. Heating test during malfunctioning in compliance with EN 60598-1, para. 12-5 standards.



Minimum and maximum operating temperature. Ask for specific product temperature to our technical offices.



UV-stabilised coating, anti-yellowing. Fixture built with stabilised materials.



An UV-filter ceramic glass can be installed.



Fixtures equipped with standard knife switch.



Maximum track lead 32A load



Maximum track lead 16A load



Aiming on horizontal axis at 0°



Aiming on vertical axis at 0°



UV rays filter installation possibility.



UV rays filter installation possibility.



Coloured or specific filter installation possibility.



LED



LED RGB



Energy saving fixtures.



Electronic ballast with immediate starting



Low losses of supply system = energy saving 5,5% = - 3,5W h.



Fixtures wired with dimming electronic ballast.



Lighting fixtures equipped with digital dimmable electronic ballast.



E<sub>1</sub> = permanent (lighting + emergency) emergency circuit



baffle film protection



Lamp focus can be adjusted according to installed lamp or spread angle.



With conveyor



Size of round hole for recessed installation



Size of hole for recessed installation



Mains voltage 230V operated with transformer.



Mains voltage 220/240V operated.



Adjustable beams



**WATERPROOF FIXTURES**



**SWIMMING POOLS:** for difficult maintenance situations.



Fixture equipped with auxiliary lamp and a commutator. Trad. elect. gear(see CLA).



Extra wide beam



Wide beam



Medium beam



Narrow beam



Asymmetric beam



Both direct and indirect light



Asymmetric direct light and symmetric indirect light simultaneously



Variable beam



Distribution curve: measured lengthwise to the fixture



Distribution curve: maximum intensity measured on the axis of a fixture with asymmetric reflector



Distribution curve: measured crosswise to the fixture



Fixtures to be installed to the wall or ceiling only with a base.



Fixtures to be installed on track to the wall, ceiling or suspension.



Fixtures to be installed to the wall, ceiling or suspension.



**HEALTHCARE ENVIRONMENTS:**

nursing rooms, operating rooms, clinics, first aids, wards, aseptic rooms  
UNI EN 12464



**SCHOOLS:**

classrooms, lecture rooms, laboratories, meeting rooms  
UNI EN 12464



**OPEN SPACES:**

Offices, large areas, public areas, waiting rooms  
UNI EN 12464



**ART AND CULTURE:** Cinemas, theatres, museums, galleries, churches, libraries, auditoriums, monuments  
UNI EN 12464



**COMMON AREAS:**

corridors, stairs, lifts  
UNI EN 12464



**COMMERCIAL CENTRES:**

Shops, show rooms, shop windows, supermarkets, airports.  
UNI EN 12464



**MALLS:** General shops, goods displays, shop windows, supermarkets, airports, shop facades  
UNI EN 12464



**GENERAL ROOMS:**

Home, hotels, sleeping rooms, bars, restaurants, canteens  
UNI EN 12464



**FOOD INDUSTRY**

UNI EN 12464



**RESIDENTIAL AREAS:**

Paths, private areas, residences; external walls, pedestrian paths, service stations  
UNI 10439



**LARGE-SCALE DISTRIBUTION:** Shopping centres, supermarkets, hypermarkets



**SPORT HALLS, GYMNASIUMS**



**RELIGIOUS PLACES**



**INDOOR SPORTS FACILITIES:** Ice-skating facilities, cycle-racing tracks, sport facilities, athletics grounds, swimming pools, gymnasiums, volleyball courts, basketball courts, fitness centres, etc.



**BOATS, YACHT and BOAT BUSINESS**



**RESIDENTIAL AREAS:**

Paths, private areas, residences; external walls, pedestrian paths, service stations - UNI 10439



**HOTEL**

In the FOSNOVA catalogue, there are some items, generally the more recent ones, that have two numbers (a subcode) at the end of the classical 6-digit code. These subcodes indicate the product type of wiring. Therefore, it is very important when making an order to write the complete FOSNOVA code, including the subcode, which carries the following meaning:

- 00** = basic article
- 07** = article supplied with Emergency group
- 08** = article supplied with Electronic gear
- 09** = article supplied with Electronic+Emergency gear
- 12** = article with DIMM wiring
- 1241** = article supplied DIMMable DIGital DALI
- 22** = narrow beam
- 46** = article with special sizes
- 0064** = article supplied complete with quick connect device
- 0066** = article with self-diagnosis option
- 0072** = special version for continuous line
- 0086** = special version for continuous line: specify which side entrance
- 0088** = special version without quick connector: with entrance from both end cap
- 71** = article with blue LED
- 72** = article with red LED
- 73** = article with yellow LED
- 74** = article with green LED
- 79** = article with CLA electronic switching device
- 85** = with Mastercolor lamp
- 0885** = Electronic gear with lamp Mastercolour
- 94** = DIMMable+Emergency gear
- 9441** = Emergency DIMMable DIGital DALI gear
- 0092** = articles with the incorporated multi-sensor



**OFFICES**

single office, meeting rooms, telephone exchange rooms, offices with VDU terminals (time spent in front of the screen: less than 3 hours totally) Optics + UNI EN 12464



**OFFICES WITH VDU TERMINALS**

Drafting and designing rooms, meeting rooms, banks, offices with VDU terminals (time spent in front of the screen: 3 to 6 hours) - Optics + UNI EN 12464



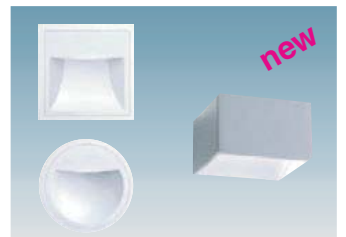
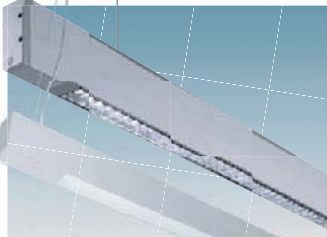
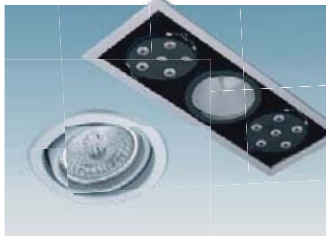
**OFFICES WITH VDU TERMINALS**

Time spent in front of the screen: more than 6 hours continually - Optics + UNI EN 12464

how to read



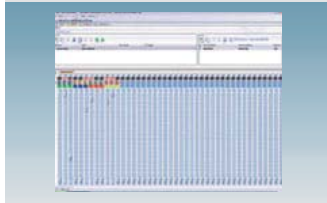
pictograms



RGB controls



DMX

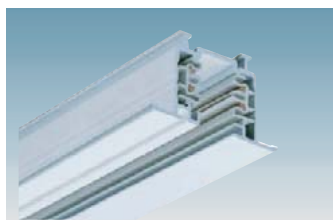
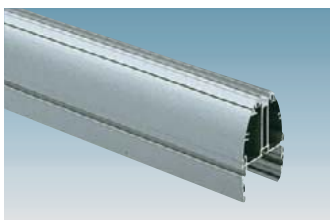


power supply



dimposables





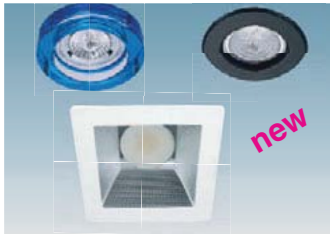
Presentation  
Wiring  
Pictograms

p. **II** Omnitrack 3 circuit p. **7** Omnitrack double track p. **16**  
p. **VII** Omnitrack IP40 p. **7** Omnitrack recessed p. **17**  
p. **X**



Vision  
Black Spot  
Matrix  
Leo  
Mini Leo  
Gi Otto  
Compendio

p. **20** Sonik p. **118** Epik  
p. **46** Cast p. **122** Kim 2 p. **147**  
p. **48** Daryl p. **134** Joy p. **150**  
p. **74** Zoom p. **138** Fix p. **152**  
p. **90** Jolly p. **140** Stelo p. **153**  
p. **94** Gotham p. **144** p. **148**  
p. **112** Trial-one



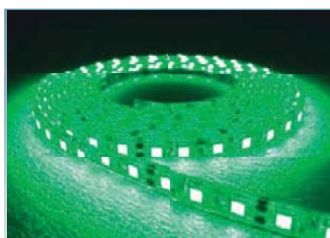
Office  
Velvet  
Milano  
Milano Small  
Snow  
Roma  
Atlas  
KF  
JF  
Energy 2000  
MiniLex-Lex

p. **158** Euro p. **214** M45 p. **236**  
p. **170** Argostar p. **217** Glass p. **238**  
p. **172** Shell p. **218** Cristal p. **240**  
p. **186** Metis p. **224** Office p. **242**  
p. **188** Deimos p. **226** Torino p. **248**  
p. **190** Sirio p. **229** Aosta p. **248**  
p. **194** Step p. **230** Carrè p. **252**  
p. **200** Marte p. **230** Q45 p. **254**  
p. **202** Lift p. **231** Trial p. **256**  
p. **208** M60 p. **232**  
p. **204** Petit p. **235**



Luthor  
Flower  
Compendio  
Mac 2  
Corner  
Hotel 9  
Euroma  
King  
Sylon  
Corner 160  
Eta

p. **260** Low Glare p. **282** Petit p. **304**  
p. **262** Logan p. **286** Luna p. **305**  
p. **264** iSpot p. **287** Verona p. **310**  
p. **270** Sun p. **288** Firenze p. **308**  
p. **270** Lotus p. **289** Lem p. **310**  
p. **274** Mac p. **290** Deltamarket p. **312**  
p. **275** Janus p. **292** Fix p. **313**  
p. **276** Atlas p. **293** Minishop p. **314**  
p. **278** Fenix p. **298** Shop p. **320**  
p. **280** Mac p. **296** Store p. **327**  
p. **281** Multimicro p. **302**



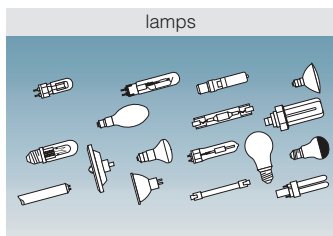
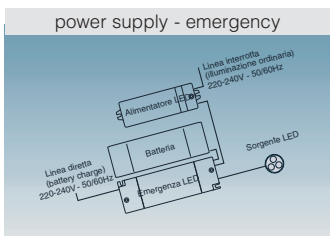
Centre Disseny  
Liset  
Mini Liset  
Liset

p. **340** Micro Liset p. **358** Striscia LED p. **370**  
p. **342** Micro Liset recessed p. **365** Maxi Liset p. **376**  
p. **351** Linea LED p. **366** Minilinea p. **380**  
p. **352** Micro Liset cylind. p. **368** Ovale p. **384**



Slim  
Cubic  
Venere  
Minerva  
Cover  
Slim Cover  
Cover Light  
Soft  
Bell  
Compendio

p. **388** Argostar p. **414** Curve p. **434**  
p. **390** Mini Ghost p. **417** Riflesso p. **435**  
p. **392** Eolo p. **418** Spy p. **436**  
p. **396** Indoor p. **419** Shopping centre p. **440**  
p. **398** Stilo p. **420** On Off p. **444**  
p. **400** King p. **422**  
p. **402** Pannello Luminoso p. **424**  
p. **404** Navigator p. **426**  
p. **406** Cortesia p. **430**  
p. **410** Carattere p. **432**

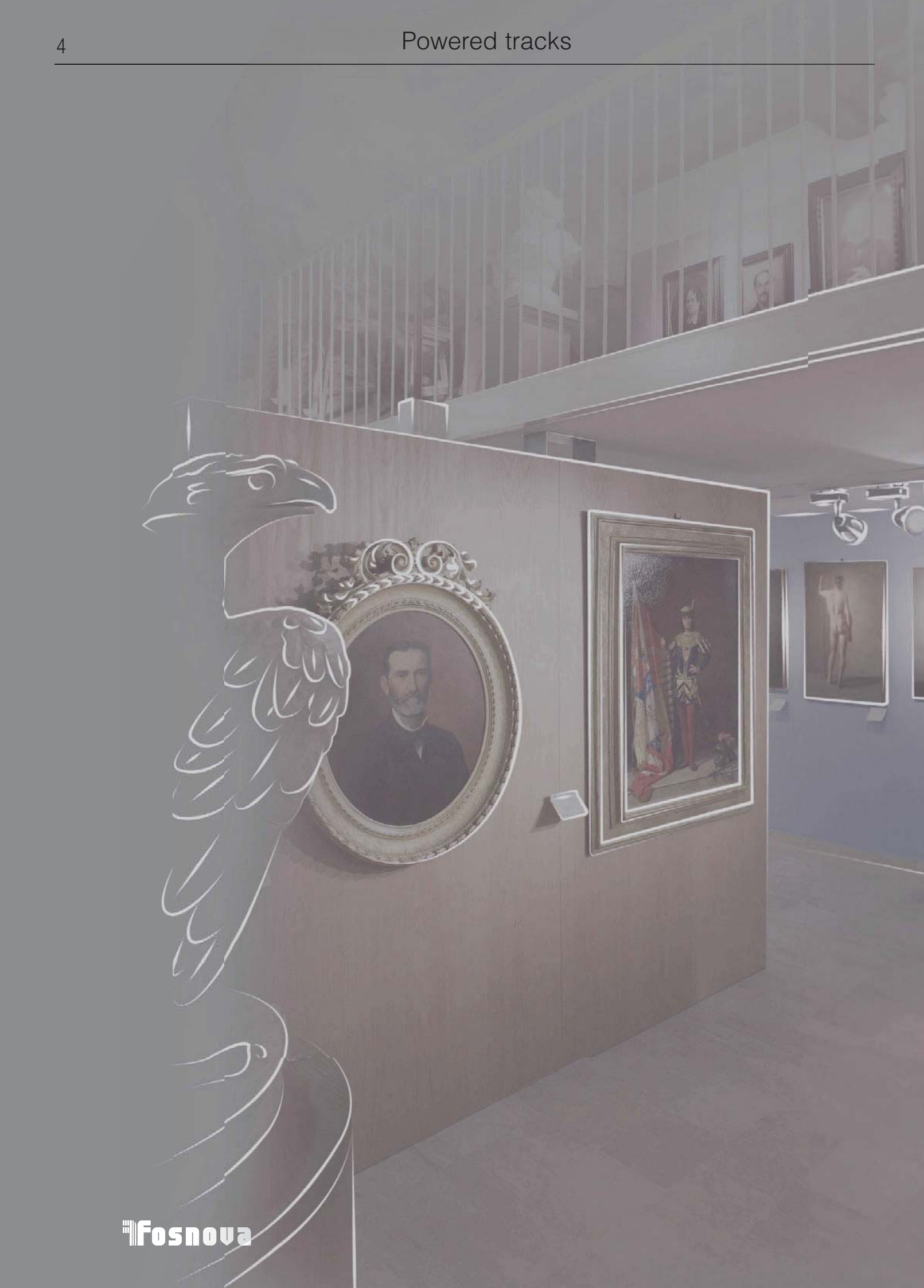


RGB Controls p. **450**  
DMX Technology p. **452**  
LED Watertight p. **454**  
DMX Controls p. **455**  
LED p. supply p. **456**  
Strip p. supply p. **458**  
Kit p. **459**  
Loop-in p. **460**  
pres. sensor p. **461**  
Emergency p. **462**  
EM. watertight p. **465**

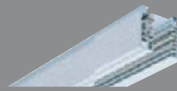
Norms / Regulations p.  
Caratteristiche p.  
lampade  
Dimmables p.

Index

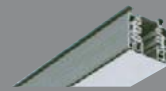
p. **478**







.....  
Omnitrack **p. 7**  
3 circuit track



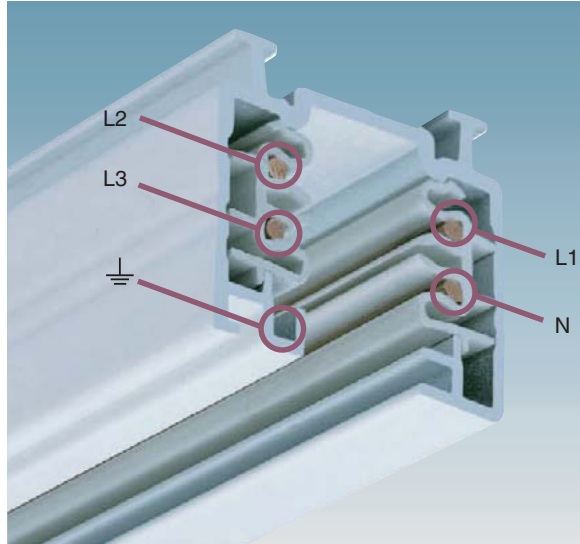
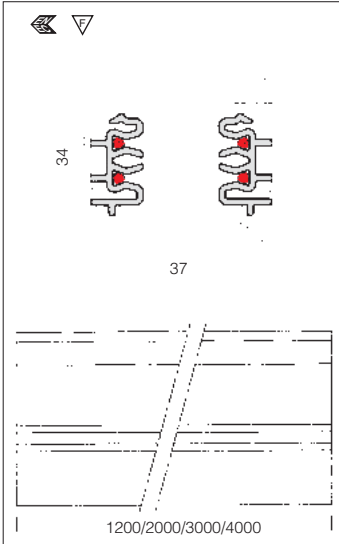
.....  
Omnitrack **p. 7**  
IP40



.....  
Omnitrack **p. 16**  
Double track

.....  
Omnitrack **p. 17**  
Recessed track



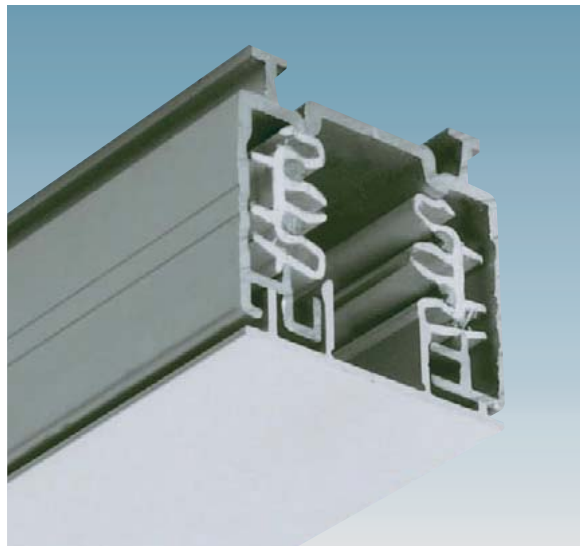
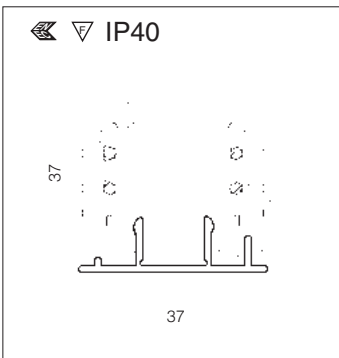
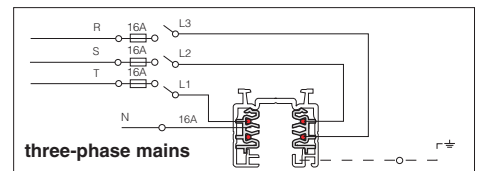
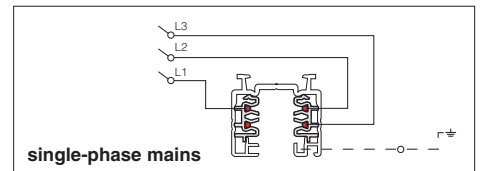


**Housing:** Three-phase track for 3 separate electrical circuits. Extruded aluminium rectangular section, containing an insulating PVC profile with 4 copper leads, while the profile itself provides the system's grounding. Maximum load: 16A for each conductor.

**Standard supply:** Supplied with one end cap. Along the top of the track are slots to be used for fastening or recesses for insertion of accessories. Omnitrack is designed to accommodate most adapters available on the market. On request, Omnitrack can be easily cut to the desired lengths.

Omnitrack 3 circuit track			
		S	
m	colour	weight	code
1,20	white Al. track	1,30	22015011-00
2,00	white Al. track	2,00	22015112-00
3,00	white Al. track	3,00	22015213-00
1,20	black Al. track	1,30	22015031-00
2,00	black Al. track	2,00	22015132-00
3,00	black Al. track	3,00	22015233-00
1,20	oxy. Al. track	1,30	22015071-00
2,00	oxy. Al. track	2,00	22015172-00
3,00	oxy. Al. track	3,00	22015273-00
4,00	oxy. Al. track	4,00	22015374-00

Supplied with cap.



Complete with cover (50cm), in this case the track complies with IP40 rating, in compliance with the CEI EN 60529 standard.

Omnitrack with IP40 cover			
		S	
m	colour	weight	code
1,20	oxy. Al. track	0,60	22015072-00
2,00	oxy. Al. track	2,40	22015173-00
3,00	oxy. Al. track	3,60	22015274-00
4,00	oxy. Al. track	4,80	22015375-00



It allows the power cable to be inserted either into the end cap or from the top.

The power supply includes an accessory for the choice of different phases and ground contacts.

1200-2000-3000

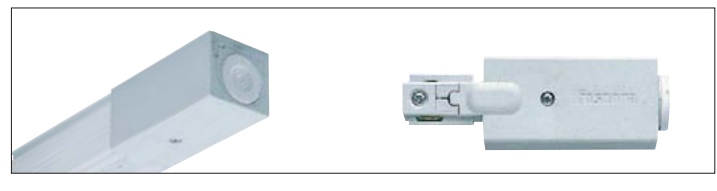
B P P P P B

1200 mm B = 200 P = 800  
 2000 mm B = 200 P = 800  
 3000 mm B = 300 P = 800

Mounting spacings for any system.

Power supply			
material	colour	weight	code
polycarbonate	white	0,09	22025102-00
polycarbonate	grey	0,09	22025110-00
polycarbonate	black	0,09	22025131-00

For track power supply. Quick-connect with a guide pawl and an accessory for the selection of phase-neutral position. Used together with the cubes, it allows linear, L-shaped, T-shaped or cross-joint connections.



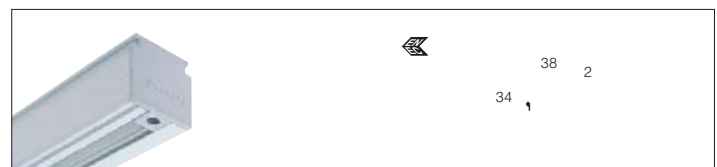
Power supply			
material	colour	weight	code
polycarbonate	dark grey	0,09	22025174-00

For track power supply. Quick-connect with a guide pawl and an accessory for the selection of phase-neutral position. Used together with the cubes, it allows linear, L-shaped, T-shaped or cross-joint connections.



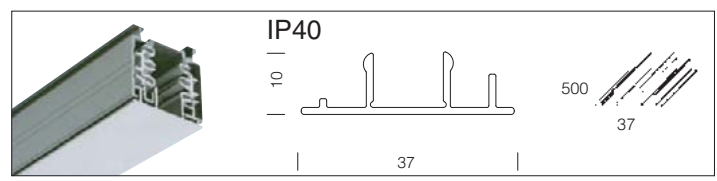
End cap			
material	colour	weight	code
polycarbonate	white	0,01	22025505-00
polycarbonate	grey	0,01	22025510-00
polycarbonate	black	0,01	22025536-00

To be used when the track is cut into several pieces.



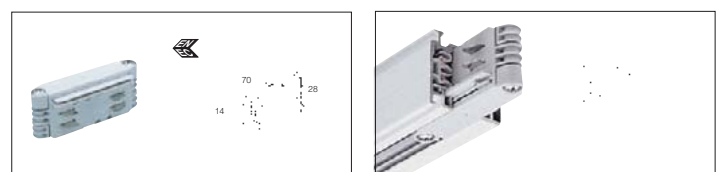
Omnitrack with IP40 cover			
size	colour	weight	code
500	white Al. track	0,10	22025515-00
500	black Al. track	0,10	22025533-00
500	oxy. Al. track	0,10	22025572-00

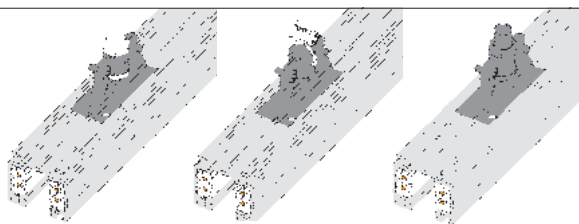
To be applied to Omnitrack track as a cover, in this case the track complies with IP40 rating, according to CEI EN 60529 standard.



Linear joint			
material	colour	weight	code
polycarbonate	white	0,08	22025404-00
polycarbonate	grey	0,08	22025410-00
polycarbonate	black	0,08	22025435-00
polycarbonate	dark grey	0,08	22025175-00

For perfect alignment of POWERED TRACKS and power connection. Quick-connect with a guide pawl.

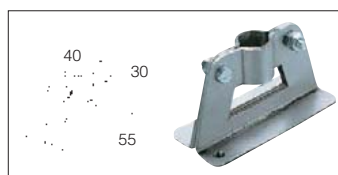




The track is equipped with a slot for direct ceiling installation without accessories, or for suspension installation.

The slot enables:

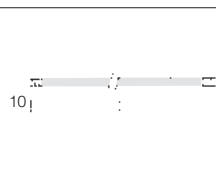
- suspension with Ø 13 rod
- steel wire suspension
- direct ceiling installation by means of fisher screws.



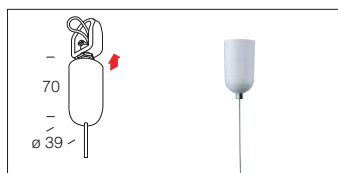
Suspension attachment	
steel	22025611-00
For suspension installation using a Ø10 rod, steel wire acc. 22003106/86-00 or 22003187/07-00. Optionally, it can be made to slide along the track's axis. Max load: 20 kg. with steel wire and 30 kgs with rods.	



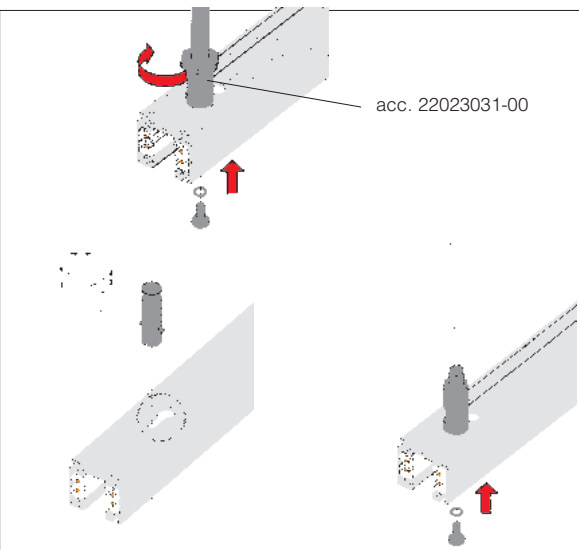
Suspension attachment rods ø 13	
steel	22023031-00
To be used with rods Ø13. Max load 20 kg every 35 cm.	
Suspension attachment	
	22023032-00
With millimetre adjustment device to be used with acc. 22003106/86/07/87/66-00.	



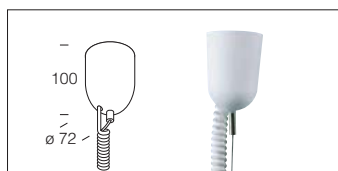
Rods Ø 10	
black	22023336-00
black	22023337-00
For suspension mounting in combination with acc. 22025611-00 or with acc. 22023032-00.	



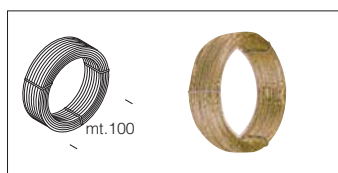
Ceiling suspension	
white	22003186-00
black	22003106-00
With steel wire (l= 1.5 m) and millimetre adjustment device. Max load: 20 kg.	



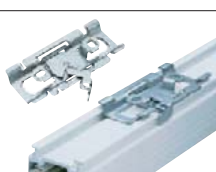
Ceiling rose for suspension rod	
white	22003119-00
black	22003139-00
Finishing cup to be applied with Ø 10 rods.	



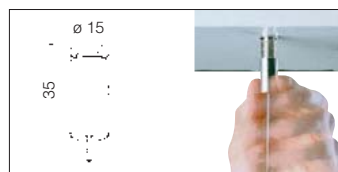
Powered Ceiling Suspension	
white	22003187-00
black	22003107-00
With steel wire (l=1.5m), adjustment device, and power cord. Max load: 20 kg.	



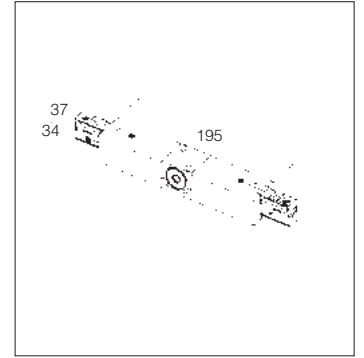
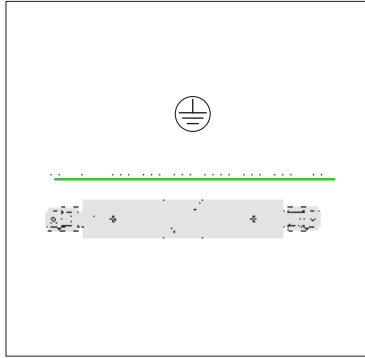
Suspension wire	
steel	22005226-00
100 mt. wire	



Ceiling Connection	
steel	22025610-00
Device to fasten track to the ceiling or wall, also helps slide the track along its axis. Max load: 20 kg. every 35 cm.	

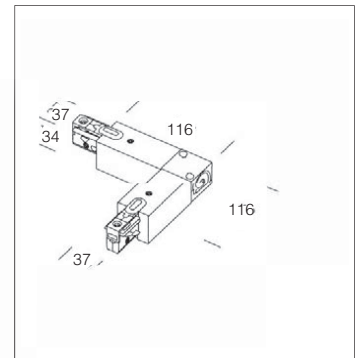
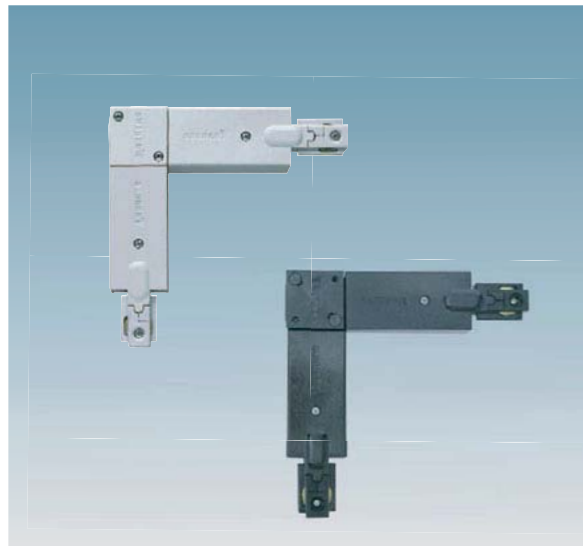
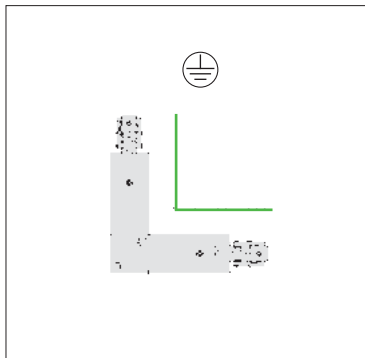


Suspension attachment	
nickel-plated	22003166-00
Suspension system supplied with steel wire (l=1.75m) with a millimetre adjustable device. Max load: 20 kg.	



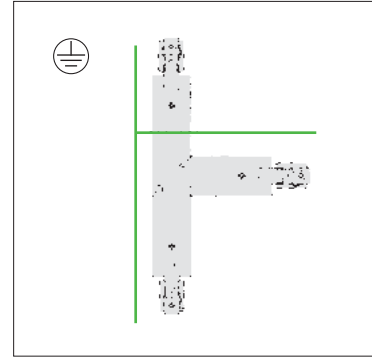
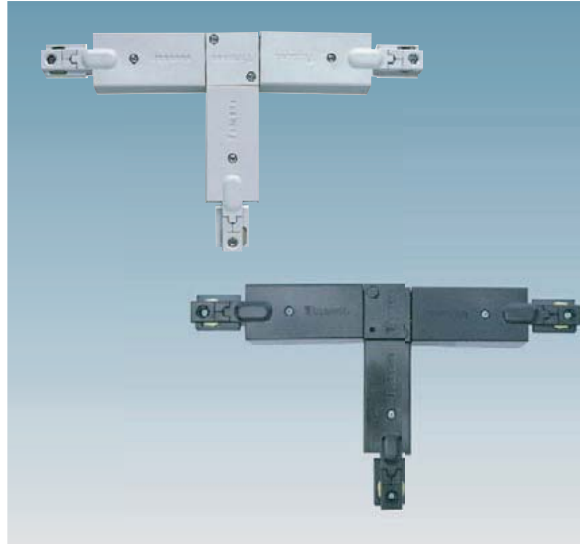
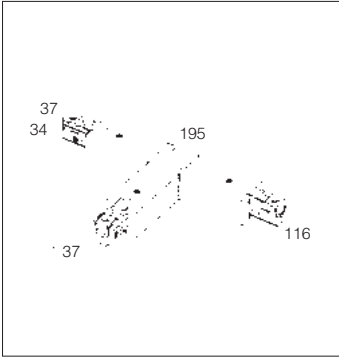
Linear joint		
colour	weight	code
white	0.20	22025104-00
grey	0.20	22025111-00
black	0.20	22025132-00

Made of polycarbonate. Preassembled component, ready to use. It permits electric and mechanical connection. Includes three end plugs and power cable.



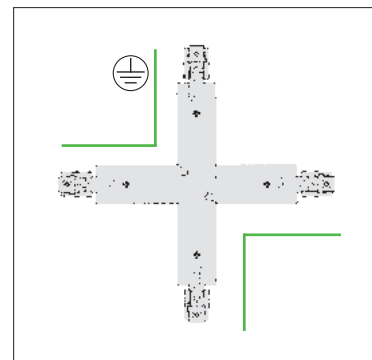
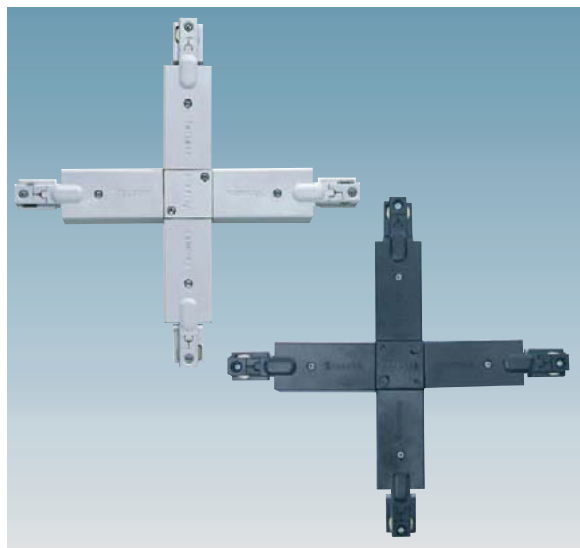
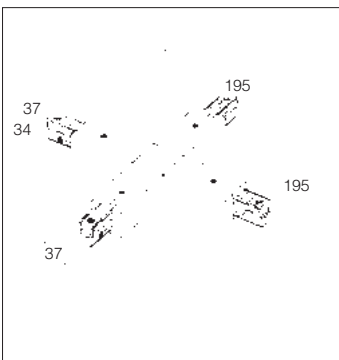
Internal L-shaped joint		
colour	weight	code
white	0.20	22025106-00
grey	0.20	22025113-00
black	0.20	22025134-00

Made of polycarbonate. Preassembled, ready to use component. It provides "internal" electric connection and mechanical connection for the L-shaped joint. Supplied with three end plugs and power cable.



Made of polycarbonate.  
Preassembled, ready to use component. It provides "left-sided" electric connection and mechanical connection for the T-shaped joint. Supplied with 2 end plugs and power cable.

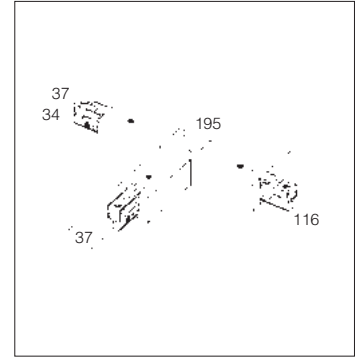
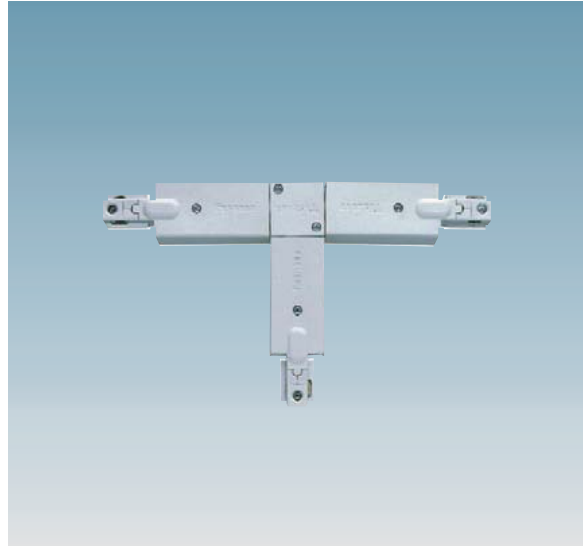
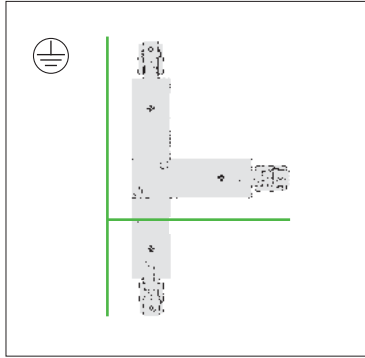
T-shaped, left sided joint		
colour	weight	code
white	0.30	22025108-00
grey	0.30	22025115-00
black	0.30	22025136-00



Made of polycarbonate.  
Preassembled, ready to use component. It provides "cross-shaped" electric connection and mechanical connection. Supplied with one end plug and power cable.

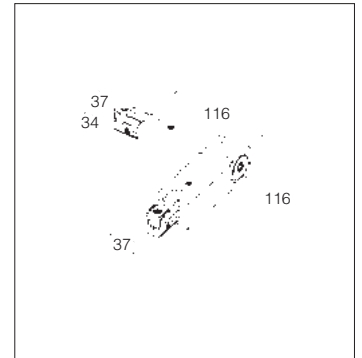
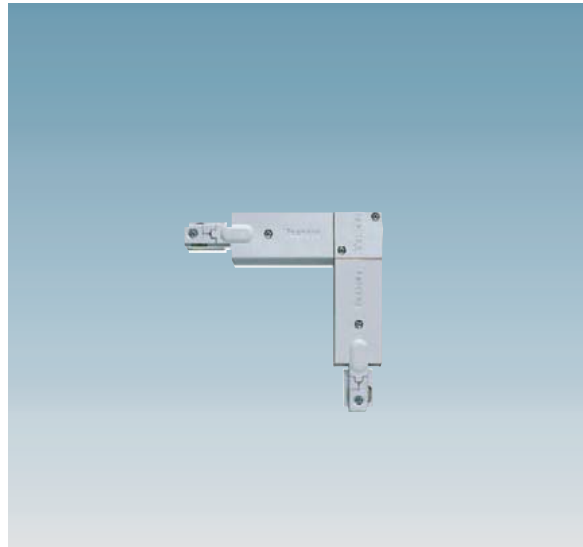
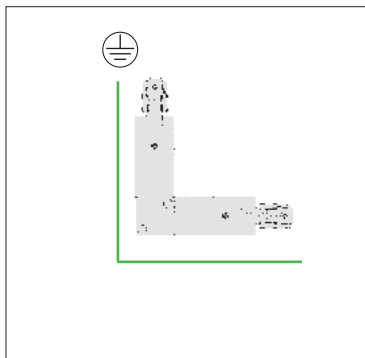
Cross joint		
colour	weight	code
white	0.40	22025109-00
grey	0.40	22025116-00
black	0.40	22025137-00





T-shaped, right-sided Joint		
colour	weight	code
white	0.30	22025107-00
grey	0.30	22025114-00
black	0.30	22025135-00

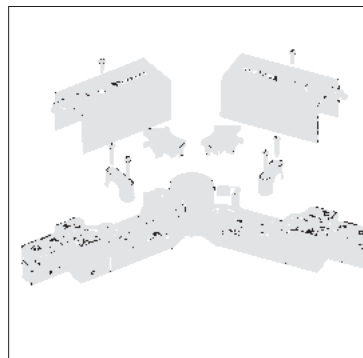
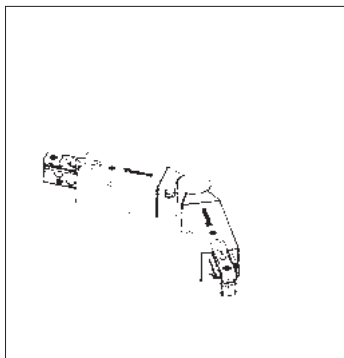
Preassembled component, ready to use. It permits "right-sided" electric connection and mechanical connection for the T-shaped joint. Includes 2 end plugs and power cable.



External L-shaped Joint		
colour	weight	code
white	0.20	22025105-00
grey	0.20	22025112-00
black	0.20	22025133-00

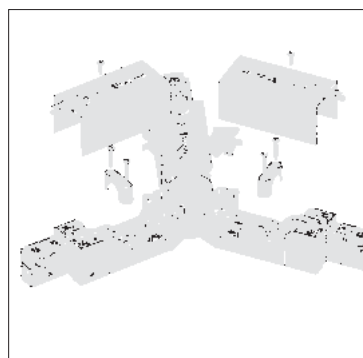
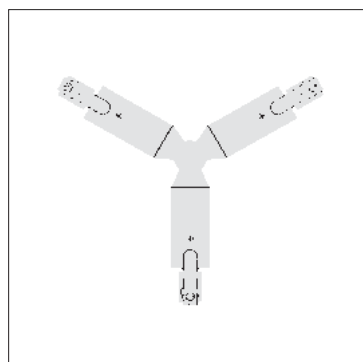
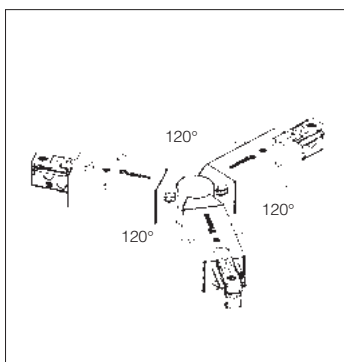
Made of polycarbonate. Preassembled component, ready to use. It permits "external" electric connection and mechanical connection for the L-shaped joint. Includes three end plugs and power cable.





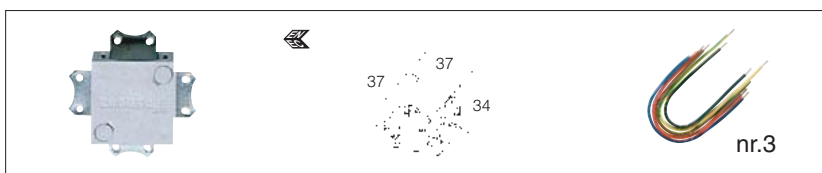
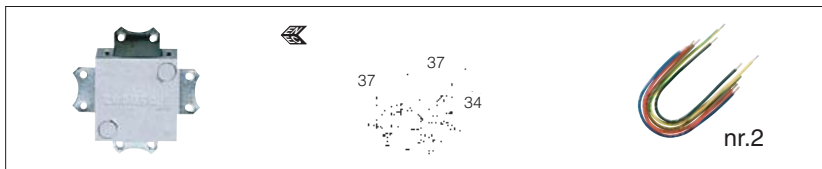
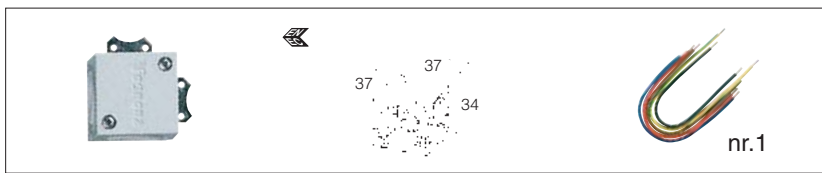
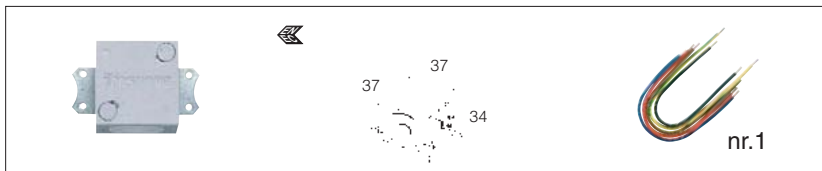
Enables power connection and junction with variable angles.

Circular 2-way Joint		
colour	weight	code
white	0.20	22025117-00
grey	0.20	22025171-00
black	0.20	22025138-00



Enables power connection and junction with 120° fixed angles.

Circular 3-way Joint		
colour	weight	code
white	0.30	22025118-00
grey	0.30	22025173-00
black	0.30	22025139-00



Linear joint cube		
colour	weight	code
white	0.05	22025202-00
grey	0.05	22025210-00
black	0.05	22025231-00

To be used with the power supply and with the cable acc. 22025810-00.

L-shaped Joint Cube		
colour	weight	code
white	0.05	22025203-00
grey	0.05	22025211-00
black	0.05	22025232-00

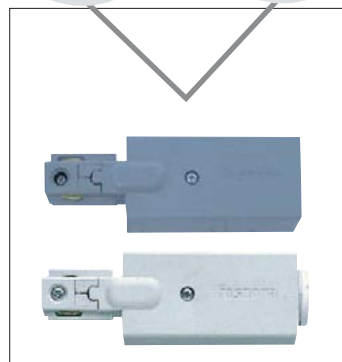
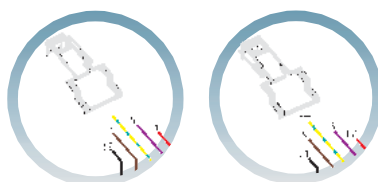
Permits L-shaped joint connection. To be used with the power supply and cable acc. 22025810-00. Includes two end plugs.

T-shaped Joint Cube		
colour	weight	code
white	0.05	22025204-00
grey	0.05	22025212-00
black	0.05	22025233-00

Permits T-shaped joint connection. To be used with the power supply and 2 packets of cable acc. 22025810-00. Includes two end plugs.

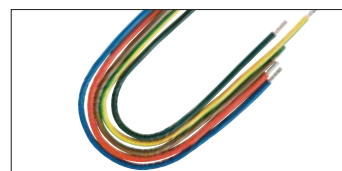
Cross Joint Cube		
colour	weight	code
white	0.05	22025205-00
grey	0.05	22025213-00
black	0.05	22025234-00

To be used with the power supply and 3 packets of cable acc. 22025810-00. Includes three end plugs.



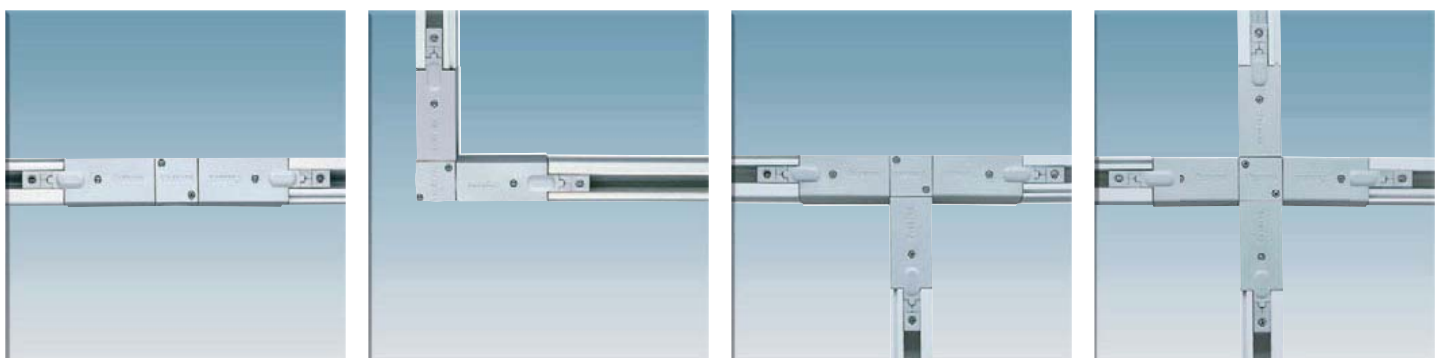
Power supply		
colour	weight	code
white	0.09	22025102-00
grey	0.05	22025110-00
black	0.05	22025131-00
dark grey	0.09	22025174-00

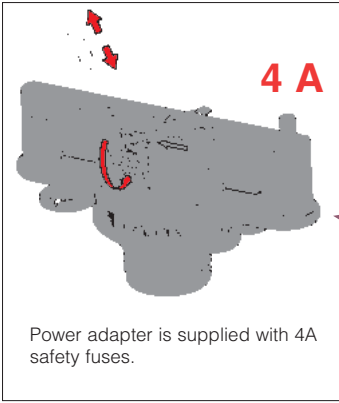
Provides power to the track. Quick-connect with a guide pawl and an accessory for the selection of phase-neutral position. It allows the power cable to be inserted either into the end cap or into the top.



Power cable	
code	
22025810-00	

Complete set of 5 wires for power supply. To be used with junction cubes.



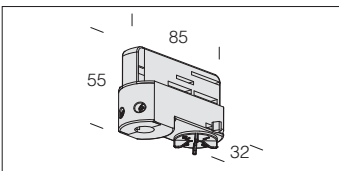


Power adapter is supplied with 4A safety fuses.

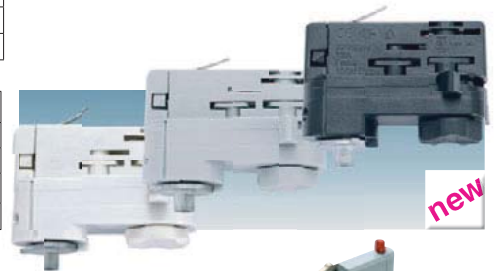


Adapter equipped with a double locking device on the track and a 3 phase selection wheel. Max bearable weight 5 kg. Type approved for 6A. It can be mounted on major commercial track systems.

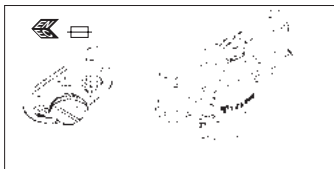
Power adapter	
colour	code
white	22025305-00
grey	22025310-00
black	22025331-00
dark grey	22025372-00



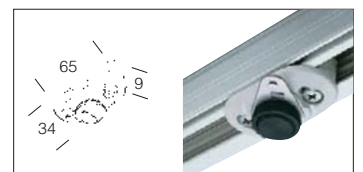
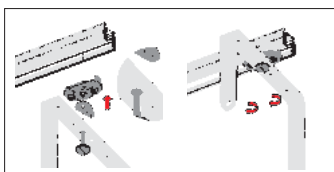
Power adapter "Global"	
colour	code
white	22093415-00
black	22093435-00
grey	22093475-00



Mechanical + Power adapter	
white	22093315-00
grey	22093371-00
black	22093334-00
Max load 6 Kg.	



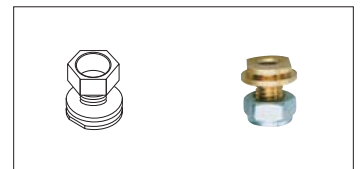
Mechanical adapter	
white	22025704-00
grey	22025710-00
black	22025731-00
To be used with floodlights weighing more than 6 kgs. We recommend its use for mounting floodlights on a wall track. Max load: 6 kg.	

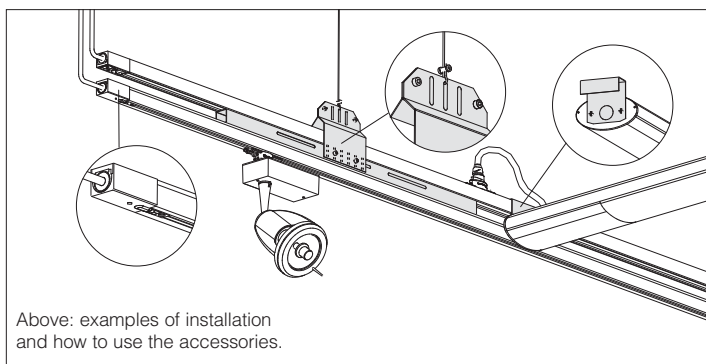
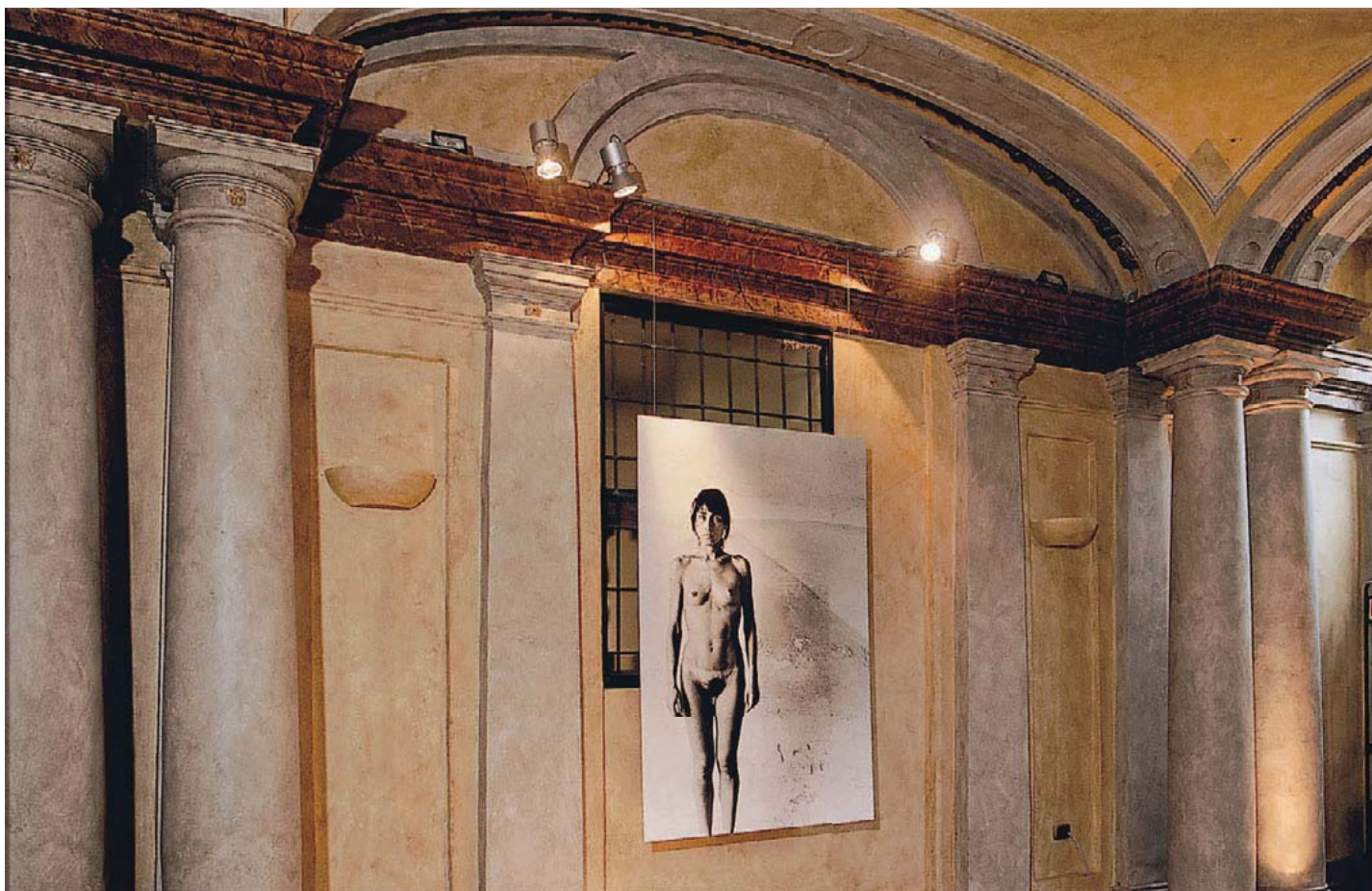


Coupler Ø 12	
22023113-00	
To be ordered when using other floodlights with connection (M12x1).	

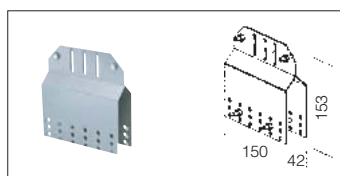


Coupler Ø 10	
22023110-00	
To be ordered when using other floodlights with connection (M10x1).	

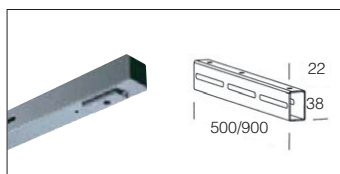




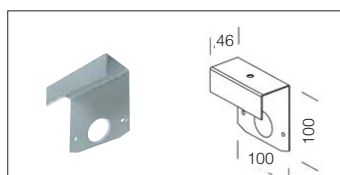
This structure is obtained by using the appropriate accessories with the OMNITRACK track. The 2-way track's main feature is the possibility to use it as an electrified track for accent light floodlights (lower side), and as a load-bearing system to support a ceiling fixture for general lighting.



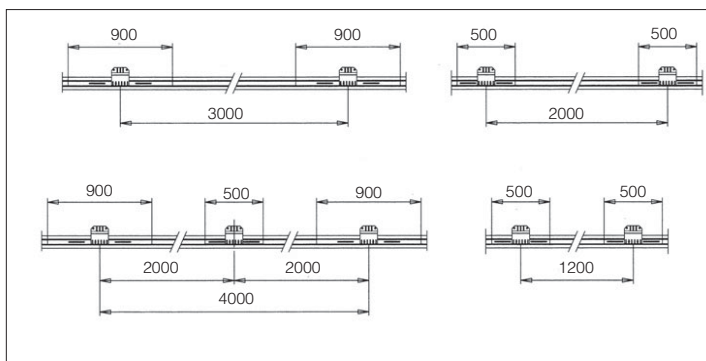
Bracket suspension		
steel		22024870-00
For suspension and installation of two Omnitrack tracks.		



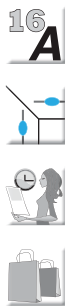
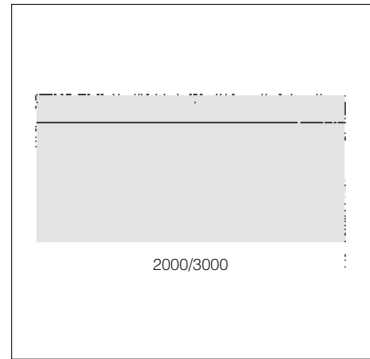
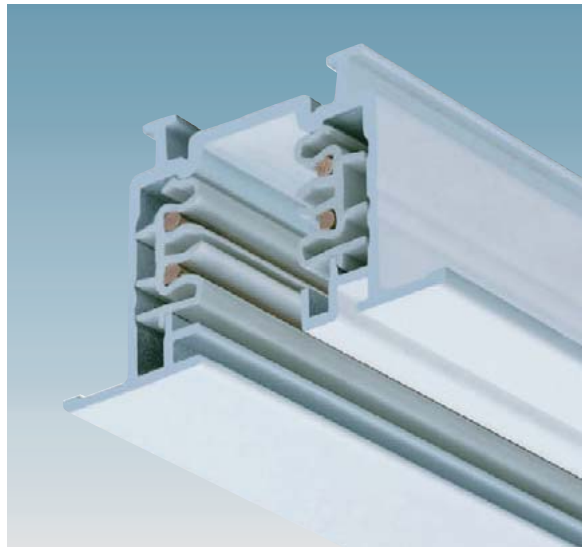
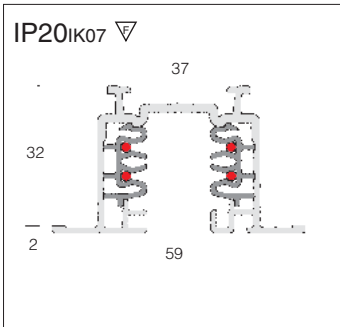
Track bracket		
steel	L=500	22024875-00
steel	L=900	22024879-00
Made in steel. To join two Omnitracks and to attach bracket acc. 22024870-00.		



Ceiling fixture mounting bracket	
steel	22024871-00
The coupler permits the installation of the "OVALE" and "TOP" fixtures on the double track.	



Power supply	
white	22025102-00
grey	22025110-00
black	22025131-00
dark grey	22025174-00
Provides power to the track.	

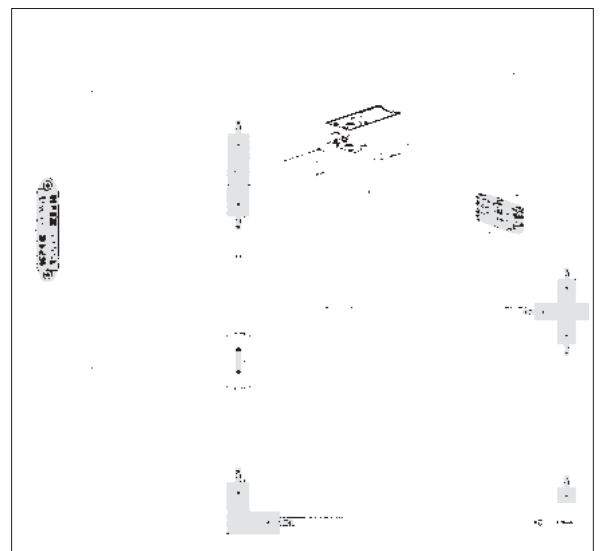
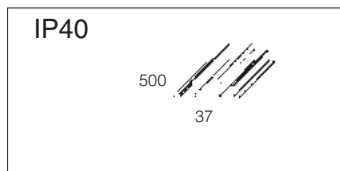


Recessed Omnitrack			
		S	
m	colour	weight	code
2.00	Al. ox. nat.	2.70	22015572-00
2.00	white	2.70	22015513-00
3.00	Al. ox. nat.	4.00	22015674-00
3.00	white	4.00	22015616-00

Complete with one cap.

Cover for IP40			
500	0,10	white Al.track	22025515-00
500	0,10	black Al. track	22025533-00
500	0,10	Al. ox. nat.	22025572-00

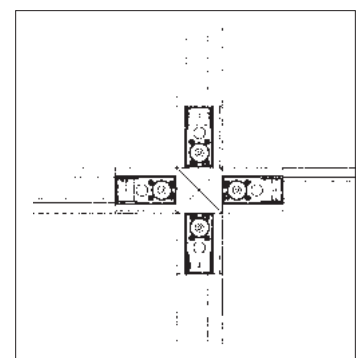
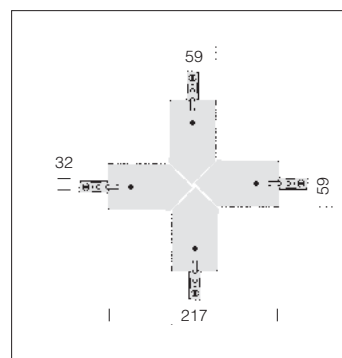
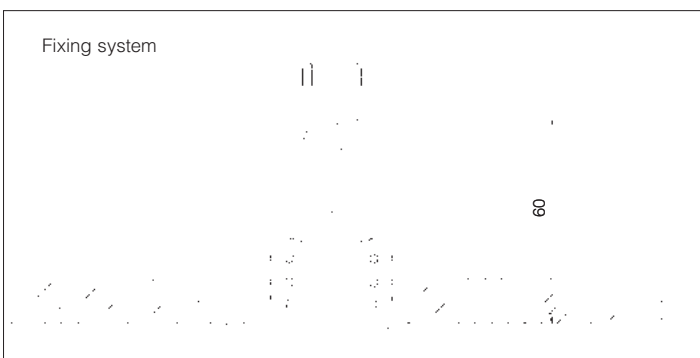
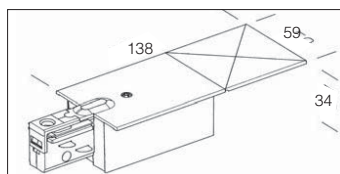
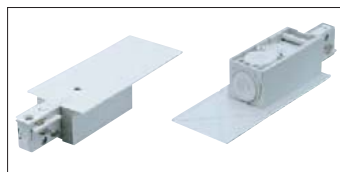
Length = 500mm. To be installed as covers on Omnitrack tracks, in this case the track complies with IP40 rating, in compliance with the CEI EN 60529 standard.

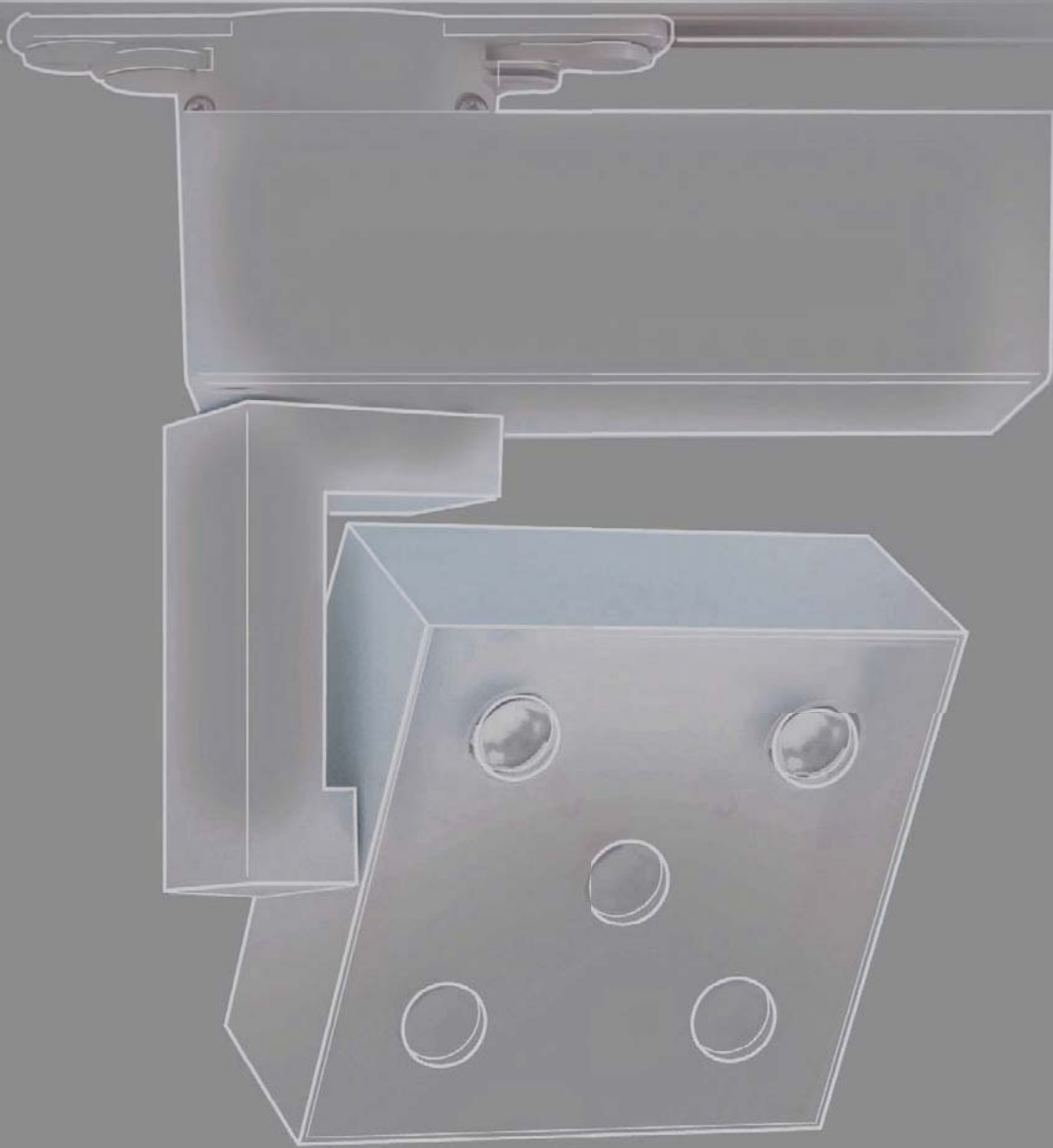


Recessed power supply			
white	0.20		22024710-00
grey	0.20		22024772-00

Provides power to the track. Quick-connected with a guide pawl and an accessory for selection of phase-neutral position. It allows input of the power cable. It allows linear, L-shaped, T-shaped or cross-joint connections.

Straight joint			
polycarbonate	white		22025404-00
polycarbonate	grey		22025410-00
polycarbonate	black		22025435-00
polycarbonate	m. grey		22025175-00







new

Black Spot p. 46



Cast base - omnitrack p. 122



Compendio p. 112



Daryl p. 134



Epik p. 147



Fix p. 153



Giotto base p. 102



Giotto omnitrack p. 96



Giotto stelo p. 110



Gotham p. 144



Jolly p. 140



Joy p. 152



Kim 2 p. 150



Leo base p. 84



Leo omnitrack p. 78



Matrix base p. 64



Matrix omnitrack p. 56



Matrix wall version - suspension p. 70



Matrix floor version p. 73



Matrix Spot p. 50



Mini Leo p. 90



Sonik base - omnitrack p. 118



Stelo p. 154



Trial One p. 148



Vision base p. 32



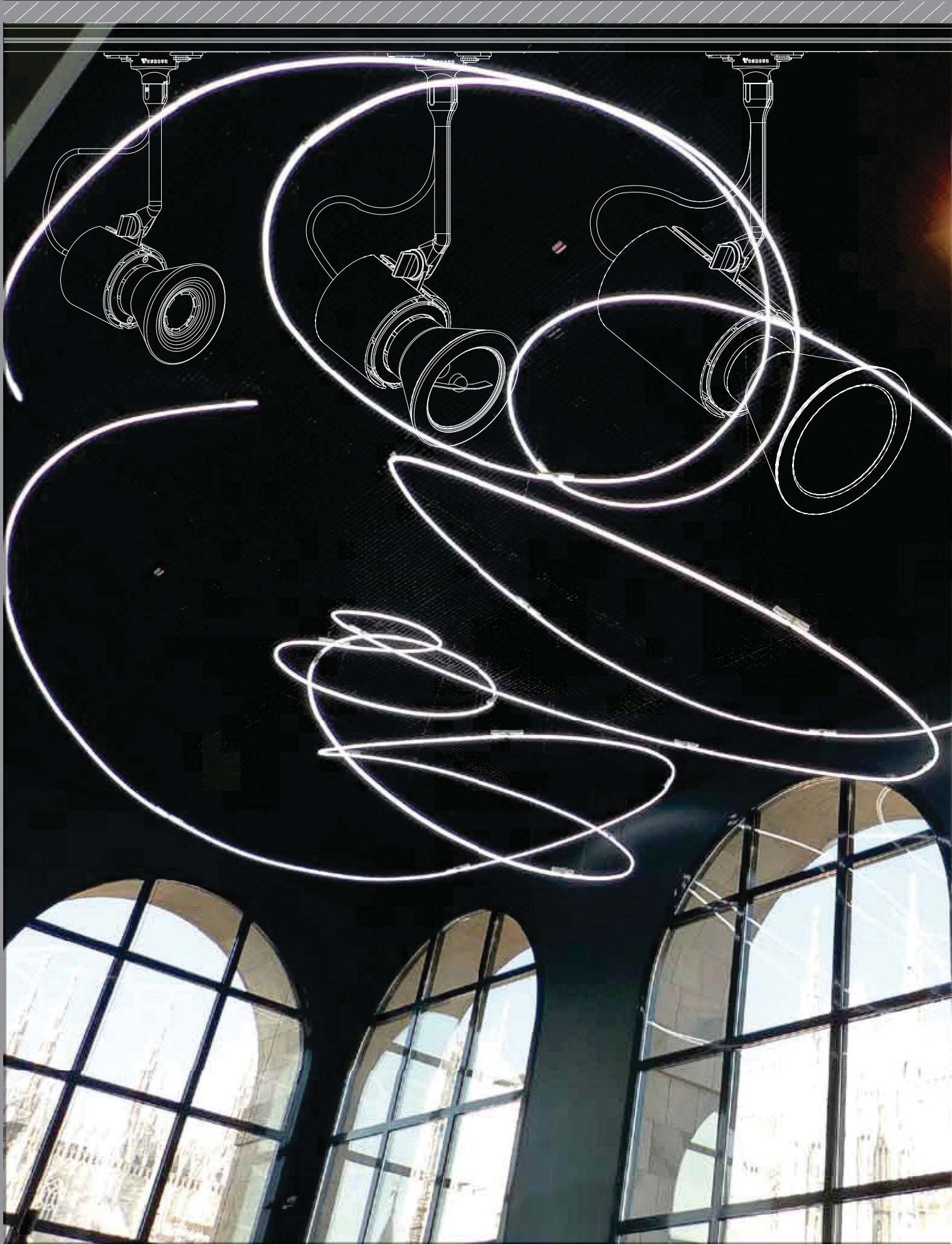
Vision omnitrack p. 24



Vision bracketand ceiling version p. 40



Zoom p. 138







Vision is a family of floodlights covering the widest range of sources and lighting design needs for perfect optical control of the light beams. A series of fixtures designed to satisfy the most widely differing architectural lighting and display needs, with performance in mind and using the most innovative light sources to ensure excellent visual comfort.

The highest performance components are contained in an extruded aluminium housing with through chambers which permit optimised heat exchange by conductive and convective dispersion thus increasing the performance and reliability of the floodlights. The movable L-shaped supporting rod permits optimised balancing of the fixture whatever its configuration.

The direction can be precisely controlled and the light beam accurately aimed using the radial micrometric scale. Modern lighting design increasingly often demands excellent aesthetic results.

When a product maintains the same aesthetic design, it becomes increasingly important to have various types of light source to choose from. Vision has thus been created to satisfy any need. In fact, a single housing guarantees application continuity even when using different optical units and lamps, and is ideal for use in places where - when accent lighting is required - the quality of the light output must be differentiated.





INTERIOR FLOODLIGHTS



**Housing:** Die-cast aluminium with cooling vents.

**Reflector:** Oxidised polished aluminium for the version equipped with lamps without reflector.

**Coating:** Power-coated with a UV-resistant polyester epoxy paint.

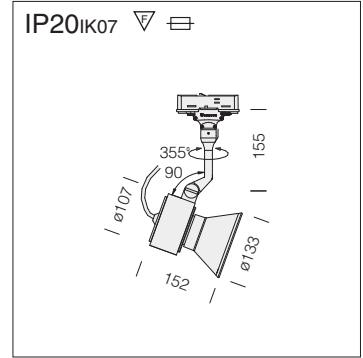
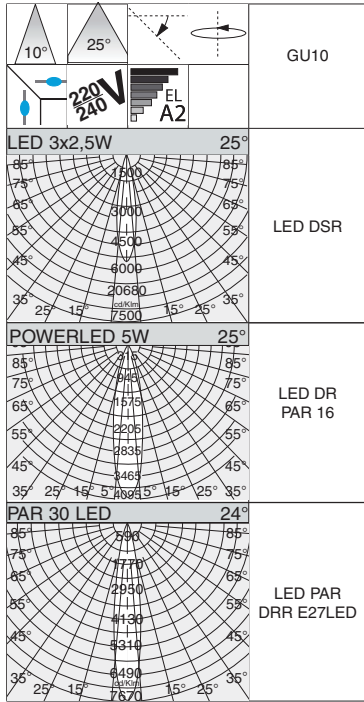
**Lampholder:** Ceramic with silver-plated contacts, or PBT with phosphorous bronze contacts.

**Regulations:** Manufactured in accordance with EN 60598-1-CEI 34.21 standards. Degrees of protection in accordance with EN60529 standards.





LED



Vision A+M - POWER LED - angle 10°					
		CLD CELL-F		W tot.	LED (Ta=25°C)
wattage/W 500mA	colour	weight	code		Kelvin - ølm (500 mA) - degrees
LED white 3x1,6W	m. silver	1,10	22700074-00	6	3000K - 450 lm - 10°
LED white 3x1,6W	m. silver	1,10	22700072-00		4000K - 570 lm - 10°
LED white 3x1,6W	m. silver	1,10	22700079-00		6000K - 570 lm - 10°

IP40IK07



Vision A+M - PAR30 LED					
		CLD CELL-F		W tot.	LED (Ta=25°C)
wattage/W	colour	weight	code		Kelvin - lm - CRI - degrees
PAR30 LED	white	1,00	22700111-00	10	3000K - 340lm - CRI80 - 24°
PAR30 LED	black	1,00	22700131-00		
PAR30 LED	m. silver	1,00	22700171-00		



Vision A+M - POWER LED - angle 10°					
		CLD CELL-F		W tot.	LED (Ta=25°C)
wattage/W	colour	weight	code		Kelvin - cd - degrees
LED white 1x2,5W	m. silver	1,10	22700078-00	2,5	5000K - 120cd - 10°



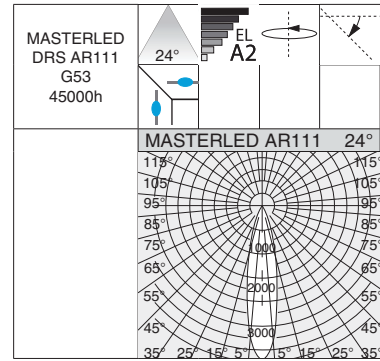
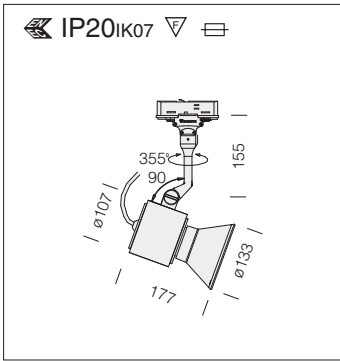
Vision A+M - POWER LED - angle 10°					
		CLD CELL-F		W tot.	LED (Ta=25°C)
wattage/W	colour	weight	code		cd - degrees
LED blue 1x2,5W	m. silver	1,10	22700078-71	2,5	120cd - 10°
LED red 1x2,5W	m. silver	1,10	22700078-72		120cd - 10°
LED yellow 1x2,5W	m. silver	1,10	22700078-73		120cd - 10°
LED green 1x2,5W	m. silver	1,10	22700078-74		120cd - 10°



Vision A+M - POWER LED - angle 25°					
		CLD CELL-F		W tot.	LED (Ta=25°C)
wattage/W	colour	weight	code		Kelvin - ølm - degrees
POWER LED 5W	white	1,10	22700110-00	5	3000K - 240lm - 25°
POWER LED 5W	black	1,10	22700130-00		
POWER LED 5W	m. silver	1,10	22700170-00		

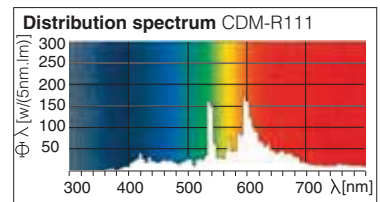
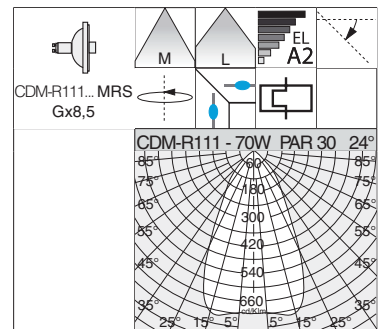
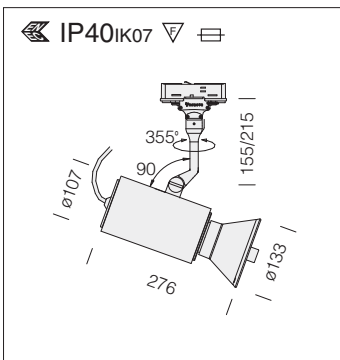


Vision A+M - POWER LED - angle 25°					
		CLD CELL-F		W tot.	LED (Ta=25°C)
wattage/W 700mA	colour	weight	code		Kelvin - ølm (700 mA) - degrees
LED white 3x2,5W	m. silver	1,10	22700070-00	8	3000K - 540lm - 25°
LED white 3x2,5W	m. silver	1,10	22700071-00		4000K - 645lm - 25°
LED white 3x2,5W	m. silver	1,10	22700076-00		6000K - 645lm - 25°



**Vision B+M - MASTERLED AR111**

		CLD CELL-F		LED (Ta=25°C)	
wattage/W	colour	weight	code	W tot	Kelvin - olm - CRI - degrees
MASTERLED AR111-15W	white	1,10	22700219-00	16	3000K - 745lm - CRI80 - 24°
MASTERLED AR111-15W	black	1,10	22700279-00		
MASTERLED AR111-15W	m. silver	1,10	22700239-00		



CDM-R lamps are designed for decorative illumination and exhibitions. The energy consumption and heat production are reduced by at least 66%. Lamps life is up to 4 times more than using a halogen lamp (11000h average life).

**Vision C+M**

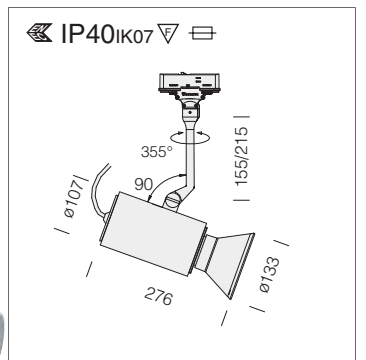
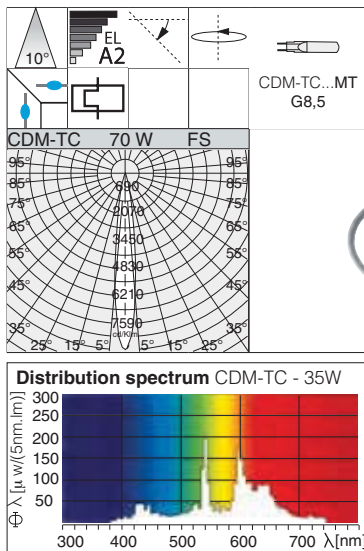
		CELL-F - SHORT version		CELL-F - LONG version		Lamps (Ta=25°C)	
wattage/W	colour	weight	code	weight	code	Kelvin - olm - Ra - degrees	
CDM-R111 70	white	1,90	22700518-00	2,00	22700512-00	3000K - 2850lm - Ra84 - 42°	
CDM-R111 70	black	1,90	22700538-00	2,00	22700532-00		
CDM-R111 70	m. silver	1,90	22700578-00	2,00	22700572-00		

**Vision C+M - LONG version**

		CELL-F		Lamps (Ta=25°C)	
wattage/W	colour	weight	code	Kelvin - cd - Ra - degrees	
CDM-Rm Elite 50	white	1,40	22700211-00	3000K - 5100cd - Ra90 - 40°	
CDM-Rm Elite 50	black	1,40	22700231-00		
CDM-Rm Elite 50	m. silver	1,40	22700271-00		

CDM-R mini 50W: beam angle on request 60°.

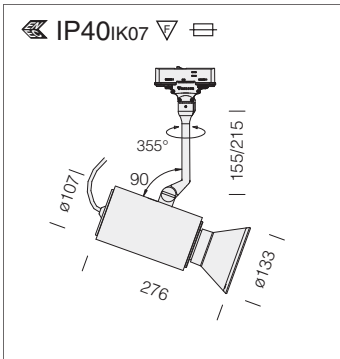




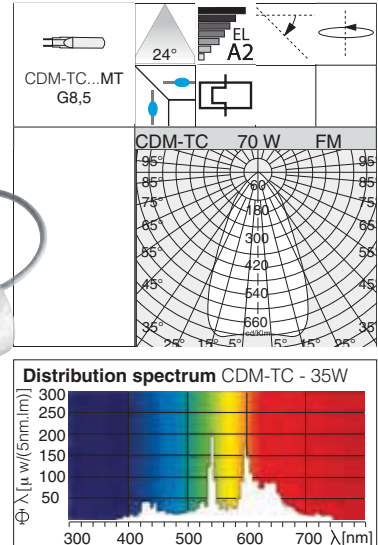
**Reflector:** in oxidized and faceted aluminium  
**Diffuser:** protection clear tempered glass.

**Vision C+M - FS**

		CELL-F LONG version		CELL-F SHORT version		Lamps (Ta=25°C)
wattage/W	colour	weight	code	weight	code	Kelvin - ølm - Ra - degrees
CDM-TC Elite 35	white	2,00	22700613-00	1,90	22700616-00	3000K - 3900lm - Ra90 - 10°
CDM-TC Elite 35	black	2,00	22700633-00	1,90	22700636-00	
CDM-TC Elite 35	m. silver	2,00	22700673-00	1,90	22700676-00	
CDM-TC Elite 50	white	2,00	22700411-00	1,90	22700413-00	3000K - 5500lm - Ra90 - 10°
CDM-TC Elite 50	black	2,00	22700431-00	1,90	22700433-00	
CDM-TC Elite 50	m. silver	2,00	22700471-00	1,90	22700473-00	
CDM-TC Elite 70	white	2,00	22700619-00	1,90	22700618-00	3000K - 7800lm - Ra90 - 10°
CDM-TC Elite 70	black	2,00	22700639-00	1,90	22700638-00	
CDM-TC Elite 70	m. silver	2,00	22700679-00	1,90	22700678-00	

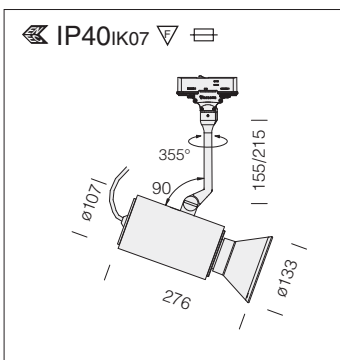


**Reflector:** in oxidized aluminium with semi-spherical facets.  
**Diffuser:** protection clear tempered glass.

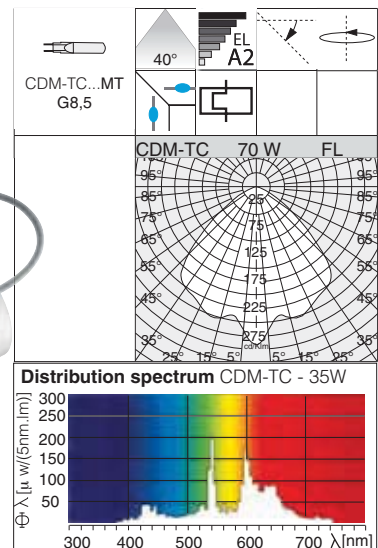


**CDM Elite Lamps:** suitable for shopping centres, ideal for enhancing the goods displayed.  
 - Maintenance cost reduction  
 - 10% increase in energy efficiency in contrast with traditional lamps  
 - Excellent colour rendering (CRI 90)  
 - Improved light levels (twice as powerful)  
**CDM-TC Elite 50W: 25% longer lifespan, 30% energy saving and lower power consumption compared to Elite 70W**

Vision C+M - FM						
		CELL-F LONG version		CELL-F SHORT version		Lamps (Ta=25°C)
wattage/W	colour	weight	code	weight	code	Kelvin - ølm - Ra - degrees
CDM-TC Elite 35	white	2,00	22700513-00	1,90	22700516-00	3000K - 3900 lm Ra 90 - 24°
CDM-TC Elite 35	black	2,00	22700533-00	1,90	22700536-00	
CDM-TC Elite 35	m. silver	2,00	22700573-00	1,90	22700576-00	
CDM-TC Elite 50	white	2,00	22700412-00	1,90	22700414-00	3000 K - 5500 lm Ra 90 - 24°
CDM-TC Elite 50	black	2,00	22700432-00	1,90	22700434-00	
CDM-TC Elite 50	m. silver	2,00	22700472-00	1,90	22700474-00	
CDM-TC Elite 70	white	2,00	22700515-00	1,90	22700517-00	3000K - 7800 lm Ra 90 - 24°
CDM-TC Elite 70	black	2,00	22700535-00	1,90	22700537-00	
CDM-TC Elite 70	m. silver	2,00	22700575-00	1,90	22700577-00	



**Reflector:** in oxidized and faceted matt aluminium  
**Diffuser:** protection clear tempered glass.

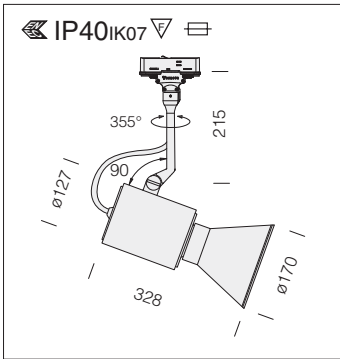


**CDM Elite Lamps:** suitable for shopping centres, ideal for enhancing the goods displayed.  
 - Maintenance cost reduction  
 - 10% increase in energy efficiency in contrast with traditional lamps  
 - Excellent colour rendering (CRI 90)  
 - Improved light levels (twice as powerful)  
**CDM-TC Elite 50W: 25% longer lifespan, 30% energy saving and lower power consumption compared to Elite 70W**

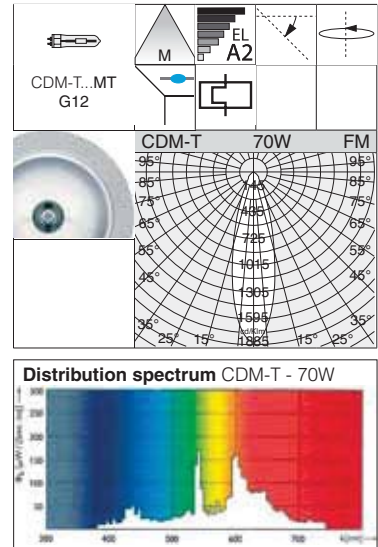
Vision C+M - FL						
		CELL-F LONG version		CELL-F SHORT version		Lamps (Ta=25°C)
wattage/W	colour	weight	code	weight	code	Kelvin - ølm - Ra - degrees
CDM-TC Elite 35	white	2,00	22700611-00	1,90	22700615-00	3000K - 3900 lm Ra 90 - 40°
CDM-TC Elite 35	black	2,00	22700631-00	1,90	22700635-00	
CDM-TC Elite 35	m. silver	2,00	22700671-00	1,90	22700675-00	
CDM-TC Elite 50	white	2,00	22700416-00	1,90	22700417-00	3000 K - 5500 lm Ra 90 - 40°
CDM-TC Elite 50	black	2,00	22700436-00	1,90	22700437-00	
CDM-TC Elite 50	m. silver	2,00	22700476-00	1,90	22700477-00	
CDM-TC Elite 70	white	2,00	22700612-00	1,90	22700614-00	3000K - 7800 lm Ra 90 - 40°
CDM-TC Elite 70	black	2,00	22700632-00	1,90	22700634-00	
CDM-TC Elite 70	m. silver	2,00	22700672-00	1,90	22700674-00	





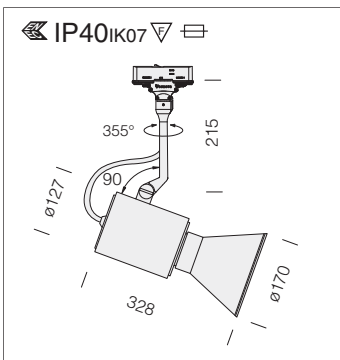


**Reflector:** in oxidized aluminium with semi-spherical facets.  
**Diffuser:** protection clear tempered glass.

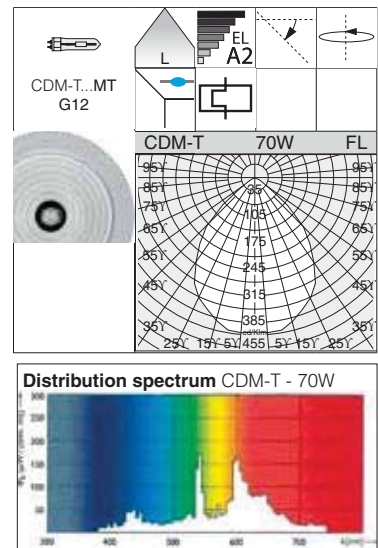


**CDM Elite Lamps:** suitable for shopping centres, ideal for enhancing the goods displayed.  
 - Maintenance cost reduction  
 - 10% increase in energy efficiency in contrast with traditional lamps  
 - Excellent colour rendering (CRI 90)  
 - Improved light levels (twice as powerful)

Vision D+N - medium beam				Lamps (Ta=25°C)	
CELL-F		CELL-F		Kelvin - ølm - Ra	
wattage/W	colour	weight	code		
CDM-T Elite 70	white	2,60	22700714-00	3000K - 7800 lm - Ra 90	
CDM-T Elite 70	black	2,60	22700734-00		
CDM-T Elite 70	m. silver	2,60	22700774-00		

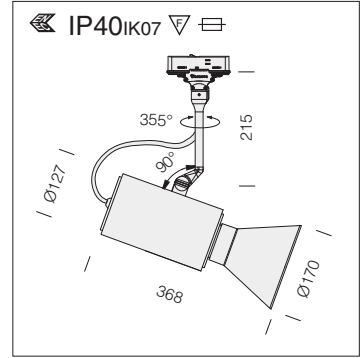
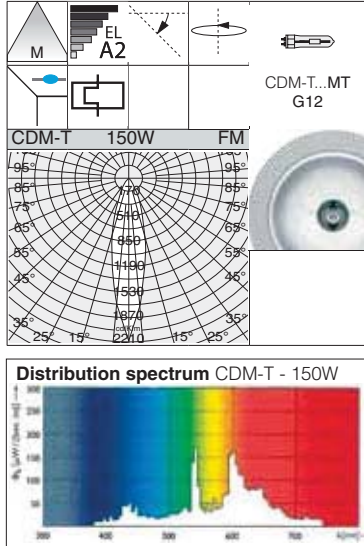


**Reflector:** in oxidized and faceted matt aluminium  
**Diffuser:** protection clear tempered glass.



**CDM Elite Lamps:** suitable for shopping centres, ideal for enhancing the goods displayed.  
 - Maintenance cost reduction  
 - 10% increase in energy efficiency in contrast with traditional lamps  
 - Excellent colour rendering (CRI 90)  
 - Improved light levels (twice as powerful)

Vision D+N - wide beam				Lamps (Ta=25°C)	
CELL-F		CELL-F		Kelvin - ølm - Ra	
wattage/W	colour	weight	code		
CDM-T Elite 70	white	2,60	22700716-00	3000K - 7800 lm - Ra 90	
CDM-T Elite 70	black	2,60	22700736-00		
CDM-T Elite 70	m. silver	2,60	22700776-00		

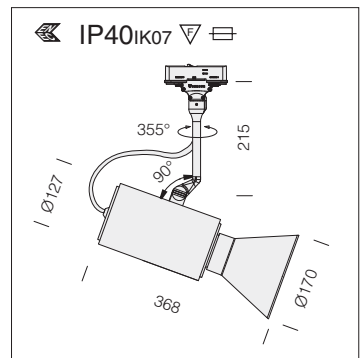
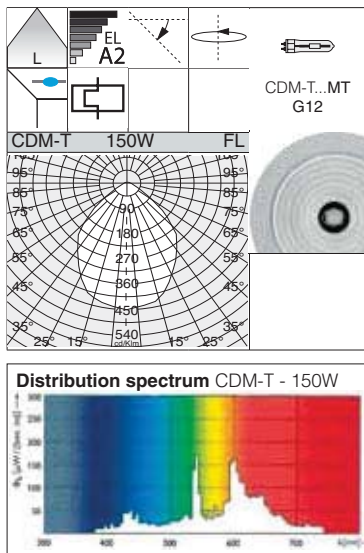


**Reflector:** in oxidized aluminium with semi-spherical facets.  
**Diffuser:** protection clear tempered glass.

Vision E+N - medium beam				
		CELL-F		Lamps (Ta=25°C)
wattage/W	colour	weight	code	Kelvin - ølm - Ra
CDM-T Elite 100	white	2,80	22700912-00	3000K - 11000 lm - Ra 90
CDM-T Elite 100	black	2,80	22700932-00	
CDM-T Elite 100	m. silver	2,80	22700972-00	
CDM-T Elite 150	white	2,90	22700813-00	3000K - 15000 lm - Ra 90
CDM-T Elite 150	black	2,90	22700833-00	
CDM-T Elite 150	m. silver	2,90	22700873-00	

**CDM Elite Lamps:** suitable for shopping centres, ideal for enhancing the goods displayed.

- Maintenance cost reduction
- 10% increase in energy efficiency in contrast with traditional lamps
- Excellent colour rendering (Ra 90)
- Improved light levels (twice as powerful)

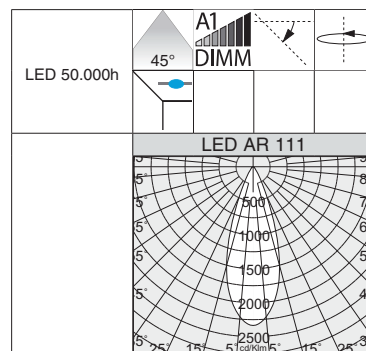
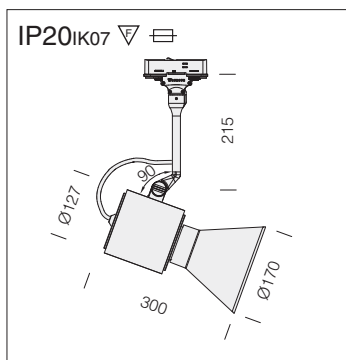


**Reflector:** in oxidized and faceted matt aluminium  
**Diffuser:** protection clear tempered glass.

Vision E+N - wide beam				
		CELL-F		Lamps (Ta=25°C)
wattage/W	colour	weight	code	Kelvin - ølm - Ra
CDM-T Elite 100	white	2,80	22700913-00	3000K - 11000 lm - Ra 90
CDM-T Elite 100	black	2,80	22700933-00	
CDM-T Elite 100	m. silver	2,80	22700973-00	
CDM-T Elite 150	white	2,90	22700816-00	3000K - 15000 lm - Ra 90
CDM-T Elite 150	black	2,90	22700836-00	
CDM-T Elite 150	m. silver	2,90	22700876-00	

**CDM Elite Lamps:** suitable for shopping centres, ideal for enhancing the goods displayed.

- Maintenance cost reduction
- 10% increase in energy efficiency in contrast with traditional lamps
- Excellent colour rendering (Ra 90)
- Improved light levels (twice as powerful)



**Led AR111:** Ideal for shops, museums and galleries.

- Reduction of maintenance costs
- Dimmable 1/10V
- Lifetime 50000h

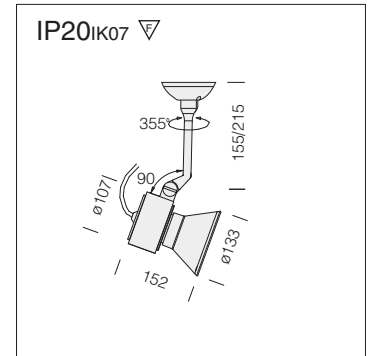
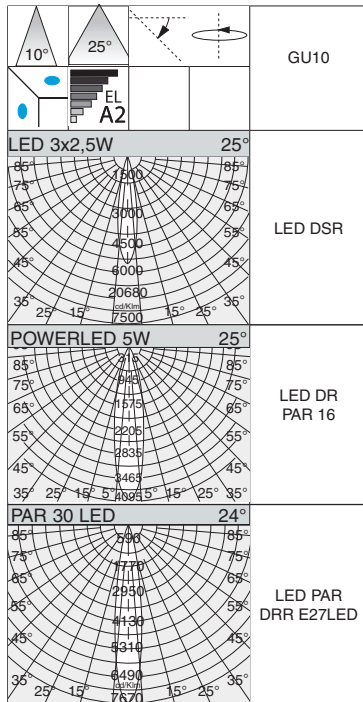


Vision G+N - LED AR DIMM				
		CLD CELLD-F		LED (Ta=25°C)
wattage/W	colour	weight	code	W tot.
LED AR	white	2,60	22701210-00	26
LED AR	black	2,60	22701230-00	
LED AR	m. silver	2,60	22701270-00	
				Kelvin - olm - degrees
				3000K - 1730lm - 45°





LED



Vision A+M - POWER LED - angle 10°					
		CLD CELL		W tot.	LED (Ta=25°C)
wattage/W 500mA	colour	weight	code	6	Kelvin - ølm (500mA) - degrees
LED white 3x1,6W	m. silver	1,20	22800074-00		3000K - 450lm - 10°
LED white 3x1,6W	m. silver	1,20	22800072-00		4000K - 570lm - 10°
LED white 3x1,6W	m. silver	1,20	22800079-00		6000K - 570lm - 10°

IP40IK07



Vision A+M - SHORT version - PAR30 LED					
		CLD CELL		W tot.	LED (Ta=25°C)
wattage/W	colour	weight	code	10	Kelvin - ølm - degrees
LED PAR 30	white	1,10	22800111-00		3000K - 500lm - CRI80 - 24°
LED PAR 30	black	1,10	22800131-00		
LED PAR 30	m. silver	1,10	22800171-00		



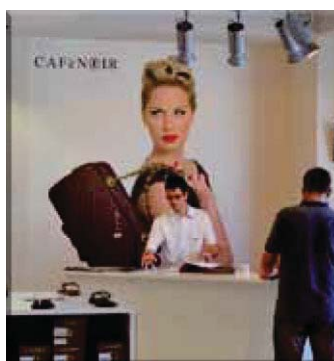
Vision A+M - POWER LED - angle 10°					
		CLD CELL		W tot.	LED (Ta=25°C)
wattage/W	colour	weight	code	2,5	Kelvin - cd - degrees
LED white 1x2,5W	m. silver	1,20	22800078-00		5000K - 120 cd - 10°

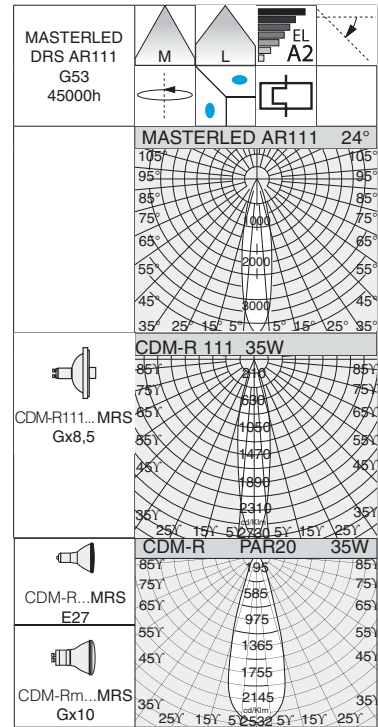
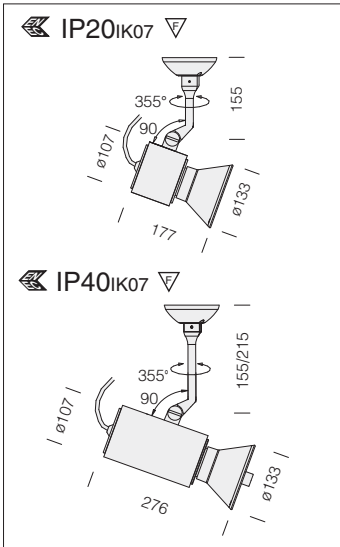


Vision A+M - POWER LED					
		CLD CELL		W tot.	LED (Ta=25°C)
wattage/W	colour	weight	code	2,5	degrees
LED blue 1x2,5W	m. silver	1,20	22800078-71		10°
LED red 1x2,5W	m. silver	1,20	22800078-72		10°
LED yellow 1x2,5W	m. silver	1,20	22800078-73		10°
LED green 1x2,5W	m. silver	1,20	22800078-74		10°



Vision A+M - POWER LED					
		CLD CELL		W tot.	LED (Ta=25°C)
wattage/W 700mA	colour	weight	code	8	Kelvin - ølm (700 mA) - degrees
LED white 3x2,5W	m. silver	1,10	22800070-00		3000K - 540lm - 25°
LED white 3x2,5W	m. silver	1,10	22800071-00		4000K - 645lm - 25°
LED white 3x2,5W	m. silver	1,10	22800076-00		6000K - 645lm - 25°





**Vision B+M - MASTERLED AR111**

		CLD CELL		LED (Ta=25°C)	
wattage/W	colour	weight	code	W tot	Kelvin - ølm - CRI - degrees
MASTERLED AR111-15W	white	1,30	22800219-00	16	3000K - 745lm CRI80 - 24°
MASTERLED AR111-15W	black	1,30	22800279-00		
MASTERLED AR111-15W	m. silver	1,30	22800239-00		

**Vision C+M - short version**

		CELL		Lamps (Ta=25°C)	
wattage/W	colour	weight	code	Kelvin - ølm - Ra - degrees	
CDM-R111 35	white	1,90	22800514-00	3000K - 1350lm - Ra81 - 24°	
CDM-R111 35	black	1,90	22800534-00		
CDM-R111 35	m. silver	1,90	22800574-00		
CDM-R111 70	white	1,90	22800518-00	3000K - 2850lm - Ra84 - 42°	
CDM-R111 70	black	1,90	22800538-00		
CDM-R111 70	m. silver	1,90	22800578-00		

**Vision C+M - long version**

		CELL		Lamps (Ta=25°C)	
wattage/W	colour	weight	code	Kelvin - ølm - Ra - degrees	
CDM-R111 35	white	2,00	22800511-00	3000K - 1350lm - Ra81 - 24°	
CDM-R111 35	black	2,00	22800531-00		
CDM-R111 35	m. silver	2,00	22800571-00		
CDM-R111 70	white	2,00	22800512-00	3000K - 2850lm - Ra84 - 42°	
CDM-R111 70	black	2,00	22800532-00		
CDM-R111 70	m. silver	2,00	22800572-00		

**Vision C+M**

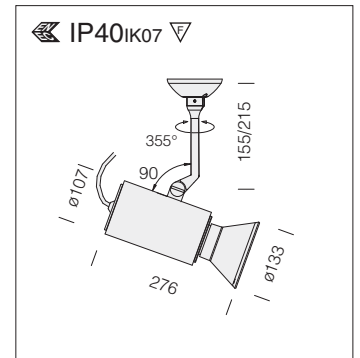
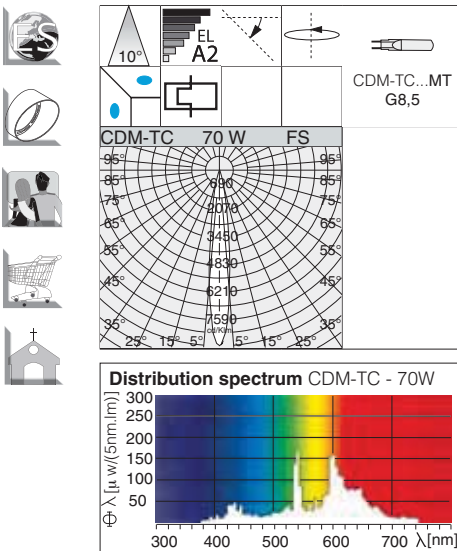
		CELL		Lamps (Ta=25°C)	
wattage/W	colour	weight	code	Kelvin - ølm - Ra - degrees	
CDM-R-PAR 20 35	white	2,00	22800617-00	3000K - 1950lm - Ra81 - 30°	
CDM-R-PAR 20 35	black	2,00	22800637-00		
CDM-R-PAR 20 35	m. silver	2,00	22800677-00		

**Vision C+M**

		CELL		Lamps (Ta=25°C)	
wattage/W	colour	weight	code	Kelvin - cd - Ra - degrees	
CDM-Rm Elite 35	white	1,50	22800216-00	3000K - 8000cd - Ra90 - 25°	
CDM-Rm Elite 35	black	1,50	22800236-00		
CDM-Rm Elite 35	m. silver	1,50	22800276-00		
CDM-Rm Elite 50	white	1,50	22800211-00	3000K - 5100cd - Ra90 - 40°	
CDM-Rm Elite 50	black	1,50	22800231-00		
CDM-Rm Elite 50	m. silver	1,50	22800271-00		

CDM-Rm Elite mini 50: On request beam angle 60°.



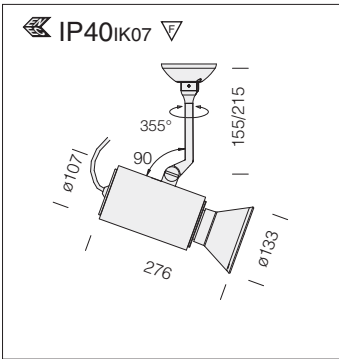


**Reflector:** in oxidized and faceted aluminium.

**Diffuser:** protection clear tempered glass.

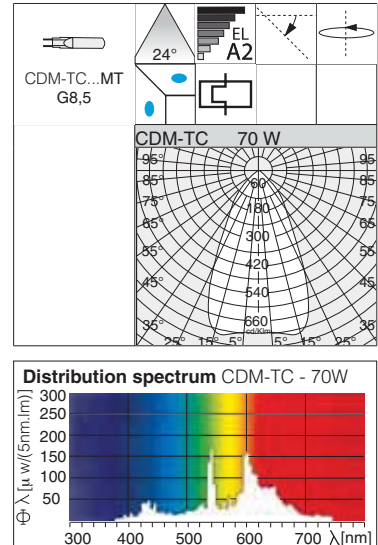
**Vision C+M - FS**

		CELL long version		CELL short version		Lamps (Ta=25°C)
wattage/W	colour	weight	code	weight	code	Kelvin - ølm - Ra - degrees
CDM-TC Elite 35	white	1,90	22800613-00	1,90	22800616-00	3000K - 3900 lm - Ra 90 - 10°
CDM-TC Elite 35	black	1,90	22800633-00	1,90	22800636-00	
CDM-TC Elite 35	m. silver	1,90	22800673-00	1,90	22800676-00	
CDM-TC Elite 50	white	1,90	22800411-00	1,90	22800413-00	3000K - 5500 lm - Ra 90 - 10°
CDM-TC Elite 50	black	1,90	22800431-00	1,90	22800433-00	
CDM-TC Elite 50	m. silver	1,90	22800471-00	1,90	22800473-00	
CDM-TC Elite 70	white	1,90	22800619-00	1,90	22800618-00	3000K - 7800 lm - Ra 90 - 10°
CDM-TC Elite 70	black	1,90	22800639-00	1,90	22800638-00	
CDM-TC Elite 70	m. silver	1,90	22800679-00	1,90	22800678-00	



**Reflector:** in oxidized aluminium with semi-spherical facets.

**Diffuser:** protection clear tempered glass.

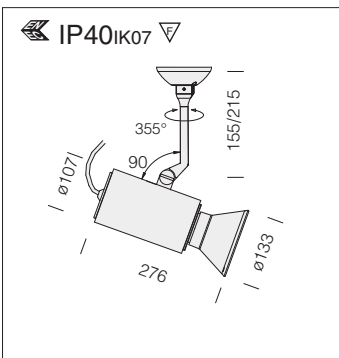


**CDM Elite Lamps:** suitable for shopping centres, ideal for enhancing the goods displayed.

- Maintenance cost reduction
- 10% increase in energy efficiency in contrast with traditional lamps
- Excellent colour rendering (Ra 90)
- Improved light levels (twice as powerful)

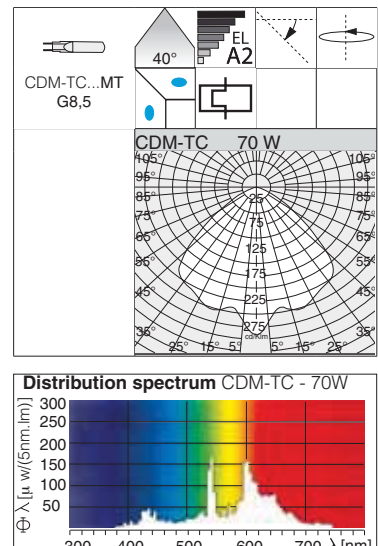
**CDM-TC Elite 50W:** 25% longer lifespan, 30% energy saving and lower power consumption compared to Elite 70W.

Vision C+M - FM						
		CELL long version		CELL short version		Lamps (Ta=25°C)
wattage/W	colour	weight	code	weight	code	Kelvin - ølm - Ra - degrees
CDM-TC Elite 35	white	1,90	22800513-00	1,90	22800516-00	3000K - 3900 lm Ra 90 - 24°
CDM-TC Elite 35	black	1,90	22800533-00	1,90	22800536-00	
CDM-TC Elite 35	m. silver	1,90	22800573-00	1,90	22800576-00	
CDM-TC Elite 50	white	1,90	22800412-00	1,90	22800414-00	3000 K - 5500 lm Ra 90 - 24°
CDM-TC Elite 50	black	1,90	22800432-00	1,90	22800434-00	
CDM-TC Elite 50	m. silver	1,90	22800472-00	1,90	22800474-00	3000K - 7800 lm Ra 90 - 24°
CDM-TC Elite 70	white	1,90	22800515-00	1,90	22800517-00	
CDM-TC Elite 70	black	1,90	22800535-00	1,90	22800537-00	
CDM-TC Elite 70	m. silver	1,90	22800575-00	1,90	22800577-00	



**Reflector:** in oxidized and faceted matt aluminium.

**Diffuser:** protection clear tempered glass.

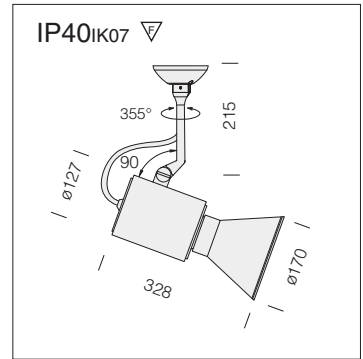
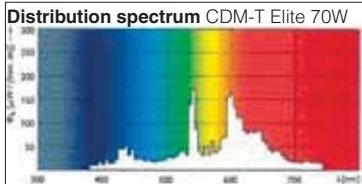
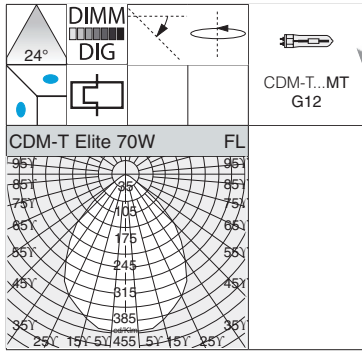


**CDM Elite Lamps:** suitable for shopping centres, ideal for enhancing the goods displayed.

- Maintenance cost reduction
- 10% increase in energy efficiency in contrast with traditional lamps
- Excellent colour rendering (Ra 90)
- Improved light levels (twice as powerful)

**CDM-TC Elite 50W:** 25% longer lifespan, 30% energy saving and lower power consumption compared to Elite 70W.

Vision C+M - FL						
		CELL long version		CELL short version		Lamps (Ta=25°C)
wattage/W	colour	weight	code	weight	code	Kelvin - ølm - Ra - degrees
CDM-TC Elite 35	white	1,90	22800611-00	1,90	22800615-00	3000K - 3900 lm Ra 90 - 40°
CDM-TC Elite 35	black	1,90	22800631-00	1,90	22800635-00	
CDM-TC Elite 35	m. silver	1,90	22800671-00	1,90	22800675-00	
CDM-TC Elite 50	white	1,90	22800416-00	1,90	22800417-00	3000 K - 5500 lm Ra 90 - 40°
CDM-TC Elite 50	black	1,90	22800436-00	1,90	22800437-00	
CDM-TC Elite 50	m. silver	1,90	22800476-00	1,90	22800477-00	3000K - 7800 lm Ra 90 - 40°
CDM-TC Elite 70	white	1,90	22800612-00	1,90	22800614-00	
CDM-TC Elite 70	black	1,90	22800632-00	1,90	22800634-00	
CDM-TC Elite 70	m. silver	1,90	22800672-00	1,90	22800674-00	

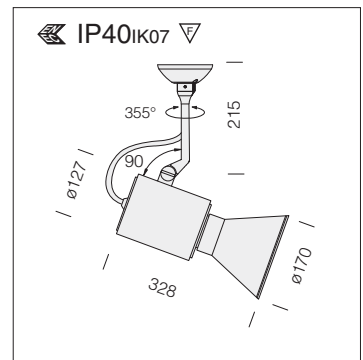
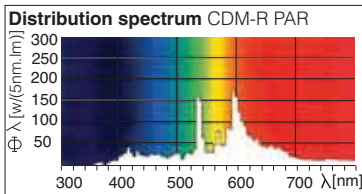
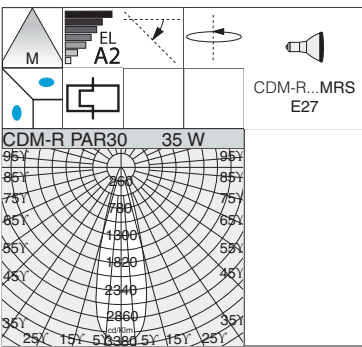


**CDM Elite Lamps:** suitable for shopping centres, ideal for enhancing the goods displayed.

- Maintenance cost reduction
- 10% increase in energy efficiency in contrast with traditional lamps
- Excellent colour rendering (Ra 90)
- Improved light levels (twice as powerful)

ELITE LIGHT BOOST	Power 100%	Power 50%
Lumen	7800	3500
Lm/W	106	93
Dimm speed	100% → 65% 1 sec.	65% → 50% 60 sec.
Boost speed	50% → 100% 1 sec.	

Vision D+N - CDM-T ELITE LIGHT BOOST DIMM DALI				
		CLD CELLD-DIG		LED (Ta=25°C)
wattage/W	colour	weight	code	Kelvin - ølm - Ra
CDM-T Elite 70 DIMM	white	2,60	22800914-00	3000 K - 7800 lm - Ra 90
CDM-T Elite 70 DIMM	black	2,60	22800934-00	
CDM-T Elite 70 DIMM	m. silver	2,60	22800974-00	

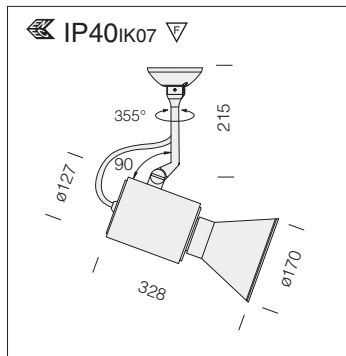


CDM-R lamps are designed for decorative illumination and expositions. The energy consumption and heat production are reduced by at least 66%. Lamps life is up to 4 times more than using a halogen lamp (11000h average life).



Vision D+N				
		CELL		Lamps (Ta=25°C)
wattage/W	colour	weight	code	Kelvin - ølm - Ra
CDM-R-PAR30 35	white	2,60	22800910-00	3000K - 2200 lm - Ra 81
CDM-R-PAR30 35	black	2,60	22800930-00	
CDM-R-PAR30 35	m. silver	2,60	22800970-00	
CDM-R-PAR30 70	white	2,60	22800911-00	3000K - 4850 lm - Ra 83
CDM-R-PAR30 70	black	2,60	22800931-00	
CDM-R-PAR30 70	m. silver	2,60	22800971-00	



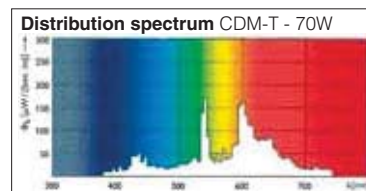
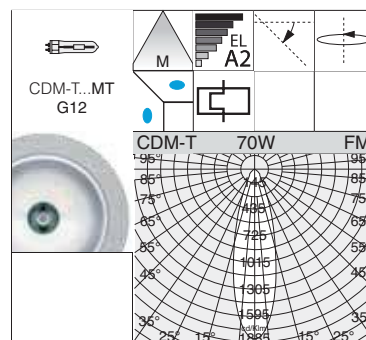


**Reflector:** in oxidized aluminium with semi-spherical facets.

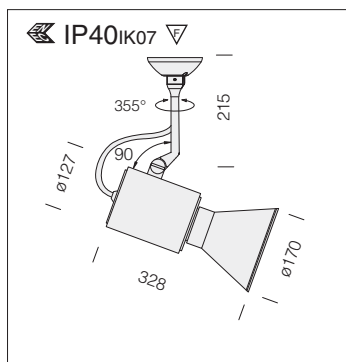
**Diffuser:** protection clear tempered glass.

**CDM Elite Lamps:** suitable for shopping centres, ideal for enhancing the goods displayed.

- Maintenance cost reduction
- 10% increase in energy efficiency in contrast with traditional lamps
- Excellent colour rendering (Ra 90)
- Improved light levels (twice as powerful)

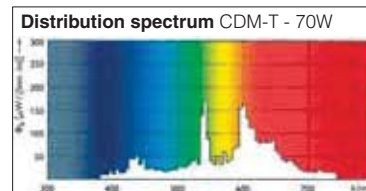
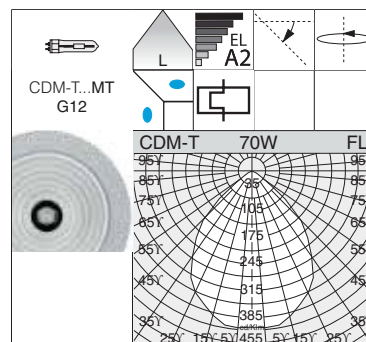


Vision D+N - medium beam				
		CELL		Lamps (Ta=25°C)
wattage/W	colour	weight	code	Kelvin - ølm - Ra
CDM-T Elite 70	white	2,60	22800714-00	3000K - 7800 lm - Ra 90
CDM-T Elite 70	black	2,60	22800734-00	
CDM-T Elite 70	m. silver	2,60	22800774-00	



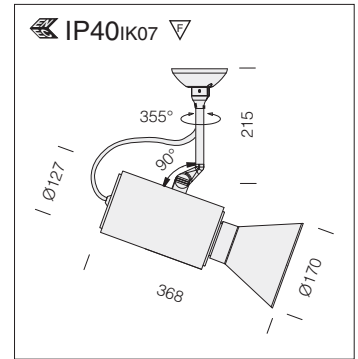
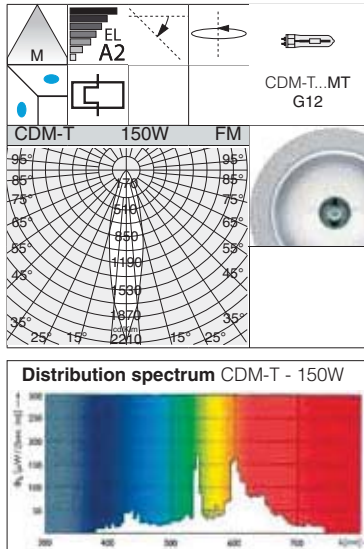
**Reflector:** in oxidized and faceted matt aluminium

**Diffuser:** protection clear tempered glass.



Vision D+N - wide beam				
		CELL		Lamps (Ta=25°C)
wattage/W	colour	weight	code	Kelvin - ølm - Ra
CDM-T Elite 70	white	2,60	22800716-00	3000K - 7800 lm - Ra 90
CDM-T Elite 70	black	2,60	22800736-00	
CDM-T Elite 70	m. silver	2,60	22800776-00	



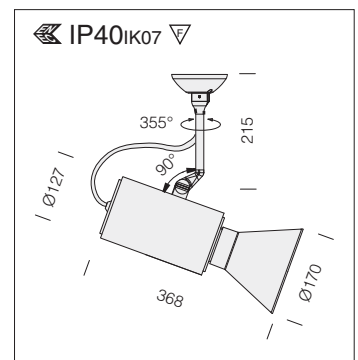
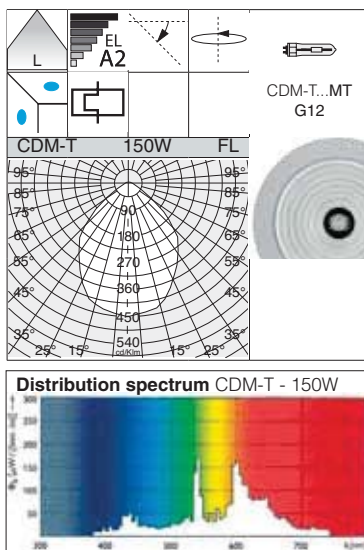


**Reflector:** in oxidized aluminium with semi-spherical facets.  
**Diffuser:** protection clear tempered glass.

Vision E+N - medium beam				
		CELL		Lamps (Ta=25°C)
wattage/W	colour	weight	code	Kelvin - ølm - Ra
CDM-T Elite 100	white	2,90	22800912-00	3000K - 11000 lm - Ra 90
CDM-T Elite 100	black	2,90	22800932-00	
CDM-T Elite 100	m. silver	2,90	22800972-00	
CDM-T Elite 150	white	3,00	22800813-00	3000K - 15000 lm - Ra 90
CDM-T Elite 150	black	3,00	22800833-00	
CDM-T Elite 150	m. silver	3,00	22800873-00	

**CDM Elite Lamps:** suitable for shopping centres, ideal for enhancing the goods displayed.

- Maintenance cost reduction
- 10% increase in energy efficiency in contrast with traditional lamps
- Excellent colour rendering (Ra 90)
- Improved light levels (twice as powerful)

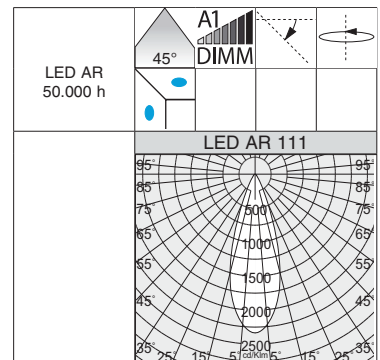
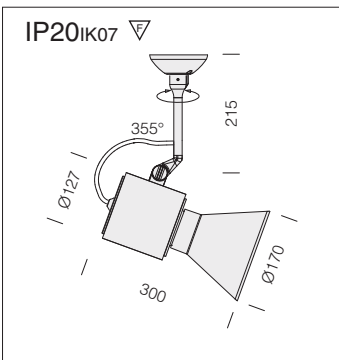


**Reflector:** in oxidized and faceted matt aluminium  
**Diffuser:** protection clear tempered glass.

Vision E+N - wide beam				
		CELL		Lamps (Ta=25°C)
wattage/W	colour	weight	code	Kelvin - ølm - Ra
CDM-T Elite 100	white	2,90	22800913-00	3000K - 11000 lm - Ra 90
CDM-T Elite 100	black	2,90	22800933-00	
CDM-T Elite 100	m. silver	2,90	22800973-00	
CDM-T Elite 150	white	3,00	22800816-00	3000K - 15000 lm - Ra 90
CDM-T Elite 150	black	3,00	22800836-00	
CDM-T Elite 150	m. silver	3,00	22800876-00	

**CDM Elite Lamps:** suitable for shopping centres, ideal for enhancing the goods displayed.

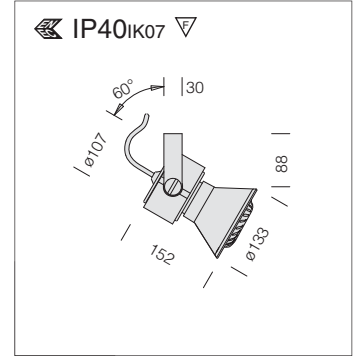
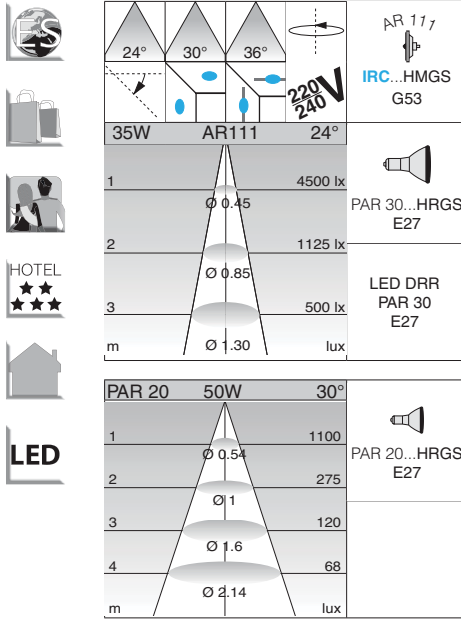
- Maintenance cost reduction
- 10% increase in energy efficiency in contrast with traditional lamps
- Excellent colour rendering (Ra 90)
- Improved light levels (twice as powerful)



**Led AR111:** Ideal for shops, museums and galleries.  
 - Reduction of maintenance costs  
 - Dimmable 1/10V  
 - Lifetime 50000h



Vision D+N - LED AR					
		CLD CELL-D		LED (Ta=25°C)	
wattage/W	colour	weight	code	W tot.	Kelvin - ølm - degrees
LED AR	white	2,60	22801210-00	26	3000K - 1730lm - 45°
LED AR	black	2,60	22801230-00		
LED AR	m. silver	2,60	22801270-00		



**Vision A+M - LED PAR 30**

		CLD CELL		LED (Ta=25°C)	
wattage/W	colour	weight	code	W tot	Kelvin - lm - CRI - degrees
<b>LED PAR 30</b>	m. silver	1,00	22702071-00	<b>10</b>	3000K - 500lm - CRI80 - 36°



**Vision A+M**

		CNL		Lamps (Ta=25°C)	
wattage/W	colour	weight	code	Kelvin - h - cd - degrees	
<b>PAR20 50</b>	m. silver	1,00	22702073-00	3000K - 2000h - 1000cd - 30°	
<b>PAR30 75</b>	m. silver	1,00	22702075-00	3000K - 2000h - 2200 cd - 30°	



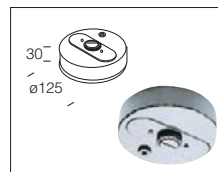
**Vision B+M**

		CTL		Lamps (Ta=25°C)	
wattage/W	colour	weight	code	Kelvin - h - cd - degrees	
<b>AR111-IRC 35</b>	m. silver	1,20	22702274-00	3000K - 4200h - 4500cd - 24°	

Supplied with transformer and IRC lamp = "ES" Energy saver To be used with acc. 22091470-00 for the base or+ acc. 22093371-00 for powered track installation.

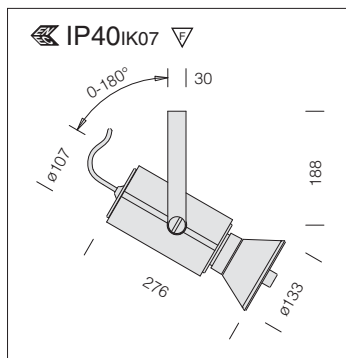


Mechanical + electrical adapter	
grey	22093371-00
max 5 Kg.	

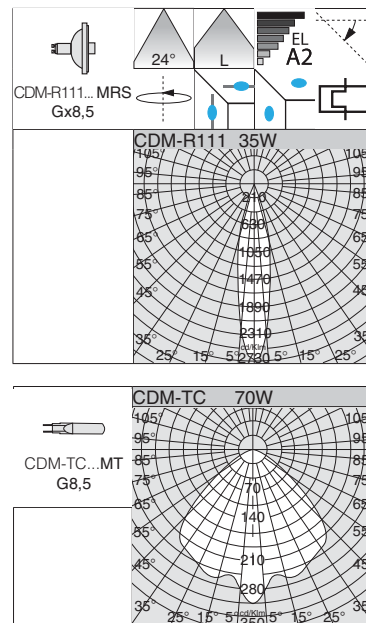


Base	
m. silver	22091470-00
The base is to be applied upon the wall or the ceiling.	



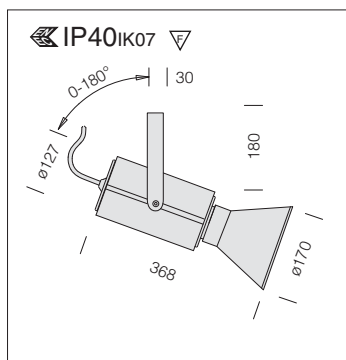


Supplied with electronic gear and CDM-R111 lamp. To be used with acc. 22091470-00 for the base or+ acc. 22093371-00 for powered track installation.

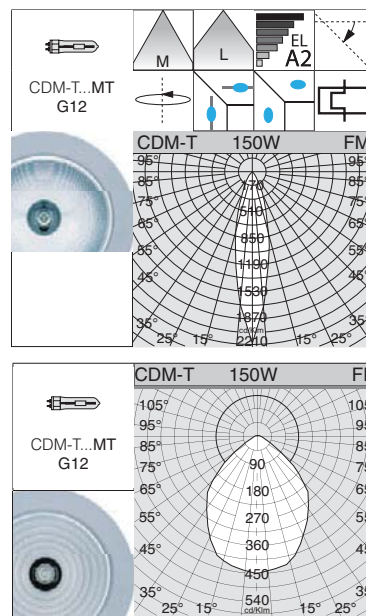


Vision C+M				
		CELL		Lamps (Ta=25°C)
wattage/W	colour	weight	code	Kelvin - ølm - Ra - degrees
CDM-R111 35	m. silver	2,00	22702571-00	3000K - 1350lm - Ra 81 - 24°
CDM-R111 70	m. silver	2,00	22702573-00	3000K - 2850lm - Ra 84 - 42°

Vision C+M				
		CELL		Lamps (Ta=25°C)
wattage/W	colour	weight	code	Kelvin - ølm - Ra - degrees
CDM-TC Elite 70	m. silver	2,00	22702575-00	3000K - 7800 lm - Ra 90 - 38°



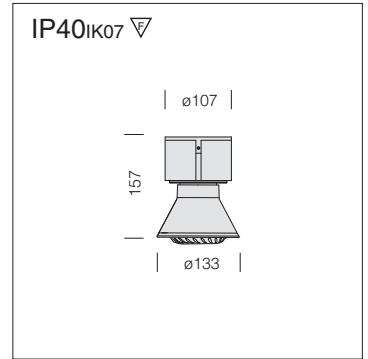
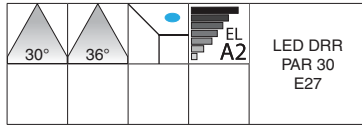
Supplied with electronic gear and CDM-R111 lamp. To be used with acc. 22091470-00 for the base or+ acc. 22093371-00 for powered track installation.



Vision E+N - medium beam				
		CELL		Lamps (Ta=25°C)
wattage/W	colour	weight	code	Kelvin - ølm - Ra
CDM-T Elite 150	m. silver	2,80	22701378-00	3000K - 15000 lm - Ra 90
CDM-T Elite 150	black	2,80	22701338-00	
CDM-T Elite 150	white	2,80	22701318-00	
CDM-T 150	m. silver	3,20	22701379-00	3000K - 14000 lm - Ra 85
CDM-T 150	black	3,20	22701339-00	
CDM-T 150	white	3,20	22701319-00	

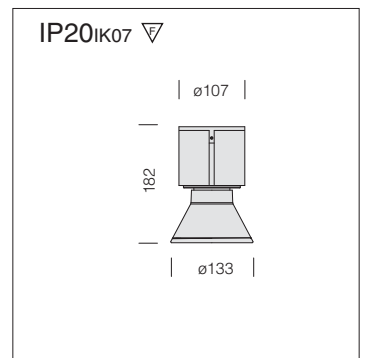
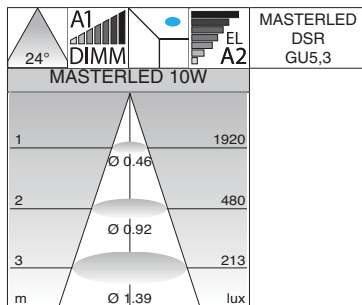
Vision E+N - large beam				
		CELL		Lamps (Ta=25°C)
wattage/W	colour	weight	code	Kelvin - ølm - Ra
CDM-T Elite 150	white	2,60	22701418-00	3000K - 15000 lm - Ra 90
CDM-T Elite 150	black	2,60	22701438-00	
CDM-T Elite 150	m. silver	2,60	22701478-00	





Supplied with LED PAR 30 lamp. Mains voltage operation.

Vision A+M - LED PAR 30					
wattage/W	colour	CLD CELL		W tot	LED (Ta=25°C)
		weight	code		Kelvin - lm - CRI - degrees
LED PAR30	white	0,80	22701511-00	10	3000K - 500lm - CRI80 - 36°
LED PAR30	black	0,80	22701531-00		
LED PAR30	m. silver	0,80	22701571-00		

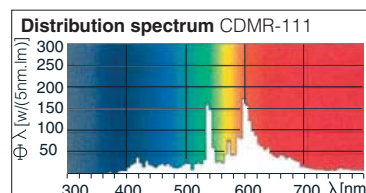
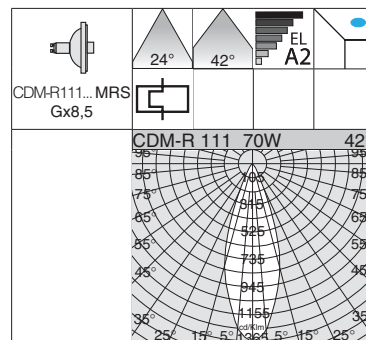
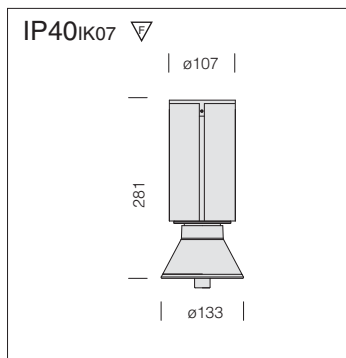


**MASTERLED:** particularly suited for public spaces such as reception halls, entrance lobbies, corridors, stairways and baVthrooms where lights stay on all day, **40,000** hours of lifespan, and 80% energy saving compared to ALO 35W.

Vision B+M					
wattage/W	colour	CLD CLD CELL-D		W tot	LED (Ta=25°C)
		weight	code		Kelvin - lm - CRI - degrees
MASTERLED 10W	white	0,90	22701610-00	11	3000K - 410lm - CRI80 - 24°
MASTERLED 10W	black	0,90	22701630-00		
MASTERLED 10W	m. silver	0,90	22701670-00		

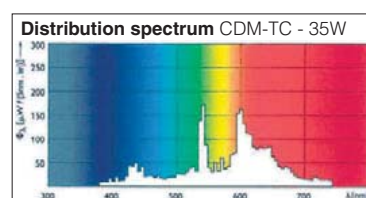
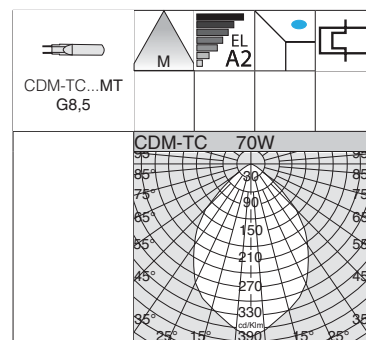
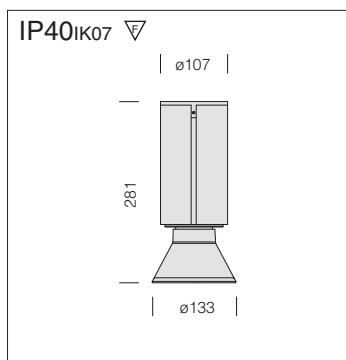


Vision B+M - POWER LED 60°					
wattage/W 500mA	colour	CLD CELL		W tot.	LED (Ta=25°C)
		weight	code		Kelvin - lm (500mA) - degrees
LED white 3x1,6W	white	0,80	22702611-00	6	3000K - 450 lm - 60°
LED white 3x1,6W	black	0,80	22702631-00		
LED white 3x1,6W	m. silver	0,80	22702671-00		
LED white 3x1,6W	white	0,80	22702610-00	6	4000K - 570 lm - 60°
LED white 3x1,6W	black	0,80	22702630-00		
LED white 3x1,6W	m. silver	0,80	22702670-00		



CDM-R lamps are designed for decorative illumination and expositions. The energy consumption and heat production are reduced by at least 66%. Lamps life is up to 4 times more than using a halogen lamp (11000h average life).

Vision C+M				
		CELL		Lamps (Ta=25°C)
wattage/W	colour	weight	code	Kelvin - l/m - Ra - degrees
CDM-R111 70	white	1,70	22701716-00	3000K - 2850lm - Ra 84 - 42°
CDM-R111 70	black	1,70	22701736-00	
CDM-R111 70	m. silver	1,70	22701776-00	

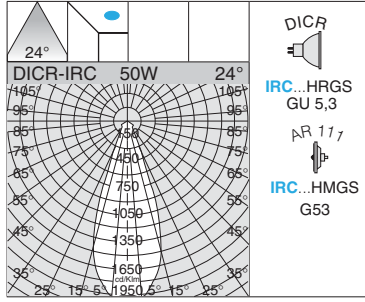


**Reflector:** according to the beam angle.

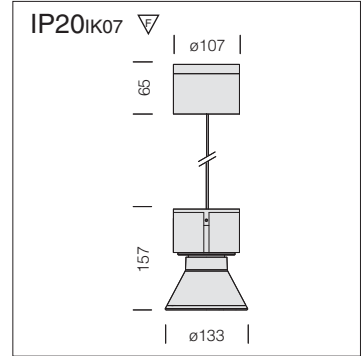
**Diffuser:** protection clear tempered glass

**CDM Elite Lamps:** suitable for shopping centres, ideal for enhancing the goods displayed.  
 - Maintenance cost reduction  
 - 10% increase in energy efficiency in contrast with traditional lamps  
 - Excellent color rendering (Ra 90)  
 - Improved light levels (twice as powerful)  
**CDM-TC Elite 50W: 25% longer lifespan, 30% energy saving and lower power consumption compared to Elite 70W.**

Vision C+M				
		CELL		Lamps (Ta=25°C)
wattage/W	colour	weight	code	Kelvin - l/m - Ra - degrees
CDM-TC Elite 50	white	1,60	22701711-00	3000K - 5500 lm - Ra 90 - 24°
CDM-TC Elite 50	black	1,60	22701731-00	
CDM-TC Elite 50	m. silver	1,60	22701771-00	
CDM-TC Elite 70	white	1,60	22701715-00	3000K - 7800 lm - Ra 90 - 40°
CDM-TC Elite 70	black	1,60	22701735-00	
CDM-TC Elite 70	m. silver	1,60	22701775-00	

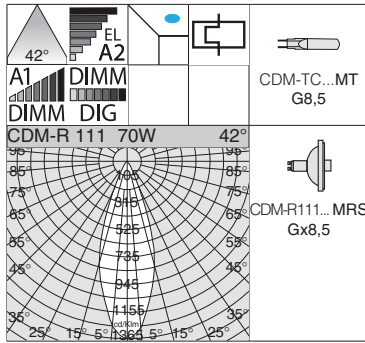


DICR  
 IRC...HRGS  
 GU 5,3  
 AR 11,7  
 IRC...HMGS  
 G53

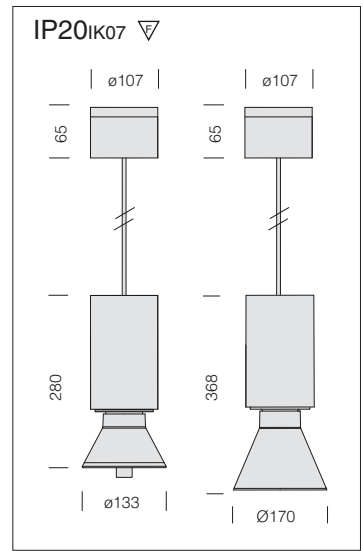
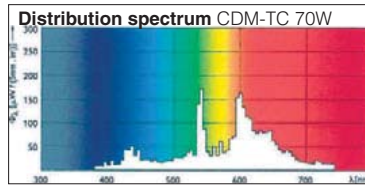


Supplied with transformer and IRC lamp = energy saving.  
 Cable length 5m.

Vision A+M - with cable				
		CTL		Lamps (Ta=25°C)
wattage/W	colour	weight	code	Kelvin - h - cd - degrees
DICR-IRC 50	white	1,40	22701810-00	3000K - 5000h - 5300cd - 24°
DICR-IRC 50	black	1,40	22701830-00	
DICR-IRC 50	m. silver	1,40	22701870-00	



CDM-TC...MT  
 G8,5  
 CDM-R111...MRS  
 Gx8,5



**CDM Elite Lamps:** suitable for shopping centres, ideal for enhancing the goods displayed.

- Maintenance cost reduction
- 10% increase in energy efficiency in contrast with traditional lamps
- Excellent colour rendering (Ra 90)
- Improved light levels (twice as powerful)

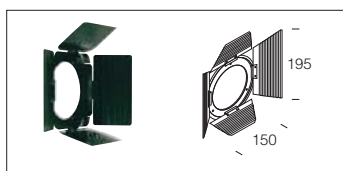
ELITE LIGHT BOOST	Power 100%	Power 50%
Lumen	7800	3500
Lm/W	106	93
Dimm speed	100% → 65% 1 sec.	65% → 50% 60 sec.
Boost speed	50% → 100% 1 sec.	

Vision C+M - with cable				
		CELL		Lamps (Ta=25°C)
wattage/W	colour	weight	code	Kelvin - lm - Ra
CDM-TC Elite 70 (1)	m. silver	2,10	22701871-00	3000K - 7800 lm - Ra 90
CDM-R111 70 (2)	m. silver	2,20	22701873-00	3000K - 2850lm - Ra 84
		CLD CELLD-DIG		
CDM-T Elite 70 DIMM	m. silver	2,10	22701874-00	3000 K - 7800 lm - Ra 90

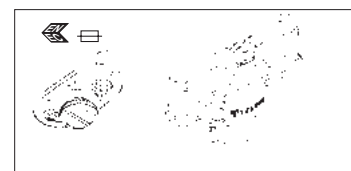




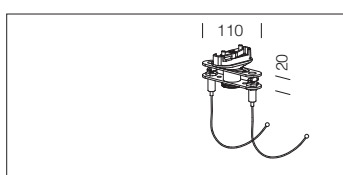
Anti-glare shutter	
black	22005865-00
For G+N, D+N, E+N version.	



Mechanical + electrical adapter	
grey	22093371-00
max 5 Kg.	



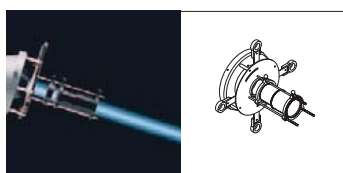
Susp. attachment for powered tracks	
silver	22091475-00
white	22091415-00
For G+N, D+N, E+N version.	



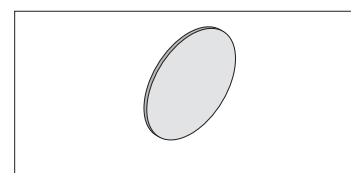
Adapter for suspension	
white	22091414-00
grey	22091471-00
black	22091431-00
Universal adapter. To be used for the ceiling version of powered tracks.	



Shaper with big lens	
black	22005863-00
For D+N, E+N versions with a bracket.	



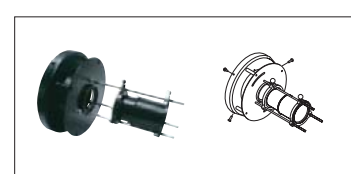
Filter for version M	
fruits	22005650-00
fishmonger	22005651-00
butcher	22005652-00
bakery	22005653-00
cheese	22005654-00
fabrics	22005655-00



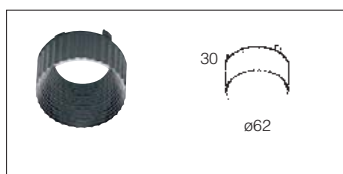
Conveyor	
black	22005861-00
For B+M, A+M, C+M version.	



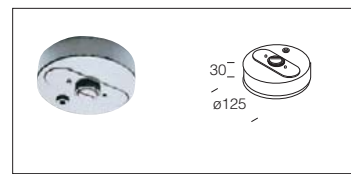
Shaper with small lens	
black	22005862-00
For D+N, E+N version.	



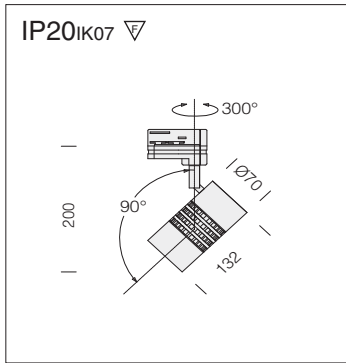
Conveyor	
black	22005892-00
For the lamps with DICR version only.	



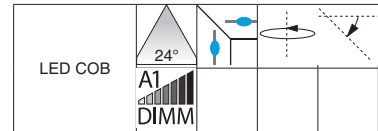
Base	
m. silver	22091470-00
The base is to be applied upon the wall or the ceiling.	



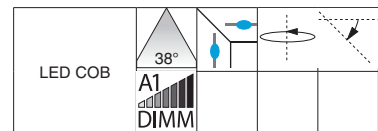
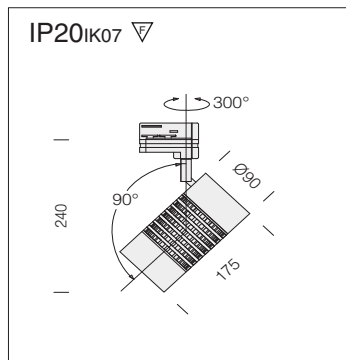




**Housing:** in die-cast aluminium.  
**Reflector:** in die-cast aluminium with anodised heat sink.  
**LED:** high-efficiency light sources.  
**Upon request:** 4000K



Black Spot 1					
		CLD CELL-F		LED (Ta=25°C)	
wattage/W	colour	weight	code	W tot.	Kelvin - olm - CRI - degrees
LED	black	1,80	22040630-00	14,5	3000K - 1100lm - CRI80 - 24°



Black Spot 2					
		CLD CELL-F		LED (Ta=25°C)	
wattage/W	colour	weight	code	W tot.	Kelvin - olm - CRI - degrees
LED	black	1,80	22040730-00	34,5	3000K - 2800lm - CRI80 - 38°





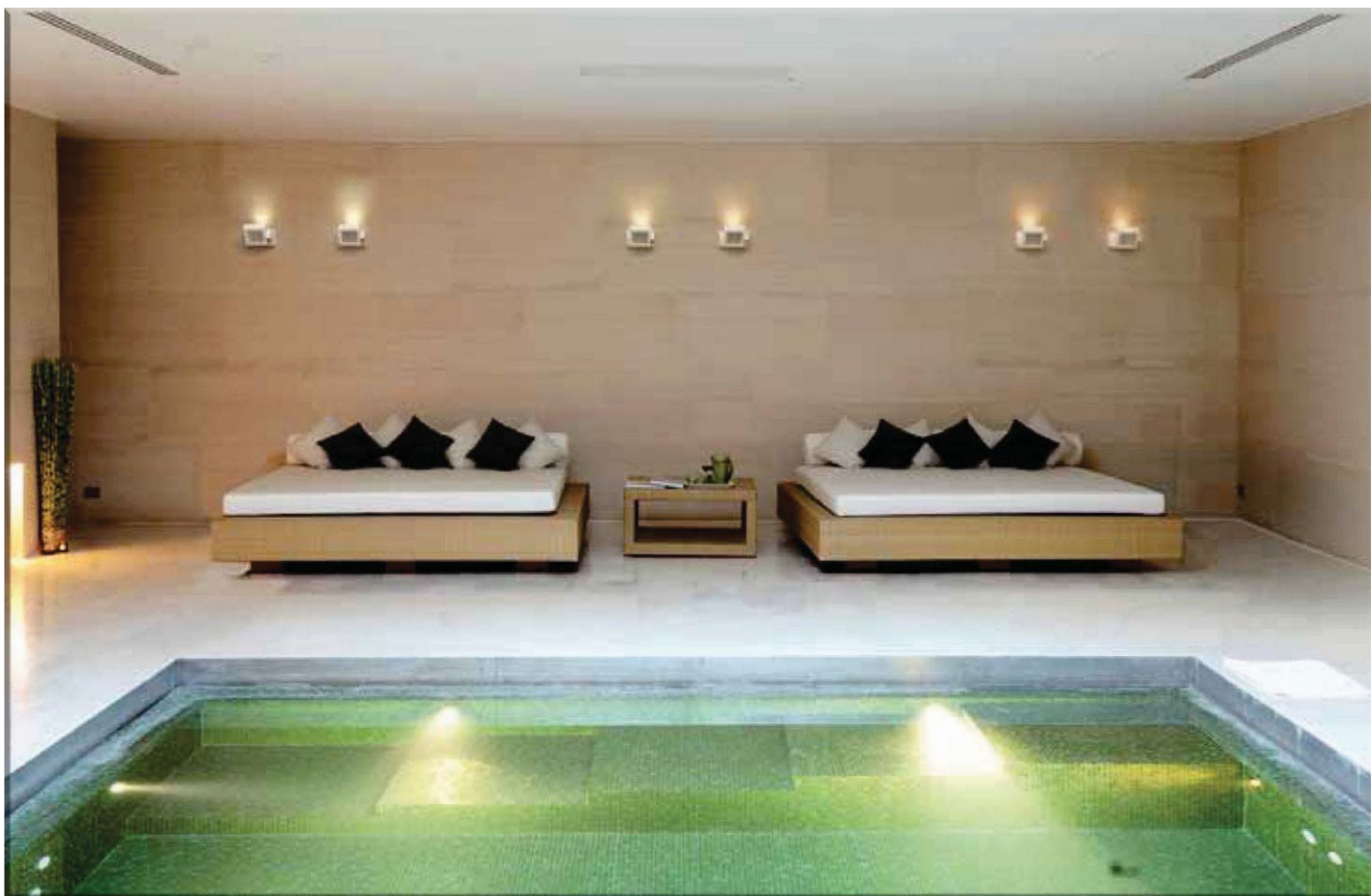
INTERIOR FLOODLIGHTS

**Housing:** in die-cast aluminium.

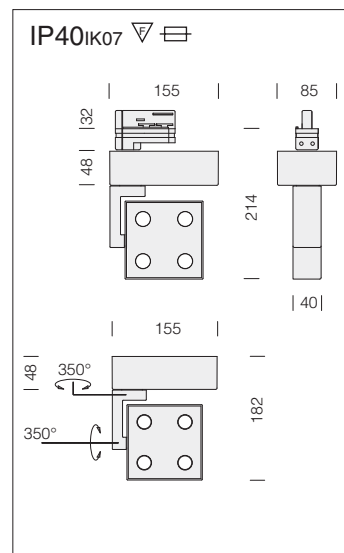
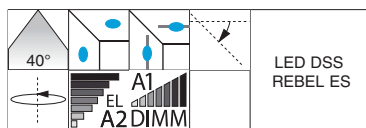
**Reflector:** in die-cast aluminium with anodised heat sink. Front in black, white or transparent polycarbonate material.

**LED:** high-efficiency light sources.  
Equipment: complete with electronic power supply unit separated from the LEDs. Possibility to select the drive current (350, 500, 700mA) using a switch inside the driver.

**Upon request:** 20° or 60° beam angle.

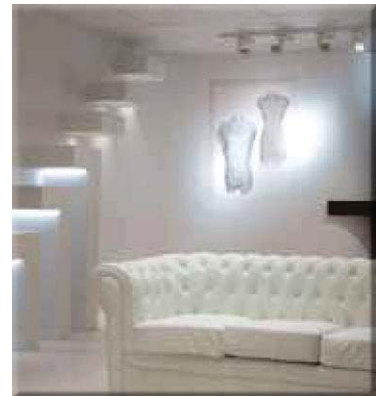
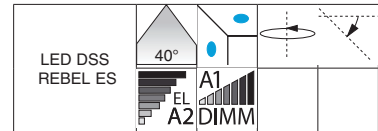
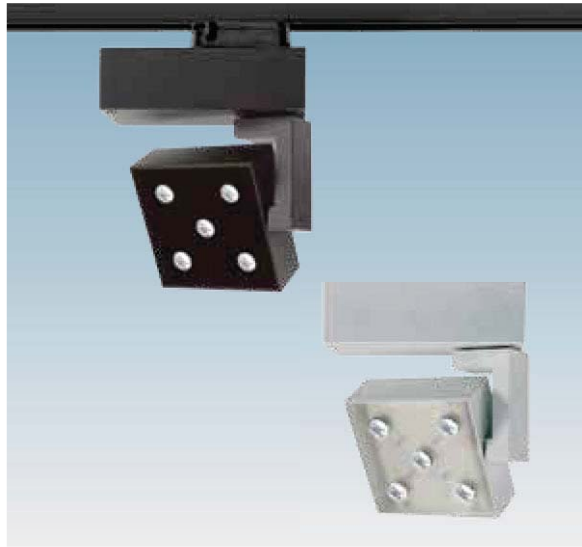
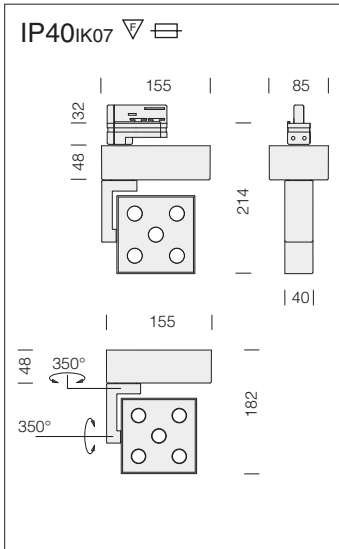


- 
- 
- 
- 
- 
- LED**



**Matrix 4 Spot**

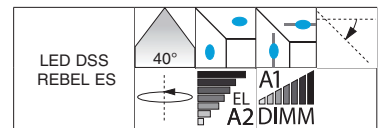
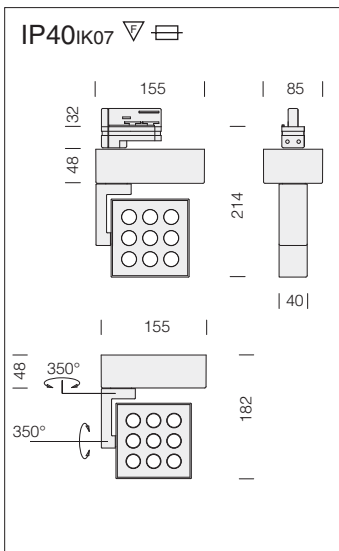
		CLD CELL Omnitrack		CLD CELL-D Base		CLD CELL-D Omnitrack	LED (Ta=25°C)	
wattage/W 1A	colour	weight	code	weight	code	code	W tot.	Kelvin - ølm (1A) - CRI
LED 4x3W	white	1,80	22101414-00	1,80	22201414-00	22101414-12	14	4000K - 1240lm - CRI80
LED 4x3W	m. silver	1,80	22101474-00	1,80	22201474-00	22101474-12		
LED 4x3W	black	1,80	22101434-00	1,80	22201434-00	22101434-12		



LED

**Matrix 5 Spot**

wattage/W (1A)	colour	CLD CELL for Omnitrack		CLD CELL-D Base		W tot.	LED (Ta=25°C) Kelvin - ølm (1A) - CRI
		weight	code	weight	code		
LED 5x3W	white	1,80	22101416-00	1,80	22201416-00	17	4000K - 1550lm - CRI80
LED 5x3W	black	1,80	22101436-00	1,80	22201436-00		
LED 5x3W	m. silver	1,80	22101476-00	1,80	22201476-00		



HOTEL  
★★★

LED

**Matrix 9 Spot**

wattage/W 1A	colour	CLD CELL for Omnitrack		CLD CELL-D Base		W tot.	LED (Ta=25°C) Kelvin - ølm (1A) - CRI
		weight	code	weight	code		
LED 9x3W	white	1,80	22101410-00	1,80	22201410-00	30	4000K - 2900lm - CRI80
LED 9x3W	black	1,80	22101430-00	1,80	22201430-00		
LED 9x3W	m. silver	1,80	22101470-00	1,80	22201470-00		







Today, interior light must be applied in an effective way for display lighting projects and exhibitions. For this purpose Matrix was born, an elegant floodlight for numerous applications. A touch of excellence with high quality.

Matrix is a perfect device for a better LED Technique structuring, using colour to create bright sceneries, particular effects and to find out all the possibilities offered by the light today.

Objective: to excite with light. The goal is achievable with the help of Matrix and its accessories, studied in order to reach all the desired effects. The help for the creation permits to achieve great results with the simplicity of efficiency.

Matrix is available in a wide range of models, applicable to a wall or a suspension, but also to a powered track or a base. There is a wide variety for a designer to find better lighting solution.





**Housing:** In die-cast aluminium with central shaft to carry cables.

**Reflector:** Polished anodised aluminium.

**Diffuser:** Tempered glass.

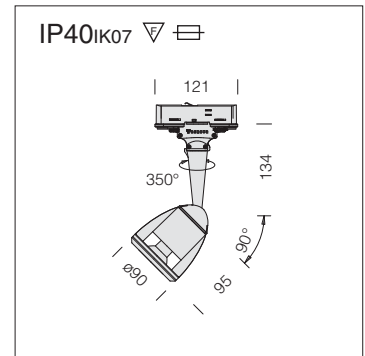
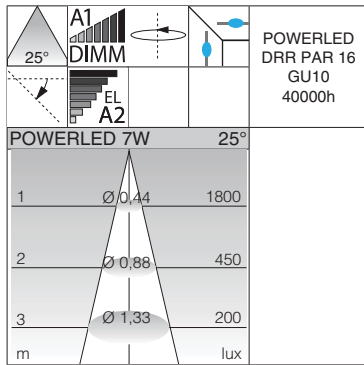
**Coating:** with a UV-stabilised powder acrylic-resin paint.

**Equipment:** Supplied with an aiming bar.

**Regulations:** Manufactured in accordance with EN 60598-1-CEI 34.21 standards. Degrees of protection in accordance with EN60529 standards.



LED



**Matrix A3 - POWER LED 7W DIMM**

		CLD CELL-F-D			LED (Ta=25°C)	
wattage/W	colour	weight	code	W tot	Kelvin - ølm - degrees - CRI	
<b>POWER LED 7W</b>	m. silver	0,70	22100275-00	<b>7</b>	3000K - 450lm - CRI80 - 25°	



**Matrix A3 - POWER LED**

		CLD CELL-F			LED (Ta=25°C)	
wattage/W	colour	weight	code	W tot.	Kelvin - cd - degrees	
<b>LED white 1x2,5W</b>	m. silver	0,70	22100274-00	<b>2,5</b>	5000K - 120cd - 10°	
<b>LED blue 1x2,5W</b>	m. silver	0,70	22100274-71		10°	
<b>LED red 1x2,5W</b>	m. silver	0,70	22100274-72		10°	
<b>LED yellow 1x2,5W</b>	m. silver	0,70	22100274-73		10°	
<b>LED green 1x2,5W</b>	m. silver	0,70	22100274-74		10°	



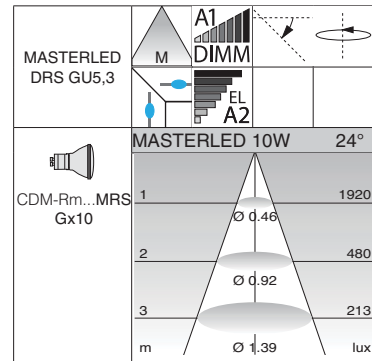
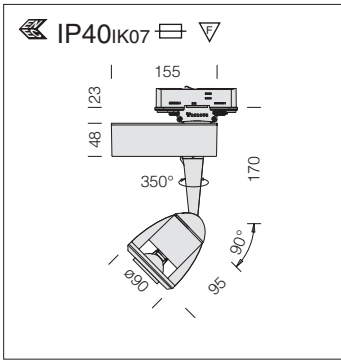
**Matrix A3 - POWER LED 3W**

		CLD CELL-F			LED (Ta=25°C)	
wattage/W	colour	weight	code	W tot	Kelvin - h - ølm - CRI	
<b>POWER LED 3x1W</b>	m. silver	0,70	22100271-00	<b>3</b>	3000K - 25000h - 120lm - CRI80	



**Matrix A3 - POWER LED 220-240V**

		CLD CELL-F			LED (Ta=25°C)	
wattage/W	colour	weight	code	W tot	Kelvin - ølm - CRI - h	
<b>POWER LED 6</b>	m. silver	0,70	22100276-00	<b>6</b>	2700K - 270lm - CRI 80- 25000h	



Matrix A2 - MASTERLED 7-10W DIMM				
		CLD CELL-F-D		LED (Ta=25°C)
wattage/W	colour	weight	code	W tot. Kelvin - cd - degrees - CRI
MASTERLED 7W	m. silver	1,00	22100175-00	8 3000K - 1550cd - 24° - CRI80
MASTERLED 10W	m. silver	1,00	22100174-00	11 3000K - 1920cd - 24° - CRI80

On request: 15° and 36° beam angle.

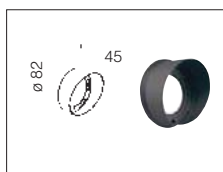
**MASTERLED:** particularly suited for public spaces such as reception halls, entrance lobbies, corridors, stairways and bathrooms where lights stay on all day, **40,000** hours of lifespan, and 80% energy saving compared to ALO 35W.

Matrix A4				
		CELL-F		Lamps (Ta=25°C)
wattage/W	colour	weight	code	Kelvin - cd - Ra - degrees
CDM-Rm Elite 50	m. silver	1,50	22100371-00	3000K - 2000cd - Ra90 - 40°

35W standard version (narrow beam). On request: wide beam. CDM-R mini 50: beam angle 60° on request.



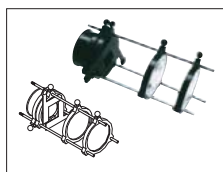
Conveyor	
black	22005232-00
To convey the light beam in one direction. For Matrix A1, A2, A3, A4.	



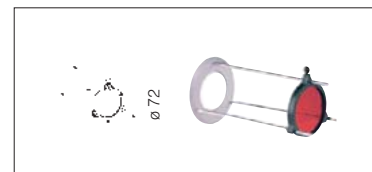
Anti-glare shutter	
black	22005228-00
In steel. used to shield the light beam. For Matrix A1, A2, A3, A4.	



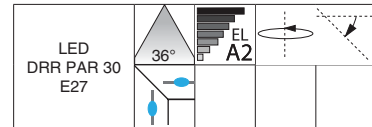
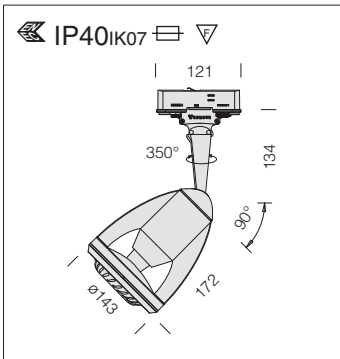
Shaper	
black	22005227-00
For Matrix A1, A2, A3, A4.	



Coloured glass	
red	22005826-00
green	22005847-00
yellow	22005851-00
blue	22005882-00
Dichroic treatment colour glass. For Matrix A1, A2, A3, A4.	



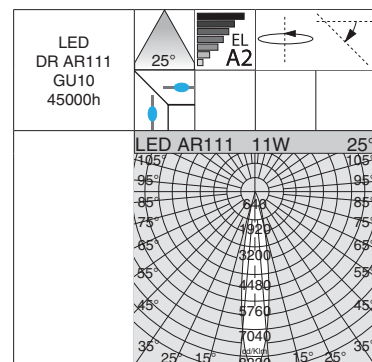
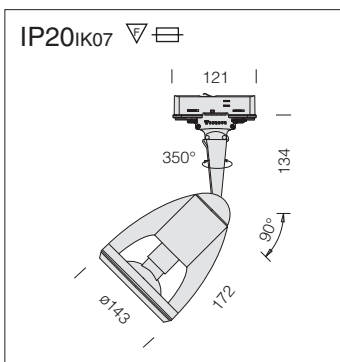




LED

**Matrix B5 - LED PAR 30**

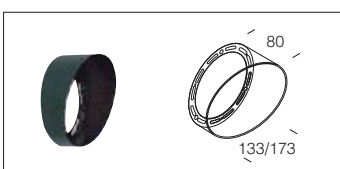
		CLD CELL-F		W tot	LED (Ta=25°C)
wattage/W	colour	weight	code		Kelvin - ølm - CRI - degrees
LED PAR 30	white	1,80	22100811-00	10	3000K - 500lm - CRI80 - 36°
LED PAR 30	black	1,80	22100831-00		
LED PAR 30	m. silver	1,80	22100871-00		



LED

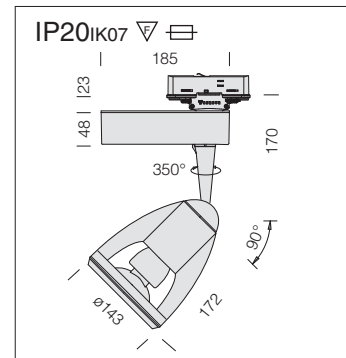
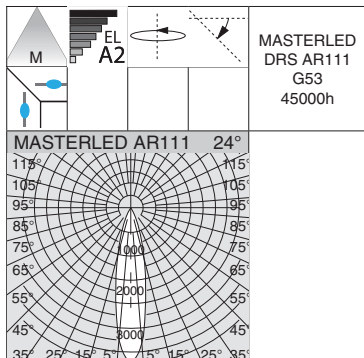
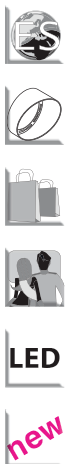
**Matrix B5 - LED AR111**

		CLD CELL-F		W tot	LED (Ta=25°C)
wattage/W	colour	weight	code		Kelvin - ølm - CRI - degrees
LED AR111-11W	white	1,60	22100812-00	12	3000K - 550lm - CRI82 - 25°
LED AR111-11W	black	1,60	22100832-00		
LED AR111-11W	m. silver	1,60	22100872-00		



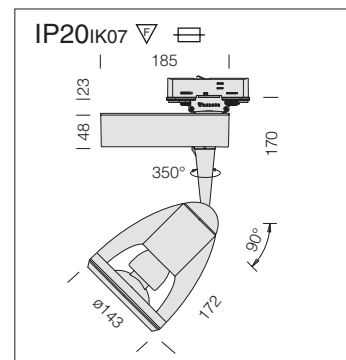
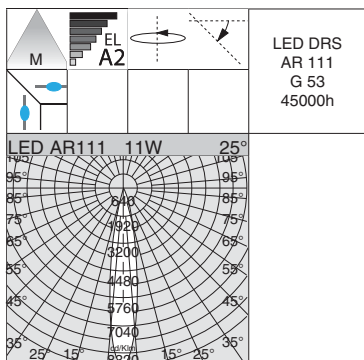
Conveyor	
black	22005861-00
To convey the light beam in one direction. For Matrix B1, B2, B3, B4, B5, B6.	





**Matrix B1 - MASTERLED AR111**

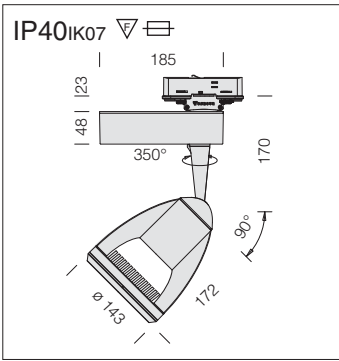
		CLD CELL-F		LED (Ta=25°C)	
wattage/W	colour	weight	code	W tot	Kelvin - ølm - CRI - degrees
MASTERLED AR111-15W	white	1,60	22100417-00	16	3000K - 745lm - CRI80 - 24°
MASTERLED AR111-15W	black	1,60	22100437-00		
MASTERLED AR111-15W	m. silver	1,60	22100477-00		



**Matrix B1 - LED AR111**

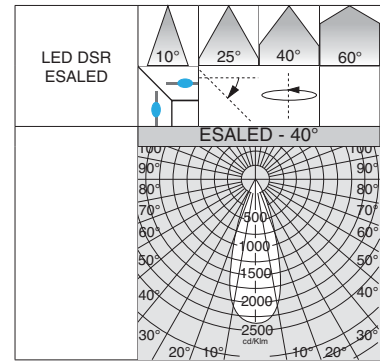
		CLD CELL-F		LED (Ta=25°C)	
wattage/W	colour	weight	code	W tot	Kelvin - ølm - CRI - degrees
LED AR111	white	1,60	22100413-00	12	3000K - 550lm - CRI82 - 25°
LED AR111	black	1,60	22100433-00		
LED AR111	m. silver	1,60	22100473-00		





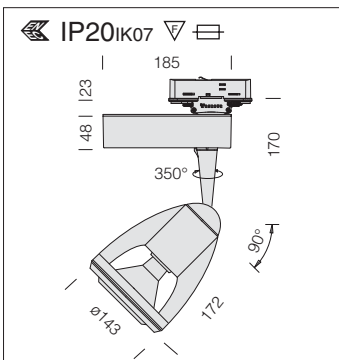
**LED:** high efficiency Esealed type, with heat sink, longer working life, CRI 80 index.

**On request:** CRI index >90.

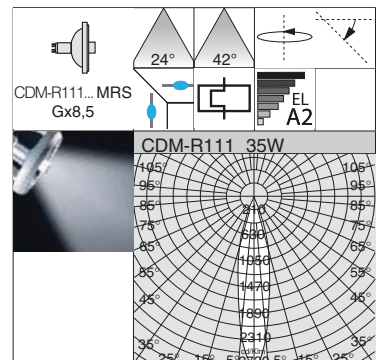


Matrix B6 ESALED				
		CLD CELL-F		LED (Ta=25°C)
wattage/W (1A)	colour	weight	code	W tot. Kelvin - ølm (1A) - degrees - CRI
ESALED 18W	m. silver	1,70	22101375-00	20 3000K - 1800lm - 10° - CRI80 3000K - 1800lm - 25° - CRI80 3000K - 1800lm - 40° - CRI80 4000K - 2000lm - 10° - CRI80 4000K - 2000lm - 25° - CRI80 4000K - 2000lm - 40° - CRI80
ESALED 18W	m. silver	1,70	22101376-00	
ESALED 18W	m. silver	1,70	22101377-00	
ESALED 18W	m. silver	1,70	22101370-00	
ESALED 18W	m. silver	1,70	22101371-00	
ESALED 18W	m. silver	1,70	22101372-00	

Matrix B6 ESALED				
		CLD CELL-F		LED (Ta=25°C)
wattage/W (1A)	colour	weight	code	W tot. Kelvin - ølm (1A) - degrees - CRI
ESALED 18W	m. silver	1,70	22101378-00	20 3000K - 1800lm - 60° - CRI80 4000K - 2000lm - 60° - CRI80
ESALED 18W	m. silver	1,70	22101373-00	



CDM-R lamps are designed for decorative illumination and expositions. The energy consumption and heat production are reduced by at least 66%. Lamps life is up to 4 times more than using a halogen lamp (11000h average life).



Matrix B2				
		CELL-F		Lamps (Ta=25°C)
wattage/W	colour	weight	code	Kelvin - ølm - Ra - degrees
CDM-R111 35	m. silver	1,20	22100571-00	3000K - 1350lm - Ra 81 - 24°
CDM-R111 70	white	1,80	22100513-00	
CDM-R111 70	black	1,80	22100533-00	
CDM-R111 70	m. silver	1,80	22100573-00	3000K - 2850lm - Ra 84 - 42°



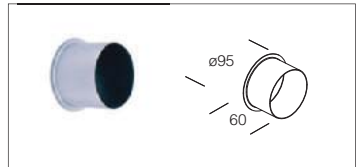
**LED**



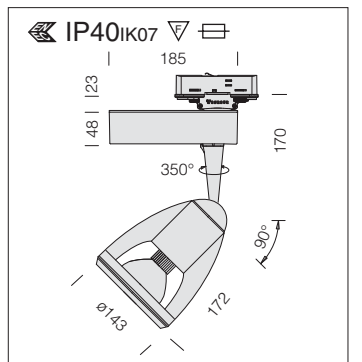
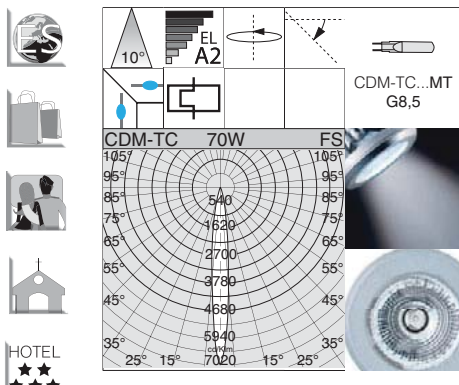
**CDM Elite Lamps:** suitable for shopping centres, ideal for enhancing the goods displayed.

- Maintenance cost reduction
- 10% increase in energy efficiency in contrast with traditional lamps
- Excellent color rendering (Ra 90)
- Improved light levels (twice as powerful)

**CDM-TC Elite 50W:** 25% longer life-span, 30% energy saving and lower power consumption compared to Elite 70W



Conveyor	
m. silver	22005274-00
To convey the light beam in one direction. For Matrix B3 version.	



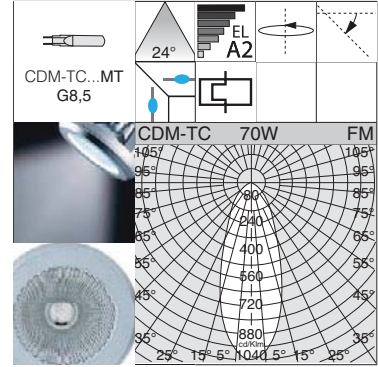
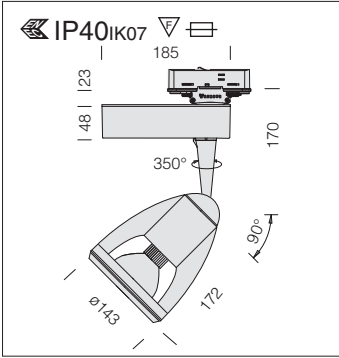
**Reflector:** Oxidised polished aluminium.

**Diffuser:** Complete with anti-glare frosted glass.



**Matrix B3 - narrow beam**

wattage/W	colour	CELL-F		Lamps (Ta=25°C)
		weight	code	Kelvin - ølm - Ra - degrees
CDM-TC Elite 35	white	1,80	22100611-00	3000K - 3900 lm - Ra 90 - 10°
CDM-TC Elite 35	black	1,80	22100631-00	
CDM-TC Elite 35	m. silver	1,80	22100671-00	
CDM-TC Elite 50	white	1,80	22100610-00	3000K - 5500 lm - Ra 90 - 10°
CDM-TC Elite 50	black	1,80	22100630-00	
CDM-TC Elite 50	m. silver	1,80	22100670-00	
CDM-TC Elite 70	white	1,80	22100616-00	3000K - 7800 lm - Ra 90 - 10°
CDM-TC Elite 70	black	1,80	22100636-00	
CDM-TC Elite 70	m. silver	1,80	22100676-00	

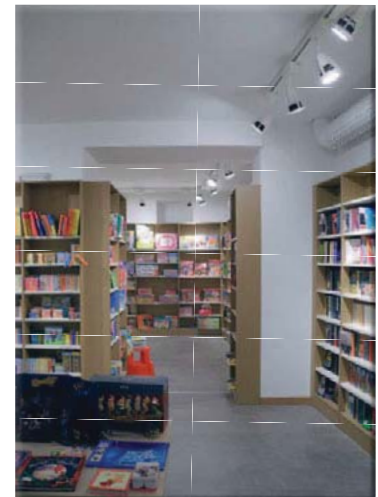
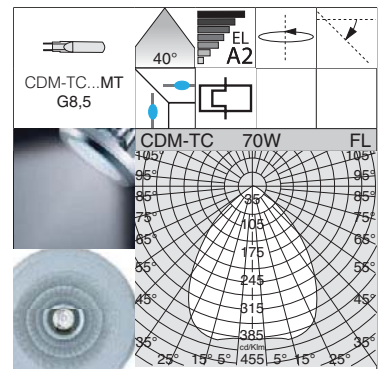
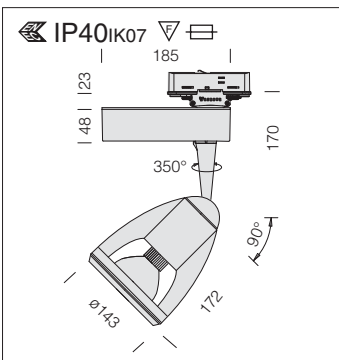


**Reflector:** Oxidised polished aluminium.

**Diffuser:** Complete with anti-glare frosted glass.

**Matrix B3 - medium beam**

wattage/W	colour	CELL-F		Lamps (Ta=25°C)
		weight	code	Kelvin - ølm - Ra - degrees
CDM-TC Elite 35	white	1,80	22100612-00	3000K - 3900 lm - Ra 90 - 24°
CDM-TC Elite 35	black	1,80	22100632-00	
CDM-TC Elite 35	m. silver	1,80	22100672-00	
CDM-TC Elite 50	white	1,80	22100617-00	3000K - 5500 lm - Ra 90 - 24°
CDM-TC Elite 50	black	1,80	22100637-00	
CDM-TC Elite 50	m. silver	1,80	22100677-00	
CDM-TC Elite 70	white	1,80	22100613-00	3000K - 7800 lm - Ra 90 - 24°
CDM-TC Elite 70	black	1,80	22100633-00	
CDM-TC Elite 70	m. silver	1,80	22100673-00	



**Reflector:** Oxidised polished aluminium.

**Diffuser:** Complete with anti-glare frosted glass.

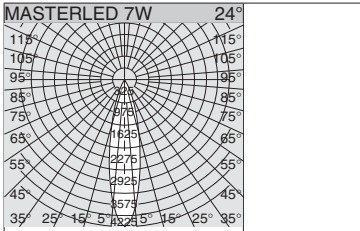
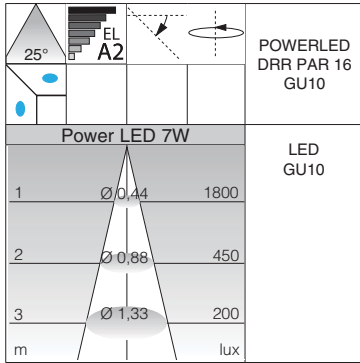
**Matrix B3 - wide beam**

wattage/W	colour	CELL-F		Lamps (Ta=25°C)
		weight	code	Kelvin - ølm - Ra - degrees
CDM-TC Elite 35	white	1,80	22100615-00	3000K - 3900 lm - Ra 90 - 40°
CDM-TC Elite 35	black	1,80	22100635-00	
CDM-TC Elite 35	m. silver	1,80	22100675-00	
CDM-TC Elite 50	white	1,80	22100614-00	3000K - 5500 lm - Ra 90 - 40°
CDM-TC Elite 50	black	1,80	22100634-00	
CDM-TC Elite 50	m. silver	1,80	22100674-00	
CDM-TC Elite 70	white	1,80	22100618-00	3000K - 7800 lm - Ra 90 - 40°
CDM-TC Elite 70	black	1,80	22100638-00	
CDM-TC Elite 70	m. silver	1,80	22100678-00	



LED

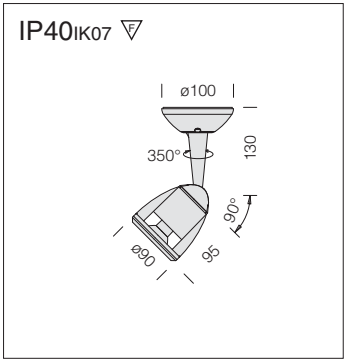
new



POWERLED  
DRR PAR 16  
GU10

Power LED 7W

LED  
GU10



**Matrix A3 - POWER LED 7W DIMM**

wattage/W	colour	CLD CELL-D		W tot	LED (Ta=25°C)	
		weight	code		Kelvin - ølm - CRI - degrees	
<b>POWER LED 7W</b>	m. silver	0,70	22200275-00	<b>7</b>	3000K - 450lm - CRI80 - 25°	

**Matrix A2 - MASTERLED 7-10W DIMM**

wattage/W	colour	CLD CELL		W tot.	LED (Ta=25°C)	
		weight	code		Kelvin - h - cd - degrees	
<b>MASTERLED 7W</b>	m. silver	0,90	22200175-00	<b>8</b>	3000K - 1550cd - 24°	
<b>MASTERLED 10W</b>	m. silver	0,90	22200174-00	<b>11</b>	3000K - 1920cd - 24°	



**Matrix A3 - POWER LED**

wattage/W	colour	CLD CELL		W tot.	LED (Ta=25°C)	
		weight	code		Kelvin - cd - degrees	
<b>LED white 1x2,5W</b>	m. silver	0,70	22200274-00	<b>2,5</b>	5000K - 120cd - 10°	
<b>LED blue 1x2,5W</b>	m. silver	0,70	22200274-71		10°	
<b>LED red 1x2,5W</b>	m. silver	0,70	22200274-72		10°	
<b>LED yellow 1x2,5W</b>	m. silver	0,70	22200274-73		10°	
<b>LED green 1x2,5W</b>	m. silver	0,70	22200274-74		10°	



**Matrix A3 - POWER LED 3W**

wattage/W	colour	CLD CELL		W tot	LED (Ta=25°C)	
		weight	code		Kelvin - h - ølm - CRI	
<b>POWER LED 3x1W</b>	m. silver	0,70	22200271-00	<b>3</b>	3000K - 25000h - 120lm	



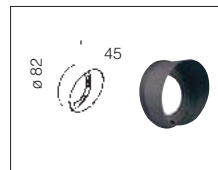
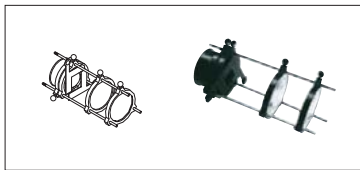
**Matrix A3 - POWER LED 6W**

wattage/W	colour	CLD CELL		W tot	LED (Ta=25°C)	
		weight	code		Kelvin - ølm - CRI - h	
<b>POWER LED 6W</b>	m. silver	0,70	22200276-00	<b>5,5</b>	2700K - 270lm - CRI 80 - 25000h	



**Shaper**

black	22005227-00
For Matrix A1, A2, A3, A4.	

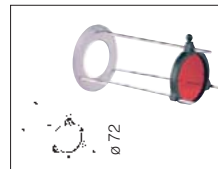


**Conveyor**

black	22005232-00
To convey the light beam in one direction. For Matrix A1, A2, A3, A4.	

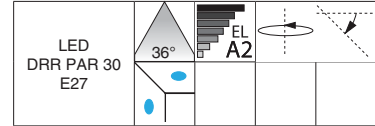
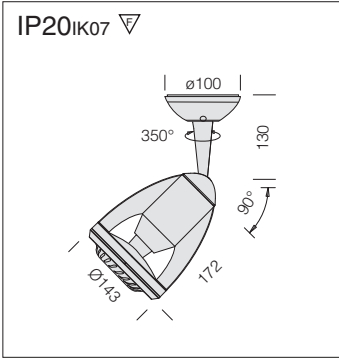
**Anti-glare shutter**

black	22005228-00
In steel. used to shield the light beam. For Matrix A1, A2, A3, A4.	

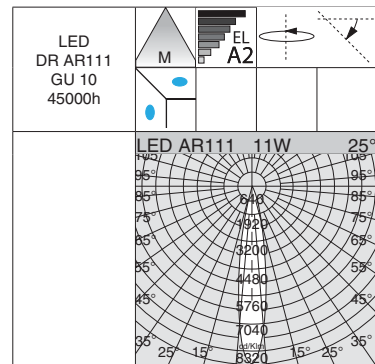
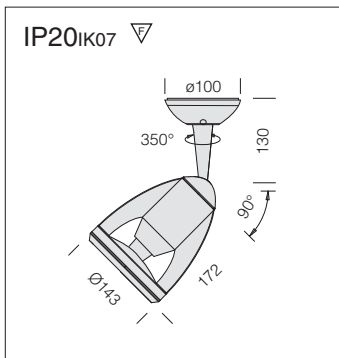


**Coloured glass**

red	22005826-00
green	22005847-00
yellow	22005851-00
blue	22005882-00
Dichroic treatment colour glass. For Matrix A1, A2, A3, A4.	



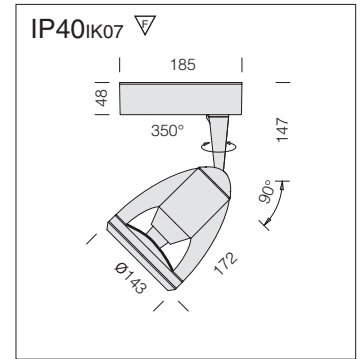
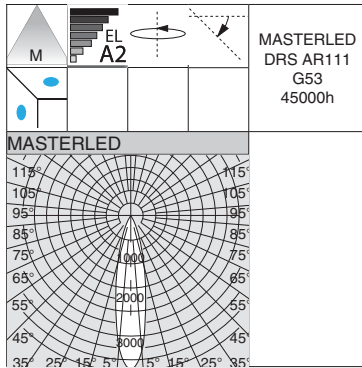
Matrix B5 - LED PAR 30					
		CLD CELL		W tot	LED (Ta=25°C)
wattage/W	colour	weight	code		Kelvin - lm - CRI - degrees
LED PAR 30	white	1,70	22200811-00	10	3000K - 500lm - CRI80 - 36°
LED PAR 30	black	1,70	22200831-00		
LED PAR 30	m. silver	1,70	22200871-00		



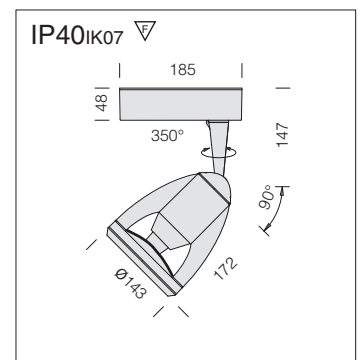
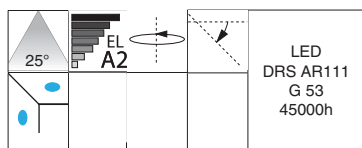
Matrix B5 - LED AR111					
		CLD CELL		W tot	LED (Ta=25°C)
wattage/W	colour	weight	code		Kelvin - lm - CRI - degrees
LED AR111-11W	white	1,80	22200812-00	12	3000K - 550lm - CRI82 - 25°
LED AR111-11W	black	1,80	22200832-00		
LED AR111-11W	m. silver	1,80	22200872-00		

Conveyor	
black	22005861-00
To convey the light beam in one direction. For Matrix B1, B2, B3, B4, B5, B6.	



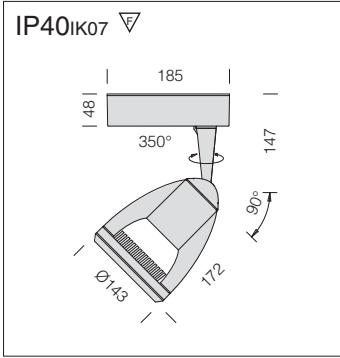


Matrix B1 - MASTERLED AR111					
		CLD CELL		LED (Ta=25°C)	
wattage/W	colour	weight	code	W tot	Kelvin - lm - Ra - degrees
MASTERLED AR111-15W	white	1,60	22200417-00	16	3000K - 745lm - 24° - CRI80
MASTERLED AR111-15W	black	1,60	22200437-00		
MASTERLED AR111-15W	m. silver	1,60	22200477-00		



CDM-R lamps are designed for decorative illumination and expositions. The energy consumption and heat production are reduced by at least 66%. Lamps life is up to 4 times more than using a halogen lamp (11000h average life).

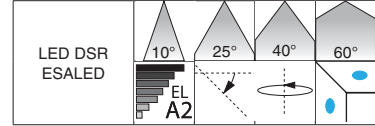
Matrix B1 - LED AR111					
		CLD CELL		LED (Ta=25°C)	
wattage/W	colour	weight	code	W tot	Kelvin - lm - Ra - degrees
LED AR111 - 11W	white	1,80	22200413-00	12	3000K - 550lm - CRI82 - 25°
LED AR111 - 11W	black	1,80	22200433-00		
LED AR111 - 11W	m. silver	1,80	22200473-00		



**LED:** high efficiency EsaLED type, with heat sink, longer working life, CRI 80 index.

**On request:** possibility on DIMM version.

Ideal for places where the lights are permanently on.

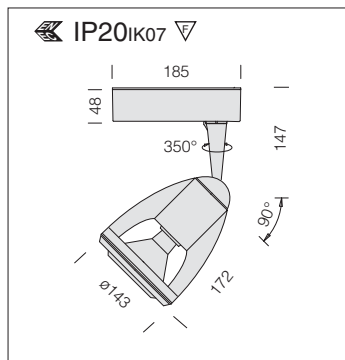


Matrix B6 - ESALED					
		CLD CELL		LED (Ta=25°C)	
wattage/W 1A	colour	weight	code	W tot.	Kelvin - ølm (1A) - degrees - CRI
ESALED 18W	m. silver	1,70	22201375-00	20	3000K - 1800lm - 10° - CRI80
ESALED 18W	m. silver	1,70	22201370-00		4000K - 2000lm - 10° - CRI80
ESALED 18W	m. silver	1,70	22201371-00		4000K - 2000lm - 25° - CRI80
ESALED 18W	m. silver	1,70	22201372-00		4000K - 2000lm - 40° - CRI80

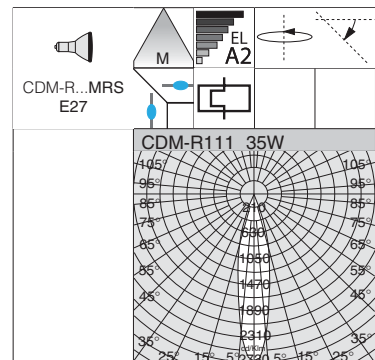
**On request:** CRI index >90

Matrix B6 - ESALED					
		CLD CELL		LED (Ta=25°C)	
wattage/W 1A	colour	weight	code	W tot.	Kelvin - ølm (1A) - degrees - Ra
ESALED 18W	m. silver	1,70	22201373-00	20	4000K - 2000lm - 60° - CRI80

**On request:** CRI index >90



CDM-R lamps are designed for decorative illumination and expositions. The energy consumption and heat production are reduced by at least 66%. Lamps life is up to 4 times more than using a halogen lamp (11000h average life).



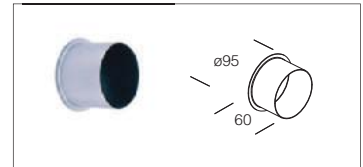
Matrix B2					
		CELL		Lamps (Ta=25°C)	
wattage/W	colour	weight	code	Kelvin - ølm - Ra	
CDM-R111 35	m. silver	1,10	22200571-00	3000K - 1350lm - Ra 81 - 24°	
CDM-R111 70	white	1,70	22200513-00	3000K - 2850lm - Ra 84 - 42°	
CDM-R111 70	black	1,70	22200533-00		
CDM-R111 70	m. silver	1,70	22200573-00		



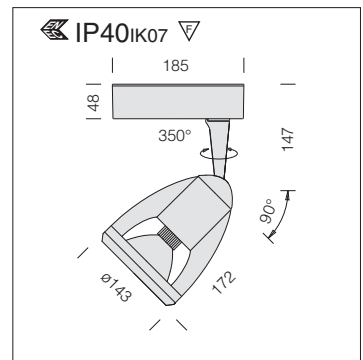
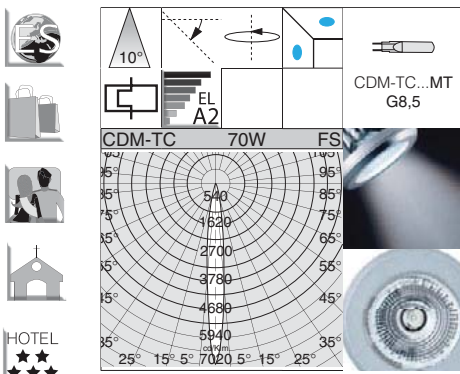
**CDM Elite Lamps:** suitable for shopping centres, ideal for enhancing the goods displayed.

- Maintenance cost reduction
- 10% increase in energy efficiency in contrast with traditional lamps
- Excellent color rendering (Ra 90)
- Improved light levels (twice as powerful)

**CDM-TC Elite 50W:** 25% longer life-span, 30% energy saving and lower power consumption compared to Elite 70W.



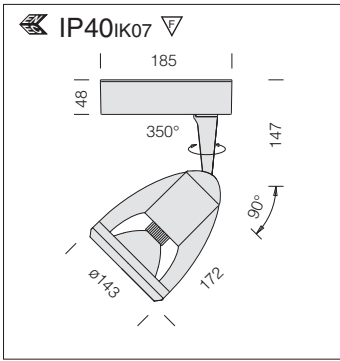
Conveyor	
m. silver	22005274-00
To convey the light beam in one direction. For Matrix B3 version.	



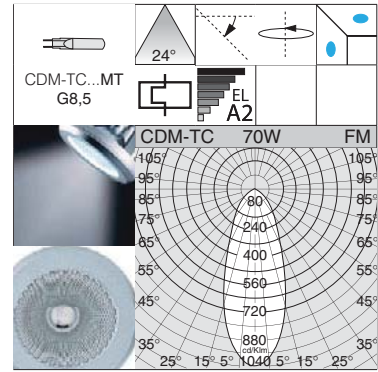
**Reflector:** Oxidised polished aluminium.

Matrix B3 - narrow beam				
wattage/W	colour	CELL		Lamps (Ta=25°C)
		weight	code	Kelvin - ølm - Ra - degrees
CDM-TC Elite 35	white	1,70	22200611-00	3000K - 3900 lm - Ra 90 - 10°
CDM-TC Elite 35	black	1,70	22200631-00	
CDM-TC Elite 35	m. silver	1,70	22200671-00	
CDM-TC Elite 50	white	1,70	22200610-00	3000K - 5500 lm - Ra 90 - 10°
CDM-TC Elite 50	black	1,70	22200630-00	
CDM-TC Elite 50	m. silver	1,70	22200670-00	
CDM-TC Elite 70	white	1,70	22200616-00	3000K - 7800 lm - Ra 90 - 10°
CDM-TC Elite 70	black	1,70	22200636-00	
CDM-TC Elite 70	m. silver	1,70	22200676-00	

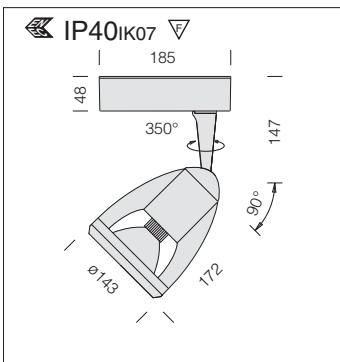




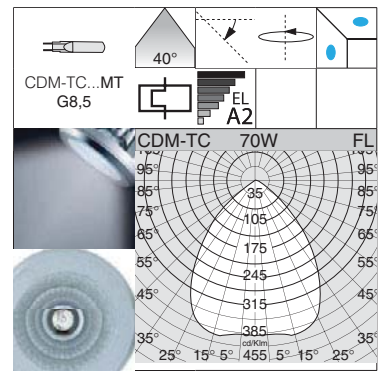
**Reflector:** Oxidised polished aluminium.



		Matrix B3 - medium beam		
		CELL		Lamps (Ta=25°C)
wattage/W	colour	weight	code	Kelvin - ølm - Ra - degrees
CDM-TC Elite 35	white	1,70	22200612-00	3000K - 3900 lm - Ra 90 - 24°
CDM-TC Elite 35	black	1,70	22200632-00	
CDM-TC Elite 35	m. silver	1,70	22200672-00	
CDM-TC Elite 50	white	1,70	22200617-00	3000K - 5500 lm - Ra 90 - 24°
CDM-TC Elite 50	black	1,70	22200637-00	
CDM-TC Elite 50	m. silver	1,70	22200677-00	
CDM-TC Elite 70	white	1,70	22200613-00	3000K - 7800 lm - Ra 90 - 24°
CDM-TC Elite 70	black	1,70	22200633-00	
CDM-TC Elite 70	m. silver	1,70	22200673-00	




**Reflector:** Oxidised polished aluminium.



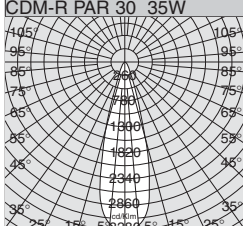
		Matrix B3 - wide beam		
		CELL		Lamps (Ta=25°C)
wattage/W	colour	weight	code	Kelvin - ølm - Ra - degrees
CDM-TC Elite 35	white	1,70	22200615-00	3000K - 3900 lm - Ra 90 - 40°
CDM-TC Elite 35	black	1,70	22200635-00	
CDM-TC Elite 35	m. silver	1,70	22200675-00	
CDM-TC Elite 50	white	1,70	22200614-00	3000K - 5500 lm - Ra 90 - 40°
CDM-TC Elite 50	black	1,70	22200634-00	
CDM-TC Elite 50	m. silver	1,70	22200674-00	
CDM-TC Elite 70	white	1,70	22200618-00	3000K - 7800 lm - Ra 90 - 40°
CDM-TC Elite 70	black	1,70	22200638-00	
CDM-TC Elite 70	m. silver	1,70	22200678-00	



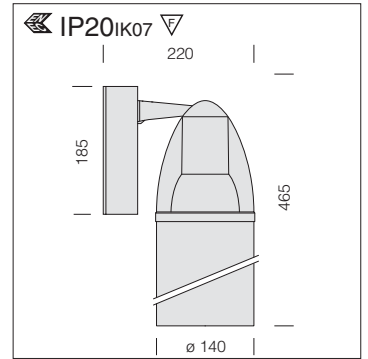


			CDM-R...MRS E27
<b>LED</b>			

CDM-R PAR 30 35W




CDM-R lamps are designed for decorative illumination and expositions. The energy consumption and heat production are reduced by at least 66%. Lamps life is up to 4 times more than using a halogen lamp (11000h average life).



**Diffuser:** Complete with anti-glare frosted glass.

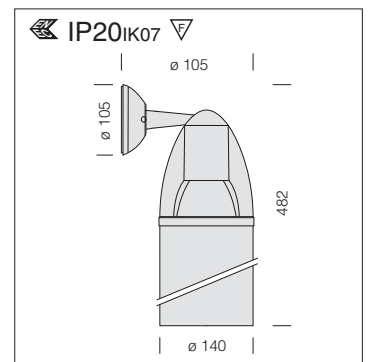
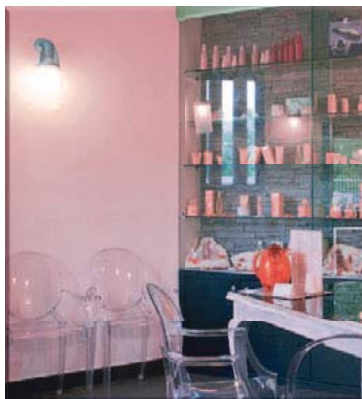
		Matrix 2		Lamps (Ta=25°C)	
wattage/W	colour	weight	code	Kelvin - ølm - Ra	
CDM-R PAR30 35	m. silver	2,50	22201272-00	3000K - 2200 lm - Ra 83	
CDM-R PAR30 70	m. silver	2,50	22201273-00	3000K - 4850 lm - Ra 83	



			LED DRR PAR 30 E27
			FLC-EL...FBT E27

36°

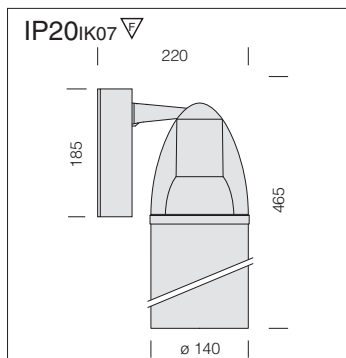
EL A2



**Diffuser:** Complete with anti-glare frosted glass.

		Matrix 1 LED PAR 30		LED (Ta=25°C)	
wattage/W	colour	weight	code	W tot	Kelvin - lm - CRI - degrees
LED PAR30	m. silver	1,80	22201077-00	10	3000K - 500lm - CRI80 - 36°

		Matrix 1 - 220-240V		Lamps (Ta=25°C)	
wattage/W	colour	weight	code	Kelvin - ølm - Ra	
PAR30/FLC	m. silver	1,80	22201171-00	Max 75/23	

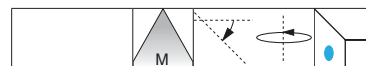


**Diffuser:** Complete with anti-glare frosted glass.

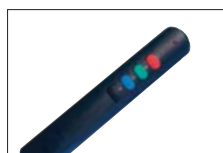
- Kit 1, code 22090872-00 (powers up to 5 Matrix 2 in synchronized mode), 1 Master, power supply, 1 IRE receiver and one terminal block.

- Kit 2, code 22090873-00 (powers up to 10 Matrix 2 in synchronized mode), Master, Slave, 2 power supply packs, a terminal block and IRE receiver.

Remote control code 22099020-00 is supplied separately.



Matrix 2 POWER LED RGB CLD CELL			
wattage/W	colour	weight	code
LED RGB 3x1W	m. silver	2,20	22201070-00



Remote control
22099020-00
Allows switching on and off, permits programmes of colour changing, and manual control of desired colours.



**KIT1 CODE 22090872-00**  
1 Master, 1 power supply,  
1 IRE receiver and  
one terminal block



**KIT2 CODE 22090873-00**  
1 Master, 1 Slave 2 power supply  
packs,  
1 IRE receiver and  
one terminal block.





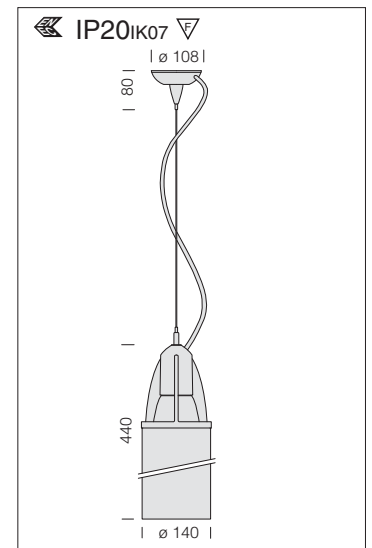
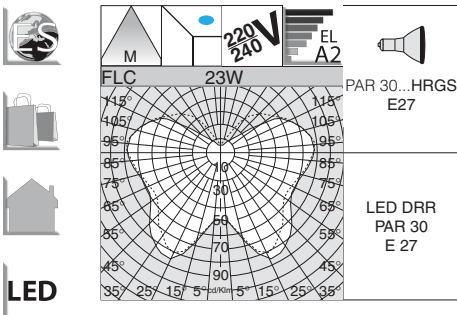
**Housing:** In die-cast aluminium.

**Reflector:** Polished anodised aluminium.

**Diffuser:** Tempered glass.

**Coating:** with a UV-stabilised powder acrylic-resin paint.

**Regulations:** Manufactured in accordance with EN 60598-1-CEI 34.21 standards. Degrees of protection in accordance with EN60529 standards.



Matrix 1 LED PAR 30 - 220-240V					
		CLD CELL		LED (Ta=25°C)	
wattage/W	colour	weight	code	W tot	Kelvin - ølm - CRI - degrees
LED PAR 30	m. silver	1,80	22201379-00	10	3000K - 500lm - CRI80 - 36°

Matrix 3 - 220-240V					
		S		Lamps (Ta=25°C)	
wattage/W	colour	weight	code		
PAR30/FLC 75/23	m. silver	2,00	22201374-00	Max 75/23	

Maximum cable length: 1200mm

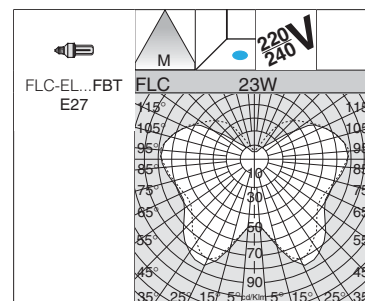
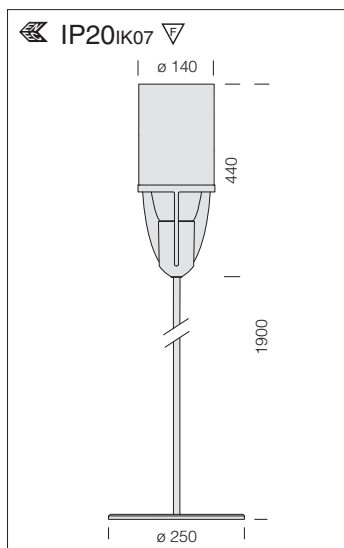
**Housing:** In die-cast aluminium with central shaft to carry cables.

**Reflector:** Polished anodised aluminium.

**Diffuser:** Tempered glass.

**Coating:** with a UV-stabilised powder acrylic-resin paint.

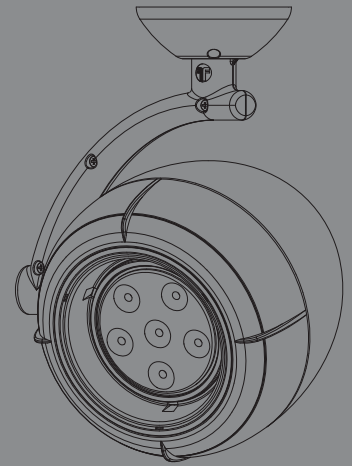
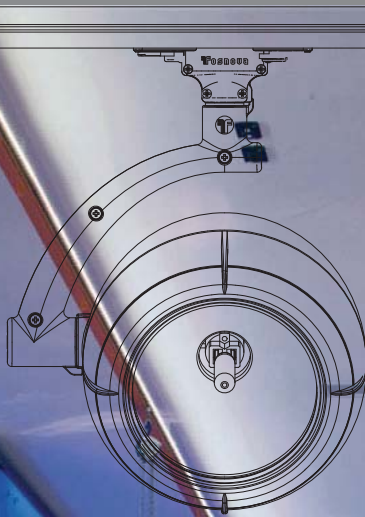
**Regulations:** Manufactured in accordance with EN 60598-1-CEI 34.21 standards. Degrees of protection in accordance with EN60529 standards.



Matrix 4 - floor version - 220-240V			
		S	Lamps (Ta=25°C)
wattage/W	colour	code	
PAR30/FLC 75/23	m. silver	22201475-00	Max 75/23







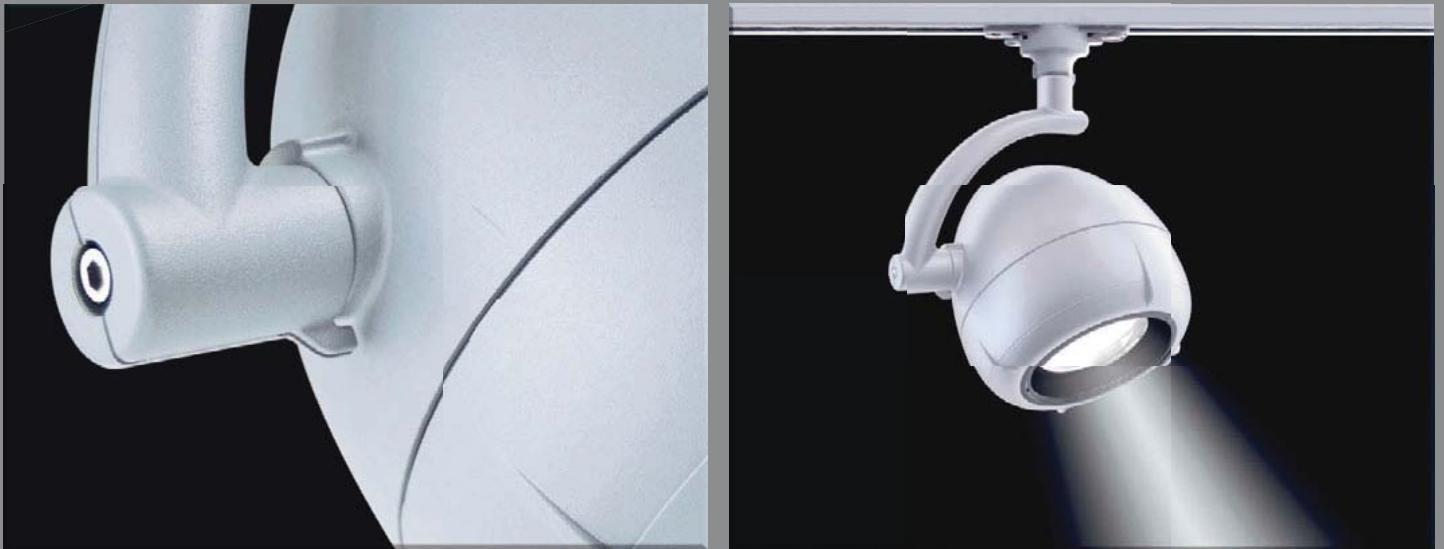
INTERIOR FLOODLIGHTS

Designing today means exploiting the ability of light to emphasise space and so becoming the link between the object, its shape and its contents. The chromatic power of light triggers infinite modulation solutions and enhances the volumetric perception of the architecture and the corresponding colour used.

Lighting means providing a suitable quantity of light, managed in order to interpret the designated space and function.

The LEO system has been designed by Dal Lago Associati, and takes into consideration a vast range of uses when lighting indoor spaces (showrooms, stores, shop windows, common areas).

The range includes numerous optic solutions with different power outputs and beam widths, including an energy-saving solution using LEDs. The fixture can be mounted on a track or on a base plate and can be installed in any position to ensure maximum versatility.







**Housing:** Die-cast aluminium with accessible frame designed with bayonet coupling to allow easy lamp maintenance.

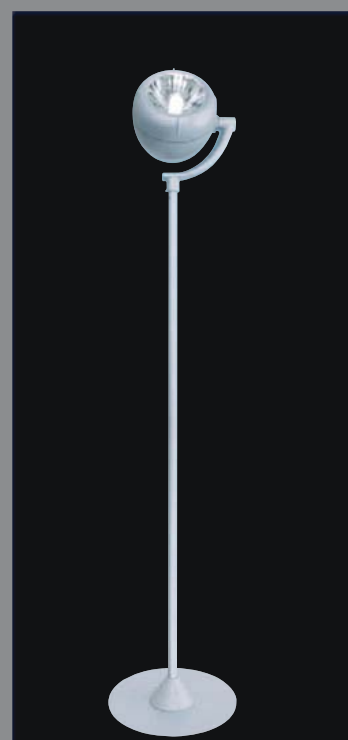
**Reflector:** Mirror-finish, faceted aluminium for the ceramic versions.

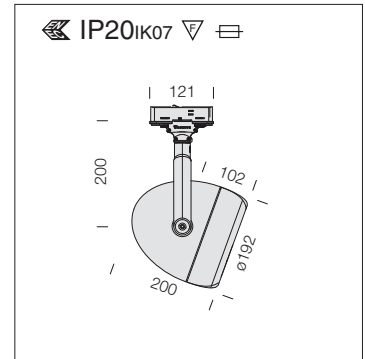
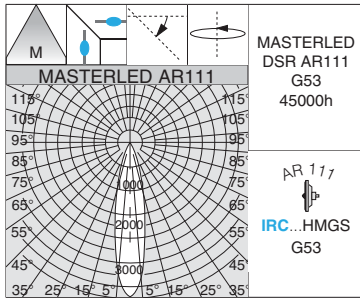
**Coating:** Acrylic resin based UV resistant powder paint.

**Equipment:** supplied complete with adjustable bracket (on vertical axis with 355° rotation) in die-cast aluminium providing internal passage for wires.

**Standards:** Products comply with EN 60598-1-CEI 34.21 standards, with level of protection in accordance with EN 60529 standards.

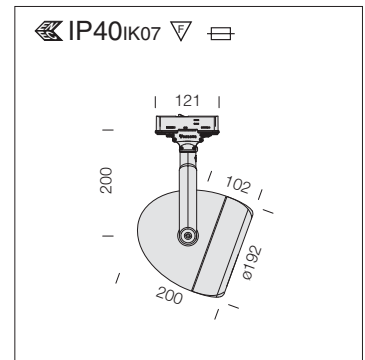
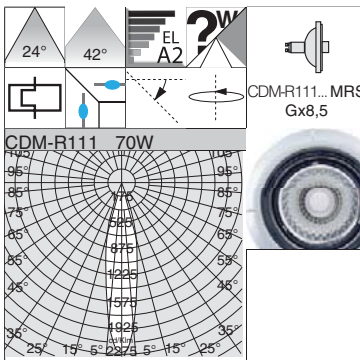
**On request:** Leo floor version.





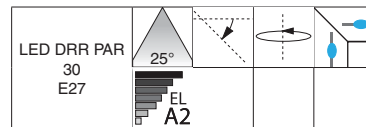
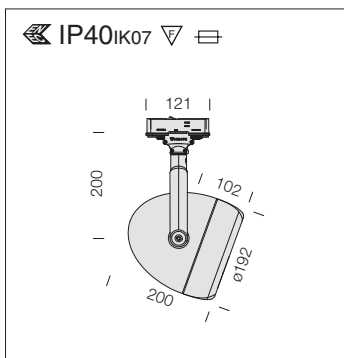
Leo 2 - MASTERLED AR111					
		CLD CELL-F		LED (Ta=25°C)	
wattage/W	colour	weight	code	W tot	Kelvin - ølm - CRI - degrees
MASTERLED AR111 10W	white	1,70	22710112-00	11	3000K - 578lm - CRI80 - 24°
MASTERLED AR111 10W	m. silver	1,70	22710172-00		
MASTERLED AR111 15W	white	1,70	22710113-00	16	3000K - 745lm - CRI80 - 24°
MASTERLED AR111 15W	m. silver	1,70	22710173-00		

Leo 2					
		CTL-F		Lamps (Ta=25°C)	
wattage/W	colour	weight	code	Kelvin - h - cd - degrees	
AR111-IRC 50	white	1,70	22710111-00	3000K - 4000h - 5500cd - 24°	
AR111-IRC 50	m. silver	1,70	22710171-00		



CDM-R lamps are designed for decorative illumination and expositions. The energy consumption and heat production are reduced by at least 66%. Lamps life is up to 4 times more than using a halogen lamp (11000h average life).

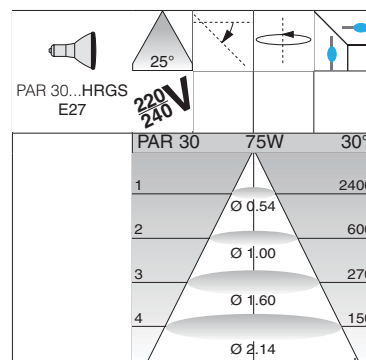
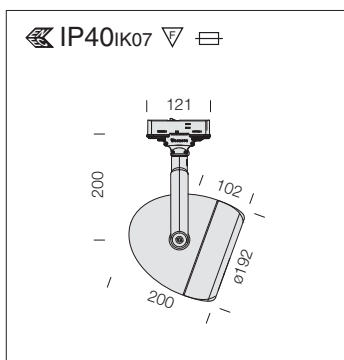
Leo 5					
		CELL-F		Lamps (Ta=25°C)	
wattage/W	colour	weight	code	Kelvin - ølm - Ra - degrees	
CDM-R111 35	white	2,00	22710411-00	3000K - 1350lm - Ra 81 - 24°	
CDM-R111 35	m. silver	2,00	22710471-00		
CDM-R111 70	white	2,00	22710412-00	3000K - 2850lm - Ra 84 - 42°	
CDM-R111 70	m. silver	2,00	22710472-00		



Leo 3 LED PAR 30					
		CLD CELL-F		LED (Ta=25°C)	
wattage/W	colour	weight	code	W tot	Kelvin - ølm - CRI - degrees
LED PAR 30	white	1,80	22710211-00	10	3000K - 500lm - CRI80 - 24°
LED PAR 30	m. silver	1,80	22710271-00		



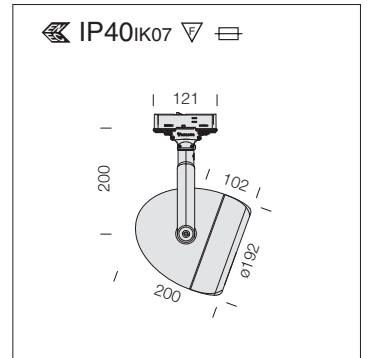
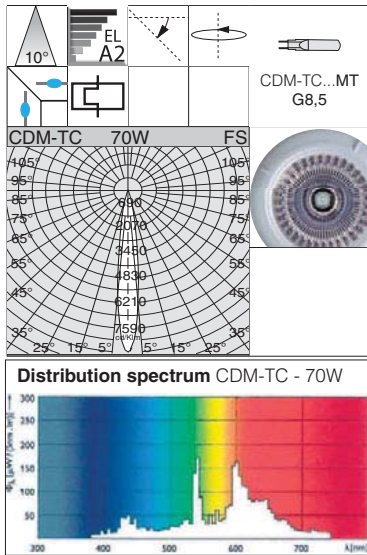
INTERIOR FLOODLIGHTS



Leo 3					
		S+L-F		Lamps (Ta=25°C)	
wattage/W	colour	weight	code	Kelvin - h - cd - Ra - degrees	
PAR30 75	white	1,80	22710212-00	2900K - 2000h - 2200cd - Ra 1b - 25°	
PAR30 75	m. silver	1,80	22710272-00		

Lamp set with glass reflector for bright light effects.





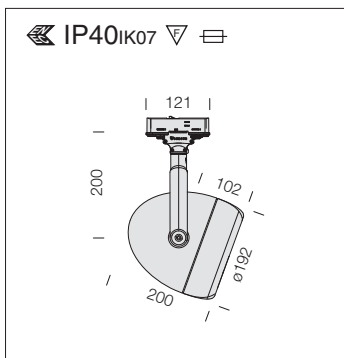
**Reflector:** in oxidized and faceted aluminium  
**Diffuser:** protection clear tempered glass.

Leo 4 - FS				
		CELL-F		Lamps (Ta=25°C)
wattage/W	colour	weight	code	Kelvin - l/m - Ra - degrees
CDM-TC Elite 35	white	2,10	22710313-00	3000K - 3900 lm - Ra 90 - 10°
CDM-TC Elite 35	m. silver	2,10	22710373-00	
CDM-TC Elite 50	white	2,10	22710310-00	3000K - 5500 lm - Ra 90 - 10°
CDM-TC Elite 50	m. silver	2,10	22710370-00	
CDM-TC Elite 70	white	2,10	22710316-00	3000K - 7800 lm - Ra 90 - 10°
CDM-TC Elite 70	m. silver	2,10	22710376-00	

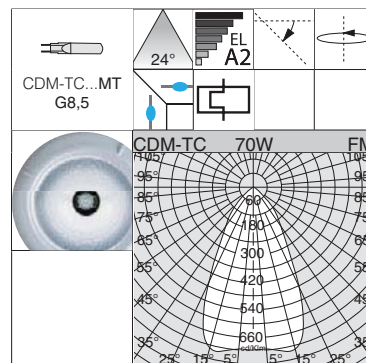
Supplied with electronic gear and lamp.

**CDM Elite Lamps:** suitable for shopping centres, ideal for enhancing the goods displayed.  
 - Maintenance cost reduction  
 - 10% increase in energy efficiency in contrast with traditional lamps  
 - Excellent color rendering (Ra 90)  
 - Improved light levels (twice as powerful)

**CDM-TC Elite 50W:** 25% longer life-span, 30% energy saving and lower power consumption compared to Elite 70W.



**Reflector:** in oxidized aluminium with semi-spherical facets.  
**Diffuser:** protection clear tempered glass.

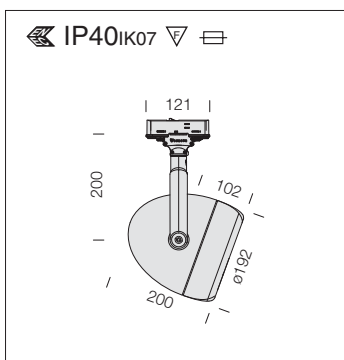


**CDM Elite Lamps:** suitable for shopping centres, ideal for enhancing the goods displayed.  
 - Maintenance cost reduction  
 - 10% increase in energy efficiency in contrast with traditional lamps  
 - Excellent color rendering (Ra 90)  
 - Improved light levels (twice as powerful)

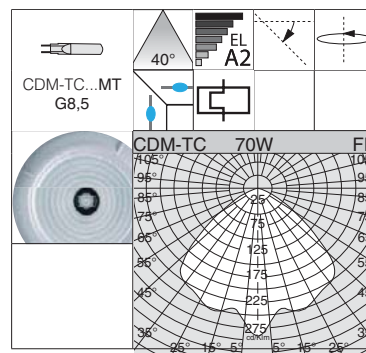
**CDM-TC Elite 50W: 25% longer lifespan, 30% energy saving and lower power consumption compared to Elite 70W.**

Leo 4 - FM				
		CELL-F		Lamps (Ta=25°C)
wattage/W	colour	weight	code	Kelvin - ølm - Ra - degrees
CDM-TC Elite 35	white	2,10	22710314-00	3000K - 3900 lm - Ra 90 - 24°
CDM-TC Elite 35	m. silver	2,10	22710374-00	
CDM-TC Elite 50	white	2,10	22710312-00	3000 K - 5500 lm - Ra 90 - 24°
CDM-TC Elite 50	m. silver	2,10	22710372-00	
CDM-TC Elite 70	white	2,10	22710317-00	3000K - 7800 lm - Ra 90 - 24°
CDM-TC Elite 70	m. silver	2,10	22710377-00	

Supplied with electronic gear and lamp.



**Reflector:** in oxidized and faceted matt aluminium  
**Diffuser:** protection clear tempered glass.



**CDM Elite Lamps:** suitable for shopping centres, ideal for enhancing the goods displayed.  
 - Maintenance cost reduction  
 - 10% increase in energy efficiency in contrast with traditional lamps  
 - Excellent color rendering (Ra 90)  
 - Improved light levels (twice as powerful)

**CDM-TC Elite 50W: 25% longer lifespan, 30% energy saving and lower power consumption compared to Elite 70W.**

Leo 4 - FL				
		CELL-F		Lamps (Ta=25°C)
wattage/W	colour	weight	code	Kelvin - ølm - Ra - degrees
CDM-TC Elite 35	white	2,10	22710315-00	3000K - 3900 lm - Ra 90 - 40°
CDM-TC Elite 35	m. silver	2,10	22710375-00	
CDM-TC Elite 50	white	2,10	22710319-00	3000 K - 5500 lm - Ra 90 - 40°
CDM-TC Elite 50	m. silver	2,10	22710379-00	
CDM-TC Elite 70	white	2,10	22710318-00	3000K - 7800 lm - Ra 90 - 40°
CDM-TC Elite 70	m. silver	2,10	22710378-00	

Supplied with electronic gear and lamp.



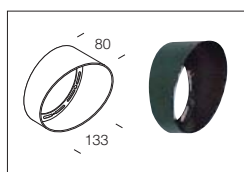
	<p>LED AR 50.000 h</p>
<p>LED AR 111</p>	



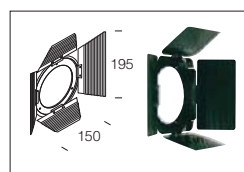
IP40IK07

Dimensions: 200, 102, 119, 200, 150, 150  
 Rotation: 210°, 355°

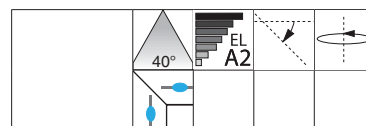
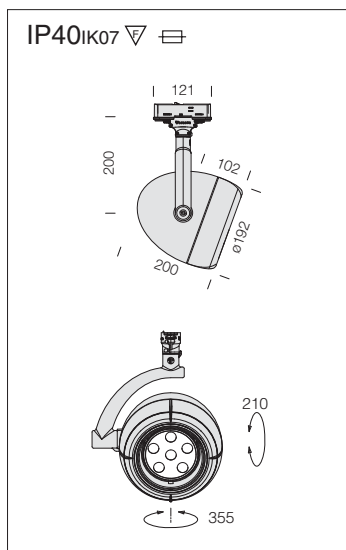
Leo 8 - LED AR					
		CLD CELL		LED (Ta=25°C)	
wattage/W	colour	weight	code	W tot.	Kelvin - ølm - degrees
LED AR 111	white	2,00	22710114-00	26	3000K - 1730lm - 45°
LED AR 111	m. silver	2,00	22710174-00		



Conveyor	
black	22005864-00
For CDM-TC e AR111 lamp version.	



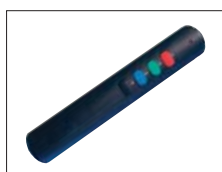
Anti-glare shutter	
black	22005865-00
For CDM-TC e AR111 lamp version.	



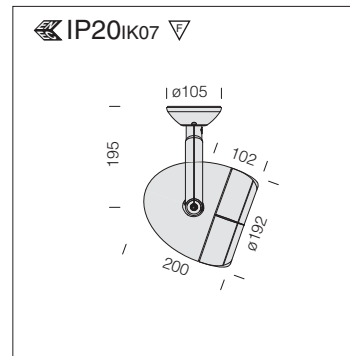
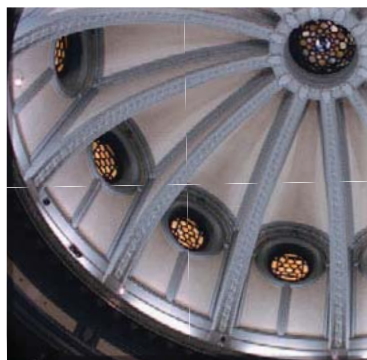
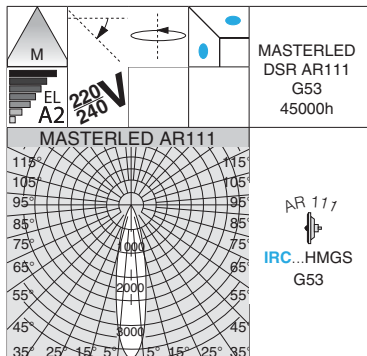
Leo 7 - ESALED FULLCOLOR					
		CLD CELL-F		W tot.	LED (Ta=25°C)
wattage/W (350mA)	colour	weight	code	20	degrees
ESALED Fullcolor 6x3,2W	white	1,80	22711214-00		40°
ESALED Fullcolor 6x3,2W	m. silver	1,80	22711274-00		

Functioning only as the Master receiver with IRE. Accessory remote control sold separately cod. 22099020-00.

**Remote control**  
22099020-00  
Allows switching on and off, permits programmes of colour changing, and manual control of desired colours.



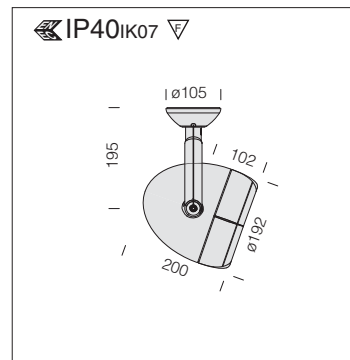
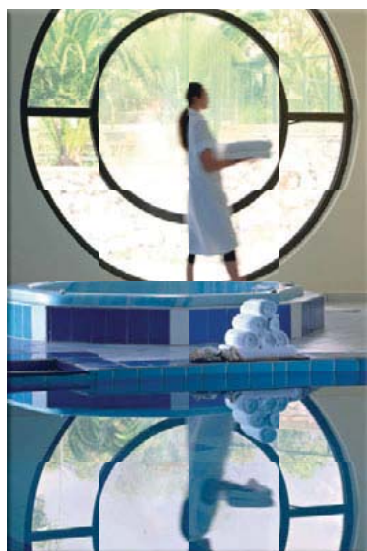
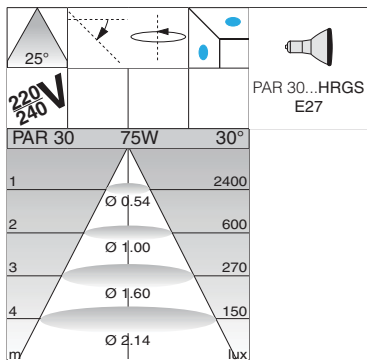
- 
- 
- 
- 
- 
- LED**
- new**



Leo 2 MASTERLED AR111					
		CLD CELL		LED (Ta=25°C)	
wattage/W	colour	weight	code	W Tot	Kelvin - ølm - CRI - degrees
MASTERLED AR111 10W	white	1,80	22810112-00	10	3000K - 578lm - CRI80 - 24°
MASTERLED AR111 10W	m. silver	1,80	22810172-00		
MASTERLED AR111 15W	white	1,80	22810113-00	15	3000K - 745lm - CRI80 - 24°
MASTERLED AR111 15W	m. silver	1,80	22810173-00		

Leo 2 -					
		CTL		Lamps (Ta=25°C)	
wattage/W	colour	weight	code	Kelvin - h - cd - degrees	
AR111-IRC 50	white	1,80	22810111-00	3000K - 4000h - 5500cd - 24°	
AR111-IRC 50	m. silver	1,80	22810171-00		

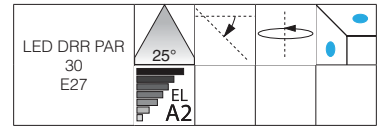
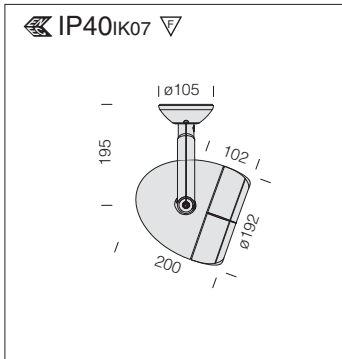
- 
- 
- 
- 
- 
- 
- 



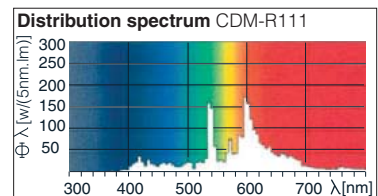
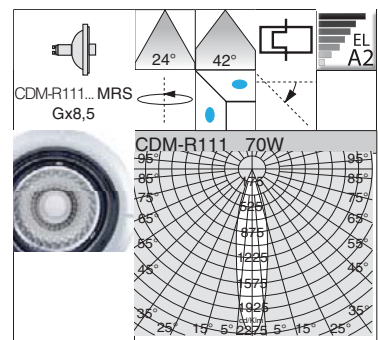
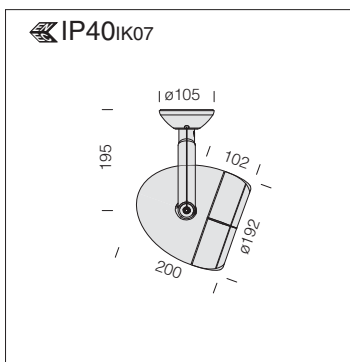
Leo 3					
		S+L-F		Lamps (Ta=25°C)	
wattage/W	colour	weight	code	Kelvin - h - cd - Ra - degrees	
PAR30 75	white	1,80	22810212-00	2900K - 2000h - 2200cd - Ra 1b - 25°	
PAR30 75	m. silver	1,80	22810272-00		

Lamp set with glass reflector for bright light effects.





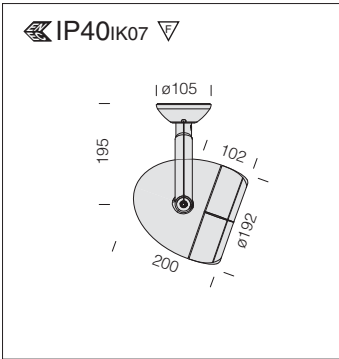
		Leo 3 LED PAR 30			
		CLD CELL		LED (Ta=25°C)	
wattage/W	colour	weight	code	W Tot	Kelvin - ølm - CRI - degrees
LED PAR 30	white	1,80	22810211-00	10	3000K - 500lm - CRI80 - 25°
LED PAR 30	m. silver	1,80	22810271-00		



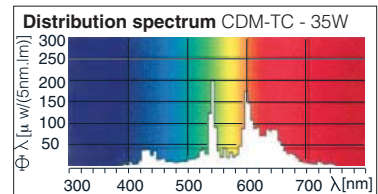
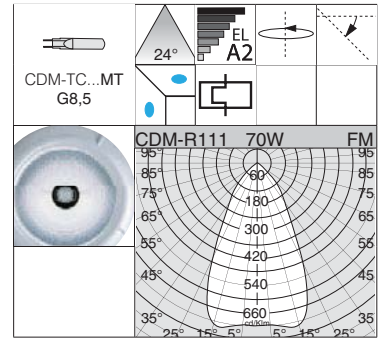
		Leo 5			
		CELL		Lamps (Ta=25°C)	
wattage/W	colour	weight	code	Kelvin - ølm - Ra - degrees	
CDM-R111 35	white	2,00	22810411-00	3000K - 1350lm - Ra 81 - 24°	
CDM-R111 35	m. silver	2,00	22810471-00		
CDM-R111 70	white	2,00	22810412-00	3000K - 2850lm - Ra 84 - 42°	
CDM-R111 70	m. silver	2,00	22810472-00		





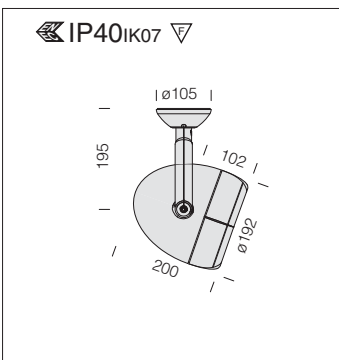


**Reflector:** in oxidized aluminium with semi-spherical facets.  
**Diffuser:** protection clear tempered glass.

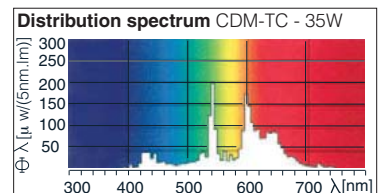
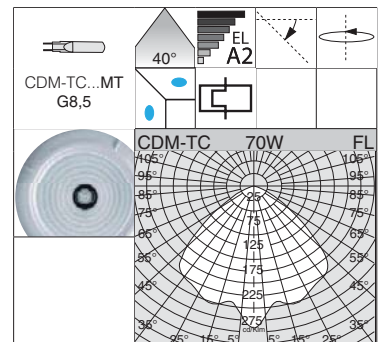


Leo 4 - FM				
		CELL		Lamps (Ta=25°C)
wattage/W	colour	weight	code	Kelvin - ølm - Ra - degrees
CDM-TC Elite 35	white	2,20	22810314-00	3000K - 3900 lm - Ra 90 - 24°
CDM-TC Elite 35	m. silver	2,20	22810374-00	
CDM-TC Elite 50	white	2,20	22810312-00	3000 K - 5500 lm - Ra 90 - 24°
CDM-TC Elite 50	m. silver	2,20	22810372-00	
CDM-TC Elite 70	white	2,20	22810317-00	3000K - 7800 lm - Ra 90 - 24°
CDM-TC Elite 70	m. silver	2,20	22810377-00	

Supplied with electronic gear and lamp.



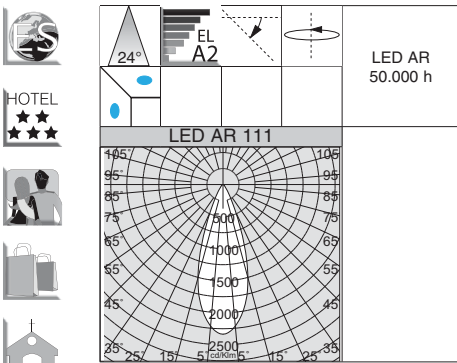
**Reflector:** in oxidized and faceted matt aluminium  
**Diffuser:** protection clear tempered glass.



Leo 4 - FL				
		CELL		Lamps (Ta=25°C)
wattage/W	colour	weight	code	Kelvin - ølm - Ra - degrees
CDM-TC Elite 35	white	2,20	22810315-00	3000K - 3900 lm - Ra 90 - 40°
CDM-TC Elite 35	m. silver	2,20	22810375-00	
CDM-TC Elite 50	white	2,20	22810319-00	3000 K - 5500 lm - Ra 90 - 40°
CDM-TC Elite 50	m. silver	2,20	22810379-00	
CDM-TC Elite 70	white	2,20	22810318-00	3000K - 7800 lm - Ra 90 - 40°
CDM-TC Elite 70	m. silver	2,20	22810378-00	

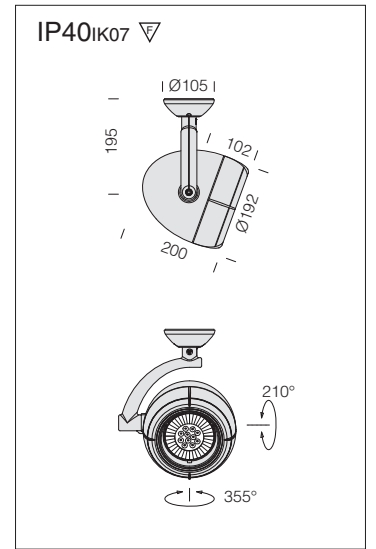
Supplied with electronic gear and lamp.



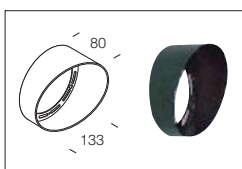


- 
- 
- 
- 
- 

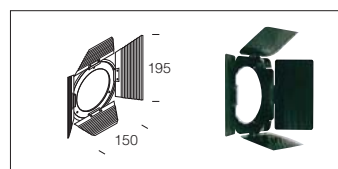
LED  
new



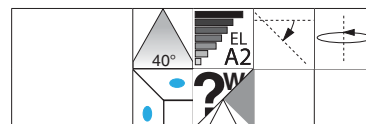
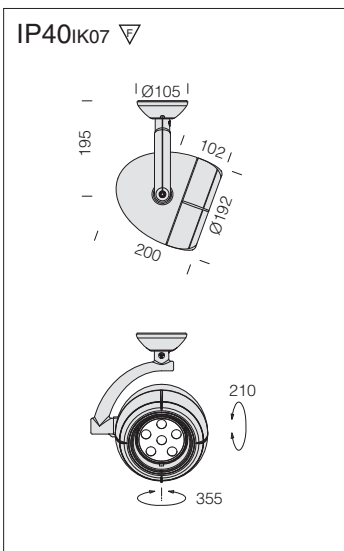
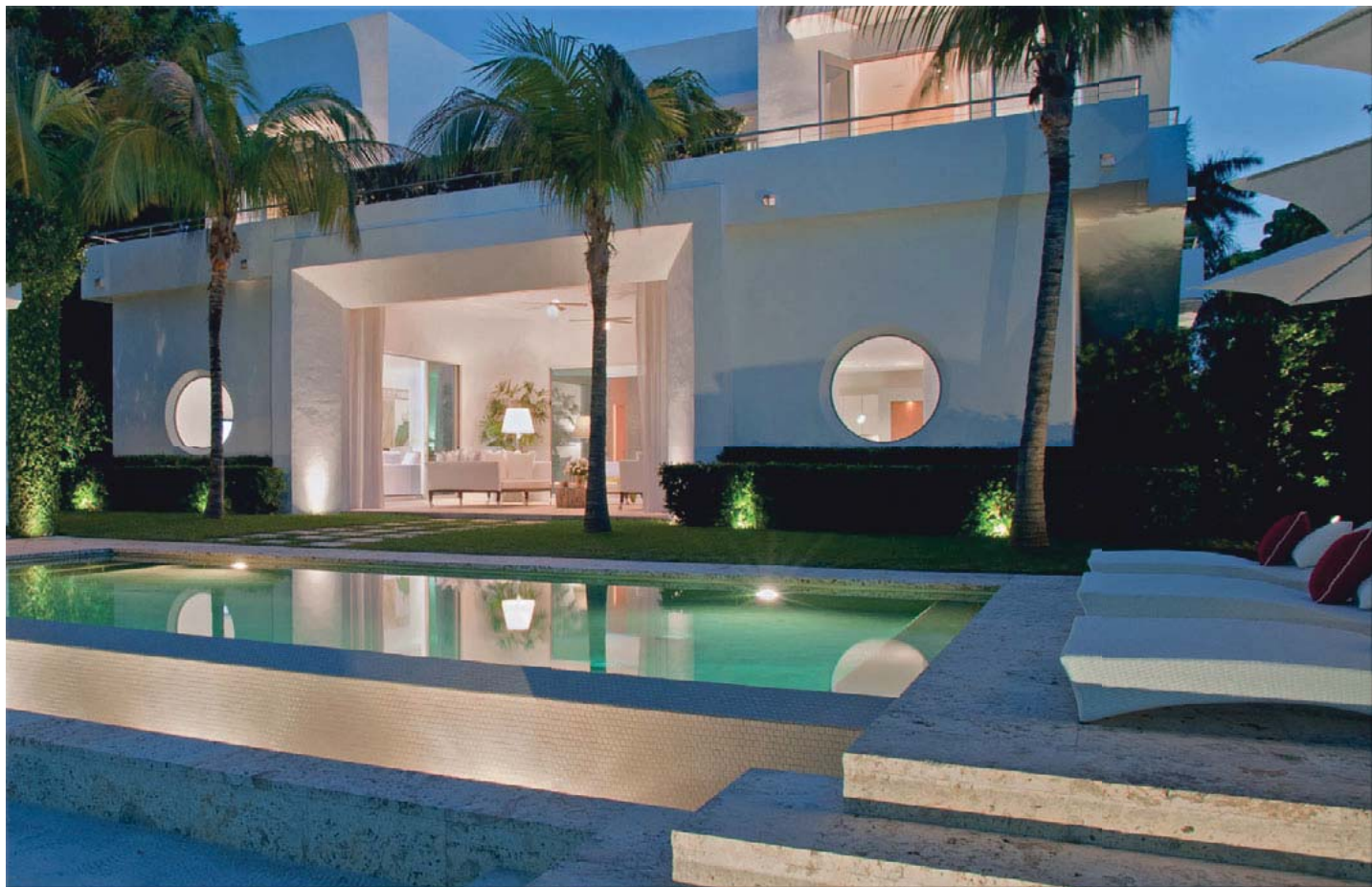
Leo 8 - LED AR					
		CLD CELL		W tot.	LED (Ta=25°C)
wattage/W	colour	peso	code		K - ølm - degrees
LED AR 111	white	2,00	22810114-00	26	3000K - 1730lm - 45°
LED AR 111	m. silver	2,00	22810174-00		



Conveyor	
black	22005864-00
For CDM-TC e AR111 lamp version.	



Anti-glare shutter	
black	22005865-00
For CDM-TC e AR111 lamp version.	



The light of the LED has no ultraviolet and infrared components.

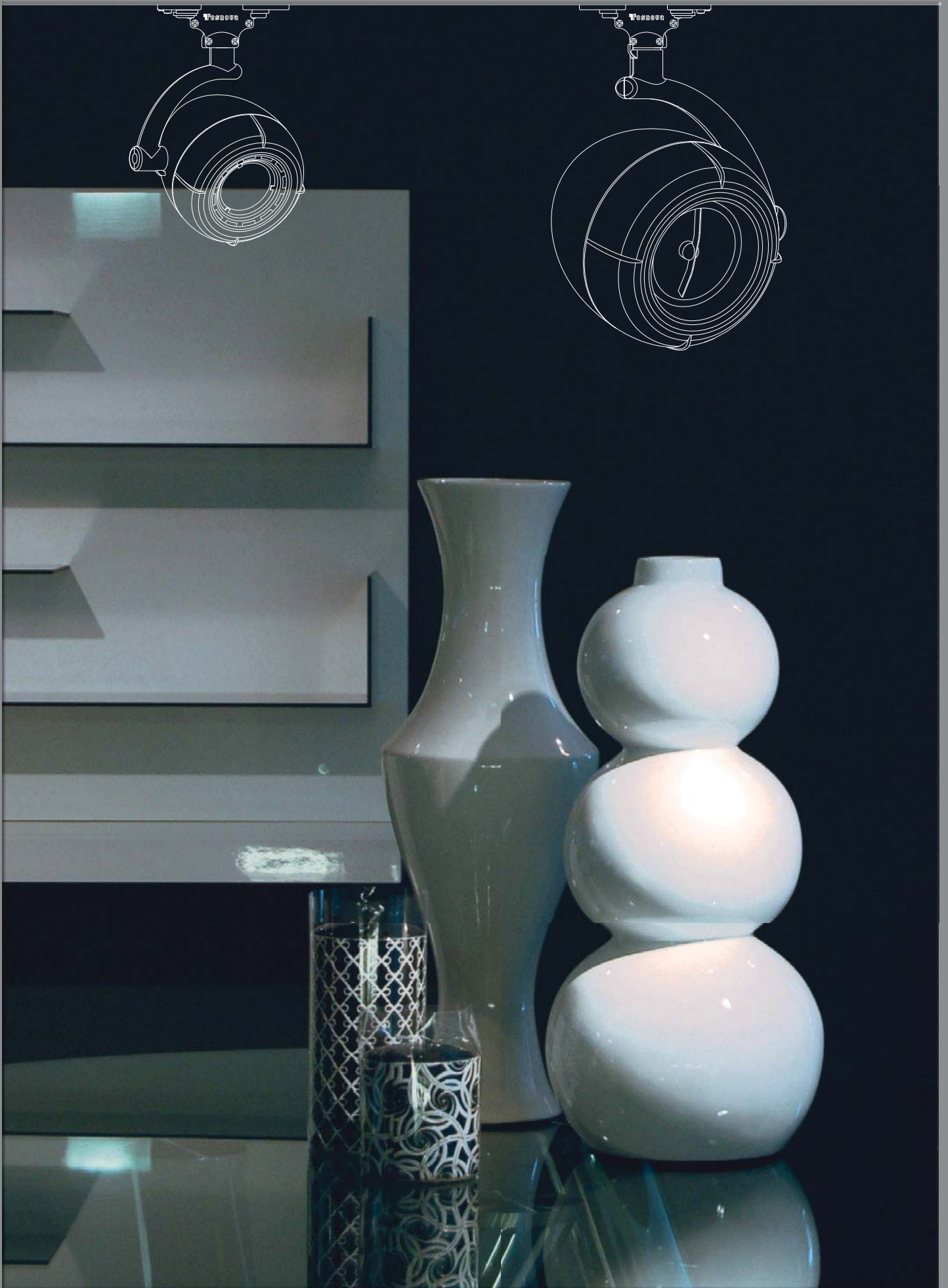
**Leo 7 - ESALED FULLCOLOR - MASTER VERSION**

		CLD CELL		W tot.	LED (Ta=25°C)
wattage/W (350mA)	colour	weight	code		degrees
ESALED Fullcolor 6x3,2W	white	1,80	22811214-00	20	40°
ESALED Fullcolor 6x3,2W	m. silver	1,80	22811274-00		

Equipped with IR control. Remote control code 22099020-00 is supplied separately.  
Slave version: code 22811219-00 (white) - 22811279-00 (m. silver)



Remote control
22099020-00
Allows switching on and off, permits programmes of colour changing, and manual control of desired colours.



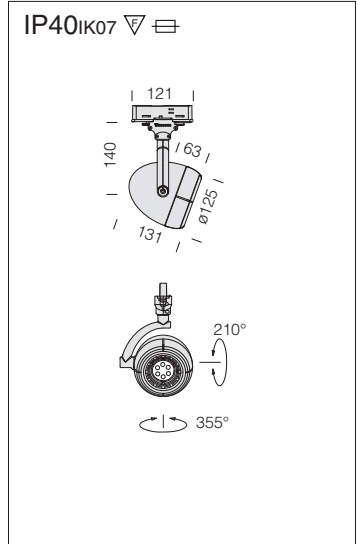
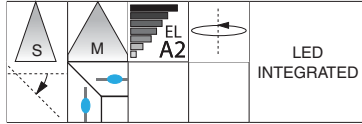


**Housing:** Die-cast aluminium with accessible frame designed with bayonet coupling to allow easy lamp maintenance.

**Coating:** Acrylic resin based UV resistant powder paint.

**Equipment:** supplied complete with adjustable bracket (on vertical axis with 355° rotation) in die-cast aluminium providing internal passage for wires.

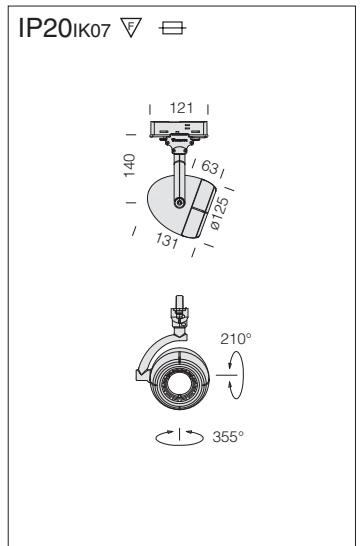
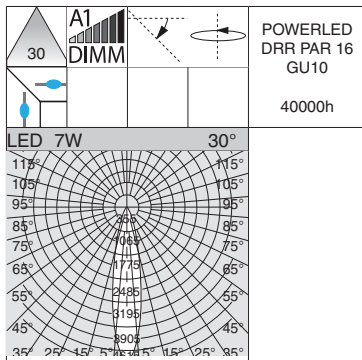
**Standards:** Products comply with EN 60598-1-CEI 34.21 standards, with level of protection in accordance with EN 60529 standards.



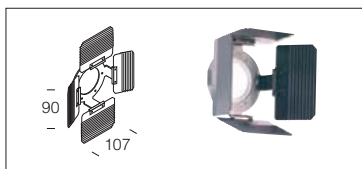
Mini Leo 2 - FORTIMO INTEGRATED					
		CLD CELL-F		LED (Ta=25°C)	
wattage/W	colour	weight	code	W tot.	Kelvin - lm - CRI - degrees
Fortimo Integrated	white	1,10	22710910-00	13	3000K - 640lm - CRI80 - 24°
Fortimo Integrated	m.silver	1,10	22710970-00		

A richiesta: apertura fascio 40°.

Mini Leo 3 - POWER LED					
		CLD CTL-F		LED (Ta=25°C)	
wattage/W (700mA)	colour	weight	code	W tot.	Kelvin - ølm (700mA) - CRI - degrees
LED white 3x2,5W	m.silver	0,90	22710974-00	8	3000K - 540lm - CRI80 - 10°
LED white 3x2,5W	m.silver	0,90	22710976-00		6000K - 645lm - CRI80 - 10°



Mini Leo 5 - LED 7W DIMM					
		CLD CELL-F		LED (Ta=25°C)	
wattage/W	colour	weight	code	W tot.	Kelvin - lm - CRI - degrees
POWER LED 7W	white	0,90	22710917-00	8	3000K - 450lm CRI80 - 30°
POWER LED 7W	m.silver	0,90	22710977-00		



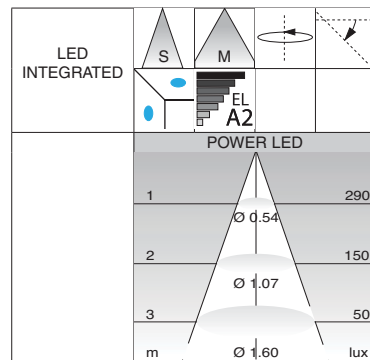
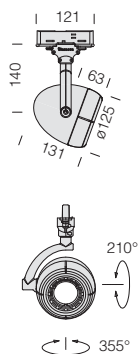
Anti-glare shutter	
black	22005228-00
In steel. For beam orientation.	



Ring	
black	22005836-00
Always use in installation of accessories for Mini Leo.	



IP20IK07 ▽



**Mini Leo 2 - FORTIMO INTEGRATED**

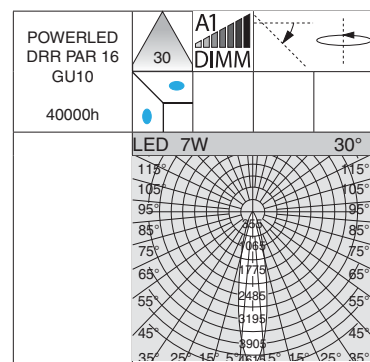
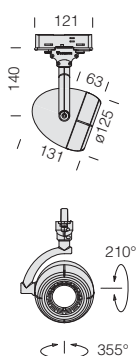
		CLD CELL		LED (Ta=25°C)	
wattage/W	colour	weight	code	W tot	Kelvin - lm - CRI - degrees
<b>Fortimo Integrated</b>	white	1,10	22810910-00	<b>13</b>	3000K - 640lm - CRI80 - 24°
<b>Fortimo Integrated</b>	m. silver	1,10	22810970-00		

A richiesta: apertura fascio 40°.

**Mini Leo 3 - POWER LED**

		CLD CTL		LED (Ta=25°C)	
wattage/W (700mA)	colour	weight	code	W tot.	Kelvin - olm (700mA) - CRI - degrees
<b>LED white 3x2,5W</b>	m. silver	0,90	22810974-00	<b>8</b>	3000K - 540lm - CRI80 - 10°
<b>LED white 3x2,5W</b>	m. silver	0,90	22810976-00		6000K - 645lm - CRI80 - 10°

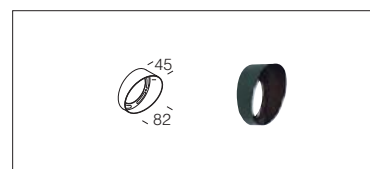
IP20IK07 ▽



**Mini Leo 5 - LED 7W DIMM**

		CLD CELL-D		LED (Ta=25°C)	
wattage/W	colour	weight	code	W tot.	Kelvin - lm - CRI - degrees
<b>POWER LED 7W</b>	white	0,90	22810917-00	<b>8</b>	3000K - 450lm
<b>POWER LED 7W</b>	m. silver	0,90	22810977-00		CRI80 - 30°

Conveyor Ø mm 82	
black	22005232-00
To convey the beam in one direction. For DICR, ALO.	







The Gi OttO system was created to satisfy the lighting needs of showrooms and every other space requiring accent lighting.

Subdued styling, versatility and adjustability of the entire system and of each individual fixture, possibility to install single or twin fixtures, make this product suitable for any architectural context.

Gi OttO is composed of few elements which create great sources of movement, as they are assembled on rotating support pivots. Various light source options available, with different types of beams. Light should be able to enhance any object in the best way possible, whether it be a work of art, a nice garment or a precious object.

Hence, a designers creativity should be supported by a system like Gi Otto, which can be used both as a single and a double system, either on track or wall mounted version, or in combination with another support, with directional spotlights mounted on swivelling pivots.

Technically speaking, this is called accent lighting, which refers to a special use of light that infuses life into the object lit, adding a personal touch to it. The Gi Otto system can generate wonder and emotion-stirring light in museums, shop windows or showrooms, by also exploiting new LED technologies.

The range of Gi Otto spotlights blends in well with elegant and prestigious contexts or detailed interiors with style and simplicity, relying on the designers' creativity, on the quality of the material used, and based on the company's extensive experience that is fully aware of a designer's needs.



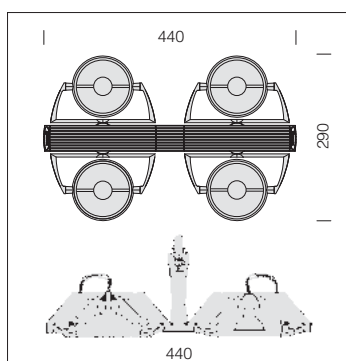
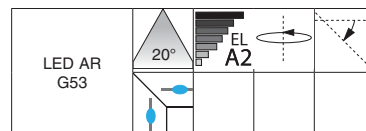
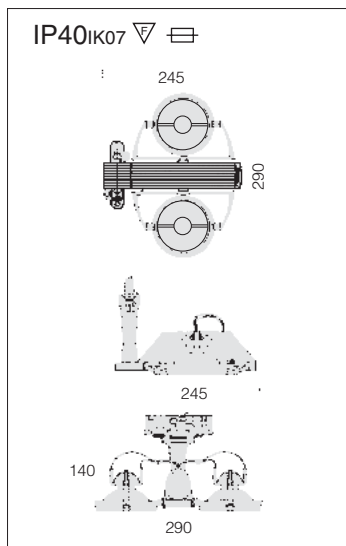
Track-mounted adjustable-angle GiOtto with Omnitrack adapter

**Housing:** Die-cast zamak, with adjustable-angle bows and lamp-holders.

**Coating:** Fluid-coated with a UV-stabilised acrylic-resin paint, after a phosphochromate treatment.

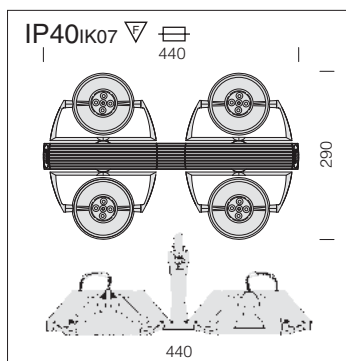
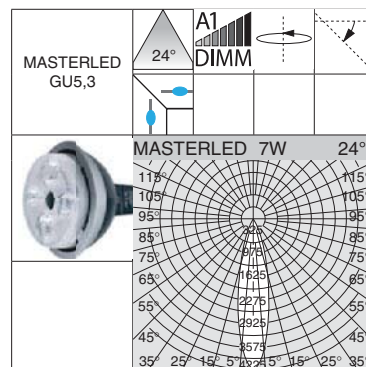
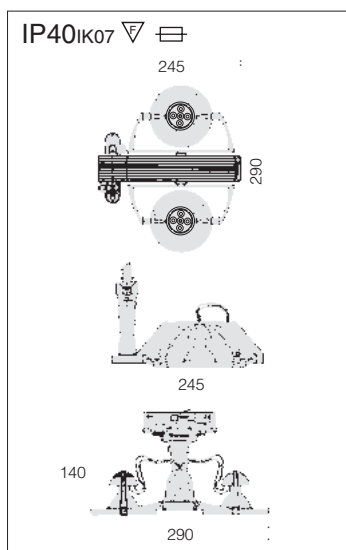
**Regulations:** Manufactured in accordance with EN60598-CEI 34-21 standards. Degree of protection in accordance with EN60529 standards.





**Gi Otto - Comfort LED**

		CLD CELL-F			LED (Ta=25°C)	
wattage/W	colour	weight	code	W tot.	Kelvin - ølm - CRI - degrees	
<b>LED AR 2x13W</b>	m. silver	1.50	22079372-00	<b>28</b>	3000K - 2x710lm - CRI80 - 20°	
<b>LED AR 4x13W</b>	m. silver	2.50	22079374-00	<b>54</b>	3000K - 4x710lm - CRI80 - 20°	



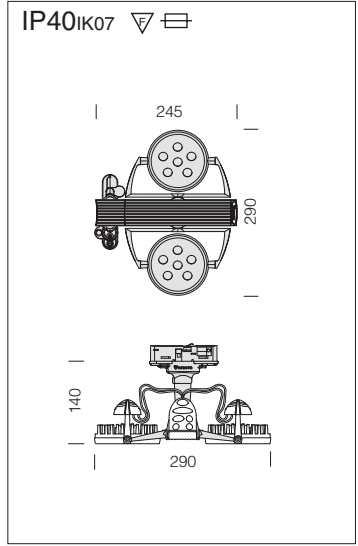
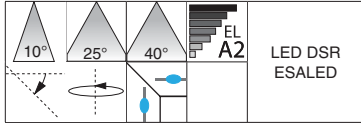
**Gi Otto - MASTERLED DIMM**

		CLD CELL-F-D			LED (Ta=25°C)	
wattage/W	colour	weight	code	W tot.	Kelvin - cd - CRI - degrees	
<b>MASTERLED 2x7W</b>	m. silver	2,50	22078075-00	<b>15</b>	3000K - 2x1550cd - CRI80 - 24°	
<b>MASTERLED 2x10W</b>	m. silver	2,50	22078077-00	<b>21</b>	3000K - 2x1920cd - CRI80 - 24°	

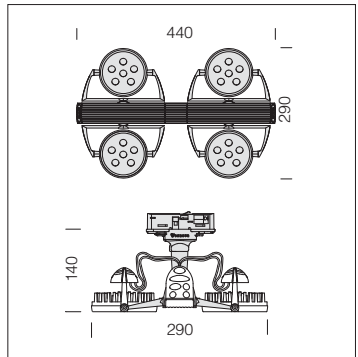
On request: 15° and 36° version

**Gi Otto - MASTERLED DIMM**

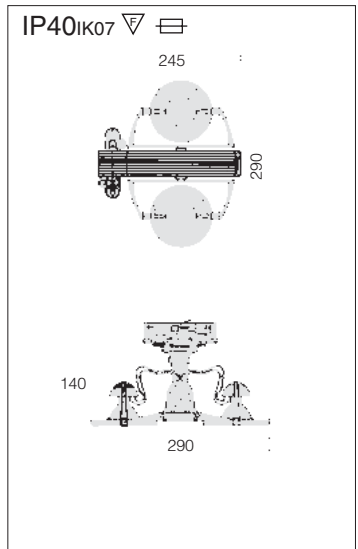
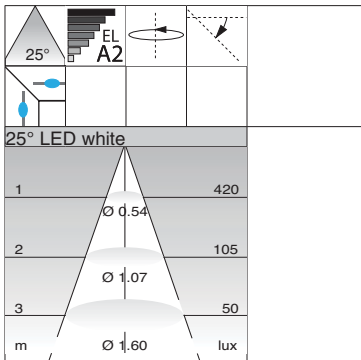
		CLD CELL-F-D			LED (Ta=25°C)	
wattage/W	colour	weight	code	W tot.	Kelvin - cd - CRI - degrees	
<b>MASTERLED 4x7W</b>	m. silver	2,50	22079173-00	<b>29</b>	3000K - 4x1550cd - CRI80 - 24°	
<b>MASTERLED 4x10W</b>	m. silver	2,50	22079176-00	<b>41</b>	3000K - 4x1920cd - CRI80 - 24°	



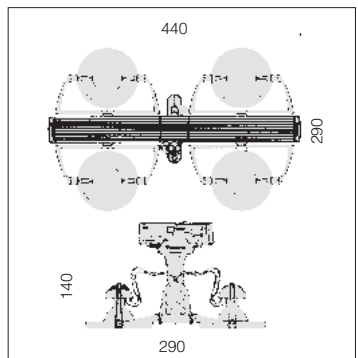
Gi Otto ESALED					
		CLD CELL-F		LED (Ta=25°C)	
wattage/W (850mA)	colour	weight	code	W tot	Kelvin - ølm(850mA) - degrees
ESALED white 2x16W	m. silver	1,50	22079170-00	34	4000K - 2x1500lm - 10°
ESALED white 2x16W	m. silver	1,50	22079171-00		4000K - 2x1500lm - 25°
ESALED white 2x16W	m. silver	1,50	22079172-00		4000K - 2x1500lm - 40°



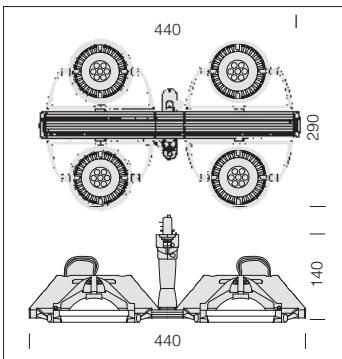
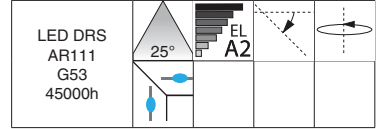
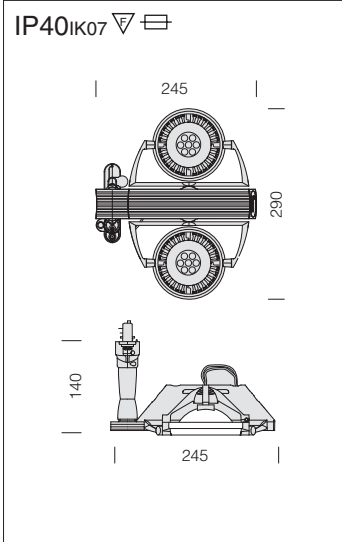
Gi Otto ESALED					
		CLD CELL-F		LED (Ta=25°C)	
wattage/W (850mA)	colour	weight	code	W tot	Kelvin - ølm(850mA) - degrees
ESALED white 4x16W	m. silver	2,50	22079179-00	68	4000K - 4x1500lm - 10°
ESALED white 4x16W	m. silver	2,50	22079174-00		4000K - 4x1500lm - 25°
ESALED white 4x16W	m. silver	2,50	22079175-00		4000K - 4x1500lm - 40°



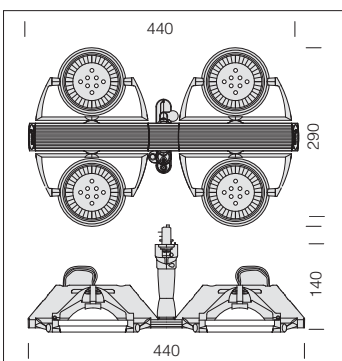
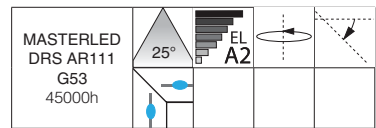
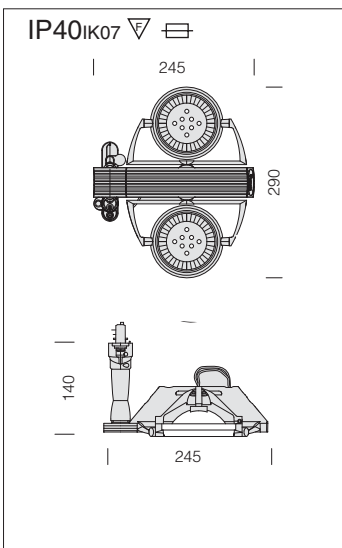
Gi Otto - POWER LED					
		CLD CELL-F		LED (Ta=25°C)	
wattage/W (500mA)	colour	weight	code	W tot	Kelvin - ølm(500mA) - degrees
LED white 2x4,8W	m. silver	1,50	22078272-00	11	3000K - 2x450lm - 25°
LED white 2x4,8W	m. silver	1,50	22078271-00		4000K - 2x570lm - 25°
LED white 2x4,8W	m. silver	1,50	22078270-00		6000K - 2x570lm - 25°



Gi Otto - POWER LED					
		CLD CELL-F		LED (Ta=25°C)	
wattage/W (500mA)	colour	weight	code	W tot	Kelvin - ølm(500mA) - degrees
LED white 4x4,8W	m. silver	2,50	22078475-00	21	3000K - 4x450lm - 25°
LED white 4x4,8W	m. silver	2,50	22078476-00		4000K - 4x570lm - 25°
LED white 4x4,8W	m. silver	2,50	22078477-00		6000K - 4x570lm - 25°



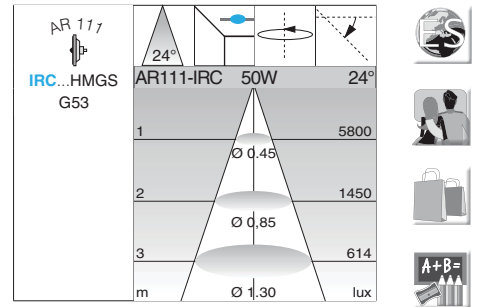
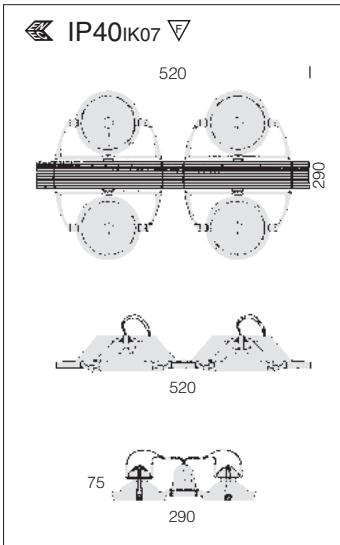
Gi Otto LED AR111					
		CLD CELL-F		LED (Ta=25°C)	
wattage/W	colour	weight	code	W tot	Kelvin - lm - CRI - degrees
LED 2xAR111 12W	m. silver	2,00	22079178-00	25	3000K - 550lm - CRI82 - 25°
LED 4xAR111 12W	m. silver	2,60	22079177-00	49	



Gi Otto - MASTERLED AR111					
		CLD CELL-F		LED (Ta=25°C)	
wattage/W	colour	weight	code	W tot	Kelvin - cd - lm - CRI - degrees
MASTERLED 2xAR111 10W	m. silver	1,50	22078576-00	21	3000K - 2x3370cd - 2x578lm CRI82 - 25°
MASTERLED 2xAR111 15W	m. silver	1,50	22078670-00	31	3000K - 2x4240cd - 2x745lm - CRI82 - 25°
MASTERLED 4xAR111 10W	m. silver	2,60	22078570-00	42	3000K - 4x3370cd - 4x578lm CRI82- 25°
MASTERLED 4xAR111 15W	m. silver	2,60	22078671-00	62	3000K - 4x4240cd - 4x745lm - CRI82 - 25°

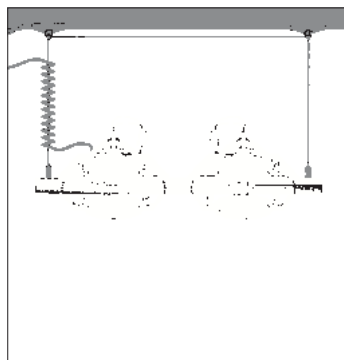
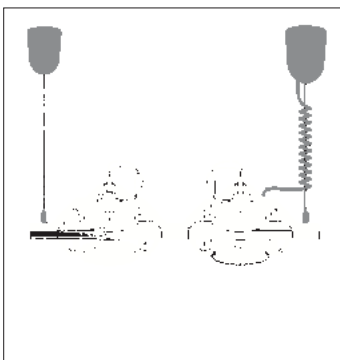






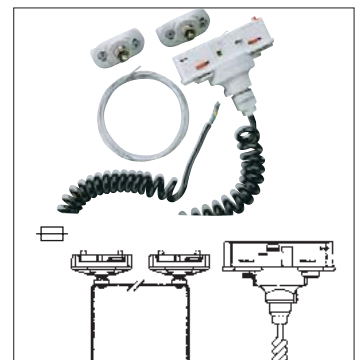
Gi Otto - AR111 DIMM				
		CTL		Lamps (Ta=25°C)
wattage/W	colour	weight	code	Kelvin - h - cd - degrees
AR111-IRC 4x50	m. silver	2,70	22076071-00	3000K - 4000h - 4x5500cd - 24°

Fitted to be installed on track using the kit acc. 22005806/5886/5876-00.  
With dimming transformer. AR-IRC lamp = "ES" Energy saver



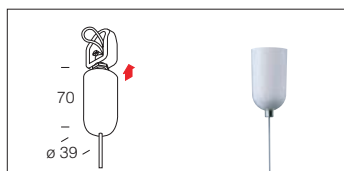
KIT for adjustable suspension	
white	22005886-00
grey	22005876-00
black	22005806-00

Including 2 mechanical adapters, 1 electrical adapter, wire, coiled cable and millimetre adjustment.



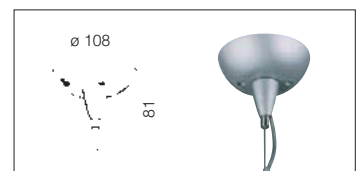
Ceiling suspension	
white	22003186-00
black	22003106-00

Includes steel wire (l=1.5 m) with a millimetre adjustment device. Max load: 20 kg.



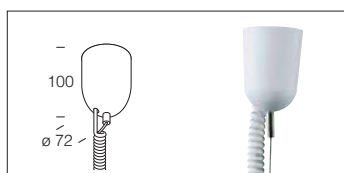
Powered ceiling suspension	
m. silver	22003173-00

Includes steel wire with millimetre adjustment device and supply cable. Max load 20 kg. Length 100 cm.



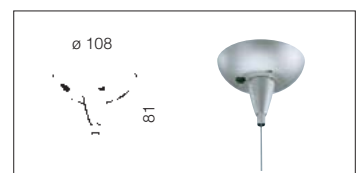
Powered ceiling suspension	
white	22003187-00
black	22003107-00

With steel wire (l=1.5m) and adjustment device, power cord. Max load: 20 kg.



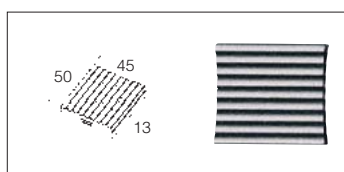
Ceiling suspension	
100 cm	22003171-00

Includes steel wire with millimetre adjustment device. Max load 20 kg.



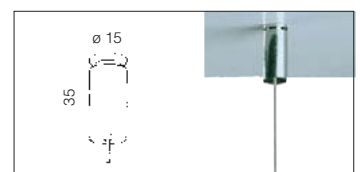
Alignment coupler	
m. silver	22005871-00

Coupler for visually and mechanically aligning one or more track- or suspension-mounted Gi Otto.



Ceiling suspension	
nickel-plated	22003166-00

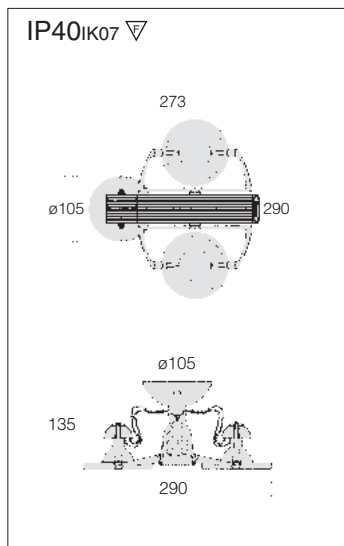
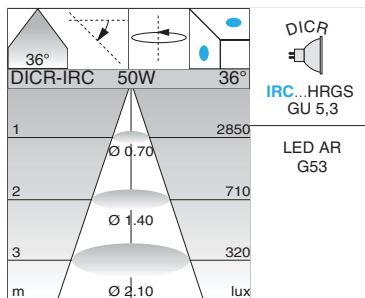
Hanger with wire (l=1,75m) with a millimetre adjustable device. Max load: 20 Kg.





LED

new



Gi Otto - COMFORT LED					
		CLD CELL		LED (Ta=25°C)	
wattage/W	colour	weight	code	W tot.	Kelvin - ølm - CRI - degrees
LED AR 2x13W	m. silver	1.50	22079375-00	28	3000K - 2x710lm - CRI80 - 20°
LED AR 4x13W	m. silver	2.50	22079376-00	54	3000K - 4x710lm - CRI80 - 20°

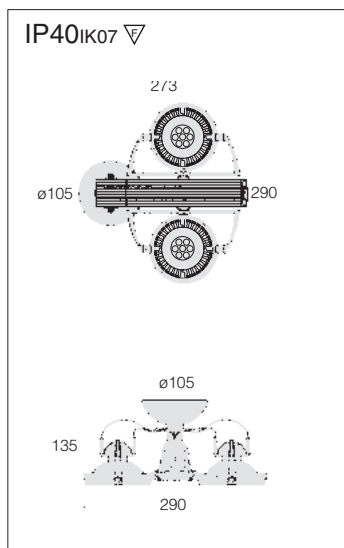
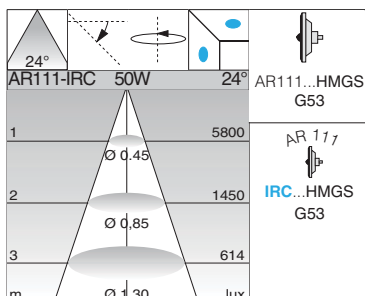
Gi Otto - DICR					
		CTL		Lamps (Ta=25°C)	
wattage/W	colour	weight	code	Kelvin - h - cd - degrees	
DICR-IRC 2x35	m. silver	1,50	22074076-00	3000K - 5000h - 2x2200cd - 36°	
DICR-IRC 2x50	m. silver	1,50	22074070-00	3000K - 5000h - 2x2850cd - 36°	

IRC lamp = "ES" Energy saver



LED

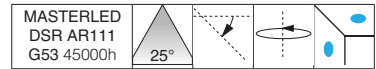
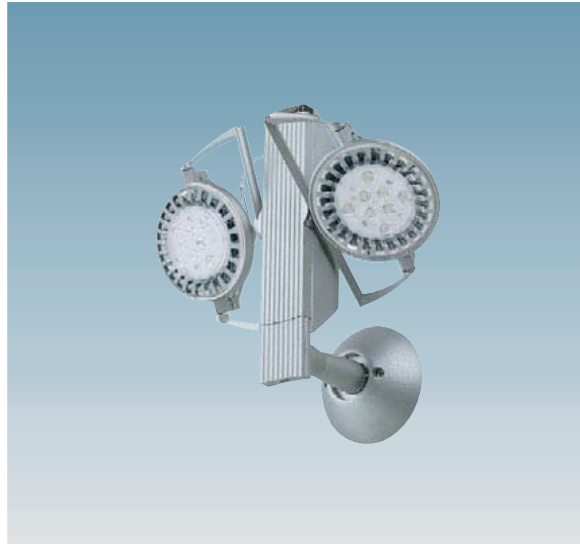
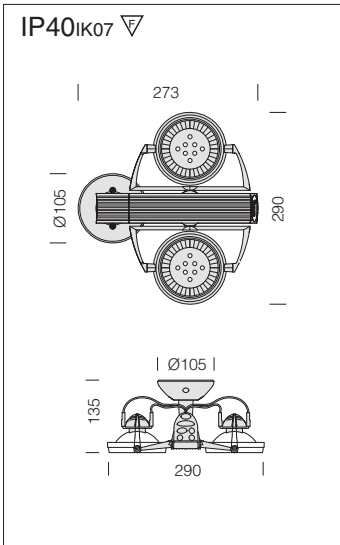
new



Gi Otto - LED AR111					
		CLD CELL		LED (Ta=25°C)	
wattage/W	colour	weight	code	W tot.	Kelvin - ølm - Ra - degrees
LED 2xAR111	m. silver	1,60	22074270-00	26	3000K - 2x550lm - CRI82 - 24°

Gi Otto - AR111					
		CTL		Lamps (Ta=25°C)	
wattage/W	colour	weight	code	Kelvin - h - cd - Ra - degrees	
AR111-IRC 2x35	m. silver	1,60	22074077-00	3000K - 4000h - 2x4200cd - 24°	
AR111-IRC 2x50	m. silver	1,60	22074071-00	3000K - 4000h - 2x5500cd - 24°	
AR111 2x75	m. silver	1,60	22074073-00	3000K - 3000h - 2x5300cd - 24°	

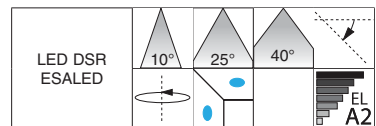
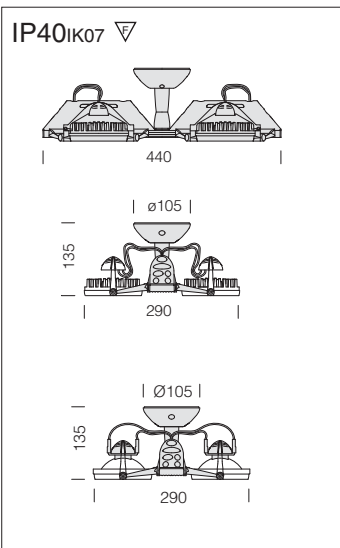
IRC lamp = "ES" Energy saver



Gi Otto - MASTERLED AR111					
		CLD CELL		LED (Ta=25°C)	
wattage/W (700mA)	colour	weight	code	W tot.	Kelvin - cd-ølm(700mA)- CRI - degrees
MASTERLED 2xAR111 10W	m. silver	1,50	22072077-00	21	3000K - 2x3370cd 2x578lm - CRI82 - 25°
MASTERLED 2xAR111 15W	m. silver	1,50	22078672-00	31	3000K - 2x4240cd 2x745lm - CRI82 - 25°



new

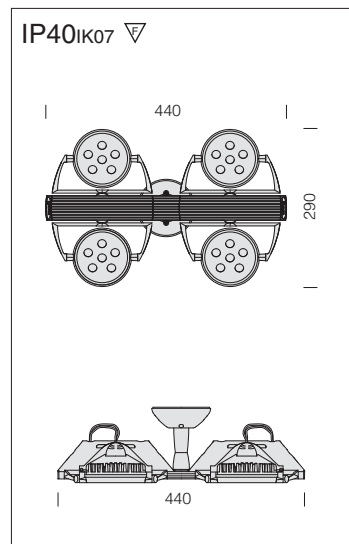
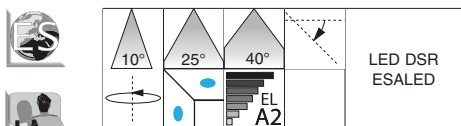


Equipped with high efficiency Esaled lamps. LED lights have no ultraviolet and infrared components.

Gi Otto ESALED					
		CLD CELL		LED (Ta=25°C)	
wattage/W (850mA)	colour	weight	code	W tot.	Kelvin - ølm(850mA) - degrees
ESALED white 2x16W	m. silver	1,50	22079270-00	34	4000K - 2x1500lm - 10°
ESALED white 2x16W	m. silver	1,50	22079271-00		4000K - 2x1500lm - 25°
ESALED white 2x16W	m. silver	1,50	22079272-00		4000K - 2x1500lm - 40°



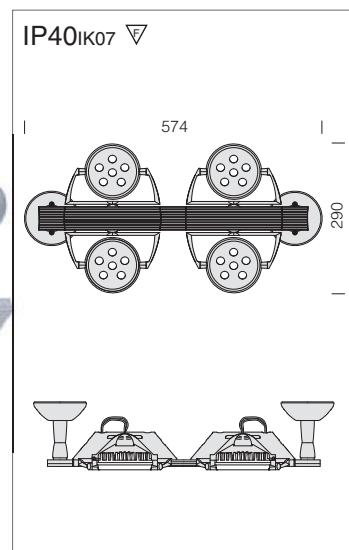
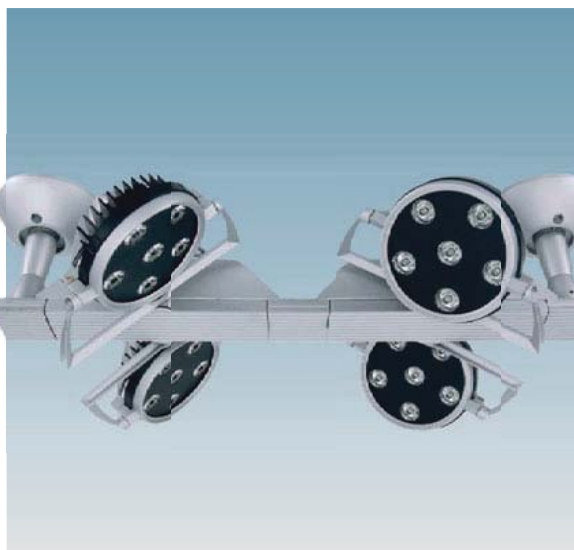
new



- 
- 
- 
- 
- 

Equipped with high efficiency Esaled lamps. LED lights have no ultraviolet and infrared components.

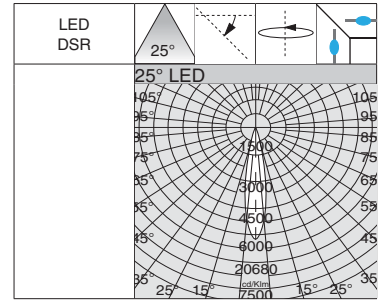
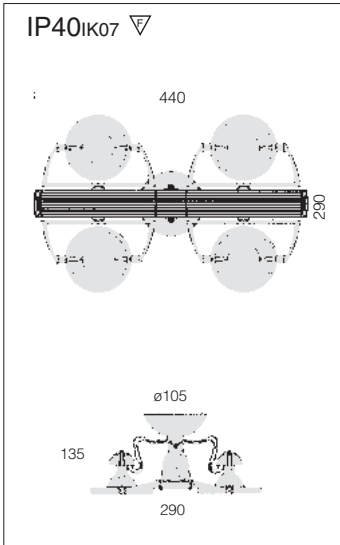
		Gi Otto ESALED				
		CLD CELL			LED (Ta=25°C)	
wattage/W (850mA)	colour	weight	code	W tot	Kelvin - ølm(850mA) - degrees	
ESALED white 4x16W	m. silver	2,70	22079273-00	68	4000K - 4x1500lm - 10°	
ESALED white 4x16W	m. silver	2,70	22079274-00		4000K - 4x1500lm - 25°	
ESALED white 4x16W	m. silver	2,70	22079275-00		4000K - 4x1500lm - 40°	



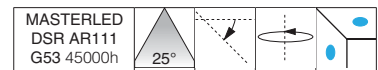
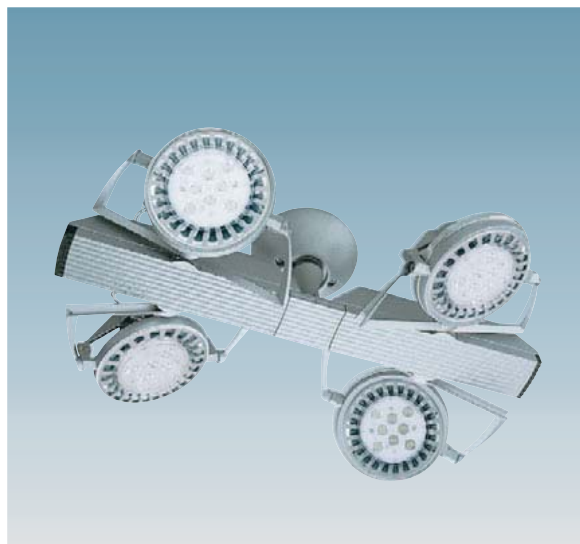
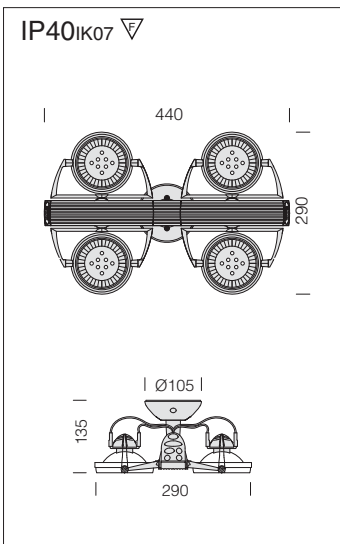
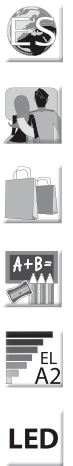
Equipped with high efficiency Esaled lamps. LED lights have no ultraviolet and infrared components.

		Gi Otto - ESALED				
		CLD CELL			LED (Ta=25°C)	
wattage/W (850mA)	colour	weight	code	W tot	Kelvin - ølm(850mA) - degrees	
ESALED white 4x16W	m. silver.	2,70	22079276-00	68	4000K - 4x1500lm - 25°	

- 
- 
- 
- 
-



Gi OttO - POWER LED					
		CLD CTL		LED (Ta=25°C)	
wattage/W (500mA)	colour	weight	code	W tot	Kelvin - ølm (500mA) - degrees
LED white 4x4,8W	m. silver	2,70	22078573-00	21	3000K - 4x450lm - 25°
LED white 4x4,8W	m. silver	2,70	22078572-00		4000K - 4x570lm - 25°
LED white 4x4,8W	m. silver	2,70	22078571-00		6000K - 4x570lm - 25°

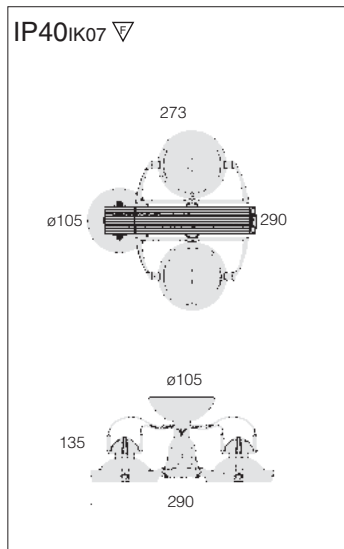


Gi OttO - MASTERLED AR111					
		CLD CELL		LED (Ta=25°C)	
wattage/W	colour	weight	code	W tot.	Kelvin - cd - ølm(700mA) - CRI-degrees
MASTERLED 4xAR111 10W	m. silver	2,70	22078575-00	42	3000K - 3370cd 578lm - CRI82 - 25°
MASTERLED 4xAR111 15W	m. silver	2,70	22078673-00	62	3000K - 4240cd 745lm - CRI82 - 25°





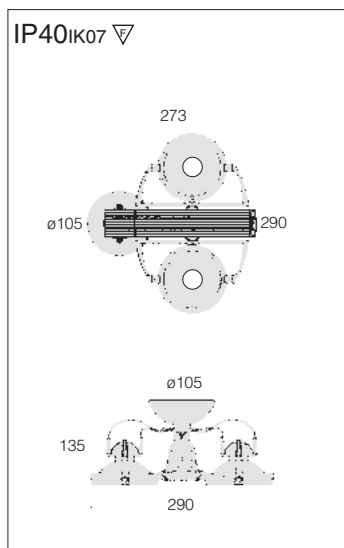
Comfort LED AR111		
1	∅ 0,28	1310
2	∅ 0,56	328
3	∅ 0,84	146
m		lux



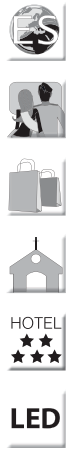
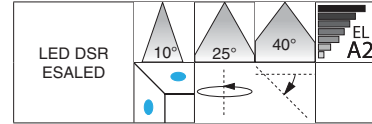
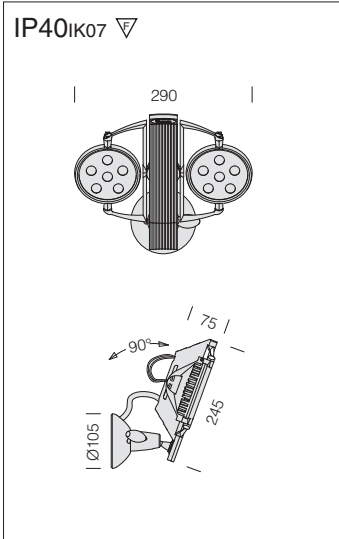
Gi Otto - 2xAR111 Comfort LED					
		CLD CELL			LED (Ta=25°C)
wattage/W	colour	weight	code	W tot	Kelvin - ∅lm - CRI - degrees
Comfort LED AR 2X13W	m. silver	1,60	22073077-00	28	3000K - 2x710lm - CRI80 - 25°



LED Comfort		
1	∅ 0,34	3563
2	∅ 0,68	891
3	∅ 1,02	396
m		lux

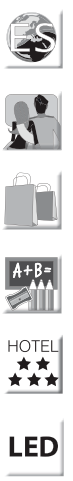
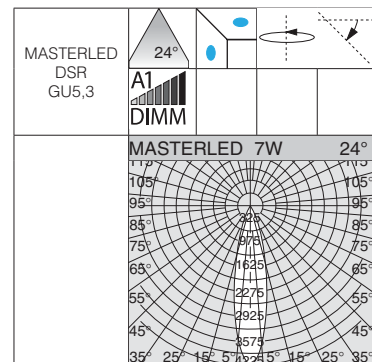
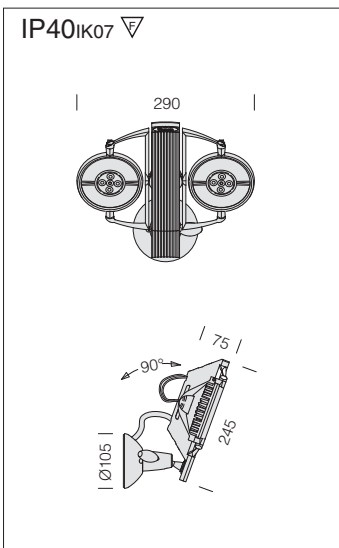


Gi Otto - 2x LED Comfort					
		CLD CELL			LED (Ta=25°C)
wattage/W	colour	weight	code	W tot	Kelvin - ∅lm - CRI - degrees
LED Comfort 2x13W	m. silver	1,60	22073076-00	26	4000K - 2x780lm - CRI80 - 25°



Equipped with high efficiency EsaLed lamps. LED lights have no ultraviolet and infrared components.

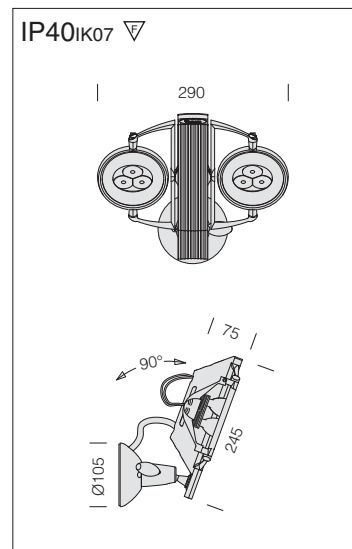
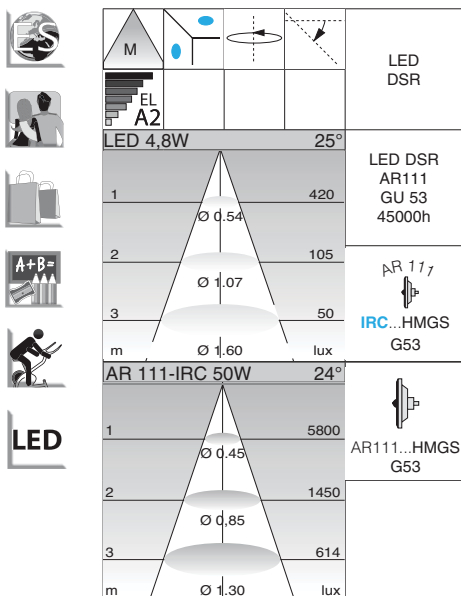
Gi OttO ESALED					
		CLD CELL			LED (Ta=25°C)
wattage/W (850mA)	colour	weight	code	W tot.	Kelvin - ølm(850mA) - degrees
<b>ESALED white 2x16W</b>	m. silver	1,50	22078273-00	<b>34</b>	4000K - 2x1500lm - 10°
<b>ESALED white 2x16W</b>	m. silver	1,50	22078278-00		4000K - 2x1500lm - 25°
<b>ESALED white 2x16W</b>	m. silver	1,50	22078279-00		4000K - 2x1500lm - 40°



**MASTERLED:** particularly suited for public spaces such as reception halls, entrance lobbies, corridors, stairways and bathrooms where lights stay on all day, **40,000** hours of lifespan, and 80% energy saving compared to ALO 35W.

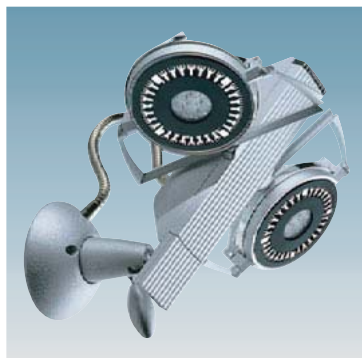
Gi OttO MASTERLED					
		CLD CELL-D			LED (Ta=25°C)
wattage/W 12V	colour	weight	code	W tot.	Kelvin - cd (12V) - degrees
<b>MASTERLED 2x7W</b>	m. silver	1,50	22072078-00	<b>15</b>	3000K - 2x1550cd - 24°
<b>MASTERLED 2x10W</b>	m. silver	1,50	22072079-00	<b>21</b>	3000K - 2x1920cd - 24°

On request: 15° and 36° version



LED

Gi Otto - POWER LED					
		CLD CELL		LED (Ta=25°C)	
wattage/W (500mA)	colour	weight	code	W tot	Kelvin - ølm(500mA) - degrees
LED white 2x4,8W	m. silver	1,50	22078275-00	11	6000K - 2x570lm - 25°
LED white 2x4,8W	m. silver	1,50	22078276-00		4000K - 2x570lm - 25°
LED white 2x4,8W	m. silver	1,50	22078277-00		3000K - 2x450lm - 25°

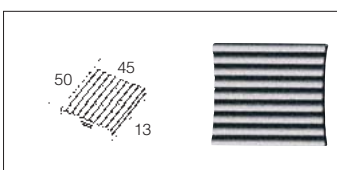


Gi Otto - LED AR111 - 220-240V					
		CLD CELL		LED (Ta=25°C)	
wattage/W	colour	weight	code	W tot	Kelvin - h - ølm - CRI - degrees
LED AR111	m. silver	1,90	22072075-00	22	3000K - 45000h - 2x550lm - CRI82 - 25°



Gi Otto - 2xAR111					
		CTL		Lamps (Ta=25°C)	
wattage/W	colour	weight	code	Kelvin - h - cd - Ra - degrees	
AR111-IRC 2x35	m. silver	1,90	22072073-00	3000K - 5000h - 2x4200cd - 24°	
AR111-IRC 2x50	m. silver	1,90	22072071-00	3000K - 4000h - 2x5500cd - 24°	
AR111 2x75	m. silver	1,90	22072074-00	3000K - 3000h - 2x5300cd - 24°	

Versions equipped with dimming transformer. IRC lamp = "ES" Energy saver



Alignment joint	
m. silver	22005871-00

Joint used to line up one or more Gi Otto mounted on tracks or suspended for mechanical or aesthetic purposes.  
**Accessory for ALL Gi Otto products.**



IP40IK07

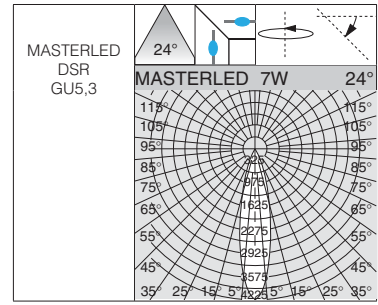
290

75

90°

480

ø105



**MASTERLED:** particularly suited for public spaces such as reception halls, entrance lobbies, corridors, stairways and bathrooms where lights stay on all day, **40,000** hours of lifespan, and 80% energy saving compared to ALO 35W.



Gi Otto - MASTERLED DIMM					
		CLD CELL-D		LED (Ta=25°C)	
wattage/W 12V	colour	weight	code	W tot	Kelvin - cd (12V) - degrees
MASTERLED 4x7W	m. silver	3,30	22073078-00	29	3000K - 4x1550cd - 24°
MASTERLED 4x10W	m. silver	3,30	22073079-00	41	3000K - 4x1920cd - 24°

On request: 15° and 36° version



Special filters	
Fabrics	22005888-00

Special filters to enhance goods on display.  
Only for versions with DICR lamps.



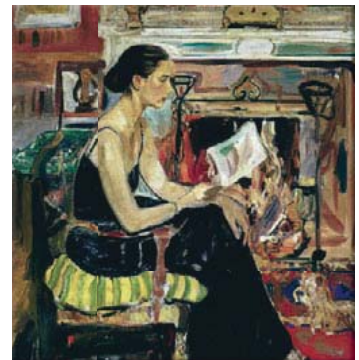
Special filters	
Jewellery shop	22005889-00

Special filters to enhance goods on display.  
Only for versions with DICR lamps.



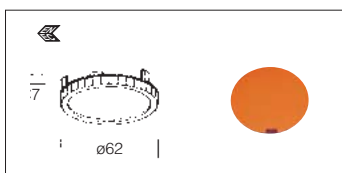
Special filters	
Crystal shop	22005890-00

Special filters to enhance goods on display.  
Only for versions with DICR lamps.



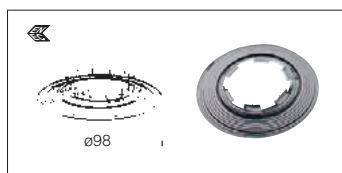
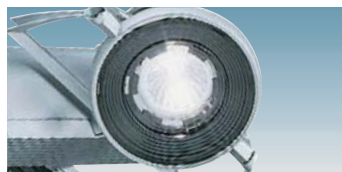
Mesh	
for AR111	22005895-00

Ideal as protection in artwork lighting.  
For versions with AR111 lamps.



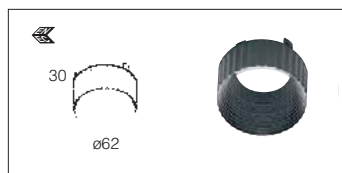
Coloured filters	
Blue	22005896-00
Red	22005897-00
Yellow	22005898-00
Green	22005899-00

Coloured glass with dichroic treatment.



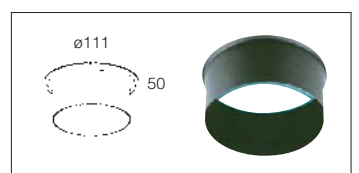
Finishing ring	
for DICR	22005891-00

Already mounted on the DICR, CTL-wired. Versions and on the dichroic lamps sold separately. To be used for other lighting choices.  
**Accessory for ALL Gi Otto products.**



Conveyor	
for DICR	22005892-00

Conveys the light beam. Only for versions with DICR lamp.

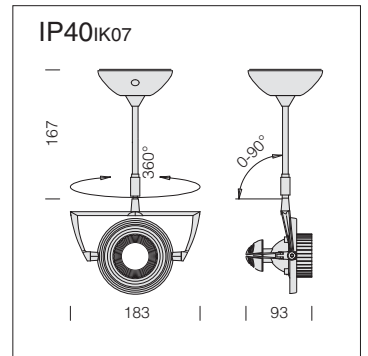
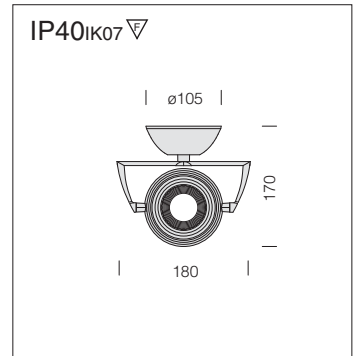
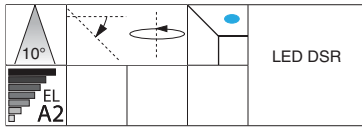


Conveyor	
for AR111	22005894-00

Conveys the light beam. Only for versions with AR111 lamp.



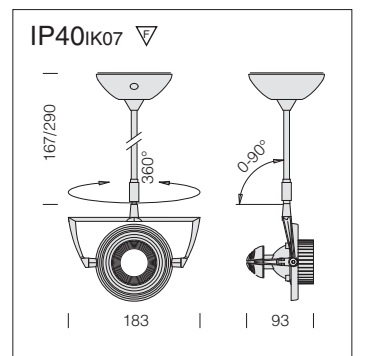
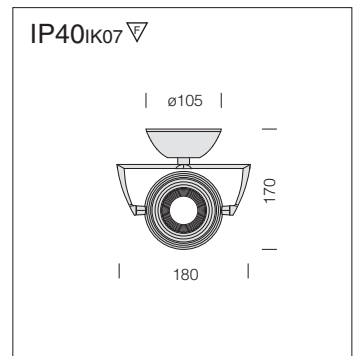
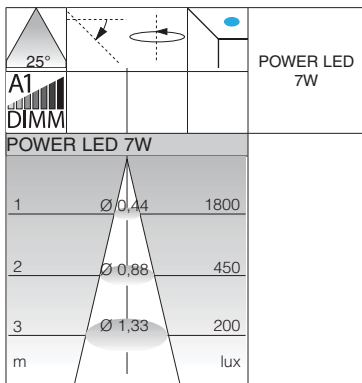
LED



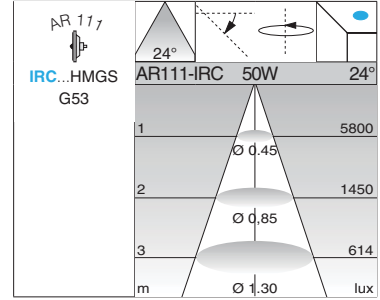
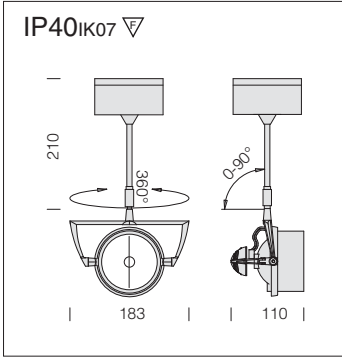
Gi Otto - POWER LED						
		CLD CELL			LED (Ta=25°C)	
wattage/W	colour	weight	code		W tot.	Kelvin - cd - degrees
LED white 2,5	m. silver	0,50	22074080-00	short	2,5	5000K - 120 cd - 10°
LED white 2,5	m. silver	0,50	22074081-00	medium		



LED

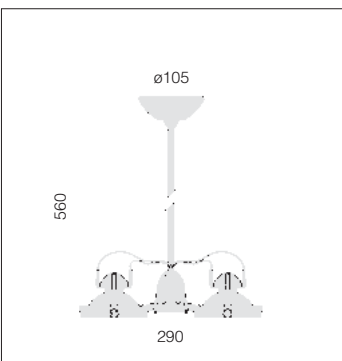
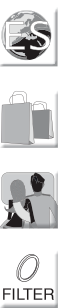
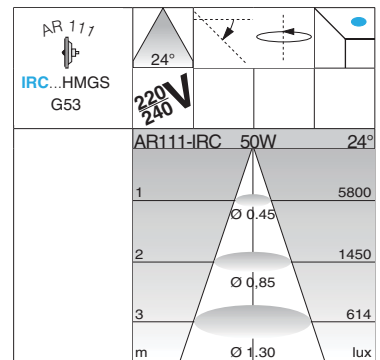
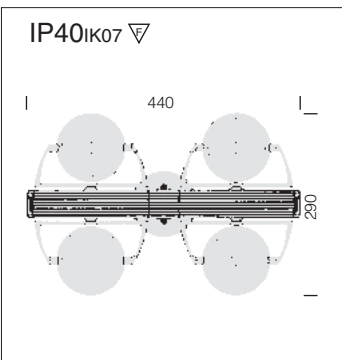


Gi Otto POWER LED DIMM - 220-240V						
		CLD CELL-D			LED (Ta=25°C)	
wattage/W	colour	weight	code		W tot.	Kelvin - lumen - degrés
POWER LED 5W	m. silver	0,50	22074083-00	short	7	3000K - 450lm - 25°
POWER LED 5W	m. silver	0,50	22074084-00	medium		
POWER LED 5W	m. silver	0,50	22074085-00	long		



Gi Otto				
		CTL		Lamps (Ta=25°C)
wattage/W	colour	weight	code	Kelvin - h - cd - degrees
AR111-IRC 50	m. silver	0,90	22074082-00	3000K - 4000h - 5500cd - 24°

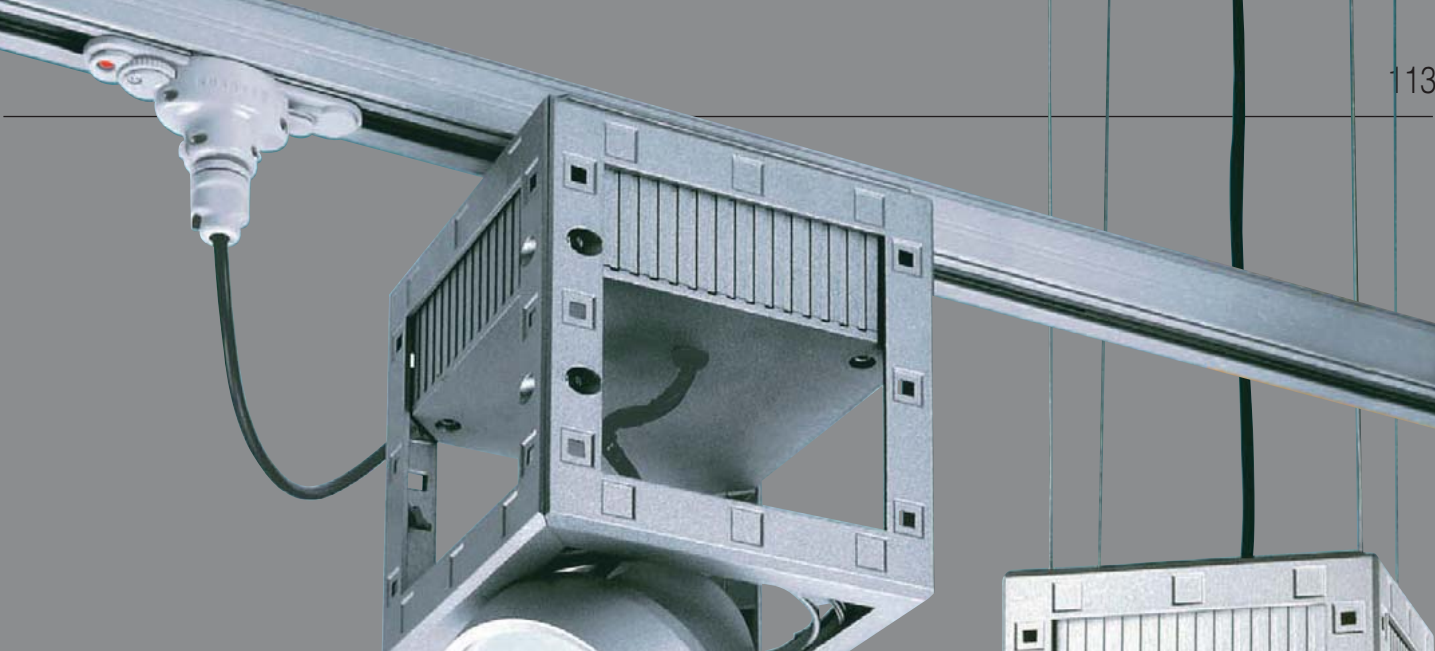
Supplied with a conveyor.



Gi Otto AR111 - long rods				
		CTL		Lamps (Ta=25°C)
wattage/W	colour	weight	code	Kelvin - h - cd - degrees
AR111-IRC 4x50	m. silver	2,70	22074075-00	3000K - 4000h - 4x5500cd - 24°

Ideal for high ceilings or above conference tables.





Compendio consists of three separate elements: box, cube and spotlight, each with its own function.

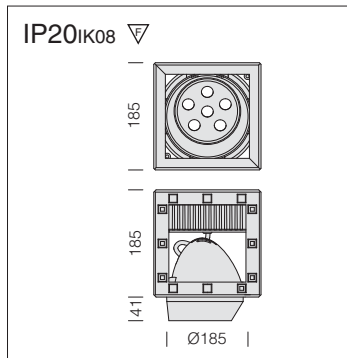
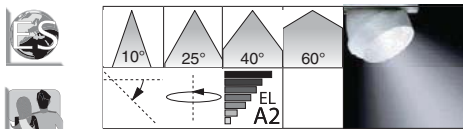
The engineering choice to separate these three parts is prompted by a functional as well as an aesthetic reason, as this allows the generated temperature to be reduced, increasing the efficiency of the luminous source.

The box containing the wiring is composed of a lid and a housing equipped with a removable tray for electromagnetic and electronic wiring with CDM-T (35W - 70W - 150W) and AR111 (50W-75W) powers.

The cube constitutes the composition module; a simple joining and fastening system enables the building of luminous architectures with diverse geometric systems.

The smooth, asymmetric spotlight swivels around its central axis and slides towards the outside for easy beam aiming; the lamp can be replaced very easily from the front of the fixture, by click-releasing the frame.

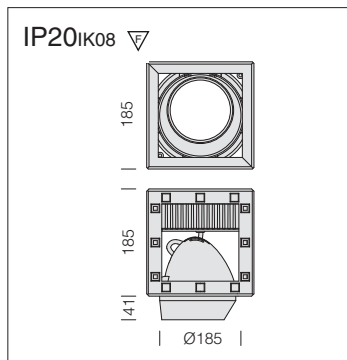
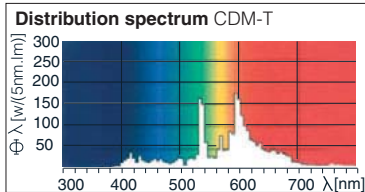
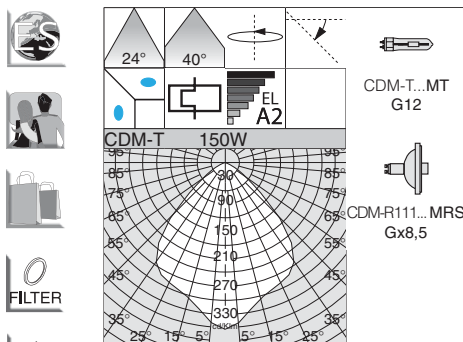
Compendio combines functionality and aesthetics, for a single objective "user flexibility".



**LED:** high efficiency Esaled type, with heat sink, longer working life, CRI 80 index.

Compendio - ESALED					
		CLD CELL			LED (Ta=25°C)
wattage/W 1050mA	colour	weight	code	W tot.	K - ølm (1050mA) - CRI - degrees
ESALED 18W	m. silver	3,70	22281274-00	20	3000K - 1800lm - CRI80 - 10°
ESALED 18W	m. silver	3,70	22281271-00		3000K - 1800lm - CRI80 - 25°
ESALED 18W	m. silver	3,70	22281272-00		3000K - 1800lm - CRI80 - 40°
ESALED 18W	m. silver	3,70	22281273-00		3000K - 1800lm - CRI80 - 60°

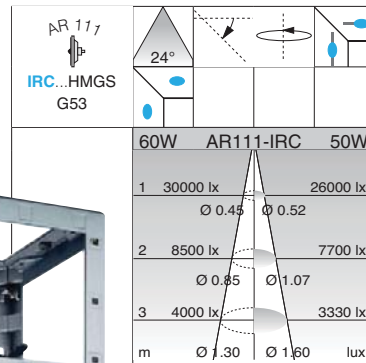
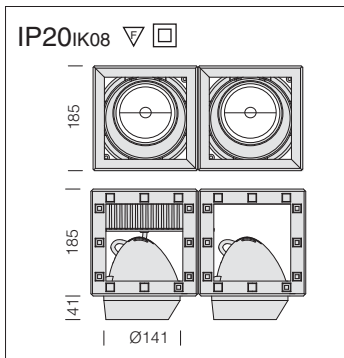
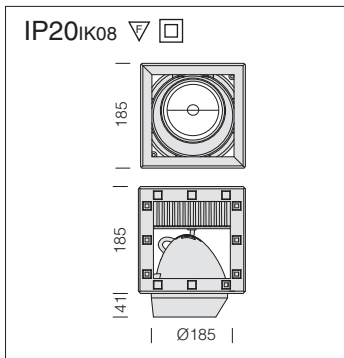
Compendio - LED AR					
		CLD CELL			LED (Ta=25°C)
wattage/W	colour	weight	code	W tot.	Kelvin - ølm - degrees
LED AR	m. silver	3,70	22281370-00	26	3000K - 1730lm - 45°



**Reflector:** For Mastercolour lamp, made of oxidised and polished aluminium 99.85.

**Diffuser:** Clear tempered glass.

Compendio					
		CELL		Lamps (Ta=25°C)	
wattage/W	colour	weight	code	Kelvin - ølm - Ra	
CDM-T 35	m. silver	3,70	22281070-08	3000K - 3400 lm - Ra 84 - 40°	
CDM-T 70	m. silver	4,10	22281071-08	3000K - 6200 lm - Ra 83 - 40°	
CDM-T 150	m. silver	5,10	22281072-08	3000K - 14000 lm - Ra 85 - 40°	
CDM-R111 35	m. silver	2,90	22281073-00	3000K - 1350lm - Ra 81 - 24°	
CDM-R111 70	m. silver	2,90	22281074-00	3000K - 2850lm - Ra 84 - 40°	

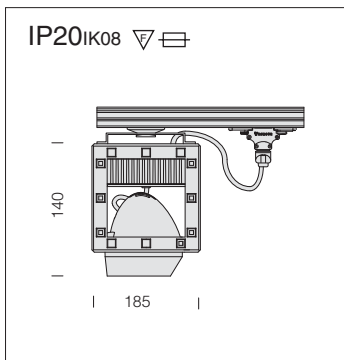


Compendio - AR single					
		CTL		Lamps (Ta=25°C)	
wattage/W	colour	weight	code	Kelvin - h - cd - degrees	
AR111-IRC 50	m. silver	2,70	22281173-00	3000K - 4000h - 5500cd - 24°	
AR111-IRC 60	m. silver	2,70	22281174-00	3000K - 4000h - 7000cd - 24°	

AR111-IRC power saving lamps provide a luminous efficiency 33% higher than conventional AR111 lamps; therefore: more light, lower consumption. Energy saving LONG LIFE

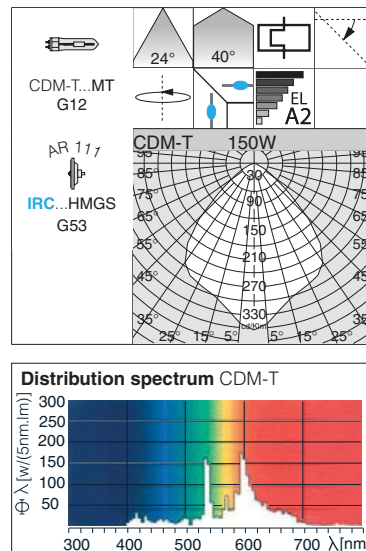
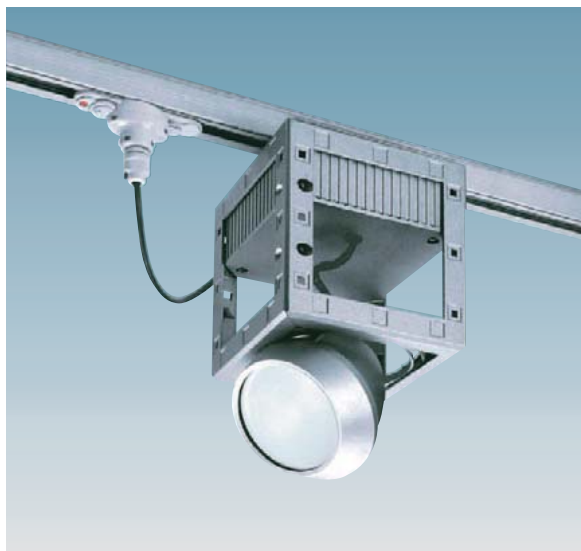
Compendio - AR double					
		CTL		Lamps (Ta=25°C)	
wattage/W	colour	weight	code	Kelvin - h - cd - degrees	
AR111-IRC 2x50	m. silver	4,30	22281275-00	3000K - 4000h - 2x5500cd - 24°	
AR111-IRC 2x60	m. silver	4,30	22281276-00	3000K - 4000h - 2x7000cd - 24°	

This version is composed of 2 cubes equipped with lamps and a single box containing the transformer. Wall mounting is recommended.

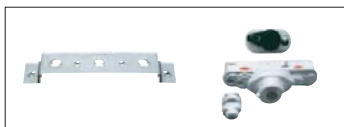


**Reflector:** For Mastercolour lamp, made of oxidised and polished aluminium 99.85.

**Diffuser:** Clear tempered glass.

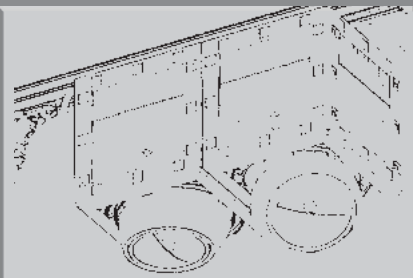


Compendio - track						
		CELL-F		CTL-F		Lamps (Ta=25°C)
wattage/W	colour	weight	code	weight	code	Kelvin - l m - Ra - degrees
CDM-T 35	m. silver	3,80	22281070-08+22005479-00			3000K - 3400 lm - Ra 84 - 40°
CDM-T 70	m. silver	4,20	22281071-08+22005479-00			3000K - 6200 lm - Ra 83 - 40°
CDM-T 150	m. silver	5,20	22281072-08+22005479-00			3000K - 14000 lm - Ra 85 - 40°
AR111-IRC 50	m. silver			3,00	22281173-00+22005479-00	3000K - 4000h - 5500cd - 24°
AR111-IRC 60	m. silver			3,00	22281174-00+22005479-00	3000K - 4000h - 7000cd - 24°

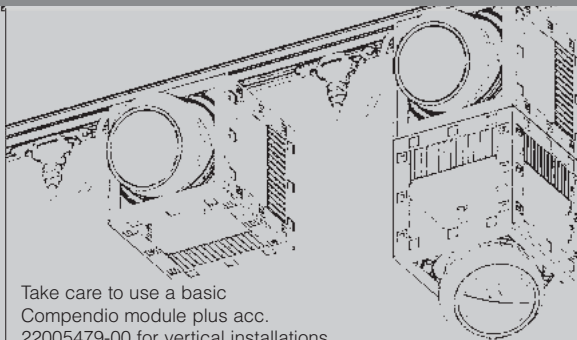


**Bracket + adaptor**  
 grey 22005479-00  
 Packaging complete with installation bracket, electric + mechanical adaptor.

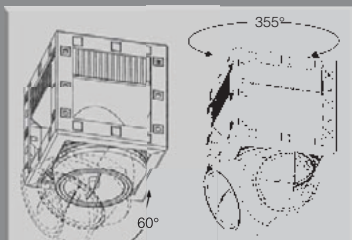




Installation options in single or multiple horizontal/vertical line compositions.

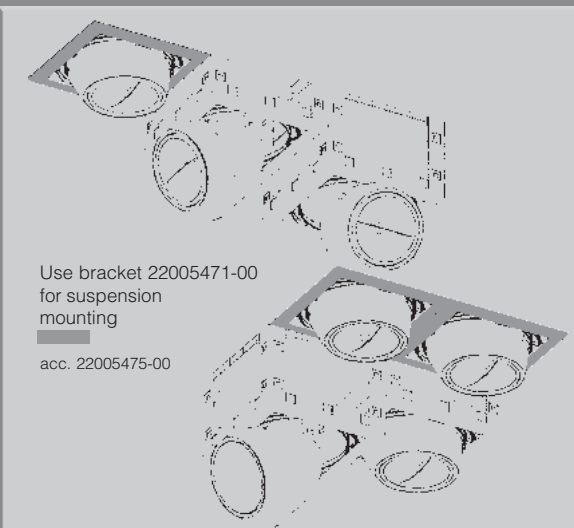


Take care to use a basic Compendio module plus acc. 22005479-00 for vertical installations.



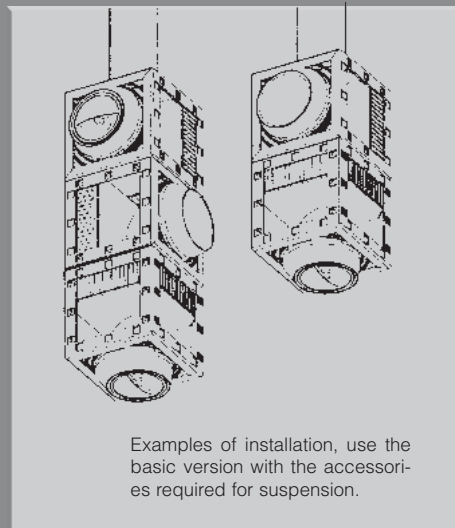
Possibility of inclination is 0°-60° of the lamp body.

The lamp housing can be rotated 0°-355°

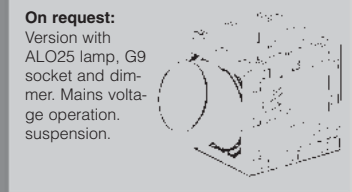


Use bracket 22005471-00 for suspension mounting

acc. 22005475-00



Examples of installation, use the basic version with the accessories required for suspension.



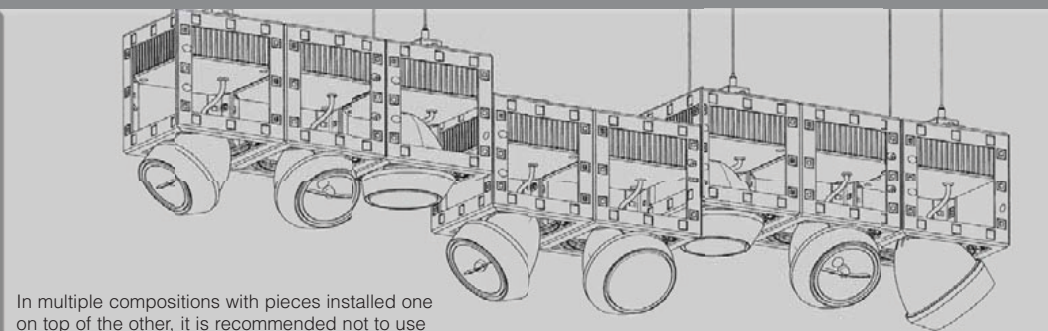
**On request:**  
Version with ALO25 lamp, G9 socket and dimmer. Mains voltage operation. suspension.



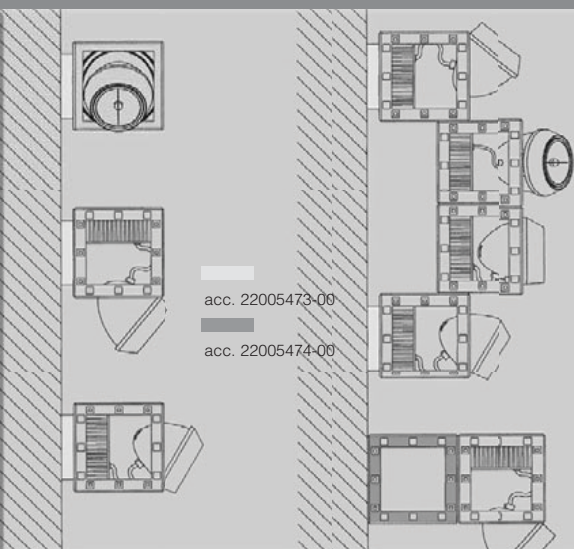
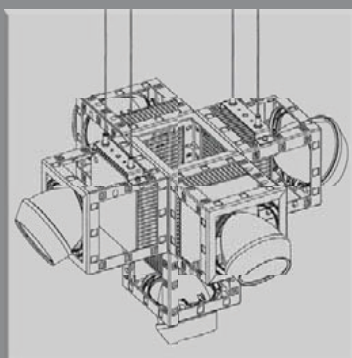
acc. 22005471-00

acc. 22005473-00

acc. 22003166-00

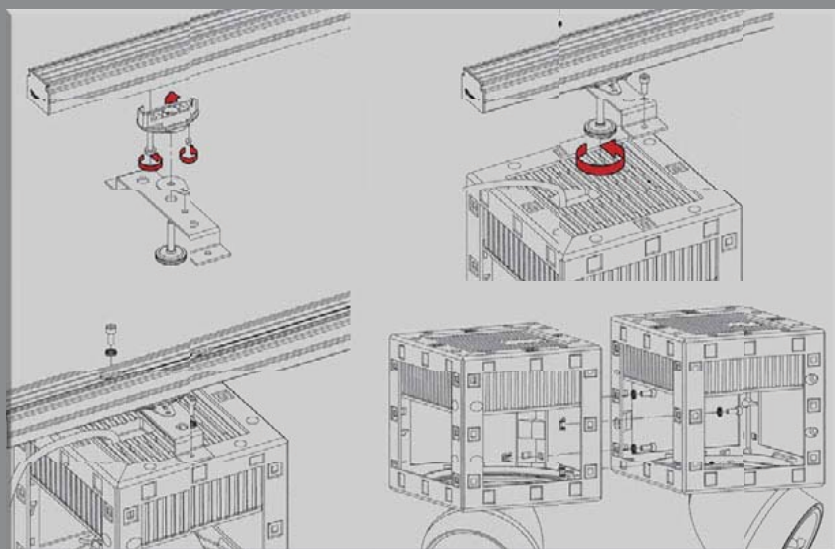


In multiple compositions with pieces installed one on top of the other, it is recommended not to use more than four pieces.



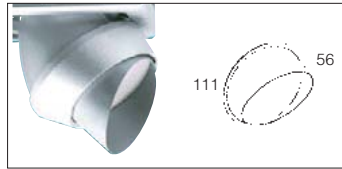
acc. 22005473-00

acc. 22005474-00



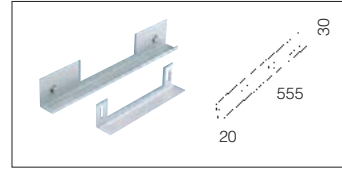
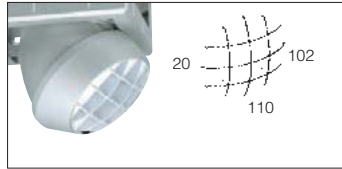


<b>Conveyor</b>	
22005477-00	
To convey the light beam in one direction.	



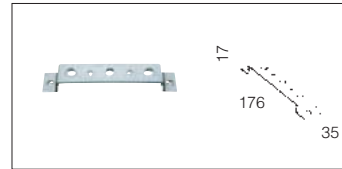
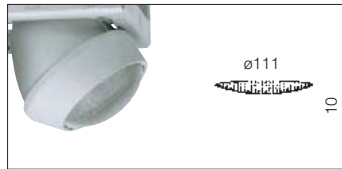
<b>Bracket + adaptor</b>	
grey	22005479-00
Packaging complete with installation bracket, electric + mechanical adaptor.	

<b>Baffle louvre</b>	
22005478-00	
In steel. It limits glare and allows the light beam to be directed.	



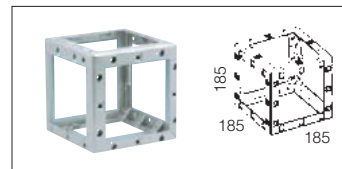
<b>Housing + recess</b>	
m. silver	22005475-00

<b>Mesh to dissipate heat</b>	
22005493-00	
According to regulations, the use of a mesh, at a distance of 0.80 metres, produces a temperature decrease of 20°C.	



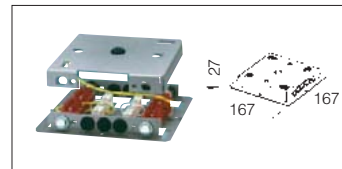
<b>Suspension bracket</b>	
m. silver	22005471-00
In steel. To be used whenever Compendio is installed as a suspension fixture, or acc. 22005473-00.	

<b>Coloured filter</b>	
red	22005480-00
yellow	22005481-00
blue	22005482-00
Coloured glass with dichroic treatment. Designed to create evocative light effects.	



<b>"S" module</b>	
m. silver	22005474-00
"S" module without supply and floodlight.	

<b>Printed glass</b>	
22005486-00	



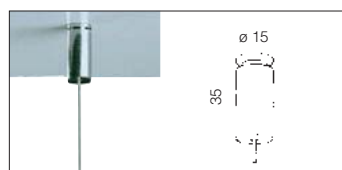
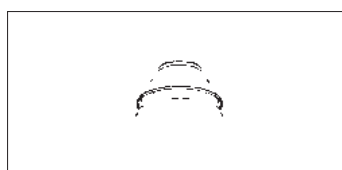
<b>Branch box</b>	
m. silver	22005473-00
This is recommended for multiple or single suspension mounted compositions. It contains a terminal for electrical connection.	

<b>Matt glass</b>	
22005489-00	
Anti-glare wide-beam matt glass.	



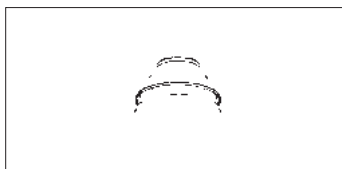
<b>Vertebra</b>	
m. silver	22005472-00
Covering for power cable.	

<b>Medium reflector</b>	
22005487-00	
Medium optics. Equipped with clear glass. Replaces standard optic if required.	



<b>Ceiling suspension</b>	
nickel	22003166-00
Hanger with wire (l=1,75m) with millimeter adjustable device. Max load: 20 Kg.	

<b>Narrow-beam reflector</b>	
22005488-00	
Narrow-beam optics. Equipped with clear glass. Replaces standard optic if required.	







INTERIOR FLOODLIGHTS



Objective: to excite with light. The goal is achievable with the help of Sonik and its accessories, studied in order to reach all the desired effects. The help for the creation permits to achieve great results with the simplicity of efficiency.

Sonik is available in a wide range of models, applicable to a wall or a suspension, but also to a powered track or a base.

There is a wide variety for a designer to find better lighting solution.

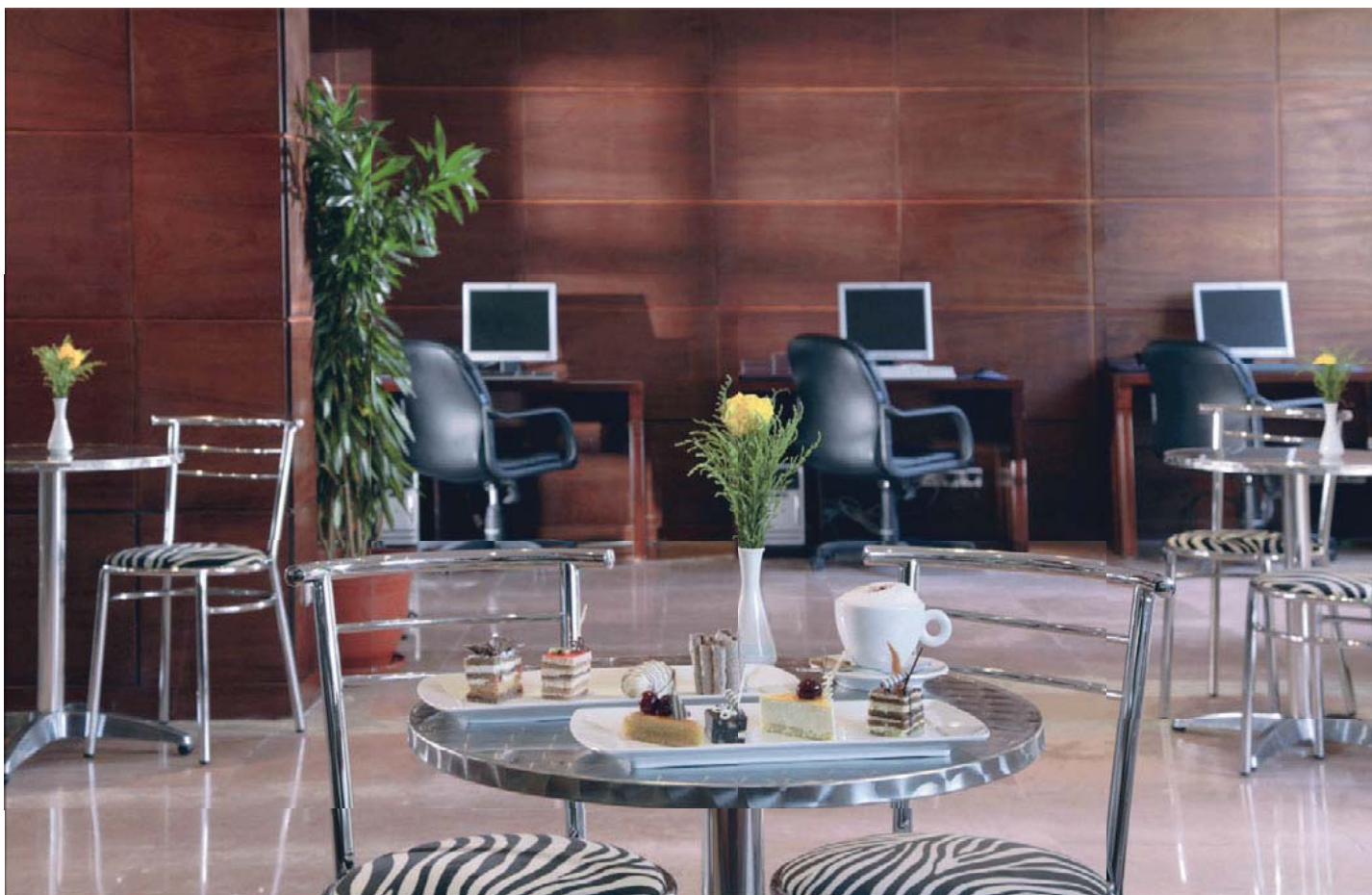
**Housing:** Die-cast aluminium.

**Reflector:** Oxidised polished aluminium for the version equipped with lamps without reflector.

**Diffuser:** Tempered glass.


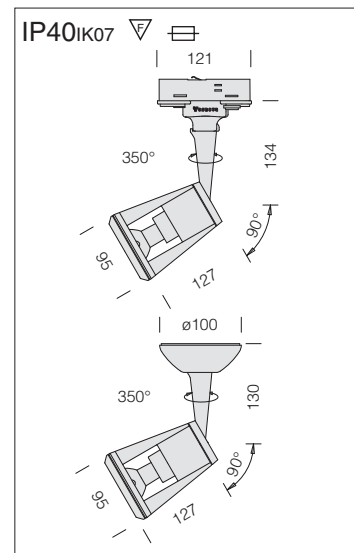
**Coating:** Power-coated with a UV-resistant polyester epoxy paint.

**Regulations:** Manufactured in accordance with EN 60598-1-CEI 34.21 standards. Degree of protection in accordance with EN60529 standards.

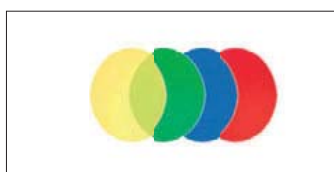


25°  
A1  
DIMM  
Power LED 7W

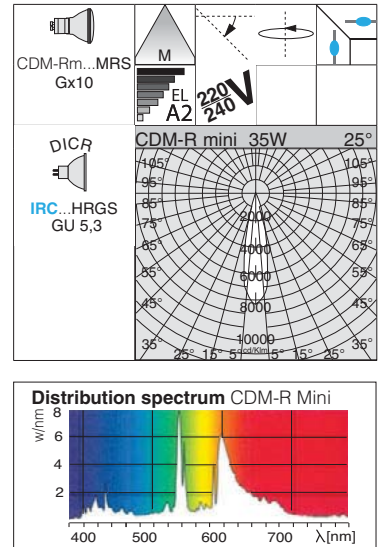
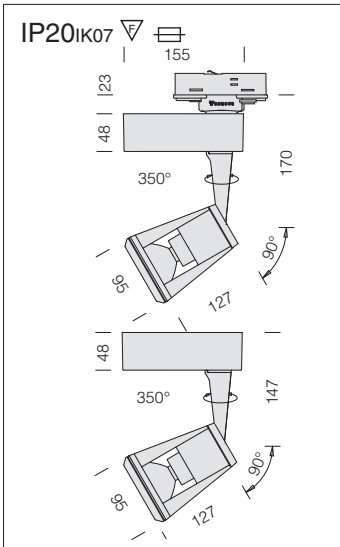
Power LED 7W		
1	Ø 0,44	1800
2	Ø 0,88	450
3	Ø 1,33	200
m		lux

<b>Sonik Q3 Power LED 7W DIMM</b>							
		<b>CLD CELLF-D for omnitrack</b>		<b>CLD CELL-D base</b>		<b>W tot</b>	<b>LED (Ta=25°C)</b>
wattage/W	colour	weight	code	weight	code		Kelvin - lm - CRI - degrees
<b>POWER LED 7W</b>	white	0,90	22101417-00	0,90	22201417-00	<b>7</b>	3000K - 450lm - 25°
<b>POWER LED 7W</b>	m. silver	0,90	22101477-00	0,90	22201477-00		



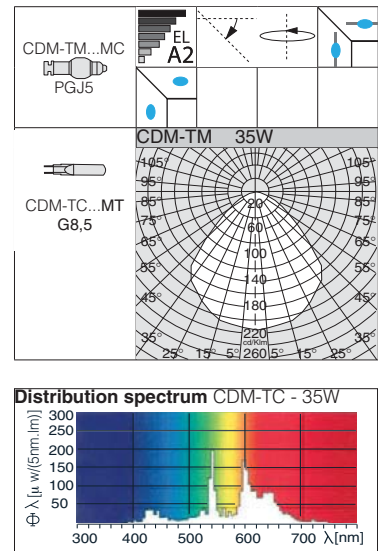
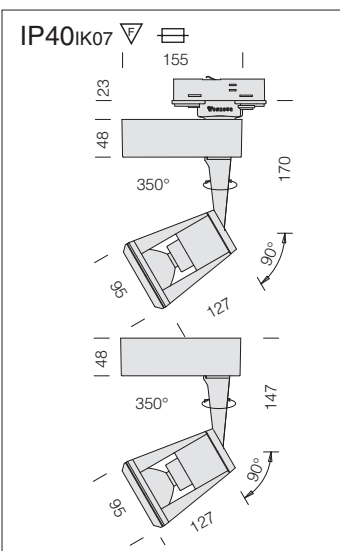
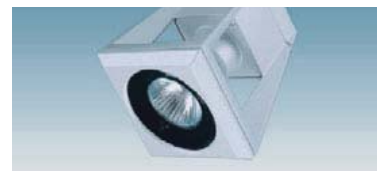
<b>Coloured glass</b>	
red	22005265-00
green	22005266-00
yellow	22005267-00
blue	22005268-00
Dichroic treatment colour glass. For Sonik Q5,Q6.	



Sonik Q2 - CDM-R mini					
		CELL-F for omnitrack		CELL base	Lamps (Ta=25°C)
wattage/W	colour	weight	code	code	Kelvin - cd - Ra - degrees
CDM-Rm Elite 35	m. silver	1,10	22101673-00	22201673-00	3000K - 8000 cd - Ra 90 - 25°
CDM-Rm Elite 50	m. silver	1,10	22101675-00	22201675-00	3000K - 5100 cd - Ra 90 - 40°

CDM-R mini: on request, 40° version.

Sonik Q2					
		CTL-F for omnitrack		CTL base	Lamps (Ta=25°C)
wattage/W	colour	weight	code	code	Kelvin - h - cd - Ra - degrees
DICR-IRC 35	m. silver	1,10	22101671-00	22201671-00	3000K - 5000h 4100 cd - 24°

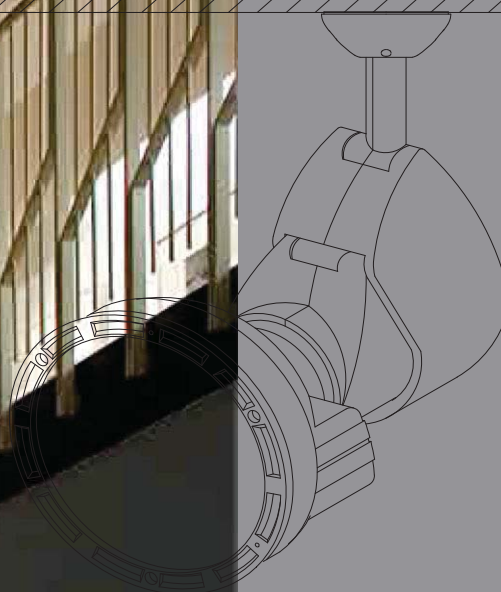
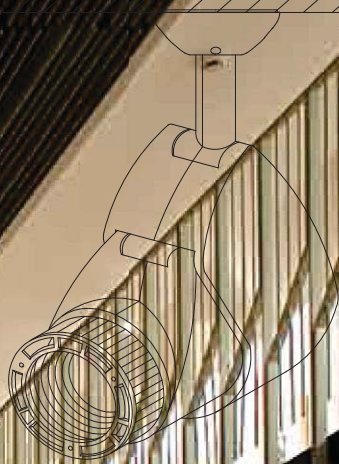


Sonik Q5					
		CELL-F for omnitrack		CELL base	Lamps (Ta=25°C)
wattage/W	colour	weight	code	code	Kelvin - ølm - Ra
CDM-TM 35 Elite	m. silver	1,10	22101974-00	22201974-00	3000K - 3500 lm - Ra 90

Sonik Q6					
		CELL-F for omnitrack		CELL base	Lamps (Ta=25°C)
wattage/W	colour	weight	code	code	Kelvin - ølm - degrees
CDM-TC Elite 35	m. silver	1,10	22102075-00	22202075-00	3000K - 3900 lm - 38°







INTERIOR FLOODLIGHTS

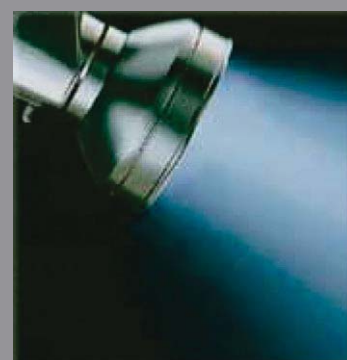
Cast is the answer to present-day lighting design requirements: for artwork, trade fairs, architectural applications, whenever the goal is to enhance the shape and volume of illuminated objects. More than a product, it is a "family of light". Achievement of quality lighting and high technical performance are the key features of the "CAST" project.

**Housing:** Die-cast aluminium with cooling holes.

**Reflector:** Oxidised polished aluminium for the version equipped with lamps without reflector.

**Coating:** Power-coated with a UV-resistant polyester epoxy paint.

**Lamps:** Supplied with DICR, AR111 or discharge lamps or LED.





220V  
240V

PAR30 75W 30°

LED DRR PAR 30 E27

On request with bracket

**LED**



IP20 IK07

Cast "A" - LED PAR30 - fig. 1

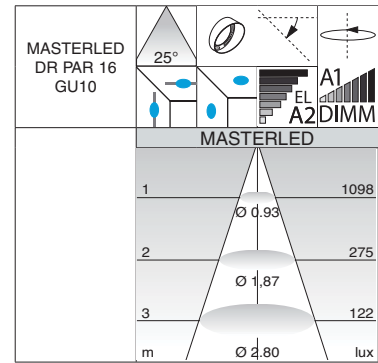
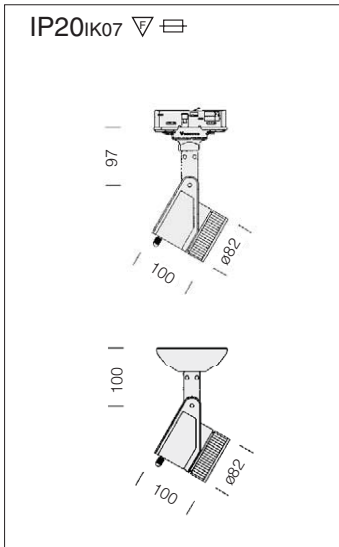
wattage/W	colour	CLD CELL-F for Omnitrack		CLD CELL Base		W tot.	LED (Ta=25°C)
		weight	code	weight	code		Kelvin - h - lm - degrees
LED PAR30 10W	white	0,80	22500112-00	0,90	22400112-00	10	3000K - 25000h - 500lm - 36°
LED PAR30 10W	m. silver	0,80	22500172-00	0,90	22400172-00		

Cast "A" - fig. 2

wattage/W	colour	CNL-F for Omnitrack		CNL Base		Lamps (Ta=25°C)
		weight	code	weight	code	Kelvin - h - cd - degrees
PAR30 75	white	0,80	22500116-00	0,90	22400115-00	3000K - 2000h - 2200cd - 30°
PAR30 75	m. silver	0,80	22500175-00	0,90	22400175-00	

Version supplied with PAR lamp, mains voltage operation.



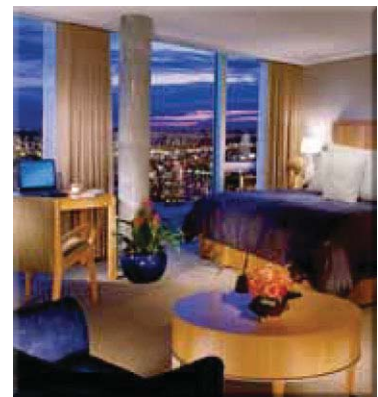
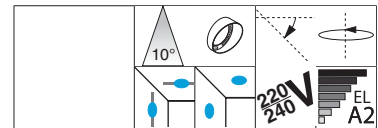
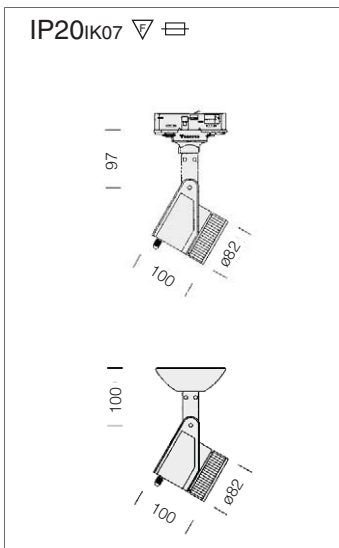


Cast "A" - MASTERLED - fig.1

		CLD CELL-F for Omnitrack		CLD CELL Base		LED (Ta=25°C)	
wattage/W	colour	weight	code	weight	code	W tot	Kelvin- lm - h - degrees
MASTERLED 3W	white	0,70	22500016-00	0,70	22400016-00	3	2700K - 130lm - 35000h - 25°
MASTERLED 3W	m. silver	0,70	22500076-00	0,70	22400076-00		

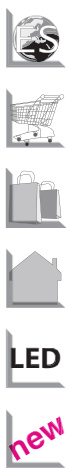
Cast "A" - POWER LED 7W - DIMM - fig.2

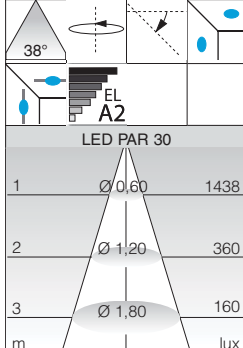
		CLD CELL-D for Omnitrack		CLD CELL-D Base		LED (Ta=25°C)	
wattage/W	colour	weight	code	weight	code	W tot	Kelvin - oIm - CRI - degrees
POWER LED 7W	white	0,60	22500019-00	0,80	22400019-00	7	3000K - 450lm - CRI80 - 25°
POWER LED 7W	m. silver	0,60	22500079-00	0,80	22400079-00		


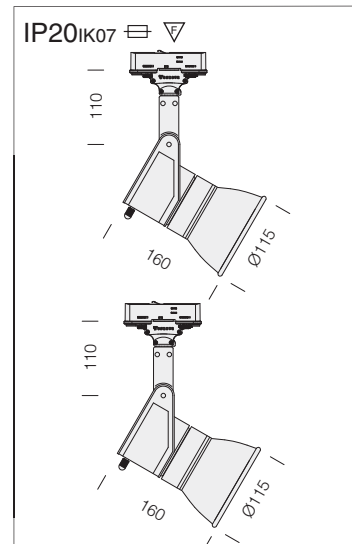


Cast "A" - POWER LED

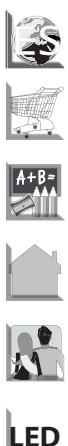
		CLD CELL-F for Omnitrack		CLD CELL Base		LED (Ta=25°C)	
wattage/W	colour	weight	code	weight	code	Kelvin - cd - degrees	
LED white 2,5W	m. silver	0,70	22500074-00	0,80	22400074-00	5000K - 120cd - 10°	
LED blue 2,5W	m. silver	0,70	22500074-71	0,80	22400074-71	10°	
LED red 2,5W	m. silver	0,70	22500074-72	0,80	22400074-72	10°	
LED yellow 2,5W	m. silver	0,70	22500074-73	0,80	22400074-73	10°	
LED green 2,5W	m. silver	0,70	22500074-74	0,80	22400074-74	10°	

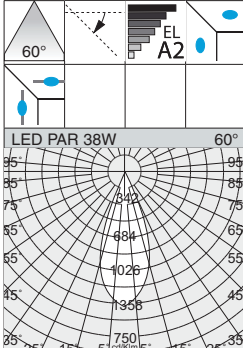



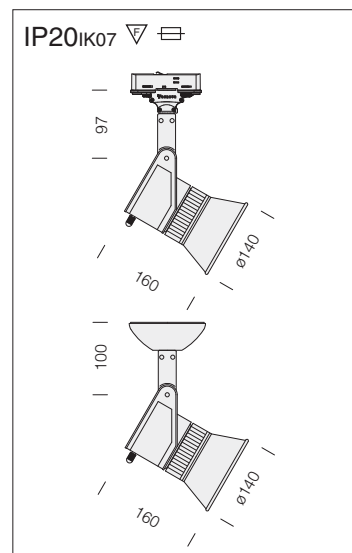
		LED DR PAR 30 E27 40000h
LED PAR 30		
1	Ø 0,60	1438
2	Ø 1,20	360
3	Ø 1,80	160
m		lux

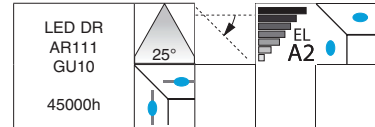
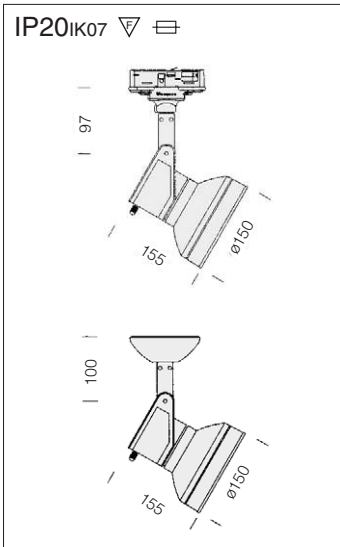
Cast A+L - "PAR 30" LOW GLARE						
		CLD CELL-F for Omnitrack		CLD CELL base		LED (Ta=25°C)
wattage	colour	weight	code	code	W tot.	Kelvin - ølm - CRI - degrees
LED PAR30	m. silver	2,60	22500178-00	22400178-00	13	3000K - 820lm - CRI82 - 38°



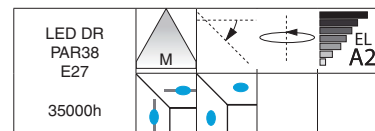
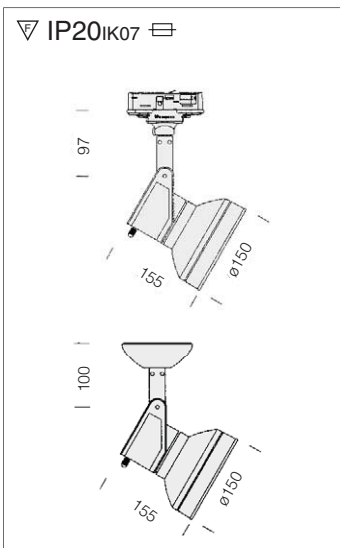
		LED DR PAR 38 E27 40000h
LED PAR 38W		
95°	95°	95°
85°	85°	85°
75°	75°	75°
65°	65°	65°
55°	55°	55°
45°	45°	45°
35°	35°	35°
25°	25°	25°
15°	15°	15°
5°	5°	5°
0°	0°	0°
0°	0°	0°
5°	5°	5°
15°	15°	15°
25°	25°	25°
35°	35°	35°
45°	45°	45°
55°	55°	55°
65°	65°	65°
75°	75°	75°
85°	85°	85°
95°	95°	95°
750	750	750
ølm	ølm	ølm

Cast "A+L" - LED PAR38						
		CLD CELL-F for Omnitrack		CLD CELL base		LED (Ta=25°C)
wattage/W	colour	weight	code	code	W tot.	Kelvin - ølm - CRI - degrees
LED PAR38 15W	m. silver.	2,60	22500571-00	22400171-00	15	3000K - 1050lm - CRI82 - 60°



Cast "A+C" - LED AR111 -							
		CLD CELL-F for Omnitrack		CLD CELL Base		LED (Ta=25°C)	
wattage	colour	weight	code	weight	code	W tot.	Kelvin - ølm - cd - CRI - degrees
LED AR111 11W	white	1.10	22500515-00	1.20	22400515-00	12	3000K - 3369cd - 550lm - CRI82 - 25°
LED AR111 11W	m. silver	1.10	22500575-00	1.20	22400575-00		



Cast "A+C" - LED PAR38 CREE							
		CLD CELL-F for Omnitrack		CLD CELL Base		LED (Ta=25°C)	
wattage/W	colour	weight	code	weight	code	W tot.	Kelvin - ølm - CRI
LED PAR38	white	0,90	22500516-00	1,00	22400516-00	12	2700K - 710lm - CRI94
LED PAR38	m. silver	0,90	22500576-00	1,00	22400576-00		



220V  
240V

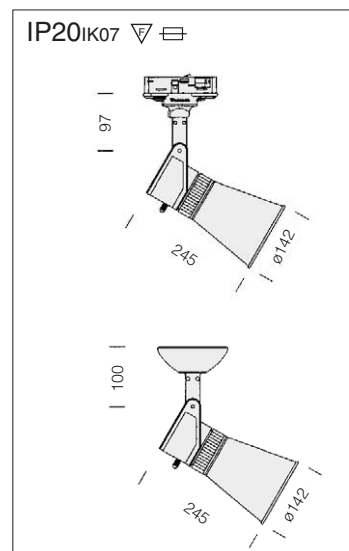
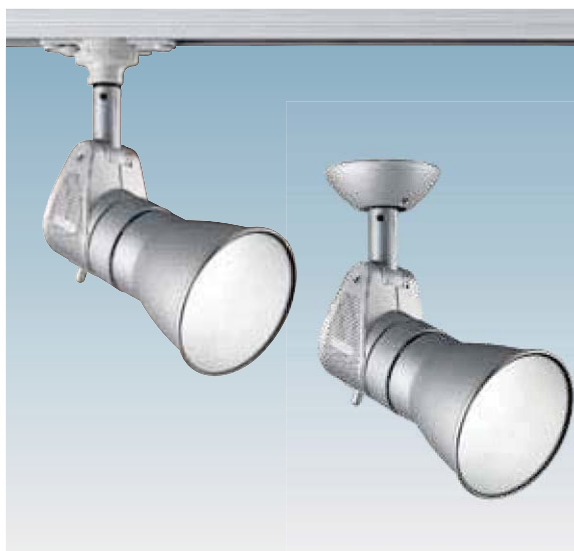
**D-EL-R 20W**

1	450
2	200
3	110
my	lux

Ø 1,68  
Ø 2,50  
Ø 3,30

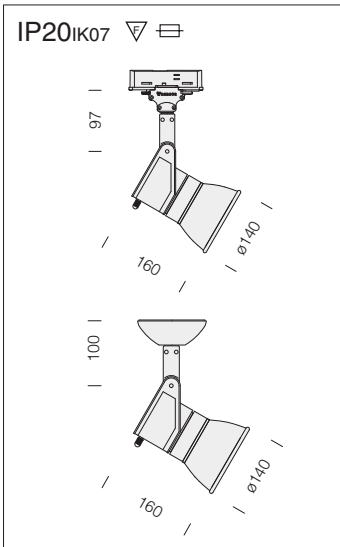
FLC...FBR  
E27

TORNADO...  
FBT  
E27



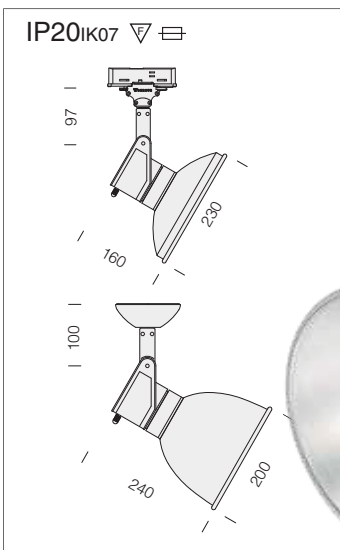
<b>Cast "A+H"</b>					
		<b>S+F for Omnitrack</b>		<b>S Base</b>	
wattage/W	colour	weight	code	weight	code
<b>D-EL-R 20</b>	white	0,70	22500710-00	0,80	22400719-00
<b>D-EL-R 20</b>	m. silver	0,70	22500779-00	0,80	22400779-00

Standard version with lamp cover in painted aluminium. Lamp and reflector are perfectly integrated, with optimized lighting features. With base for installation.



Optic: completely painted in white.

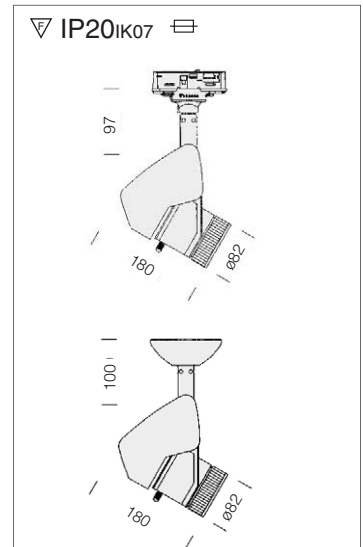
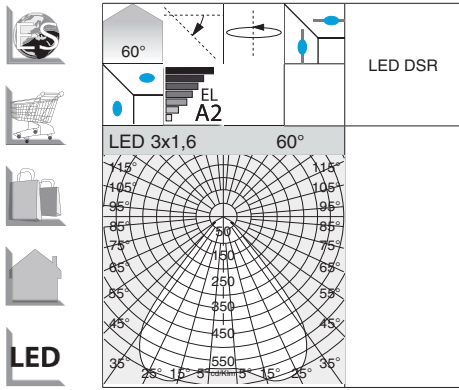
		Cast "A+M" - MASTERLED BULB					
		CLD CELL-F for Omnitrack		CLD CELL a Base		LED (Ta=25°C)	
wattage/W	colour	weight	code	weight	code	W tot.	K - ølm - CRI - degrees
MASTERLED BULB	white	1,20	22500010-00	1,20	22400010-00	12	2700K - 806lm - CRI>80 - 60°
MASTERLED BULB	m. silver.	1,20	22500070-00	1,20	22400070-00		



Matt optic and wide beam

		Cast "A+E" - MASTERLED BULB (1)					
		CLD CELLF for Omnitrack		CLD CELL patère		LED (Ta=25°C)	
wattage	colour	weight	code	weight	code	W tot.	K - ølm - CRI - degrees
MASTERLED BULB	white	1,30	22500517-00	1,30	22400517-00	12	2700K - 806lm - CRI>80 - 60°
MASTERLED BULB	m. silver	1,30	22500577-00	1,30	22400577-00		

		Cast "A+F" - MASTERLED BULB (2)					
		CLD CELLF for Omnitrack		CLD CELL patère		LED (Ta=25°C)	
wattage	colour	weight	code	weight	code	W tot.	K - ølm - CRI - degrees
MASTERLED BULB	white	1,30	22500615-00	1,30	22400615-00	12	2700K - 806lm - CRI>80 - 60°
MASTERLED BULB	m. silver	1,30	22500675-00	1,30	22400675-00		

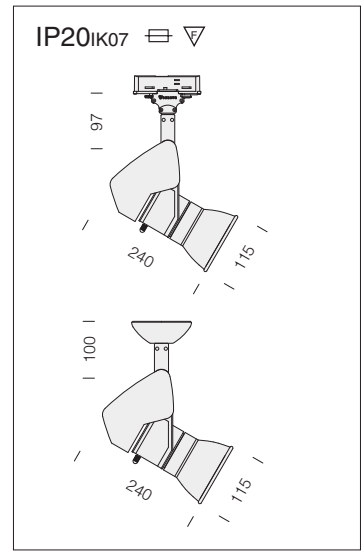
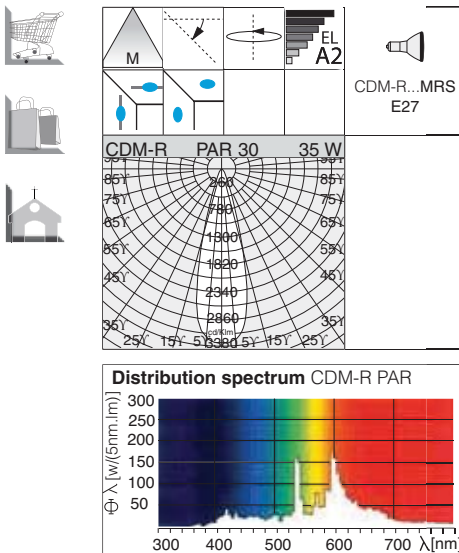


Cast "A+B" - POWER LED 60°						
		CLD CELL-F for Omnitrack		CLD CELL Base		LED (Ta=25°C)
wattage/W (500mA)	colour	weight	code	code	W tot.	Kelvin - ølm (500 mA) - degrees
LED white 3x1,6W	white	1,10	22500216-00	22400216-00	6	4000 K - 570 lm - 60°
LED white 3x1,6W	m. silver	1,10	22500277-00	22400277-00		

Upon request: 10°, 25°, 40°

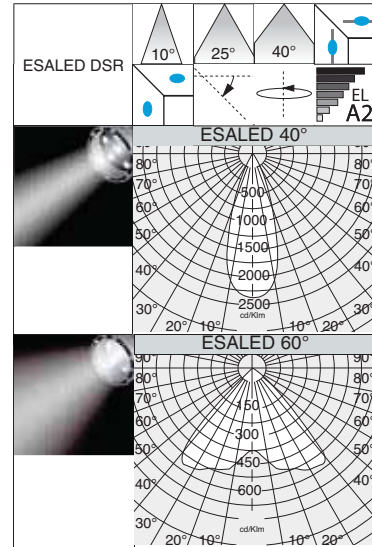
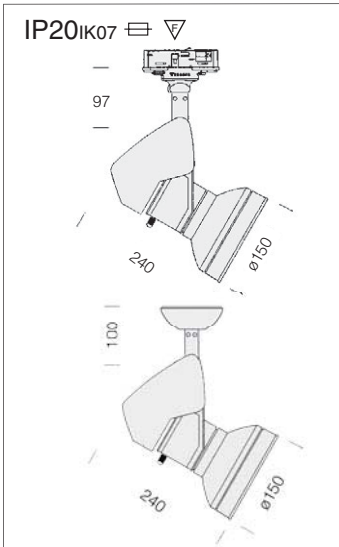
Cast "A+B" - POWER LED 60°						
		CLD CELL-F for Omnitrack		CLD CELL Base		LED (Ta=25°C)
wattage/W (700mA)	colour	weight	code	code	W tot.	Kelvin - ølm (700 mA) - degrees
LED white 3x2,5W	white	1,10	22500212-00	22400212-00	8	3000K - 645 lm - 60°
LED white 3x2,5W	m. silver	1,10	22500272-00	22400272-00		

Upon request: 10°, 25°, 40°



Cast "A+B+L"						
		CELL-F for Omnitrack		CELL Base		Lamps (Ta=25°C)
wattage/W	colour	weight	code	weight	code	Kelvin - ølm - Ra
CDM-R PAR30 35	white	1,00	22501112-00	1,05	22401112-00	3000K - 2200 lm - Ra 83
CDM-R PAR30 35	m. silver	1,00	22501172-00	1,05	22401172-00	

Ideal for commercial centre.



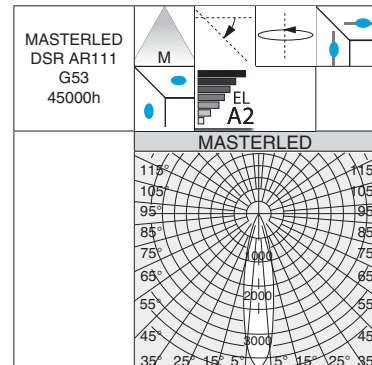
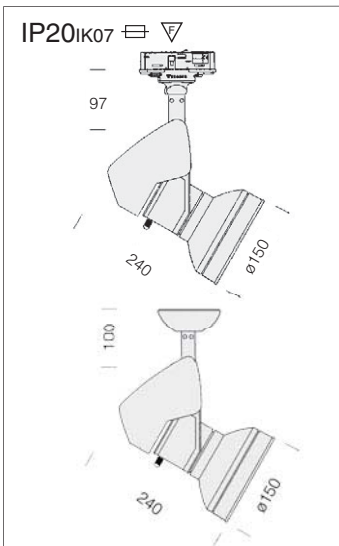
INTERIOR FLOODLIGHTS

**Cast "A+B+C" - ESALED**

wattage/W (700mA)	colour	CLD CELL-F for Omnitrack		CLD CELL Base		W tot.	LED (Ta=25°C)	
		weight	code	weight	code		Kelvin - ølm (700 mA) - CRI - degrees	
ESaled 13W	m. silv.	2,60	22501373-00	2,60	22401373-00	14	3000K - 1260lm - CRI 80 - 10°	
ESaled 13W	m. silv.	2,60	22501374-00	2,60	22401374-00		3000K - 1260lm - CRI 80 - 25°	
ESaled 13W	m. silv.	2,60	22501375-00	2,60	22401375-00		3000K - 1260lm - CRI 80 - 40°	
ESaled 13W	m. silv.	2,60	22501370-00	2,60	22401370-00		4000K - 1400lm - CRI 80 - 10°	
ESaled 13W	m. silv.	2,60	22501371-00	2,60	22401371-00		4000K - 1400lm - CRI 80 - 25°	
ESaled 13W	m. silv.	2,60	22501372-00	2,60	22401372-00		4000K - 1400lm - CRI 80 - 40°	

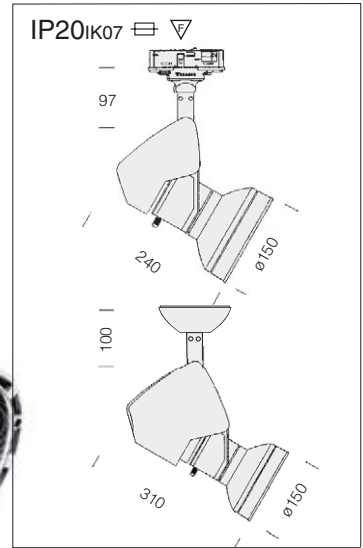
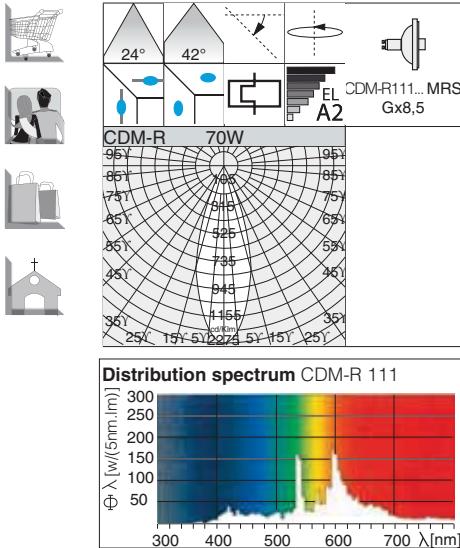
**Cast "A+B+C" - ESALED 60°**

wattage/W (700mA)	colour	CLD CELL-F Omnitrack		CLD CELL base		W tot.	LED (Ta=25°C)	
		weight	code	weight	code		Kelvin - ølm (700 mA) - CRI - degrees	
ESaled 13W	m. silv.	2,60	22501377-00	2,60	22401377-00	14	3000K - 1260lm - CRI 80 - 60°	
ESaled 13W	m. silv.	2,60	22501376-00	2,60	22401376-00		4000K - 1400lm - CRI 80 - 60°	



**Cast "A+B+C" - MASTERLED AR111**

wattage/W	colour	CLD CELL-F for Omnitrack		CLD CELL Base		W tot.	LED (Ta=25°C)	
		weight	code	weight	code		Kelvin - ølm - CRI - degrees	
MASTERLED AR111	white	1,40	22501410-00	1,50	22401410-00	16	3000K - 745lm - CRI80 - 24°	
MASTERLED AR111	m. silver	1,40	22501470-00	1,50	22401470-00			

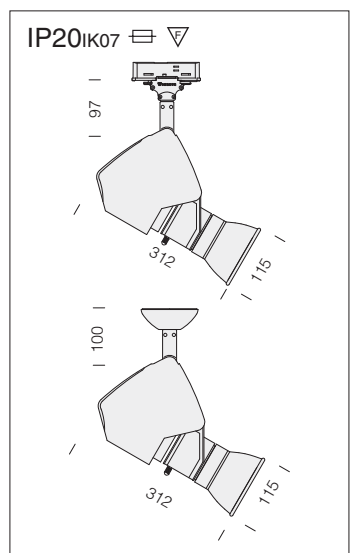
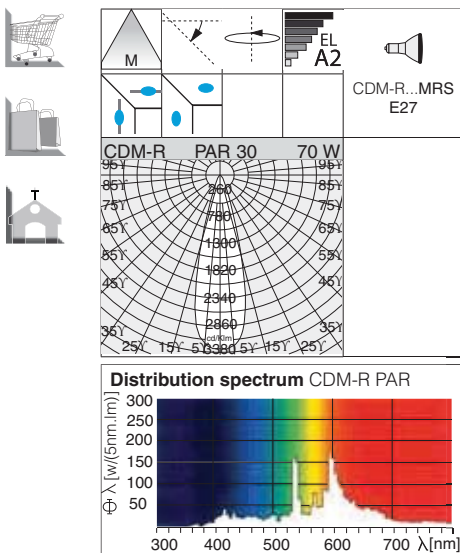


Cast "A+B+C" - 1						
		CELL-F for Omnitrack		CELL Base		Lamps (Ta=25°C)
wattage/W	colour	weight	code	weight	code	Kelvin - cd - Ra - degrees
CDM-R111 35	white	1,60	22500915-00	1,70	22400915-00	3000K - 8500cd Ra 81 - 24°
CDM-R111 35	m. silver	1,60	22500975-00	1,70	22400975-00	

Complete with electronic supply built into the housing and a lamp. The anti-glare protective lamp is very efficient.

Cast "A+C+J" - 2						
		CELL-F for Omnitrack		CELL Base		Lamps (Ta=25°C)
wattage/W	colour	weight	code	weight	code	Kelvin - cd - Ra - degrees
CDM-R111 70	white	1,60	22500910-00	1,70	22400910-00	3000K - 15000cd Ra 84 - 42°
CDM-R111 70	m. silver	1,60	22500977-00	1,70	22400977-00	

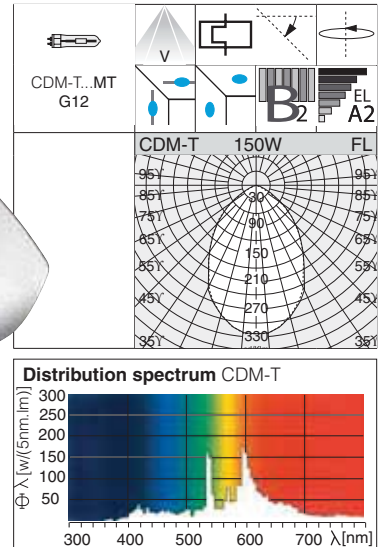
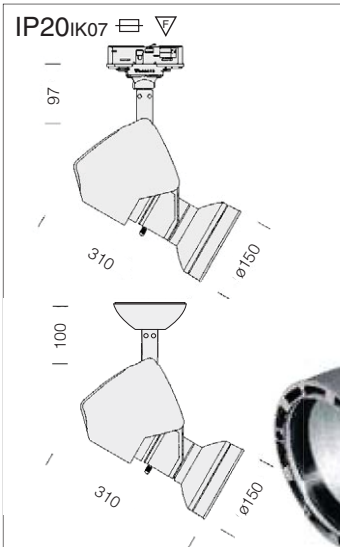
Complete with electronic supply built into the housing and a lamp. The anti-glare protective lamp is very efficient.



Cast "A+C+J"						
		CELL-F for Omnitrack		CELL Base		Lamps (Ta=25°C)
wattage/W	colour	weight	code	weight	code	Kelvin - lumen - Ra
CDM-R PAR30 70	white	1,00	22501213-00	1,05	22401213-00	3000K - 4600 lm - Ra 83
CDM-R PAR30 70	m. silver	1,00	22501273-00	1,05	22401273-00	

Ideal for commercial centre.





**Cast "A+C+J"**

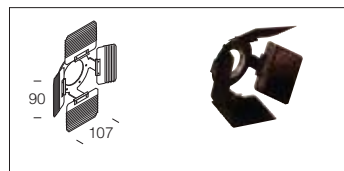
wattage/W	colour	CNRL-F for Omnitrack		CELL-F for Omnitrack		CNRL Base		CELL Base	
		weight	code	weight	code	weight	code	weight	code
CDM-T 70	white	3,20	22500913-00	3,30	22500913-08	3,30	22400912-00	3,40	22400912-08
CDM-T 70	m. silver	3,20	22500972-00	3,30	22500972-08	3,30	22400972-00	3,40	22400972-08
CDM-T 150	white	4,20	22500914-00			4,30	22400918-00		
CDM-T 150	m. silver	4,20	22500978-00			4,30	22400978-00		

Front protective glass. Adjustable focus. For installation to wall use electronic version only.

**Anti-glare shutter Ø mm 82**

white	22005219-00
black	22005229-00

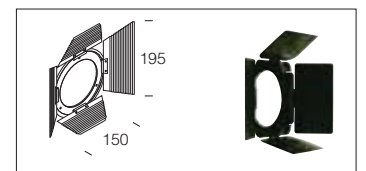
In steel. used to shield the light beam. For DICR, ALO.



**Anti-glare shutter Ø mm150**

white	22005220-00
black	22005230-00

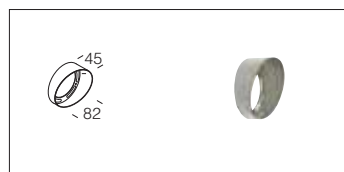
Permits to shield the light beam. For AR111, E27, JMT, CDM-T, ALO.



**Conveyor Ø mm 82**

white	22005222-00
black	22005232-00
m. silver	22005277-00

To convey the light beam in one direction. For DICR, ALO.



**Coloured Glass Ø mm 131**

yellow	22005248-00
red	22005250-00
green	22005249-00
blue	22005246-00

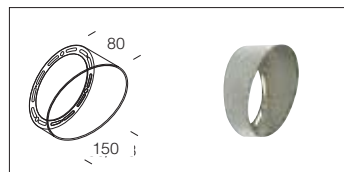
For ALO, CDM-T, AR 111.



**Conveyor Ø mm 150**

white	22005221-00
black	22005231-00
m. silver	22005278-00

To convey the light beam in one direction. For ALO, CDM-T.







If seeing requires light, then a prerequisite for correct vision is the quality of light. This is the idea underlying the creation of Daryl: a fixture designed to address the need for different light emissions, combining appearance and technical design.

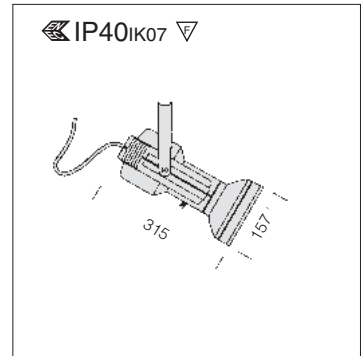
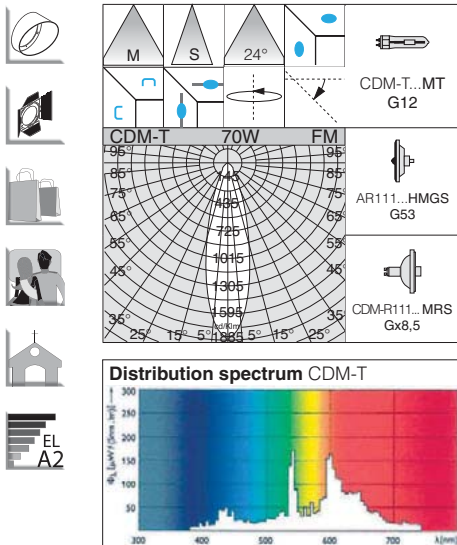
**Housing:** Die-cast aluminium with wide cooling fins.

**Reflector:** Polished anodised aluminium.

**Coating:** Power-coated with a UV-resistant polyester epoxy paint.

**Standard supply:** Only supplied with an aluminium bracket for attaching the base or the track mounting adapter.

**Regulations:** Manufactured in accordance with EN 60598-1-CEI 34.21 standards. Degree of protection in accordance with EN60529 standards.

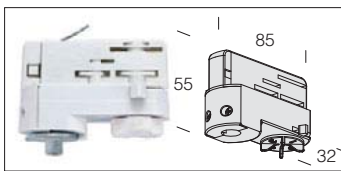


**Reflector:** Polished anodised aluminium.  
**Diffuser:** Complete with protective glass.

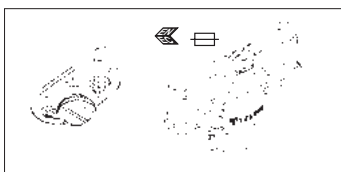


Daryl CDM-T				
		CELL		Lamps (Ta=25°C)
wattage/W	colour	weight	code	Kelvin - ølm - Ra - degrees
CDM-T Elite 50	m. silver	3,70	22250070-08	3000K - 5500 lm - Ra 90
CDM-T Elite 70	m. silver	4,60	22250071-08	3000K - 7800 lm - Ra 90
CDM-R111 70	m. silver	2,20	22250077-00	3000K - 2850lm - Ra 84 - 24°

Version supplied with bracket and electric cable only.  
 To be used with acc. 22093371/93315/93334-00 for track mounted applications. Adjustable focus: pos. 1 medium beam - pos. 2 narrow beam.

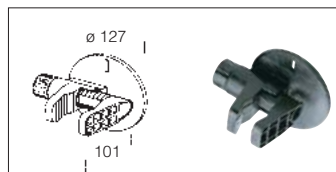


Global Power Adapter	
white	22093415-00
black	22093435-00
m. silver	22093475-00



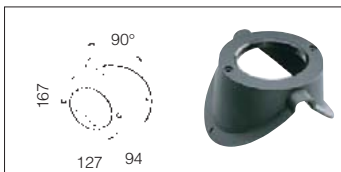
Mechanical + Power Adapter	
grey	22093371-00

To be used for track installation.  
 Maximum load: 20 kg.



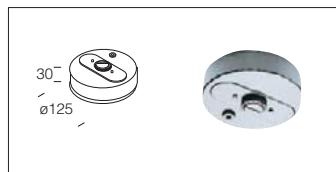
Clamp	
black	22091438-00

In fiberglass nylon. For provisional application on a wide number of surfaces.



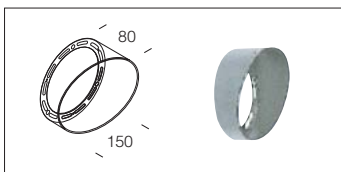
Angle support	
black	22091435-00

In fiberglass nylon. For application on a surface with external angle with fixing bracket.



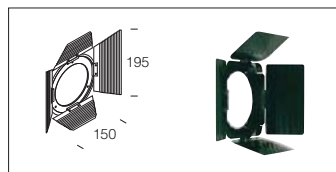
Base	
m. silver	220051470-00

Base for wall or ceiling installation.



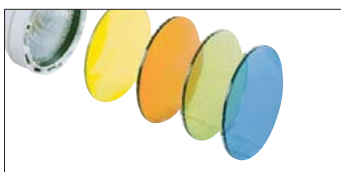
Conveyor Ø mm 150	
black	22005231-00
m. silver	22005278-00

To convey the light beam in one direction. For CDM-T.



Anti-glare shutter Ø mm 150	
black	22005230-00

In steel. Used to shield the light beam. For CDM-T.



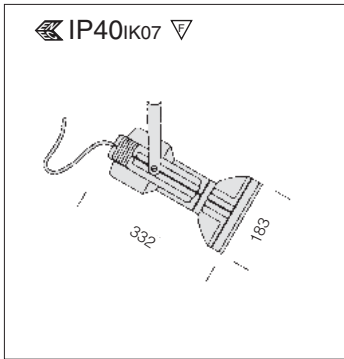
Coloured Glass Ø mm 131	
yellow	22005248-00
red	22005250-00
green	22005249-00
blue	22005246-00

For CDM-T.

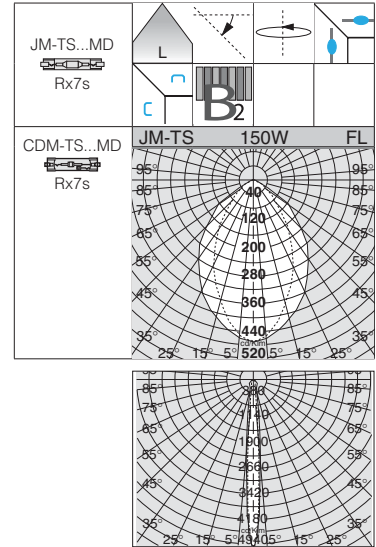


Coloured Glass Ø mm 160	
yellow	22005338-00
red	22005340-00
green	22005339-00
blue	22005336-00

For -TS.



IP40 IK07



**Reflector:** Polished anodised aluminium.

**Diffuser:** Complete with protective glass.

Daryl - ts Excellence				
		CNRL		Lamps (Ta=25°C)
wattage/W	colour	weight	code	Kelvin - l <sub>m</sub> - Ra
<b>JM-TS 150 EXC</b>	m. silver	5,00	22250177-00	3000K - 12000 lm - Ra 75
<b>CDM-TS 150</b>	m. silver	5,00	22250177-85	3000K - 13250 lm - Ra 88

Version supplied with bracket and electric cable only.  
To be used with acc. 22093371/93315/93334-00 for track mounted applications.



Filter for fruits Ø 160
22005260-00
Ideal for enhancing goods displayed in shops or fruit and vegetable departments. For -TS.



Filter for bakery Ø 160
22005262-00
Ideal for enhancing goods displayed in bakery shop. For -TS.



Filter for vegetables Ø 160
22005261-00
Ideal for enhancing goods displayed in shops or vegetable departments. For -TS.



Filter for fishmonger Ø 160
22005263-00
Ideal for enhancing goods displayed in fishmonger or seafood departments. For -TS.



Filter for fabrics Ø 160
22005245-00
Ideal for enhancing goods displayed in shops or in fabric departments. For -TS.



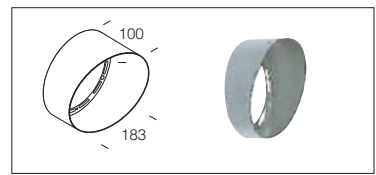
Filter for butcher's shop Ø 160
22005264-00
Ideal for enhancing red meat. For -TS.



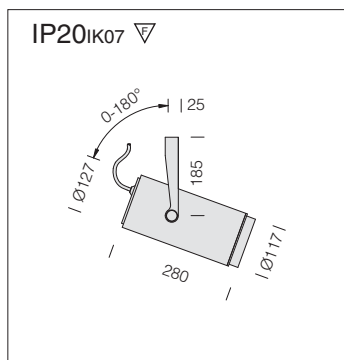
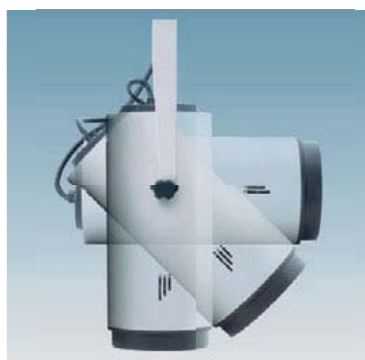
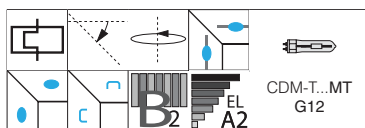
UV Filter Glass Ø 160	
For -TS	22005335-00



Conveyor Ø mm 183	
black	22005330-00
m. silver	22005370-00
In steel. To convey the light beam in one direction. For -TS.	

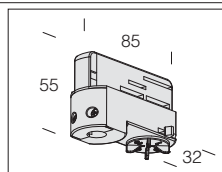


Clear Glass Ø 160	
For -TS	22005334-00

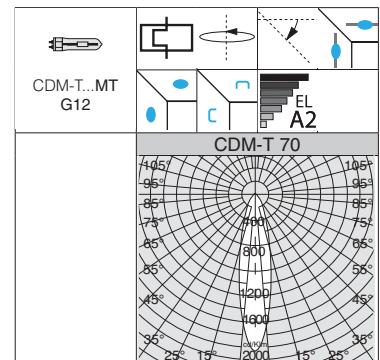
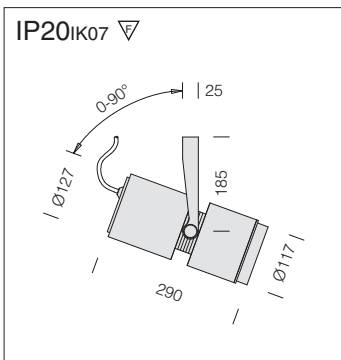


Version supplied with bracket and electric cable only. To be used with acc. 22093371/93315 for track mounted applications or with acc. 22091470/91410-00 for wall or ceiling installation.

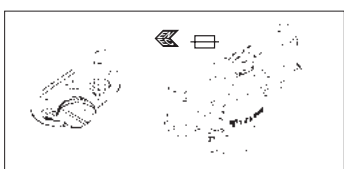
Zoom 1						
		CNRL		CELL		Lamps (Ta=25°C)
wattage/W	colour	weight	code	weight	code	Kelvin - h - ølm - Ra
CDM-T 35	white	4,00	22290015-00			3000K - 12000h - 3400lm - Ra 84
CDM-T 35	m. silver	4,00	22290075-00			
CDM-T 50 Elite	white			4,00	22290017-00	3000K - 12000h - 5400lm - Ra 90
CDM-T 50 Elite	m. silver			4,00	22290077-00	



Global Power Adapter	
white	22093415-00
black	22093435-00
m. silver	22093475-00



Zoom 2				
		CELL		Lamps (Ta=25°C)
wattage/W	colour	weight	code	Kelvin - h - ølm - Ra
CDM-T 70	white	5,00	22290116-00	3000K - 12000h - 6200lm - Ra 83
CDM-T 70	m. silver	5,00	22290176-00	



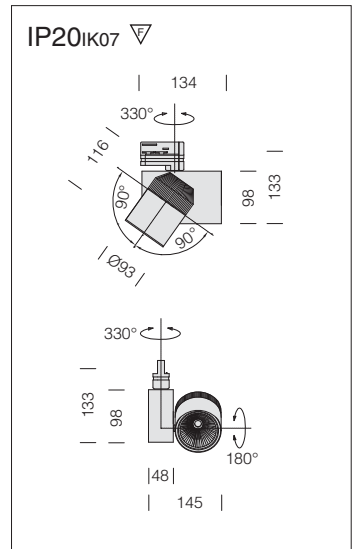
Mechanical + Power Adapter	
grey	22093371-00
To be used for track installation. Maximum load: 20 kg.	



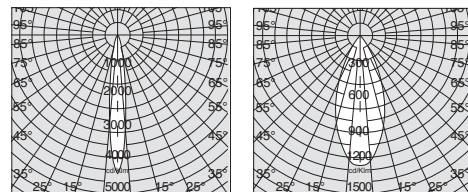
Base	
m. silver	22091470-00
Base for wall or ceiling installation.	



CDM-TC...MT  
G8,5



		<b>Jolly 4</b>			
		<b>CELL</b>		<b>Lamps (Ta=25°C)</b>	
wattage/W	colour	weight	code	Kelvin - ølm - Ra - degrees	
CDM-TC Elite 35	white	2,00	22102410-00	3000K - 4000lm - Ra90 - 23°	
CDM-TC Elite 35	black	2,00	22102430-00		



On request: narrow or wide beam.

**Housing:** Die-cast aluminium with wide cooling fins.

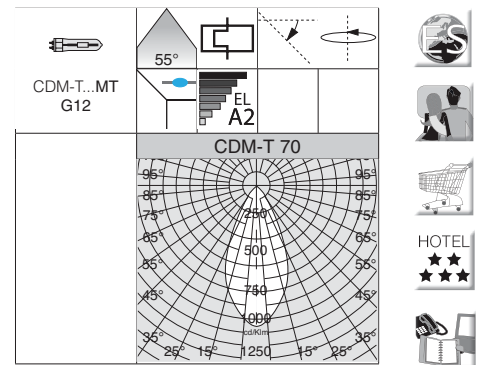
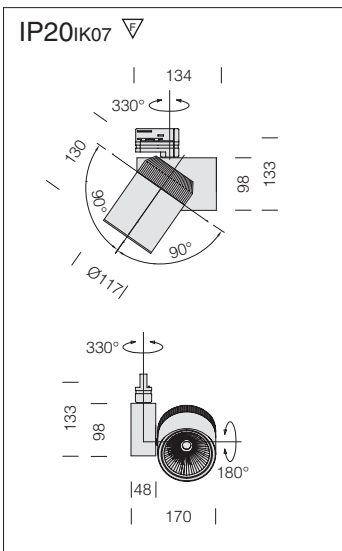
**Reflector:** Polished anodised aluminium.

**Coating:** Power-coated with a UV-resistant polyester epoxy paint.

**Regulations:** Manufactured in accordance with EN 60598-1-CEI 34.21 standards. Degrees of protection in accordance with EN60529 standards.

**Adpters:** available with universal Global adapter.

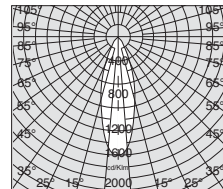
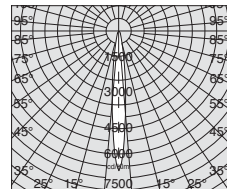




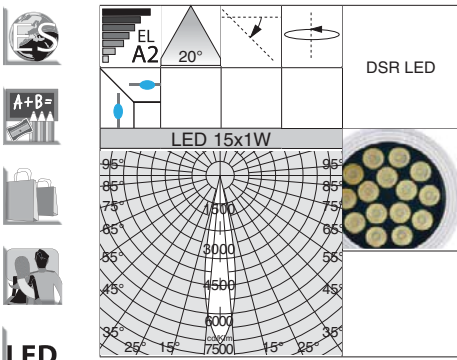
- 
- 
- 
- 
- 



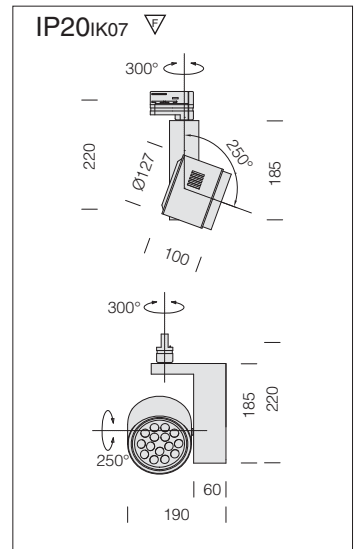
		<b>Jolly 5</b>			
		<b>CELL</b>		<b>Lamps (Ta=25°C)</b>	
wattage/W	colour	weight	code	Kelvin - ølm - Ra - degrees	
CDM-T Elite 70	white	2,50	22102510-00	3000K - 7750lm - Ra90 - 55°	
CDM-T Elite 70	black	2,50	22102530-00		



On request: narrow or medium beam.

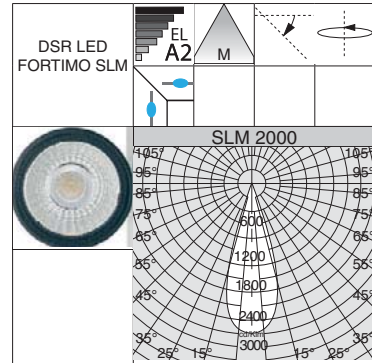
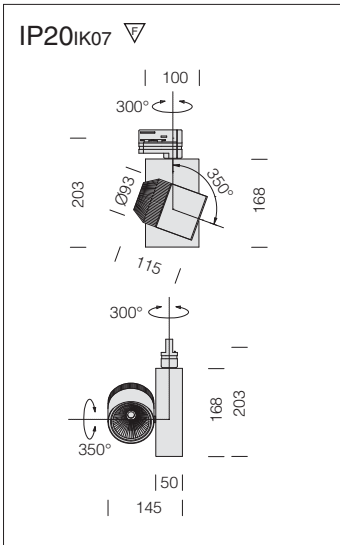


LED



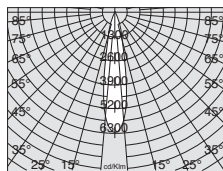
**Jolly 3**

		CLD CELL			LED (Ta=25°C)	
wattage/W	colour	weight	code	W tot.	Kelvin - ølm (350 mA) - CRI - degrees	
<b>LED 15x1W</b>	white	1,60	22102310-00	<b>18</b>	3000K - 910lm - CRI80 - 20°	

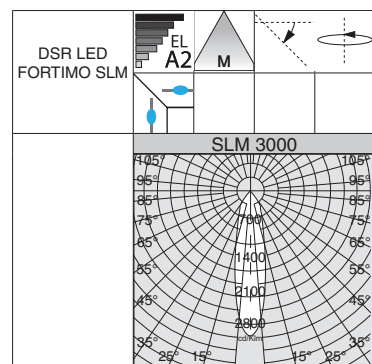
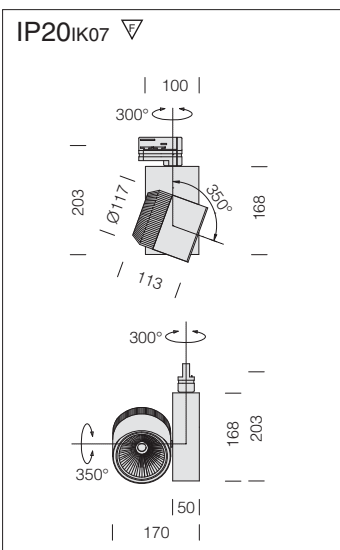


		Jolly 1 - SLM 2000			
		CLD CELL		LED (Ta=25°C)	
wattage/W	colour	weight	code	W tot.	Kelvin - ølm - CRI
SLM 2000 19W	white	1,10	22102110-00	22	3000K - 2000lm - CRI80
SLM 2000 18W	white	1,10	22102111-00	21	4000K - 2000lm - CRI80

medium beam angle standard

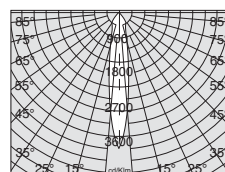
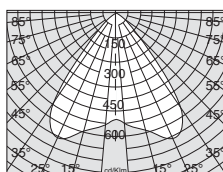


On request: narrow or wide beam angle.



		Jolly 2 - SLM 3000			
		CLD CELL		LED (Ta=25°C)	
wattage/W	colour	weight	code	W tot.	Kelvin - ølm - CRI
SLM 3000 28W	white	1,80	22102313-00	32	3000K - 3000lm - CRI85
SLM 3000 26W	white	1,80	22102314-00	30	4000K - 3000lm - CRI85

medium beam angle standard



On request: narrow or wide beam angle.



LED

new



HOTEL  
★★★

LED

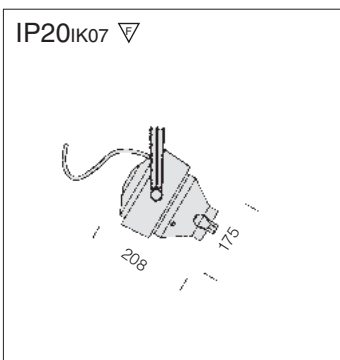
new



**On request:**

- Track version with "balanced" housing position to optimise weight and the product appearance.
- Wall version with direct/ indirect light bracket, possibility of using AR111 and CDM lamps.



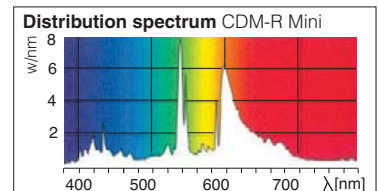
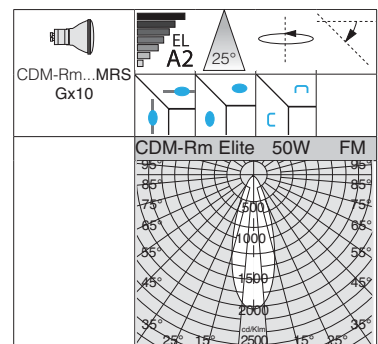


**Housing:** Die-cast aluminium with wide cooling fins.

**Coating:** Power-coated with a UV-resistant polyester epoxy paint.

**Standard supply:** Only supplied with an aluminium bracket for attaching the base or the track mounting adapter.

**Regulations:** Manufactured in accordance with EN 60598-1-CEI 34.21 standards. Degrees of protection in accordance with EN60529 standards.



Gotham - CDM-R Mini				
		CELL		Lamps (Ta=25°C)
wattage/W	colour	weight	code	Kelvin - cd - Ra - degrees
CDM-Rm Elite 50	m. silver	1,60	22260171-00	3000K - 10400cd - Ra 90 - 25°
Version supplied with bracket and power cable only. To be used with power adapter plus mechanical connection acc. 22093371/93315/93334-00 for track mounting.				

CDM-R Mini saves up to 60% more energy than halogen lamps. It offers higher energy yield and excellent colour stability.

CMH-TS 35W  
 EL 220V A2 240V  
 CDM-R111... MRS Gx8,5  
 CDM-T...MT G12



IP20IK07

**Diffuser:** Complete with protective glass.

Version supplied with bracket and electric cable only. To be used with acc. 22093371 /93315/93334-00 for track mounted applications.



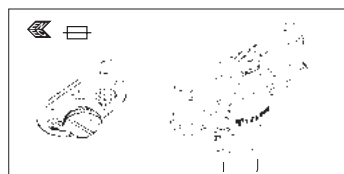
Gotham - LED AR					
		CLD CELL		LED (Ta=25°C)	
wattage/W	colour	weight	code	W tot.	Kelvin - ølm - degrees
LED AR	m. silver	2,10	22260374-00	26	3000K - 1780lm - 24°



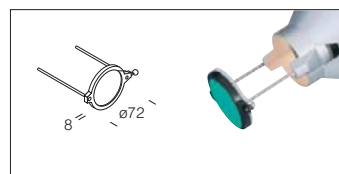
Gotham - MASTERLED AR111					
		CLD CTL		LED (Ta=25°C)	
wattage/W	colour	weight	code	W tot.	Kelvin - cd - ølm - CRI - degrees - h
MASTERLED AR111 10W	m. silver	1,80	22260372-00	11	3000K - 3370cd - 578lm CRI82 - 25° - 45000h
MASTERLED AR111 15W	m. silver	1,80	22260373-00	16	3000K - 4240cd - 745lm - CRI82 - 25° - 45000h



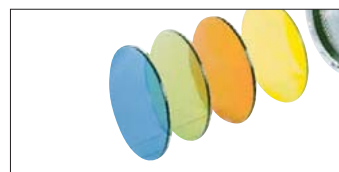
Gotham - CDM-T					
		CELL		Lamps (Ta=25°C)	
wattage/W	colour	weight	code	Kelvin - h - ølm - Ra	
CDM-T Elite 50	m. silver	2,10	22260475-00	3000K - 5500 lm - Ra 90	
CDM-T Elite 70	m. silver	2,10	22260479-00	3000K - 7800 lm - Ra 90	
CMH-TS 35	m. silver	2,10	22260473-00	3000K - 3400lm - Ra 82	



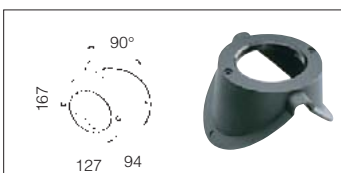
Mechanical + Power Adapter	
grey	22093371-00
To be used for track installation.	



Coloured Glass	
red	22005926-00
green	22005947-00
yellow	22005951-00
blue	22005982-00
For DICR.	



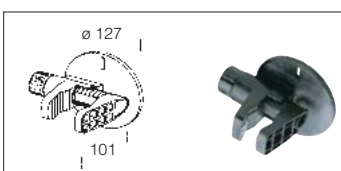
Coloured Glass Ø mm 131	
yellow	22005248-00
red	22005250-00
green	22005249-00
green	22005246-00
For ALO.	



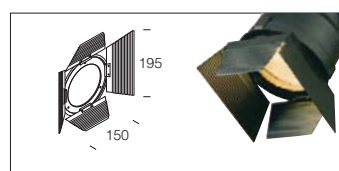
Angle support	
black	22091435-00
In fiberglass nylon. For application on a surface with external angle with fixing bracket.	



Base	
m. silver	22091470-00
Base for wall or ceiling installation.	

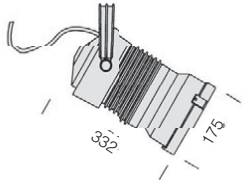


Clamp	
black	22091438-00
In fiber glass nylon. For provisional application a wide number of surfaces.	



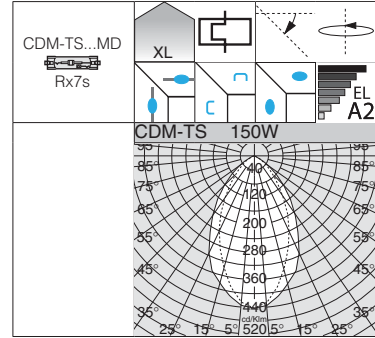
Anti-glare shutter Ømm 150	
black	22005230-00
In steel used to direct the light beam. For ALO, CDM-TS.	

IP20IK07 ▽



**Reflector:** in oxidized and polished aluminium.

**Diffuser:** protective glass.



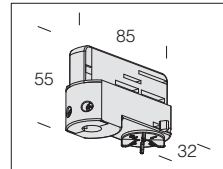
INTERIOR FLOODLIGHTS

**Gotham - CDM-TS**

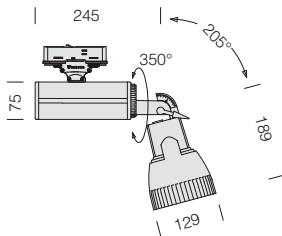
		CELL		Lamps (Ta=25°C)
wattage/W	colour	weight	code	Kelvin - ølm - Ra
CDM-TS 70	m. silver	4,70	22260473-08	3000K - 6500 lm - Ra 82
CDM-TS 150	m. silver	5,60	22260477-08	3000K - 13250 lm - Ra 88

**Power Adapter Global**

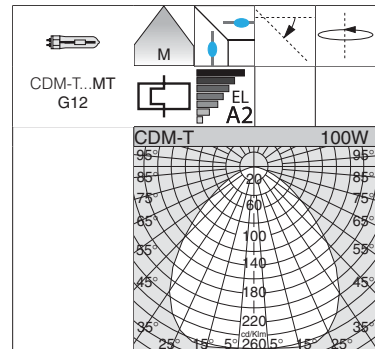
white	22093415-00
black	22093435-00
m. silver	22093475-00



IP40IK07 ▽



**Reflector:** In hammered aluminium for higher performance and improved light control.



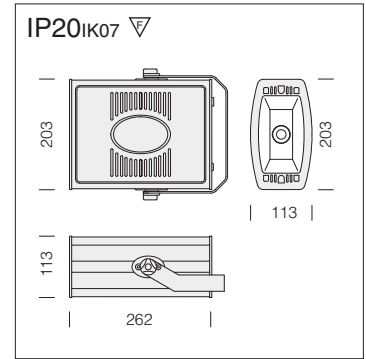
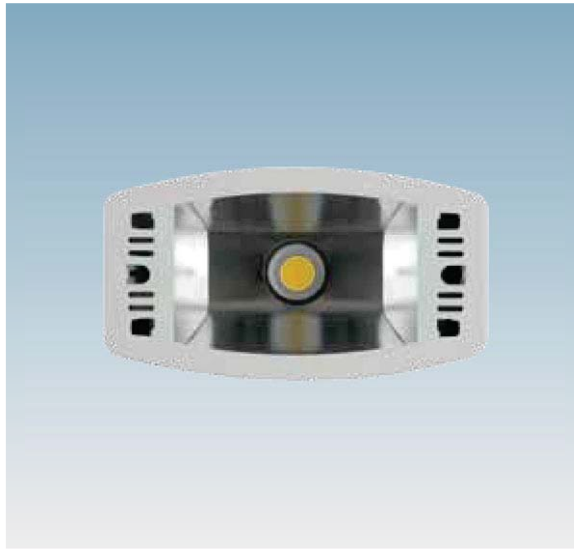
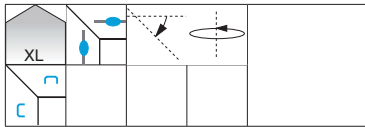
**Epik - electronic**

		CELL-F		Lamps (Ta=25°C)
wattage/W	colour	weight	code	Kelvin - ølm - Ra
CDM-T Elite 100	white	3,50	22243115-00	3000K - 11000 lm - Ra 90
CDM-T Elite 100	m. silver	3,50	22243175-00	

**Anti-glare shutter**

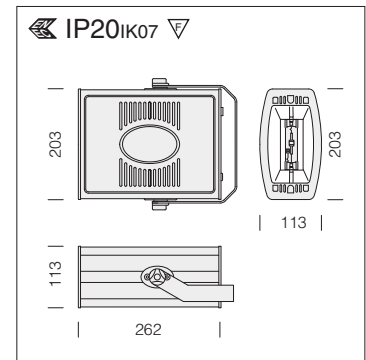
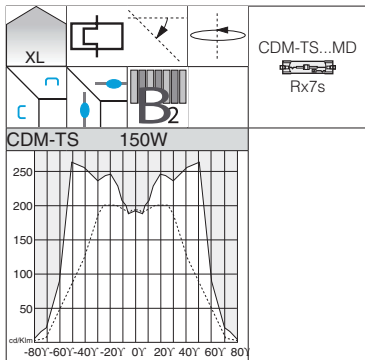
black	22005276-00
In steel. Permits control of the light beam.	





Trial-One - COB system - ENERGY SAVING					
wattage/W (1A)	colour	CLD CELL		W tot	LED (Ta=25°C)
		weight	code		Kelvin - ølm (1A) - CRI - beam angle
LED COB 37W	white	2,80	22347410-00	43	4000K - 4000lm - CRI 80 - XL
LED COB 37W	m. silver	2,80	22347470-00		
LED COB 36W	white	2,80	22347310-00	42	3000K - 3700lm - CRI 80 - XL
LED COB 36W	m. silver	2,80	22347370-00		

Version supplied with bracket only. Ceiling installation on track, together with acc. 22025305-00/10/31; wall installation on track together with acc. 22093315-00/71/34 or directly on the wall with base acc. 22091410-00/30/70.

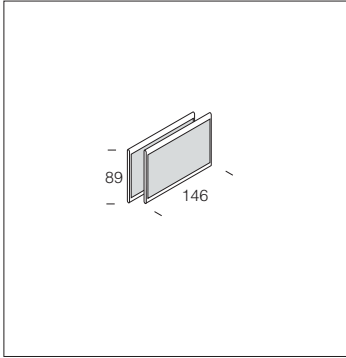


**Reflector:** High-performance hammered aluminium.

Trial-One					
wattage/W	colour	CNRL		Lamps (Ta=25°C)	Kelvin - ølm - Ra
		weight	code		
CMH-TS 35	white	3,80	22346712-85	3000K - 3400lm - Ra 82	
CMH-TS 35	black	3,80	22346732-85		
CMH-TS 35	m. silver	3,80	22346772-85		
CDM-TS 70	white	3,80	22346812-85	3000K - 6500 lm - Ra 82	
CDM-TS 70	black	3,80	22346832-85		
CDM-TS 70	m. silver	3,80	22346872-85		
CDM-TS 150	white	5,00	22346913-85	3000K - 13250 lm - Ra 90	
CDM-TS 150	black	5,00	22346933-85		
CDM-TS 150	m. silver	5,00	22346973-85		

Version supplied with bracket only. Ceiling installation on track, together with acc. 22025305-00/10/31 (for max: 70W); wall installation on track together with acc. 22093315-00/71/34 or directly on the wall with base acc. 22091410-00/30/70. With WDL lamp.





<b>Filter for fruit</b>	
22005255-00	
Ideal for enhancing goods displayed in shops or fruit and vegetable departments.	



<b>Filter for bakery</b>	
22005253-00	
Ideal for enhancing goods displayed in bakeries.	



<b>Filter for vegetables</b>	
22005256-00	
Ideal for enhancing goods displayed in shops or vegetable departments.	



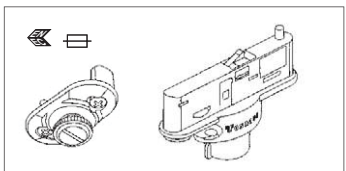
<b>Filter for fishmonger</b>	
22005254-00	
Ideal for enhancing goods displayed in fishmonger or seafood departments.	



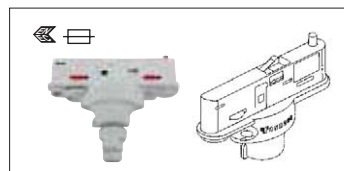
<b>Filter for fabrics</b>	
22005258-00	
Ideal for enhancing goods displayed in shops or in fabric departments.	



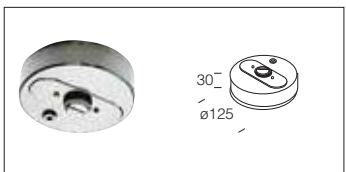
<b>Filter for butcher's shops</b>	
22005257-00	
Ideal for enhancing red meat.	



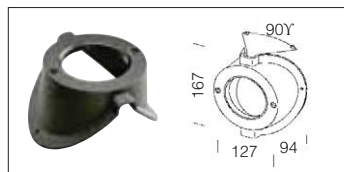
<b>Mechanical + Power Adapter</b>	
white	22093315-00
grey	22093371-00
black	22093334-00
To be used for track installation.	



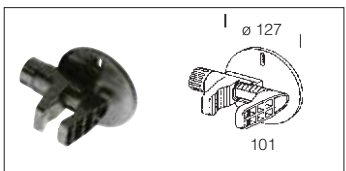
<b>Power adapter</b>	
white	22025305-00
grey	22025310-00
black	22025331-00
dark grey	22025372-00
Universal adapter. To be used when using Omnitrack	



<b>Base</b>	
white	22091410-00
black	22091430-00
m. silver	22091470-00
Base for wall or ceiling installation.	



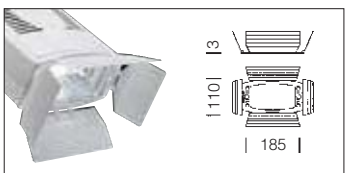
<b>Angle support</b>	
black	22091435-00
In fiberglass nylon. For application on a surface with external angle with fixing bracket.	



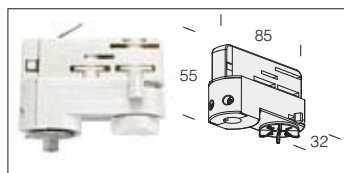
<b>Clamp</b>	
black	22091438-00
In fiberglass nylon. For provisional application on a wide number of surfaces.	



<b>Glass-spare part</b>	
U.V. Stop	22094533-00
TEMP.	22094417-00
SANDBLASTED	22094477-00



<b>Four-Sided Shutter</b>	
white	22091314-00
black	22091334-00
m. silver	22091374-00
In steel. Used to direct the light beam.	



<b>Power adapter Global</b>	
white	22093415-00
black	22093435-00
m. silver	22093475-00



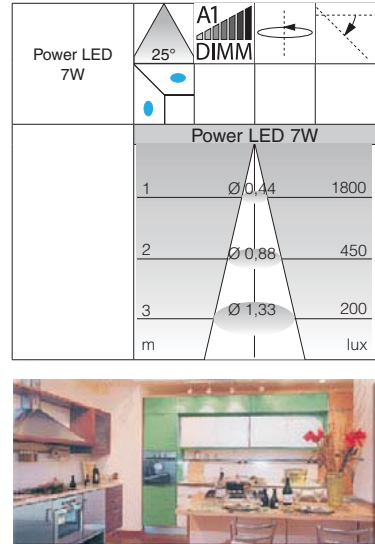
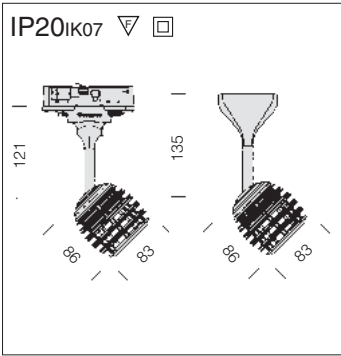
Lighting of objects requires carefully balanced light/shadow and luminous effects, bringing to life the area to be illuminated. The new line of Kim2 spotlights, with its clean outline and modern design, is ideal when creating just the kind of contrast and ambience we have in mind.

**Housing:** High-temperature resistant techno-polymer.

**Standard supply:** Supplied with adapter in track mounted versions.

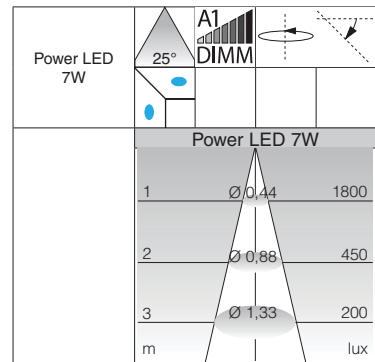
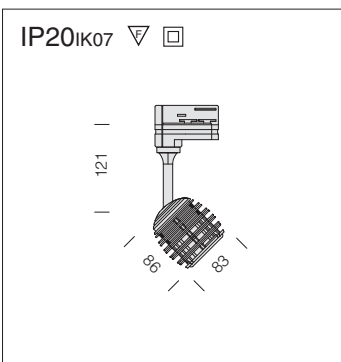
**Regulations:** Manufactured in accordance with EN 60598-1-CEI 34.21 standards. Degrees of protection in accordance with EN60529 standards.





new

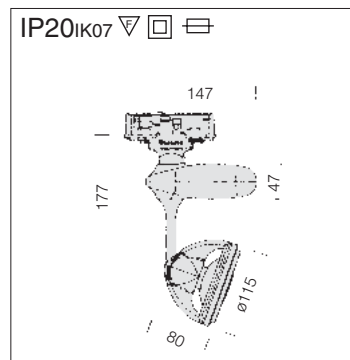
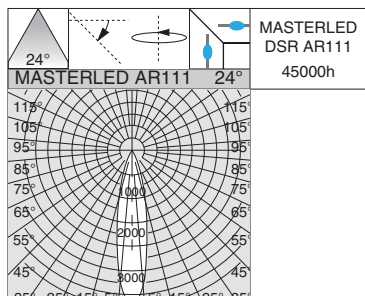
Kim 2 - POWER LED 7W - DIMM					
		CLD CELLF-D for omnitrack		CLD CELL-D base	
wattage/W	colour	weight	code	code	W tot
POWER LED 7W	white	0,30	22031011-00	22041011-00	7
POWER LED 7W	black	0,30	22031031-00	22041031-00	
					LED (Ta=25°C)
					Kelvin - ølm - CRI - degrees
					3000K - 450lm - CRI80 - 25°



new

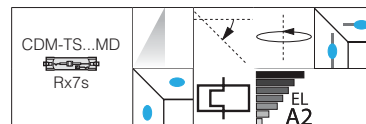
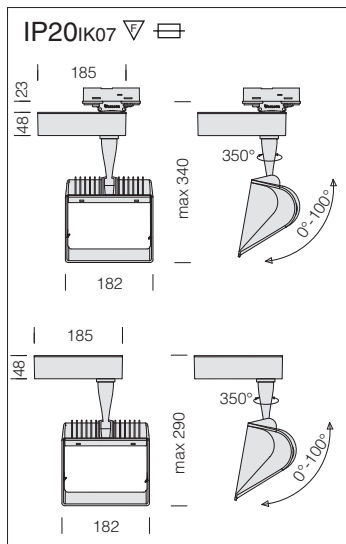
Kim 2 - GLOBAL track - POWER LED 7W - DIMM					
		CLD CELL-D		LED (Ta=25°C)	
wattage/W	colour	weight	code	W tot	Kelvin - ølm - CRI - degrees
POWER LED 7W	white	0,40	22031910-00	7	3000K - 450lm - CRI80 - 25°
POWER LED 7W	black	0,40	22031930-00		
POWER LED 7W	m. silver	0,40	22031970-00		





**Housing:** High-temperature resistant techno-polymer.

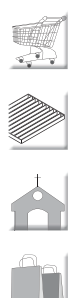
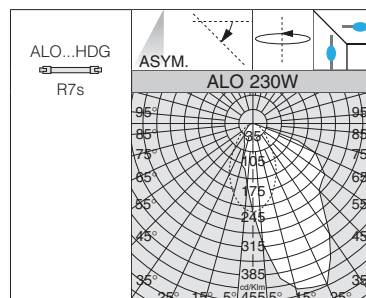
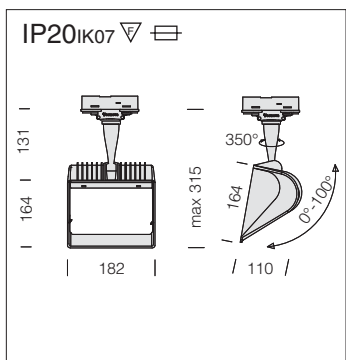
Joy - MASTERLED AR111							
wattage/W	colour	CLD CELL-F para Omnitrack		CLD CELL base		W tot	LED (Ta=25°C)
		weight	code	weight	code		Kelvin - cd - ølm - degrees
MASTERLED AR111 10W	white	0,40	22031717-00	0,40	22041716-00	11	3000K - 3370cd - 578lm CRI82 - 25°
MASTERLED AR111 10W	black	0,40	22031737-00	0,40	22041736-00		
MASTERLED AR111 10W	m. silver	0,40	22031777-00	0,40	22041776-00		
MASTERLED AR111 15W	white	0,40	22031718-00	0,40	22041717-00	16	3000K - 4240cd - 745lm - CRI82 - 25°
MASTERLED AR111 15W	black	0,40	22031738-00	0,40	22041737-00		
MASTERLED AR111 15W	m. silver	0,40	22031778-00	0,40	22041777-00		



new

**Fix 3**

		CELL-F for Omnitrack		CELL base		Lamps (Ta=25°C)
wattage/W	colour	weight	code	weight	code	Kelvin - ølm - Ra
CDM-TS 70	white	1,30	22037811-00	1,30	22047811-00	3000K - 6500lm - Ra 82
CDM-TS 70	m. silver	1,30	22037871-00	1,30	22047871-00	



**Housing:** Die-cast aluminium with cooling fins.

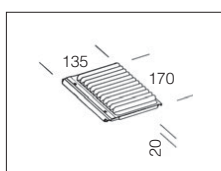
**Reflector:** Asymmetric; high-performance hammered aluminium.

**Coating:** Power-coated with a UV-resistant polyester epoxy paint, applied after a phosphochromate treatment.

**Fix 2 - for Omnitrack**

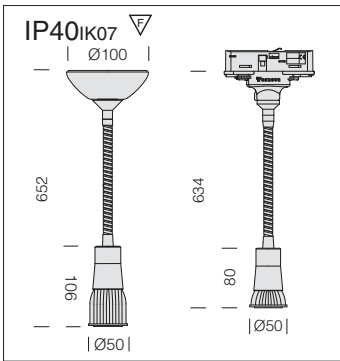
		S+F	
wattage/W	colour	weight	code
ALO 230W max	m. silver	1,30	22037970-00

Complete with track adapter and protective glass front cover, without baffle louvre (to be ordered separately).



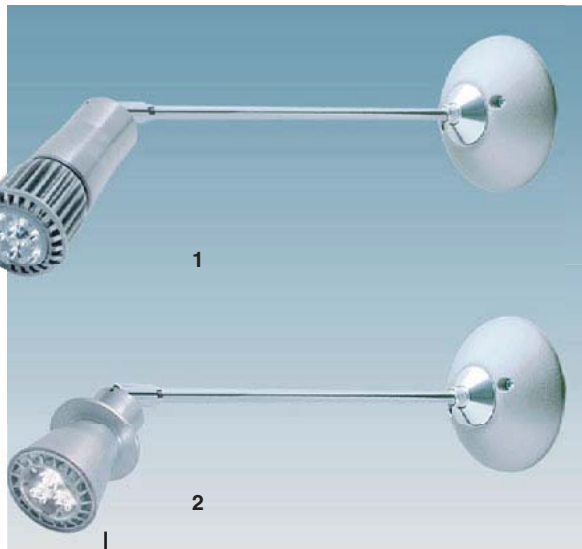
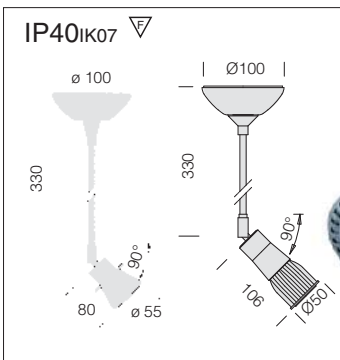
Louvre	
m. silver	22091071-00
In steel. For glare reduction and light beam direction.	





Stelo FLEX - MASTERLED - base				
		CLD CELL		LED (Ta=25°C)
wattage/W	colour	weight	code	W tot
MASTERLED 7W	chrome	1.00	22605265-00	7
				Kelvin - ølm - degrees
				3000K - 310lm - 25°

Stelo FLEX - MASTERLED - omnitrack				
		CLD CELL-F		LED (Ta=25°C)
wattage/W	colour	weight	code	W tot
MASTERLED 5,5W	chrome	1.00	22605266-00	5,5
				Kelvin - ølm - degrees
				2700K - 270lm - 25°



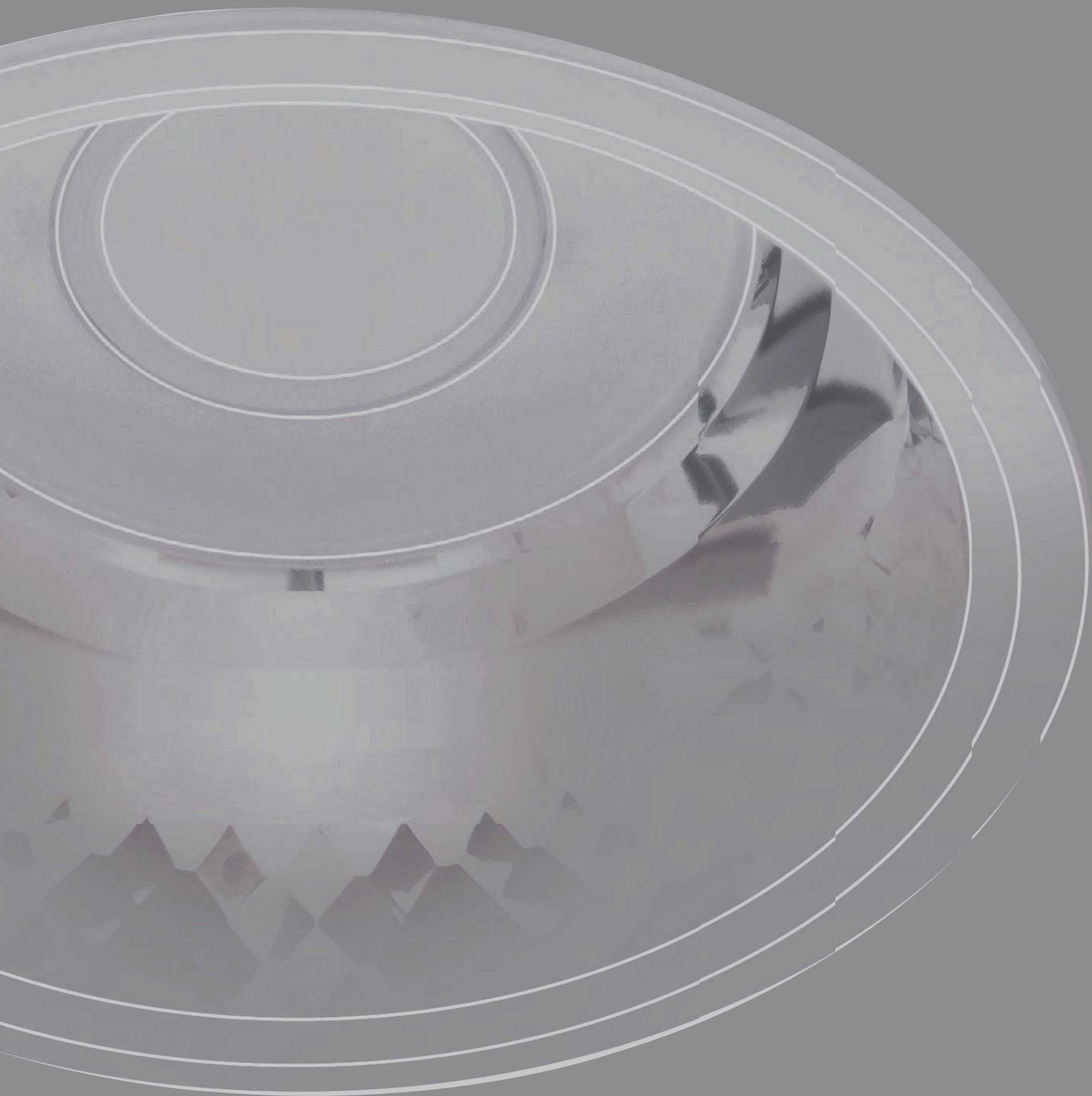
DR LED GU10		25°	30°	A1	DIMM
		220V 240V			
Power LED 7W					
1	Ø 0,44	1800			
2	Ø 0,88	450			
3	Ø 1,33	200			
m		lux			

**Housing:** in aluminium, adjustable, equipped with steel tube, both chromium-plated.

Stelo - LED 7W - DIMM - 1				
		CLD CELL-D		LED (Ta=25°C)
wattage/W	colour	weight	code	W tot
LED 7W	chrome	1,00	22605168-00	8
				Kelvin - ølm - degrees
				3000K - 450lm - 30°

Stelo 3 - POWER LED 7W - DIMM - 2				
		CLD CELL-D		LED (Ta=25°C)
wattage/W	colour	weight	code	W tot
POWER LED 7W	chrome	0,60	22605169-00	7
				Kelvin - ølm - CRI - degrees
				3000K - 450lm - CRI80 - 25°









Aosta p. 248



Argostar p. 217

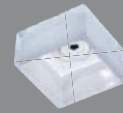
*new*



Atlas p. 194



Carré p. 252



Cristal p. 240



Deimos p. 226



Energy 2000 p. 208  
Energy p. 212



Euro p. 214



Glass p. 238



JF p. 202



KF p. 200



Lex p. 206



Lift p. 231



M45 p. 236



M60 p. 232

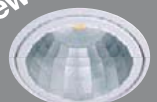


Marte p. 230



Metis p. 224

*new*



Milano p. 172



Milano Small p. 186

*new*



Mini Lex p. 204

*new*



Maxi Lex p. 205

*new*



Office p. 158



Office p. 242



Petit p. 235



Q45 p. 254



Roma p. 190

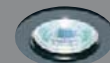


Shell p. 218

*new*



Snow p. 188



Sirio p. 229



Step p. 230



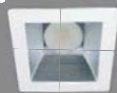
Torino p. 246

*new*



Trial LED p. 256

*new*



Velvet p. 170



Upgrading the lighting system of a store can significantly improve the management of the store itself. In fact, LEDs ensure energy savings, long life and easy maintenance. These are ideal requirements for lighting fixtures that need to stay on all day.

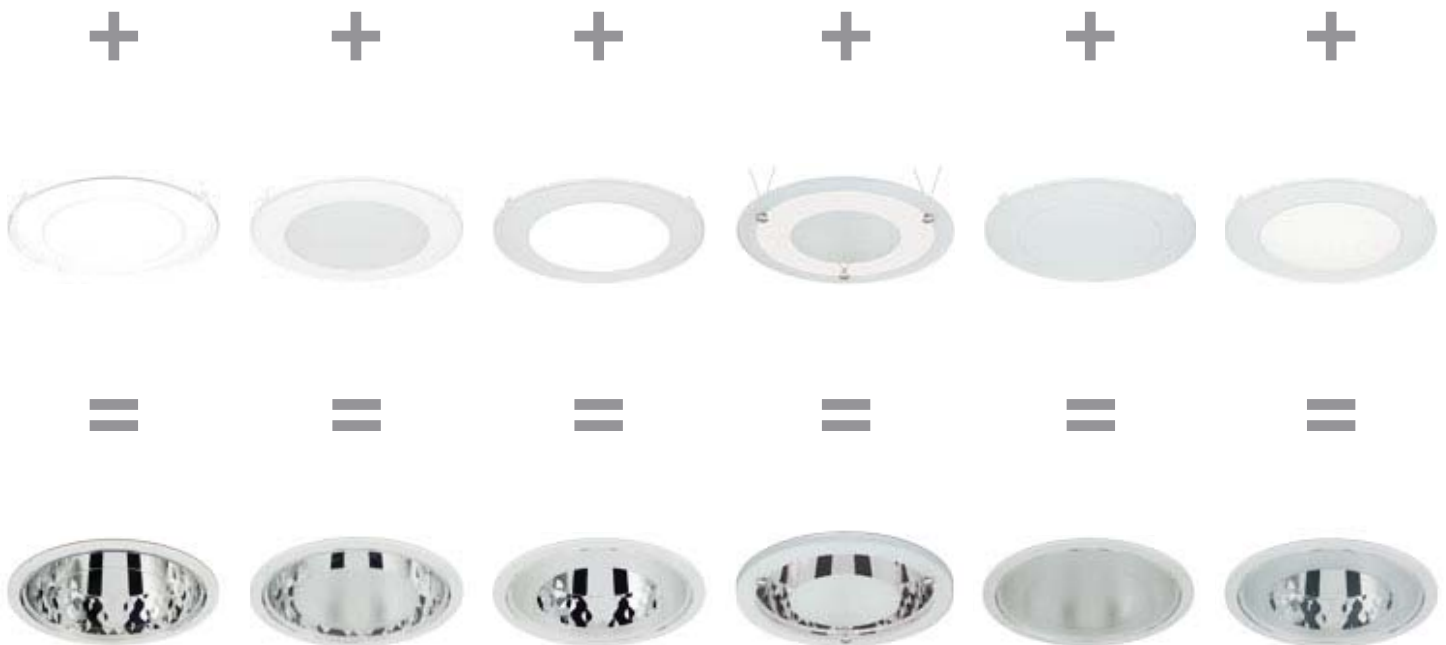
**Housing-reflector:** in V2 shatterproof, self-extinguishing polycarbonate, coated with high-performance aluminium powder and equipped with anti-reflection and anti-glare optics. Perimeter border on the false ceiling has white or aluminium coloured photogravure finishing. Support bracket in galvanised steel with housings for fastening springs made in galvanised steel wire for false ceiling mounting. Shielding at 65°.

**Standard:** manufactured pursuant to EN 60598-1-CEI 34-21 and with a degree of protection pursuant to EN 60529

#### Benefits

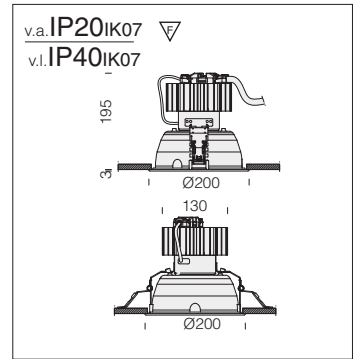
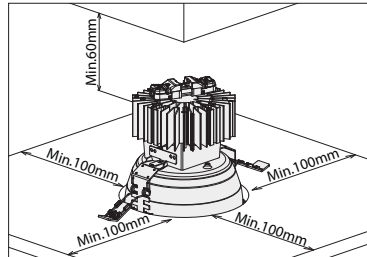
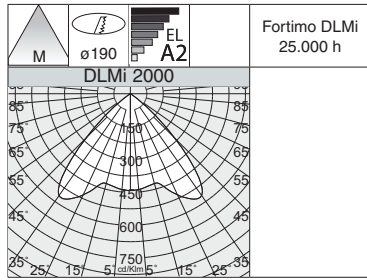
- No maintenance
- Selection of different colour temperatures
- Easy installation
- Photobiological risk: Exempt Group
- Low initial investment
- ZHAGA module
- Interchangeable LED disc





**“LOOP-IN”**

“**LOOP-IN**” refers to a connection system to the mains power supply of two or more lighting fixtures, where each conductor comes in and out of the same terminal. Office comes with a range of terminals, enabling fitters to plug the power supply cable into the internal electrical circuit through automatic wire clamps. The rated current of the loop-in terminal is set at **16A** for these connections.



confronto	<b>DLMi</b>	PLC 2x26
lm	<b>2000lm</b>	1800lm
K	<b>3000K/4000K</b>	3000K/4000K
CRI	<b>CRI80</b>	CRI80
lm/W	<b>72/76</b>	73
Hours	<b>25.000h</b>	11.000h
DIMM	<b>/</b>	DALI

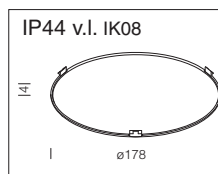
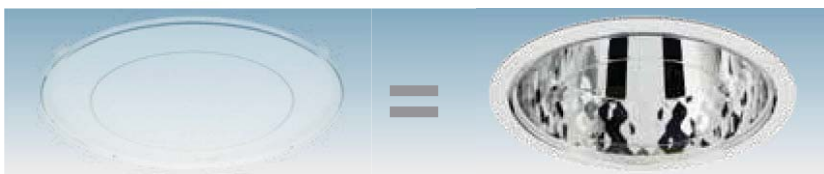


Office 2000 - DLMi					
		CLD CELL		LED (Ta=25°C)	
wattage/W	colour	weight	code	W tot	Kelvin - ølm - CRI
<b>DLMi 2000</b>	aluminum	1.10	22152313-00	<b>28</b>	3000K - 2000lm - CRI 80
<b>DLMi 2000</b>	aluminum	1.10	22152310-00	<b>26</b>	4000K - 2000lm - CRI 80

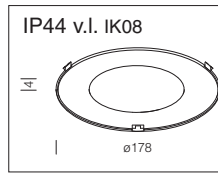
3000K



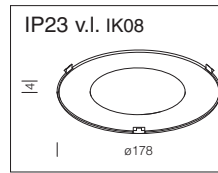
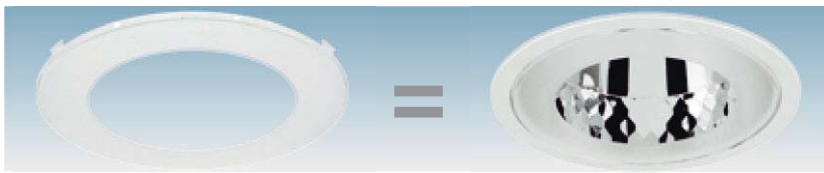
4000K



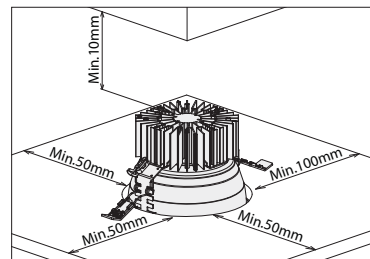
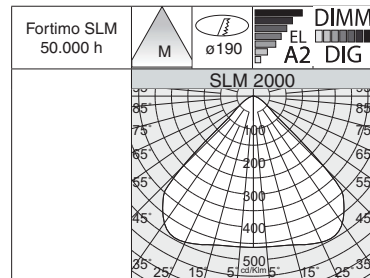
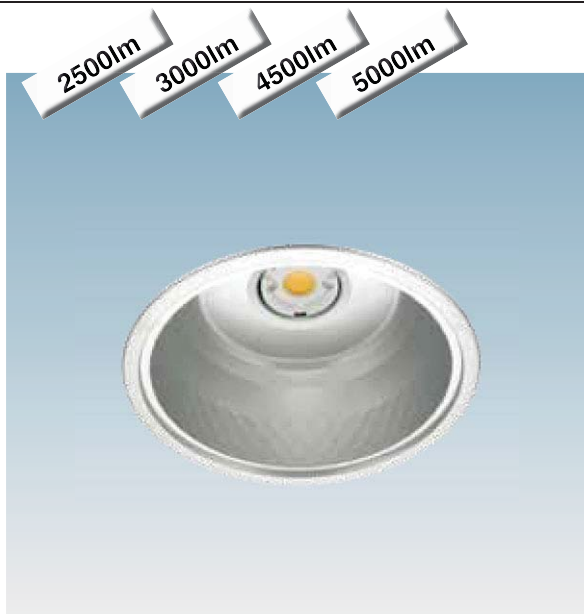
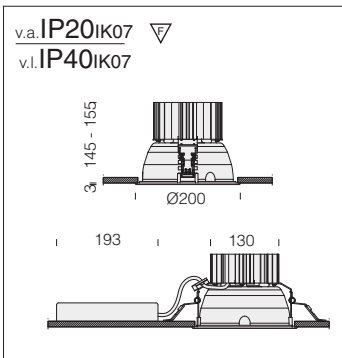
<b>Clear diffuser</b>
22092210-00
In polycarbonate.



<b>Internal silk-screen printed diffuser</b>
22092213-00
In polycarbonate, silk-screen printed in the middle, anti-glare.



<b>Silk-screen printed diffuser with central hole</b>
22092214-00
In polycarbonate, silk-screen printed along the edges, central hole for decorative effect and to allow air circulation.



comparison	SLM	PLC 2x26
lm	2000lm/3000lm	1800lm
K	3000K/4000K	3000K/4000K
CRI	CRI80/CRI90	CRI80
lm/W	91/98	73
Hours	50.000h	11.000h
DIMM	DALI	DALI

**Office 3000**

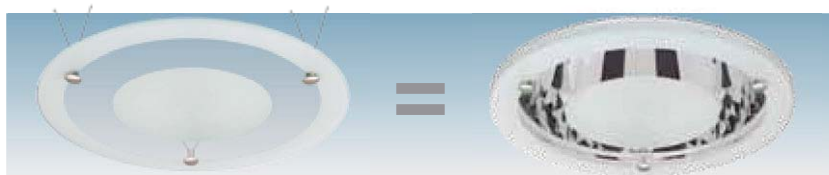
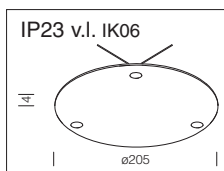
		CLD CELL		CLD CELLD-DIG		LED (Ta=25°C)	
wattage/W	colour	weight	code	code	W tot	Kelvin - ølm - CRI	
25W LED white	aluminum	1.10	22152415-00		25	3000K - 2000lm - CRI 80	
25W LED white	aluminum	1.10	22152414-00			4000K - 2000lm - CRI 90	
SLM 3000 GEN III 28W	aluminum	1.10	22152413-00	22152413-1241	32	3000K - 3000lm - CRI 80	
SLM 3000 GEN III 26W	aluminum	1.10	22152410-00	22152410-1241	30	4000K - 3000lm - CRI 90	
SLM 4500 GEN III 45W	aluminum	1.10	22152416-00		53	3000K - 4500lm - CRI 80	
SLM 4500 GEN III 43W	aluminum	1.10	22152417-00		51	4000K - 4500lm - CRI 90	

**Ecooffice**

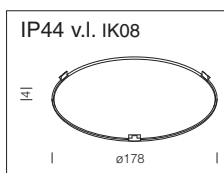
		CLD CELL		LED (Ta=25°C)	
wattage/W	colour	weight	code	W tot	Kelvin - ølm - CRI
Luxeon 3000 31W	aluminum	1.10	22152411-00	36	3000K - 3000lm - CRI 80
COB 5000 Sharp XFC	aluminum	1.10	22152412-00	49	4000K - 5000lm - CRI 93



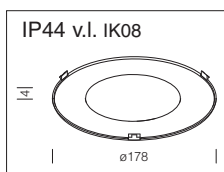
<b>Silk-screen printed glass</b>
22092215-00



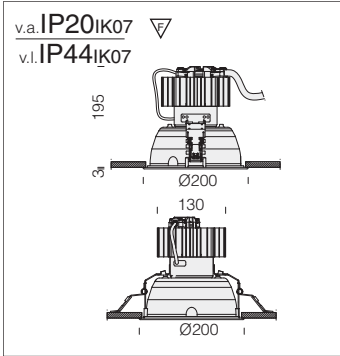
<b>Silk-screen printed diffuser</b>
22092211-00
In anti-glare silk-screen printed polycarbonate.



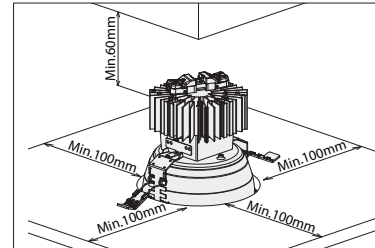
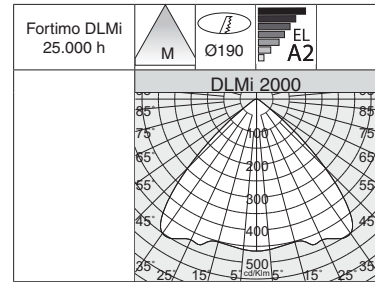
<b>External silk-screen printed diffuser</b>
22092212-00
In polycarbonate, silk-screen printed along the edges for side light control.



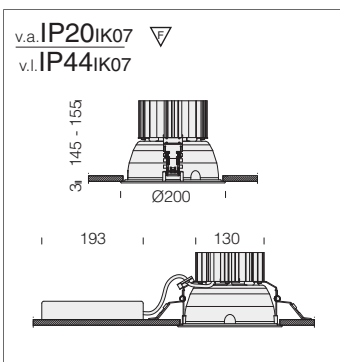




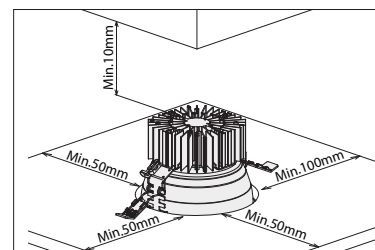
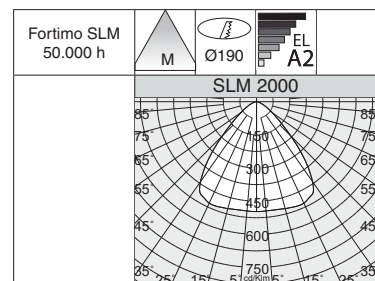
Supplied with internal silk-screen printed diffuser.



Office 2000 - DLMi					
		CLD CELL		LED (Ta=25°C)	
wattage/W	colour	weight	code	W tot	Kelvin - ølm - CRI
DLMi 2000	aluminum	1.10	22152318-00	28	3000K - 2000lm - CRI 80
DLMi 2000	aluminum	1.10	22152319-00	26	4000K - 2000lm - CRI 80



Supplied with silk-screen printed diffuser.



Office 2000 - SLM GEN III					
		CLD CELL		LED (Ta=25°C)	
wattage/W	colour	weight	code	W tot	Kelvin - ølm - CRI
25W LED white	aluminum	1.10	22152418-00	25	3000K - 2500lm - CRI 80
25W LED white	aluminum	1.10	22152419-00		4000K - 2500lm - CRI 90



LED  
new

MAIN A1 CONTROL SYSTEM DIMM

FLC-S/E...FSD 2G7

FLC-D/E...FSQ G24

13W = G24 q-1  
18W = G24 q-2  
26W = G24 q-3

Emergency version



v.a. IP20IK07  
v.l. IP23IK07

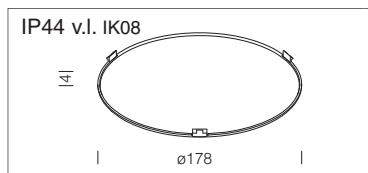
ø205

116  
2  
340  
158

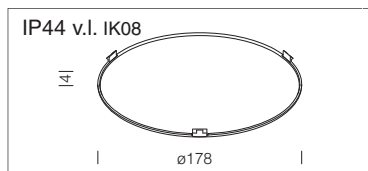
**Reflector:** V2 self-extinguishing polycarbonate, metallized with aluminium powders through a C.V.D. hard-vacuum process for greater luminous efficiency and improved light control, IP44 with diffuser.  
**On request:** aluminium rim

Office 1 - 65° - with white rim						
		CELL		CELL-E		Lamps (Ta=25°C)
wattage/W	colour	weight	code	weight	code	Kelvin - ølm - Ra
FLC-S/E 1x7	white	0,50	22151917-00	1,60	22151917-09	4000K - 400 lm - Ra 1b
FLC-S/E 1x9	white	0,50	22151919-00	1,60	22151919-09	4000K - 600 lm - Ra 1b
FLC-D/E 1x13	white	0,60	22151910-00	1,70	22151910-09	4000K - 900 lm - Ra 1b
FLC-D/E 1x18	white	0,60	22151911-00	1,70	22151911-09	4000K - 1200 lm - Ra 1b
FLC-D/E 1x26	white	0,60	22151913-00			4000K - 1800 lm - Ra 1b

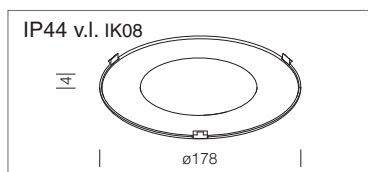
ENEc mark for versions: FLC-D/E 1x13, 1x18 and 1x26.



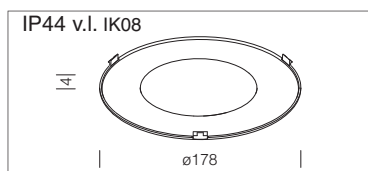
**Clear diffuser**  
22092210-00  
In polycarbonate.



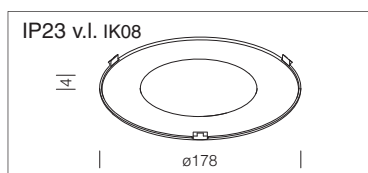
**Silk-screen printed diffuser**  
22092211-00  
In anti-glare silk-screen printed polycarbonate.



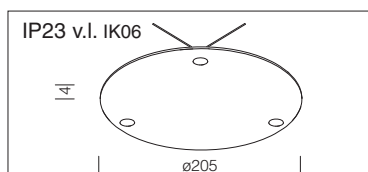
**External silk-screen printed diffuser**  
22092212-00  
In polycarbonate, silk-screen printed along the edges for side light control.



**Internal silk-screen printed diffuser**  
22092213-00  
In polycarbonate, silk-screen printed in the middle, anti-glare.

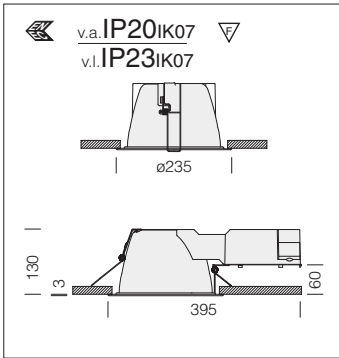


**Silk-screen printed diffuser with central hole**  
22092214-00  
In polycarbonate, silk-screen printed along the edges, central hole for decorative effect and to allow air circulation.



**Silk-screen printed glass**  
22092215-00





FLC-D/E...FSQ  
G24  
13W = G24 q-1  
18W = G24 q-2  
26W = G24 q-3

Ø220

B2 EL A2

MAIN CONTROL SYSTEM

EM

FLC-D 2x26 W

FLC-D...FSQ  
G24  
13W = G24 d-1  
18W = G24 d-2  
26W = G24 d-3

FLC-T/E  
Gx24  
32W = Gx24 q-3

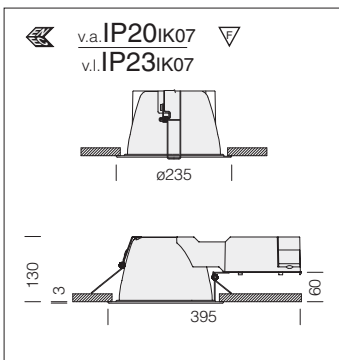
emergency version



**Reflector:** V2 self-extinguishing polycarbonate, metallized with aluminium powders through a C.V.D. hard-vacuum process for greater luminous efficiency and improved light control.

**Office 2 - 65° - with aluminium rim - 4000K**

wattage/W	colour	CNRL		CNRL-E		CELL		CELL-E	
		weight	code	weight	code	weight	code	weight	code
FLC-D 1x26	aluminium	1,50	22152012-00						
FLC-D 2x13	aluminium	1,90	22152015-00						
FLC-D 2x18	aluminium	1,90	22152016-00						
FLC-D 2x26	aluminium	2,00	22152017-00						
FLC-D/E 1x26	aluminium					1,30	22152012-08	2,40	22152012-09
FLC-D/E 2x13	aluminium					1,30	22152015-08	2,40	22152015-09
FLC-D/E 2x18	aluminium					1,30	22152016-08	2,40	22152016-09
FLC-D/E 2x26	aluminium					1,30	22152017-08	2,40	22152017-09
FLC-D-D/E 1x26	aluminium			1,60	22152012-07				
FLC-D-D/E 2x13	aluminium			2,00	22152015-07				
FLC-D-D/E 2x18	aluminium			2,00	22152016-07				
FLC-D-D/E 2x26	aluminium			2,10	22152017-07				
FLC-T/E 1x32	aluminium					1,30	22152013-00	2,40	22152013-09



FLC-D/E...FSQ  
G24  
13W = G24 q-1  
18W = G24 q-2  
26W = G24 q-3

Ø220

A1 DIMM EM

DIMM DIG

FLC-D/E 2x26 W

FLC-D...FSQ  
G24  
13W = G24 d-1  
18W = G24 d-2  
26W = G24 d-3

FLC-T/E  
Gx24  
32W = Gx24 q-3

emergency version



**Reflector:** V2 self-extinguishing polycarbonate, metallized with aluminium powders through a C.V.D. hard-vacuum process for greater luminous efficiency and improved light control.

**Office 2 - 65° - with aluminium rim - DIMM**

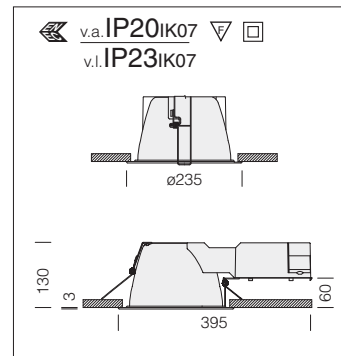
wattage/W	colour	CELL-D (1-10V)		CELLD-E (1-10V)		Lamps (Ta=25°C)
		weight	code	weight	code	Kelvin - ølm - Ra
FLC-D/E 1x26	aluminium	1,30	22152012-12	2,40	22152012-94	4000K - 1800 lm - Ra 1b
FLC-D/E 2x13	aluminium	1,40	22152015-12	2,50	22152015-94	4000K - 900 lm - Ra 1b
FLC-D/E 2x18	aluminium	1,40	22152016-12	2,50	22152016-94	4000K - 1200 lm - Ra 1b
FLC-D/E 2x26	aluminium	1,40	22152017-12	2,50	22152017-94	4000K - 1800 lm - Ra 1b

**Office 2 - 65° - with aluminium rim - DIMM**

wattage/W	colour	CELLD-DIG (dali)		CELLD-DIG-E (dali)		Lamps (Ta=25°C)
		weight	code	weight	code	Kelvin - ølm - Ra
FLC-D/E 2x26	aluminium	1,40	22152017-1241	2,50	22152017-9441	4000K - 1800 lm - Ra 1b



M	Ø220	B2	EL A2	FLC-D...FSQ G24
MAIN CONTROL SYSTEM	A1	DIMM	DIG	13W = G24 d-1 18W = G24 d-2 26W = G24 d-3
FLC-D 2x26 W				FLC-D/E...FSQ G24
				13W = G24 q-1 18W = G24 q-2 26W = G24 q-3



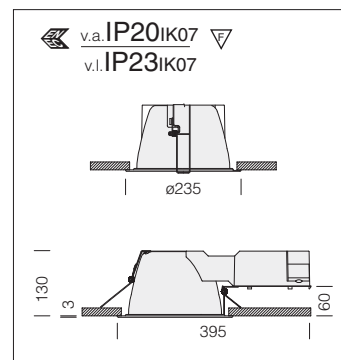
**Reflector:** V2 self-extinguishing polycarbonate, metallized with aluminium powders through a C.V.D. hard-vacuum process for greater luminous efficiency and improved light control. With white rim RAL 9010.

Office 3 - 65° - with white aluminium RAL 9010				
wattage/W	colour	CNRL		Lamps (Ta=25°C)
		weight	code	Kelvin - ølm - Ra
FLC-D 1x26	white	1,50	22152010-00	4000K - 1800lm - Ra 1b
FLC-D 2x13	white	1,90	22152014-00	4000K - 900lm - Ra 1b
FLC-D 2x18	white	1,90	22152018-00	4000K - 1200lm - Ra 1b
FLC-D 2x26	white	2,00	22152019-00	4000K - 1800lm - Ra 1b

Office 3 - 65° - with white aluminium RAL 9010							
wattage/W	colour	CNRL-E		CELL	CELL-E	CELLD-DIG (dali)	CELLD-DIG-E (dali)
		weight	code	code	code	code	code
FLC-D/E 1x26	white			22152010-08	22152010-09		
FLC-D/E 2x13	white			22152014-08	22152014-09		
FLC-D/E 2x18	white	2,00	22152018-07	22152018-08	22152018-09		
FLC-D/E 2x26	white	2,00	22152019-07	22152019-08	22152019-09	22152019-1241	22152019-9441



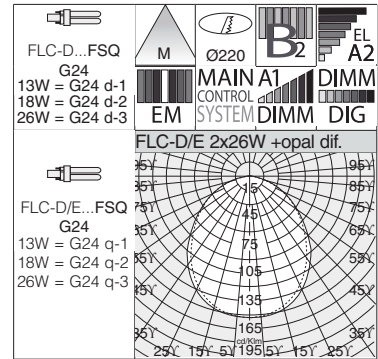
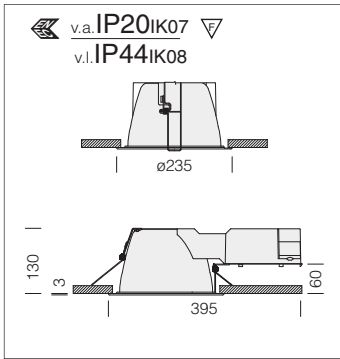
M	Ø220	B2	EL A2	EM	FLC-D...FSQ G24
MAIN CONTROL SYSTEM	A1	DIMM	DIG		18W = G24 d-2 26W = G24 d-3
FLC-D 2x18 W				FLC-D/E...FSQ G24	
				18W = G24 q-2 26W = G24 q-3	



**Reflector:** V2 self-extinguishing polycarbonate, metallized with aluminium powders through a C.V.D. hard-vacuum process for greater luminous efficiency and improved light control.

Office 4 - 65° - with black rim						
wattage/W	colour	CELL		CELL-E		Lamps (Ta=25°C)
		weight	code	weight	code	Kelvin - ølm - Ra
FLC-D-D/E 2x18	black	1,30	22152031-08	2,40	22152031-09	4000K - 1200 lm - Ra 1b
FLC-D-D/E 2x26	black	1,30	22152033-08	2,40	22152033-09	4000K - 1800 lm - Ra 1b

Office 4 - 65° - with black rim									
wattage/W	colour	CELL-D (1-10V)		CELLD-E (1-10V)		CELLD-DIG (dali)		CELLD-DIG-E (dali)	
		weight	code	weight	code	weight	code	weight	code
FLC-D-D/E 2x26	black	1,30	22152033-12	2,40	22152033-94	1,30	22152033-1241	2,50	22152033-9441

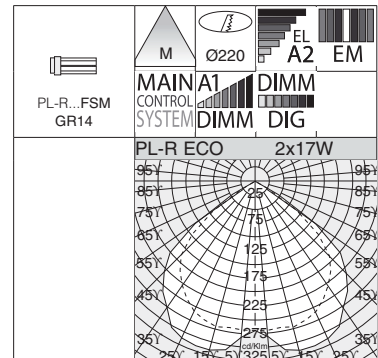
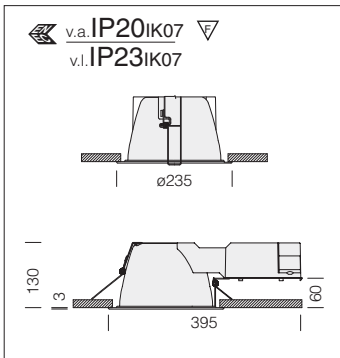


**Reflector:** V2 self-extinguishing polycarbonate, metallized with aluminium powders through a C.V.D. hard-vacuum process for greater luminous efficiency and improved light control. Equipped with opal diffuser which transforms the article into IP44.

**Office 5 IP44 - 65° aluminium rim and opal diffuser**

		CNRL		CELL		CELL-E		Lamps (Ta=25°C)	
wattage/W	colour	weight	code	weight	code	weight	code	Kelvin - ølm - Ra	
FLC-D 1x26	aluminium	1,60	22152210-00					4000K - 1800 lm - Ra 1b	
FLC-D 2x13	aluminium	2,00	22152211-00					4000K - 900 lm - Ra 1b	
FLC-D 2x18	aluminium	2,00	22152212-00					4000K - 1200 lm - Ra 1b	
FLC-D/E 1x26	aluminium			1,30	22152210-08	2,40	22152210-09	4000K - 1800 lm - Ra 1b	
FLC-D/E 2x13	aluminium			1,30	22152211-08	2,40	22152211-09	4000K - 900 lm - Ra 1b	
FLC-D/E 2x18	aluminium			1,40	22152212-08	2,50	22152212-09	4000K - 1200 lm - Ra 1b	
FLC-D/E 2x26	aluminium			1,40	22152216-08	2,50	22152216-09	4000K - 1800 lm - Ra 1b	

		CELL-D (1-10V)		CELLD-E (1-10V)		CELLD-DIG (dali)		CELLD-DIG-E (dali)	
wattage/W	colour	weight	code	weight	code	weight	code	weight	code
FLC-D/E 2x26	aluminium	1,40	22152216-12	2,50	22152216-94	1,80	22152216-1241	2,60	22152216-9441



**Reflector:** V2 self-extinguishing polycarbonate, metallized with aluminium powders through a C.V.D. hard-vacuum process for greater luminous efficiency and improved light control.

**Office 6 - 65° with PL-R ECO lamp**

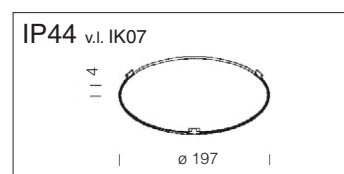
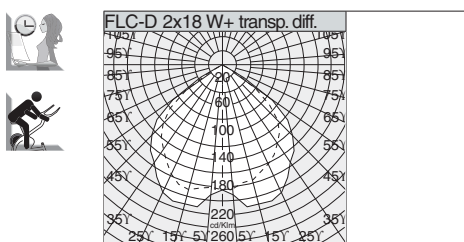
		CELL		CELL-E		Lamps (Ta=35°C)	
wattage/W	colour	weight	code	weight	code	Kelvin - ølm - Ra	
PL-R ECO 1x14	aluminium	1,30	22152071-00	2,40	22152071-09	4000K - 1050 lm - Ra 1b	
PL-R ECO 1x17	aluminium	1,30	22152072-00	2,40	22152072-09	4000K - 1250 lm - Ra 1b	
PL-R ECO 2x14	aluminium	1,30	22152074-00	2,40	22152074-09	4000K - 1050 lm - Ra 1b	
PL-R ECO 2x17	aluminium	1,30	22152075-00	2,40	22152075-09	4000K - 1250 lm - Ra 1b	

		CELLD-DIG (dali)		CELLD-DIG-E (dali)		Lamps (Ta=35°C)	
wattage/W	colour	weight	code	weight	code	Kelvin - ølm - Ra	
PL-R ECO 2x17	aluminium	1,30	22152075-1241	2,40	22152075-9441	4000K - 1250 lm - Ra 1b	

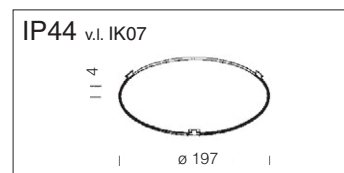
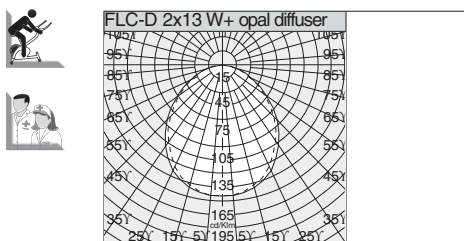
Equipped with with PL-R ECO energy saving lamp: -25%.

**PL-R ECO 14W = FLC 18W**  
**PL-R ECO 17W = FLC 26W**  
 A new version of Office comes with **PL-R ECO** lamps that save up to 25% electricity in contrast with ordinary compact fluorescent lamps, and higher working life 24,000h. The new swivelling base facilitates installation procedures. It is equipped with a environmentally friendly lamp that has the lowest mercury content and the lowest energy consumption rate, based on the same luminous flux.



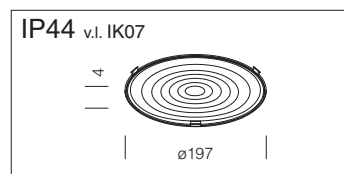
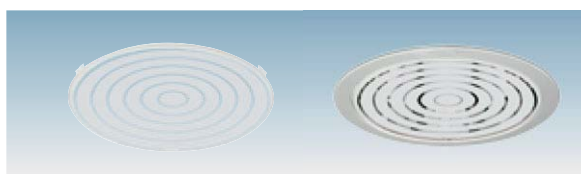
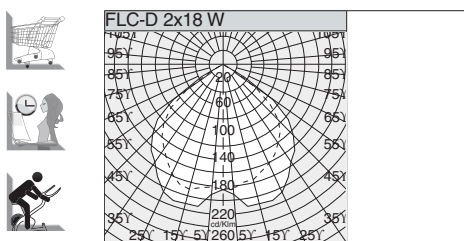
**Office 2-3-4-6 diffuser**  
polycarb. transparent 22091860-00

When used Office 2/3/4/6/9 becomes IP44. 60598-2-2 standard is recommended for electronic versions.



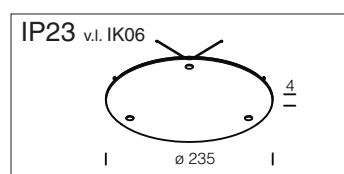
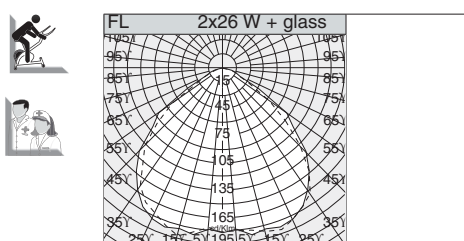
**Office 2-3-4-6 diffuser**  
opal 22091861-00

When used Office 2/3/4/6/9 becomes IP44. 60598-2-2 standard is recommended for electronic versions.



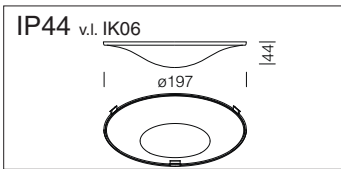
**Silk-screen diffuser**  
polycarbonate 22091862-00

Polycarbonate diffuser with concentric circles.



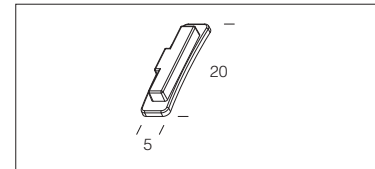
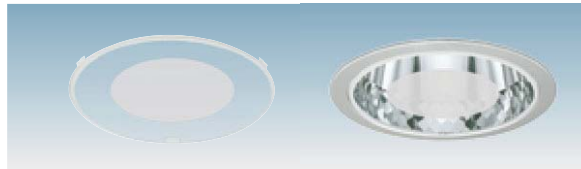
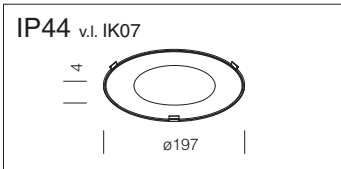
**Silk-screen glass**  
silk-screen 22092314-00

Tempered printed glass with wishbone springs.



The shape and size of the shield create amazing optic effects with a great visual impact

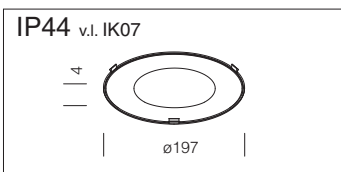
Rounded diffuser - PC - IP44	
polycarbonate	22092315-00



Internal: silk-screen printed in the middle, anti-glare.

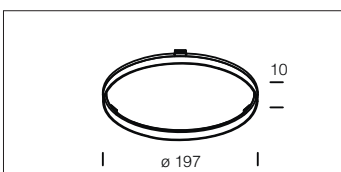
Internal silk-screen printed diffuser	
polycarb. - silk. internal	22091863-00

Cap for Office	
grey	22091808-00
Infill caps for an improved aesthetic finish. Package containing n. 4 caps.	



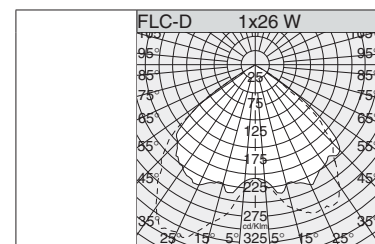
External: silk-screen printed along the edges for side light control.

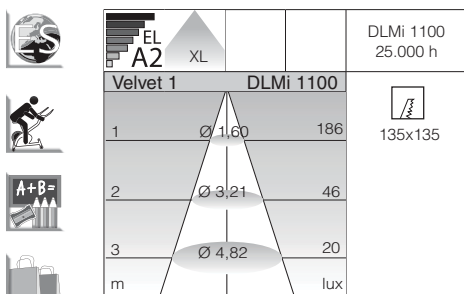
External silk-screen printed diffuser	
polycarb. - silk. external	22091864-00



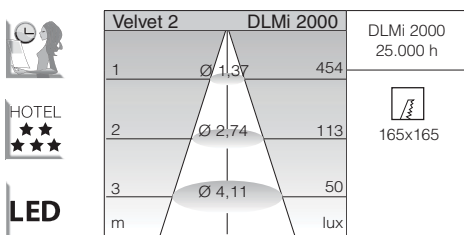
Decorative ring in coloured polycarbonate.

Coloured ring			
red	22091828-00	blue	22091887-00
green	22091845-00	opal	22091803-00
yellow	22091856-00	clear	22091802-00



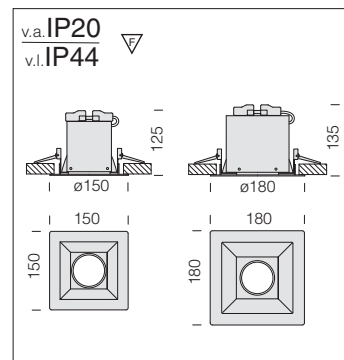
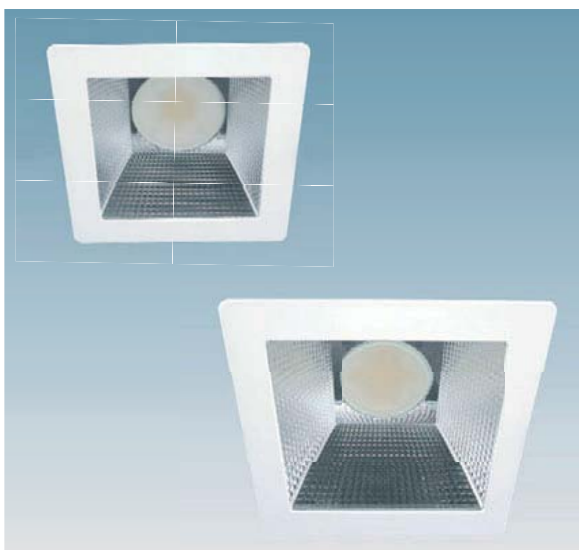
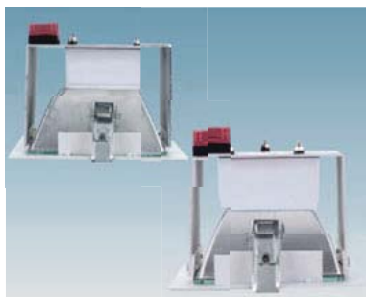


DLMi 1100		DLMi 1100	25.000 h
Velvet 1		135x135	



DLMi 2000		DLMi 2000	25.000 h
Velvet 2		165x165	

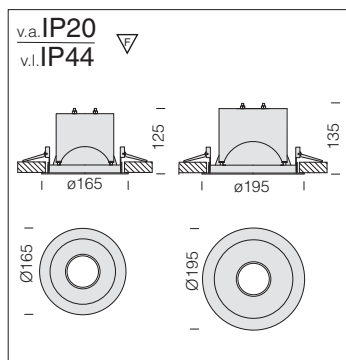
new



**Housing:** in die cast aluminium.  
**Reflector:** oxidised and polished aluminium.  
**Diffuser:** temperad glass

Velvet 1 - DLMi 1100				
		CLD CELL		LED (Tc=85°C)
wattage/W	colour	peso	codice	W tot. Kelvin - ølm - CRI - degrees
DLMi 1100	white	1,00	22160113-00	15 3000K - 1100lm - CRI 80 - 78°
DLMi 1100	white	1,00	22160114-00	14 4000K - 1100lm - CRI 80 - 78°

Velvet 2 - DLMi 2000				
		CLD CELL		LED (Tc=85°C)
wattage/W	colour	weight	code	W tot. Kelvin - ølm - CRI - degrees
DLMi 2000	white	1,10	22160213-00	28 3000K - 2000lm - CRI 80 - 70°
DLMi 2000	white	1,10	22160214-00	26 4000K - 2000lm - CRI 80 - 70°



DLMi 1100 25.000 h		<b>Velvet 3</b>	<b>DLMi 1100</b>
	1	Ø 0,90	364
Ø155	2	Ø 1,80	96
	3	Ø 2,71	42
	m		lux

DLMi 2000 25.000 h		<b>Velvet 4</b>	<b>DLMi 2000</b>
	1	Ø 0,80	853
Ø185	2	Ø 1,60	213
	3	Ø 2,41	94
	m		lux



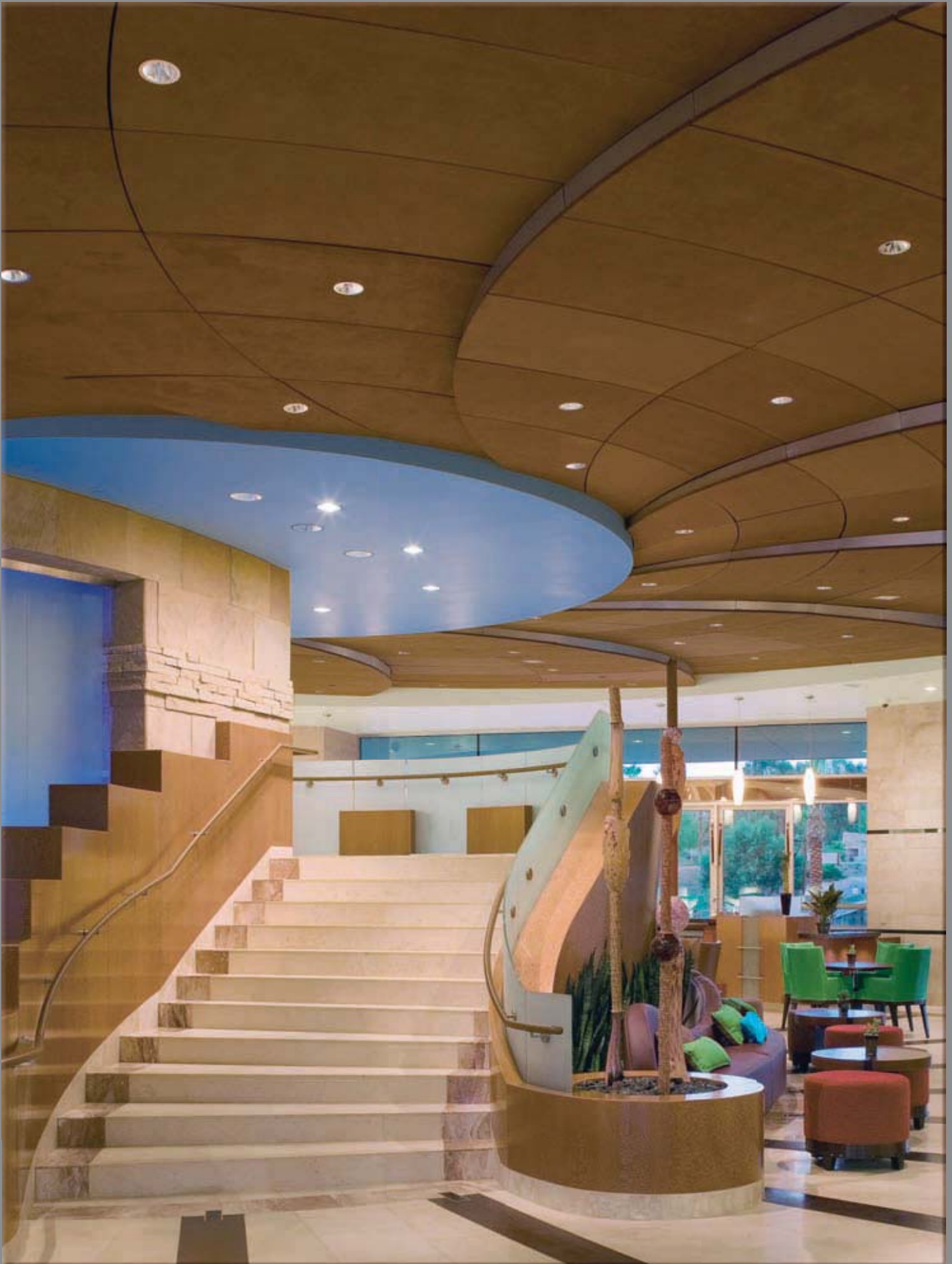
Velvet 3 - DLMi 1100					
		CLD CELL		LED (Tc=85°C)	
wattage/W	colour	weight	code	W tot.	Kelvin - ølm - CRI - degrees
DLMi 1100	white	1,00	22160313-00	15	3000K - 1100lm - CRI 80 - 49°
DLMi 1100	white	1,00	22160314-00	14	4000K - 1100lm - CRI 80 - 49°

Velvet 4 - DLMi 2000					
		CLD CELL		LED (Tc=85°C)	
wattage/W	colour	weight	code	W tot.	Kelvin - ølm - CRI - degrees
DLMi 2000	white	1,10	22160413-00	28	3000K - 2000lm - CRI 80 - 44°
DLMi 2000	white	1,10	22160414-00	26	4000K - 2000lm - CRI 80 - 44°





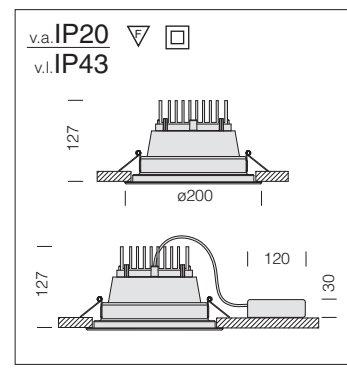
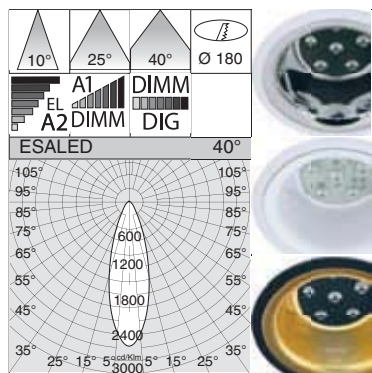




FIXED RECESSED  
DOWNLIGHTS

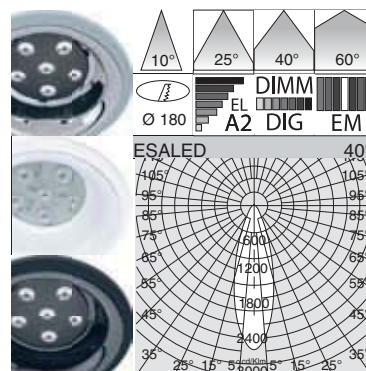
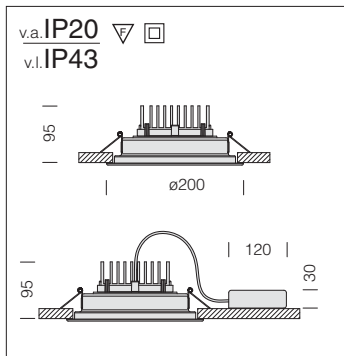


HOTEL
   
 ★ ★ ★
   
**LED**



**Housing:** made in steel.  
**Reflector:** in polycarbonate oxidized and polished aluminum.

Milano 1800 - ESALED						
		CLD CELL		CLD CELL-D	CLD CELL-DIG	LED (Ta=25°C)
wattage/W (1A)	colour+colour reflec.	weight	code	code	code	Kelvin - ølm (1A) - CRI - degrees
ESALED 18W	white + white	1,50	22081810-00	22081810-12	22081810-1241	20
ESALED 18W	white + metalliz.	1,50	22081870-00	22081870-12	22081870-1241	
ESALED 18W	black + gold	1,50	22081880-00	22081880-12	22081880-1241	
ESALED 18W	white + white	1,50	22081811-00	22081811-12	22081811-1241	
ESALED 18W	white + metalliz.	1,50	22081871-00	22081871-12	22081871-1241	
ESALED 18W	black + gold	1,50	22081881-00	22081881-12	22081881-1241	
ESALED 18W	white + white	1,50	22081812-00	22081812-12	22081812-1241	
ESALED 18W	white + metalliz.	1,50	22081872-00	22081872-12	22081872-1241	
ESALED 18W	black + gold	1,50	22081882-00	22081882-12	22081882-1241	
						4000 K - 2000lm - CRI 70 - 10°
						4000 K - 2000lm - CRI 70 - 25°
						4000 K - 2000lm - CRI 70 - 40°



**Housing:** made in steel.

**Reflector:** in polycarbonate.

**LED:** high efficiency Esalet type, with heat sink, longer working life, CRI 70 index.

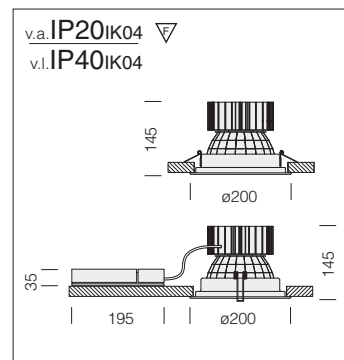
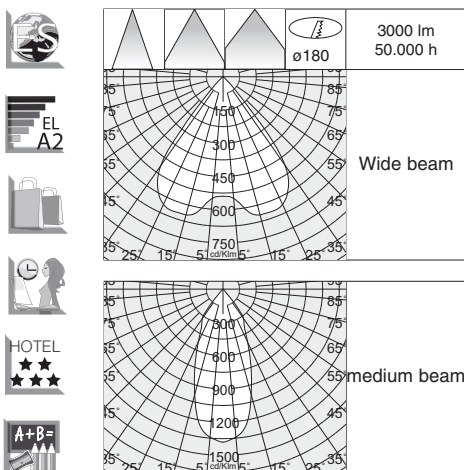
**Upon request:** matt.



Milano ESALED										
wattage/W (1A)	colour+colour reflec	CLD-CELL		LED (Ta=25°C)		CLD-CELL		W tot.	LED (Ta=25°C)	
		weight	code	K - ølm (1A) - degrees		weight	code		K - ølm (1A) - degrees	
ESALED 18W	grey + matt	1,50	22081575-00	4000K	2000lm 10°	1,50	22081570-00	20	3000K	1800lm 10°
ESALED 18W	white + white	1,50	22081516-00			1,50	22081511-00			
ESALED 18W	black + black	1,50	22081535-00			1,50	22081530-00			
ESALED 18W	grey + matt	1,50	22081576-00	4000K	2000lm 25°	1,50	22081571-00		3000K	1800lm 25°
ESALED 18W	white + white	1,50	22081517-00			1,50	22081512-00			
ESALED 18W	black + black	1,50	22081536-00			1,50	22081531-00			
ESALED 18W	grey + matt	1,50	22081577-00	4000K	2000lm 40°	1,50	22081572-00		3000K	1800lm 40°
ESALED 18W	white + white	1,50	22081518-00			1,50	22081513-00			
ESALED 18W	black + black	1,50	22081537-00			1,50	22081532-00			
ESALED 18W	grey + matt	1,50	22081578-00	4000K	2000lm 60°	1,50	22081573-00	3000K	1800lm 60°	
ESALED 18W	white + white	1,50	22081519-00			1,50	22081514-00			

Milano ESALED DIMM										
wattage/W (1A)	colour+colour reflec	CLD-CELLD-DIG		K - ølm (1A) - degrees		CLD-CELLD-DIG		W tot.	K - ølm (1A) - degrees	
		weight	code	K - ølm (1A)		weight	code		K - ølm (1A) - degrees	
ESALED 18W	grey + matt	1,50	22081575-1241	4000K	2000lm 10°	1,50	22081570-1241	20	3000K	1800lm 10°
ESALED 18W	white + white	1,50	22081516-1241			1,50	22081511-1241			
ESALED 18W	black + black	1,50	22081535-1241			1,50	22081530-1241			
ESALED 18W	grey + matt	1,50	22081576-1241	4000K	2000lm 25°	1,50	22081571-1241		3000K	1800lm 25°
ESALED 18W	white + white	1,50	22081517-1241			1,50	22081512-1241			
ESALED 18W	black + black	1,50	22081536-1241			1,50	22081531-1241			
ESALED 18W	grey + matt	1,50	22081577-1241	4000K	2000lm 40°	1,50	22081572-1241		3000K	1800lm 40°
ESALED 18W	white + white	1,50	22081518-1241			1,50	22081513-1241			
ESALED 18W	black + black	1,50	22081537-1241			1,50	22081532-1241			
ESALED 18W	grey + matt	1,50	22081578-1241	4000K	2000lm 60°	1,50	22081573-1241	3000K	1800lm 60°	
ESALED 18W	white + white	1,50	22081519-1241			1,50	22081514-1241			

Milano ESALED DIMM EMERGENCY										
wattage/W (1A)	colour+colour reflec	CLD-CELLD-DIG-E		LED (Ta=25°C)		CLD-CELLD-DIG-E		W tot.	K - ølm (1A) - degrees	
		weight	code	K - ølm (1A) - degrees		weight	code		K - ølm (1A) - degrees	
ESALED 18W	grey + matt	1,50	22081575-9441	4000K	2000lm 10°	1,50	22081570-9441	20	3000K	1800lm 10°
ESALED 18W	white + white	1,50	22081516-9441			1,50	22081511-9441			
ESALED 18W	black + black	1,50	22081535-9441			1,50	22081530-9441			
ESALED 18W	grey + matt	1,50	22081576-9441	4000K	2000lm 25°	1,50	22081571-9441		3000K	1800lm 25°
ESALED 18W	white + white	1,50	22081517-9441			1,50	22081512-9441			
ESALED 18W	black + black	1,50	22081536-9441			1,50	22081531-9441			
ESALED 18W	grey + matt	1,50	22081577-9441	4000K	2000lm 40°	1,50	22081572-9441		3000K	1800lm 40°
ESALED 18W	white + white	1,50	22081518-9441			1,50	22081513-9441			
ESALED 18W	black + black	1,50	22081537-9441			1,50	22081532-9441			
ESALED 18W	grey + matt	1,50	22081578-9441	4000K	2000lm 60°	1,50	22081573-9441	3000K	1800lm 60°	
ESALED 18W	white + white	1,50	22081519-9441			1,50	22081514-9441			



v.a. IP20IK04  
v.l. IP40IK04

**Housing:** made in steel.  
**Reflector:** in V2 shatterproof, self-extinguishing polycarbonate, coated with high-performance aluminium powder and equipped with anti-reflection and anti-glare optics.  
**On request:** SLM 3000 Elite

**Milano - 3000 lm - GEN III - wide beam**

		CLD CELL		W tot.	LED (Ta=25°C)
wattage/W	color	weight	code		Kelvin - ølm - CRI
<b>SLM 3000 28W</b>	matt	1,20	22081363-00	<b>32</b>	3000 K - 3000 lm - CRI 80
<b>COB 3000 36W</b>	matt	1,20	22081364-00	<b>40</b>	4000 K - 3000 lm - CRI 90

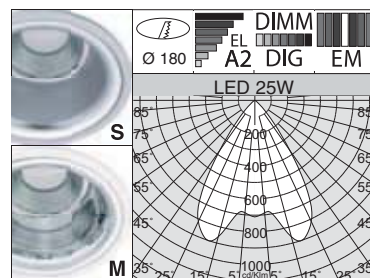
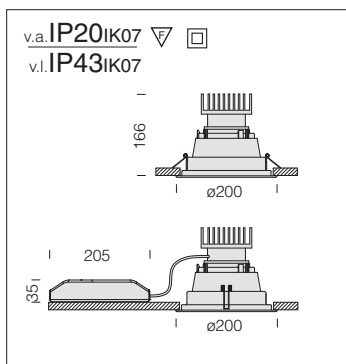
**Milano - 3000 lm - GEN III - medium beam**

		CLD CELL		W tot.	LED (Ta=25°C)
wattage/W	color	weight	code		Kelvin - ølm - CRI
<b>SLM 3000 28W</b>	metall.	1,20	22081361-00	<b>32</b>	3000 K - 3000 lm - CRI 80
<b>COB 3000 36W</b>	metall.	1,20	22081366-00	<b>40</b>	4000 K - 3000 lm - CRI 90





FIXED RECESSED DOWNLIGHTS

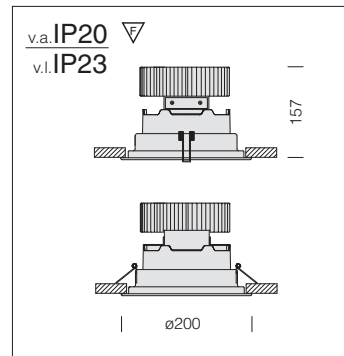
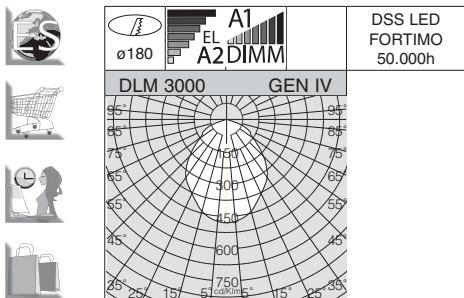


**Housing:** made in steel.  
**Reflector:** in V2 shatterproof, self-extinguishing polycarbonate.

Milano B								
		CLD CELL	CLD CELL-E	CLD CELLD-DIG	CLD CELLD-DIG-E	LED (Ta=25°C)		
wattage/W	colour	weight	code	code	code	code	W tot	Kelvin - ølm - CRI
LED 22W	whi+whi	1,20	22083710-00	22083710-09	22083710-1241	22083710-9441	25	4000K - 2000lm - CRI90

Milano s								
		CLD CELL	CLD CELL-E	CLD CELLD-DIG	CLD CELLD-DIG-E	LED (Ta=25°C)		
wattage/W	colour	weight	code	code	code	code	W tot	Kelvin - ølm - CRI
LED 22W	gri+matt	1,20	22083761-00	22083761-09	22083761-1241	22083761-9441	25	4000K - 2000lm - CRI90

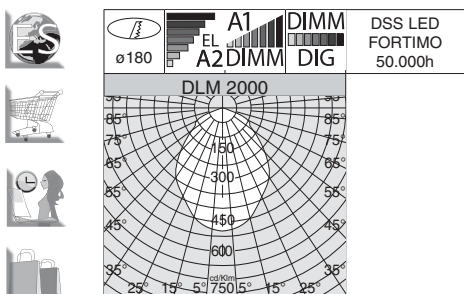
Milano M								
		CLD CELL	CLD CELL-E	CLD CELLD-DIG	CLD CELLD-DIG-E	LED (Ta=25°C)		
wattage/W	colour	weight	code	code	code	code	W tot	Kelvin - ølm - CRI
LED 22W	whi+met	1,20	22083771-00	22083771-09	22083771-1241	22083771-9441	25	4000K - 2000lm - CRI90



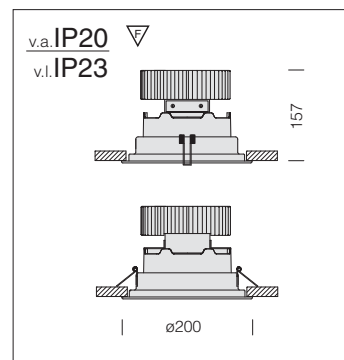
**Housing:** made in steel  
**Reflector:** in V2 shatterproof, self-extinguishing polycarbonate.

On request version: **v.a. IP20**  
**v.l. IP44**

Milano - DLM 3000 GEN IV					
		CLD CELL-D			LED (Ta=25°C)
wattage/W	colour	weight	code	W tot	Kelvin - ølm - CRI
DLM 3000	white + metal.	1,20	22083067-12	34W	3000K - 3000 lm - CRI 80
DLM 3000	white + metal.	1,20	22083069-12	32W	4000K - 3000 lm - CRI 80



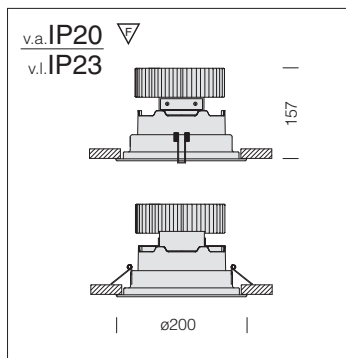
DLM 2000	
LED (Tc=50°C)	
Kelvin - ølm - CRI - h	W tot.
3000K - 22W = 2000lm - CRI80 - 50.000h	25
4000K - 20W = 2000lm - CRI80 - 50.000h	23



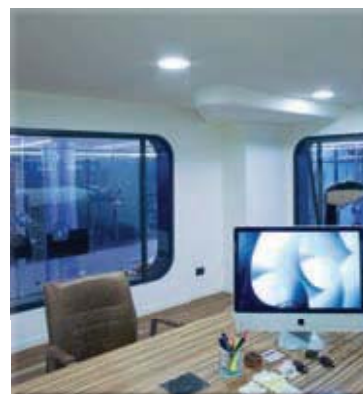
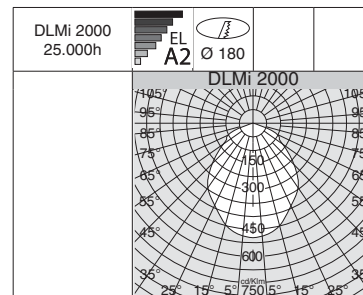
**Housing:** made in steel.  
**Reflector:** in V2 shatterproof, self-extinguishing polycarbonate.

Milano - DLM 2000 - 3000K							
		CLD CELL		CLD CELL-E	CLD CELL-D	CLD CELLD-DIG (dali)	CLD CELLD-DIG-E (dali)
wattage/W	colour	weight	code	code	code	code	code
DLM 2000 22W	metall.	2,50	22083066-00	22083066-09	22083066-12	22083066-1241	22083066-9441

Milano - DLM 2000 - 4000K							
		CLD CELL		CLD CELL-E	CLD CELL-D	CLD CELLD-DIG (dali)	CLD CELLD-DIG-E (dali)
wattage/W	colour	weight	code	code	code	code	code
DLM 2000 20W	metall.	2,50	22083065-00	22083065-09	22083065-12	22083065-1241	22083065-9441



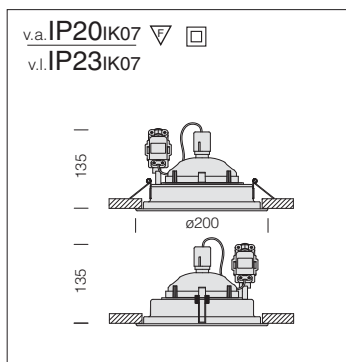
**Housing:** made in steel.  
**Reflector:** in V2 shatterproof, self-extinguishing polycarbonate.



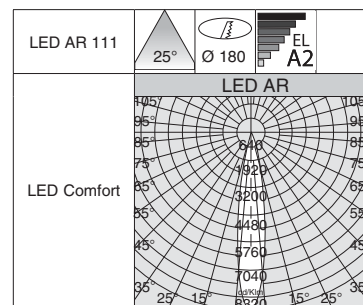
Milano - DLMi 2000				
		CLD CELL		LED (Ta=25°C)
	colour+refl. colour	weight	code	W tot Kelvin - ølm - CRI
DLMi	white+metall.	1,10	22083563-00	28W 3000K 2000lm - CRI 80
DLMi	white+metall.	1,10	22083564-00	26W 4000K - 2000lm - CRI 80



FIXED RECESSED DOWNLIGHTS



**Upon request:** grey and chrome reflector.



Milano - AR111 (1)				
		CLD CELL		LED (Ta=25°C)
wattage/W	colour	poids	code	W tot Kelvin - ølm - CRI - degrees
LED AR111 13W	grey + black	1.20	22081370-00	14 3000K - 710lm - CRI 80 - 25°

Milano - AR 111 (2)				
		CLD CELL		LED (Ta=25°C)
wattage/W	colour	poids	code	W tot Kelvin - ølm (1050mA) - CRI - degrees
LED AR111 11W	grey + matt	1,50	22081579-00	12 2700K - 550lm - CRI 80 - 25°
LED AR111 11W	white + white	1,50	22081515-00	

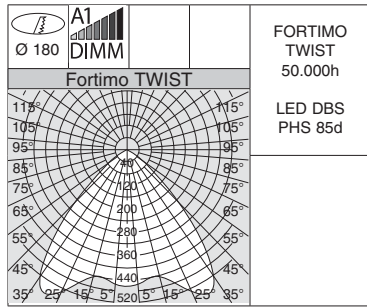
Milano - LED Comfort (3)				
		CLD CELL		LED (Ta=25°C)
wattage/W	colour	poids	code	W tot Kelvin - ølm - degrees
LED Comfort	grey + black	1.20	22081375-00	13 4000K - 780lm - 25°



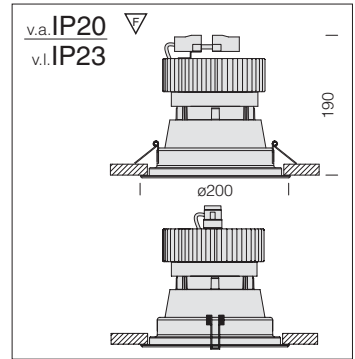
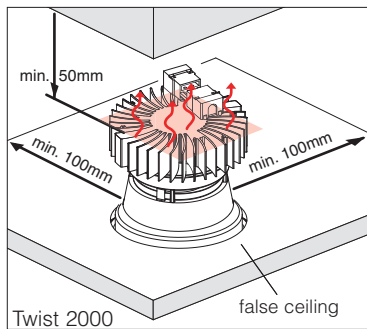
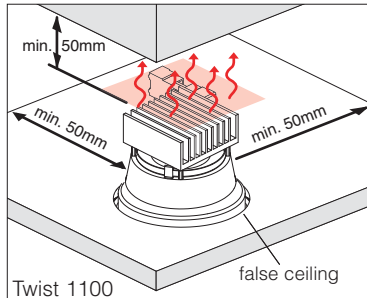


LED

new



FORTIMO TWIST 50.000h  
LED DBS PHS 85d



**Housing:** made in steel, passive heatsink.  
**Reflector:** in polycarbonate metalized.  
**On request:** 3000K.

Milano - Twist 2000 GEN III

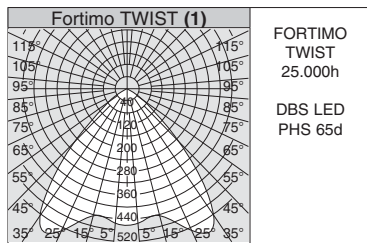
wattage/W	colour	CLD CELL		CLD CELL-D	W tot	LED (Ta=25°C)
		weight	code	codice		Kelvin - ølm - CRI
Twist 2000 GEN III	white	1,20	22083019-00		28	4000 K - 2000lm - CRI 80
Twist 2000 GEN III	white	1,20		22083014-00		
Twist 2000 GEN III	metall.	1,20		22083061-00		
Twist 2000 GEN III	matt	1,20		22083074-00		
Twist 2000 GEN III	gold	1,20		22083081-00		

Phase IGBT cutting dimming.

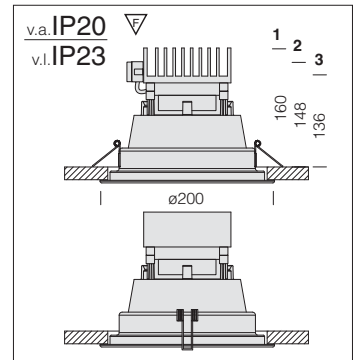
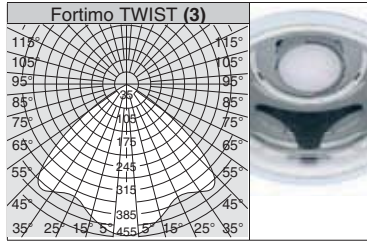
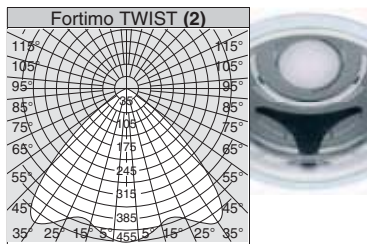


A1 DIMM

LED



FORTIMO TWIST 25.000h  
DBS LED PHS 65d



**Reflector:** In metallized aluminium. Possibility to place the lamp in three different heights.

Milano - Twist 1100 GEN III - 3000K

wattage/W	colour	CLD CELL-D		W tot	LED (Ta=25°C)
		weight	code		Kelvin - ølm - CRI
Twist 1100 GEN III (1)	metall.	0,9	22083363-00	16	3000 K - 1100lm - CRI 80
Twist 1100 GEN III (2)	metall.	0,9	22083364-00		
Twist 1100 GEN III (3)	metall.	0,9	22083365-00		

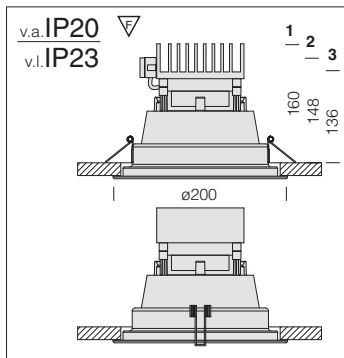
Phase IGBT cutting dimming. On request: 2700K (1040lm).

Milano - Twist 1100 GEN III - 4000K

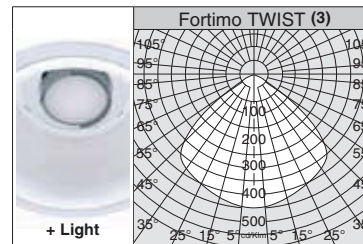
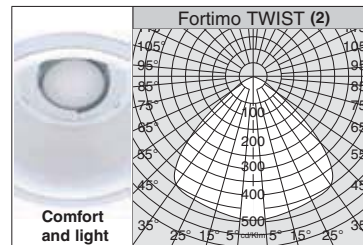
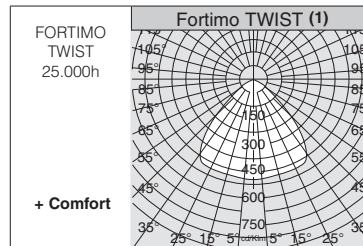
wattage/W	colour	CLD CELL-D		W tot	LED (Ta=25°C)
		weight	code		Kelvin - ølm - CRI
Twist 1100 GEN III (1)	metall.	0,9	22083062-00	15	4000 K - 1100lm - CRI 80
Twist 1100 GEN III (2)	metall.	0,9	22083063-00		
Twist 1100 GEN III (3)	metall.	0,9	22083064-00		

Phase IGBT cutting dimming. On request: 2700K (1040lm).





**Reflector:** In white polycarbonate. Possibility to place the lamp in three different heights.

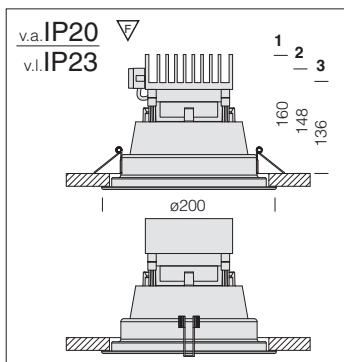


Milano - Twist 1100 GEN III - 3000K					
		CLD CELL-D		W tot	LED (Ta=25°C)
wattage/W	colour	weight	code		Kelvin - ølm - CRI
Twist 1100 GEN III (1)	white	0,90	22083315-00	16	3000 K - 1100lm - CRI 80
Twist 1100 GEN III (2)	white	0,90	22083318-00		
Twist 1100 GEN III (3)	white	0,90	22083319-00		

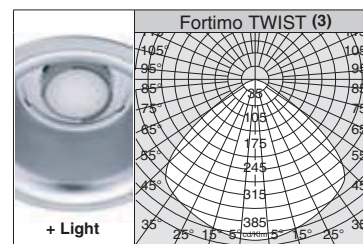
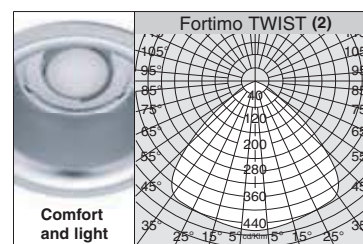
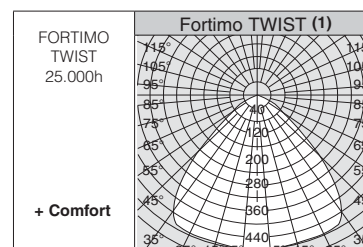
Phase IGBT cutting dimming. On request: 2700K (1040lm).

Milano - Twist 1100 GEN III - 4000K					
		CLD CELL-D		W tot	LED (Ta=25°C)
wattage/W	colour	weight	code		Kelvin - ølm - CRI
Twist 1100 GEN III (1)	white	0,90	22083011-00	15	4000 K - 1100lm - CRI 80
Twist 1100 GEN III (2)	white	0,90	22083012-00		
Twist 1100 GEN III (3)	white	0,90	22083013-00		

Phase IGBT cutting dimming. On request: 2700K (1040lm).



**Reflector:** In matt aluminium. Possibility to place the lamp in three different heights.



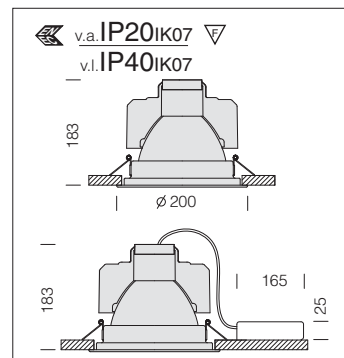
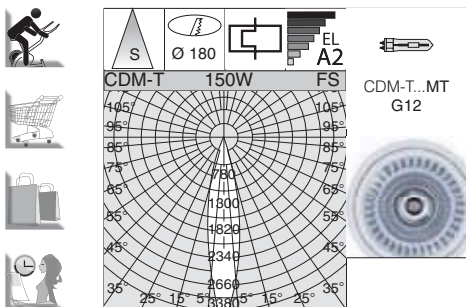
Milano - Twist 1100 GEN III - 3000K					
		CLD CELL-D		W tot	LED (Ta=25°C)
wattage/W	colour	weight	code		Kelvin - ølm - CRI
Twist 1100 GEN III (1)	matt	0,90	22083371-00	16	3000 K - 1100lm - CRI 80
Twist 1100 GEN III (2)	matt	0,90	22083372-00		
Twist 1100 GEN III (3)	matt	0,90	22083373-00		

Phase IGBT cutting dimming. On request: 2700K (1040lm).

Milano - Twist 1100 GEN III - 4000K					
		CLD CELL-D		W tot	LED (Ta=25°C)
wattage/W	colour	weight	code		Kelvin - ølm - CRI
Twist 1100 GEN III (1)	matt	0,90	22083071-00	15	4000 K - 1100lm - CRI 80
Twist 1100 GEN III (2)	matt	0,90	22083072-00		
Twist 1100 GEN III (3)	matt	0,90	22083073-00		

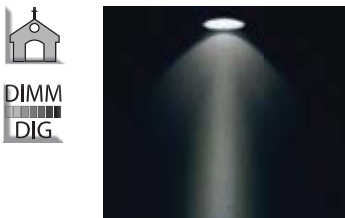
Phase IGBT cutting dimming. On request: 2700K (1040lm).





**Reflector:** in oxidized and faceted aluminium.

**Diffuser:** protection clear tempered glass.

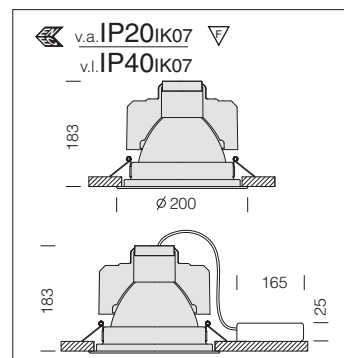
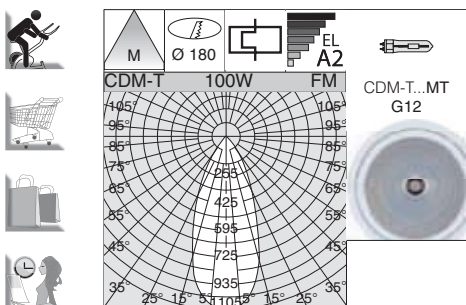


DIMM  
DIG

**Milano "T" - FS**

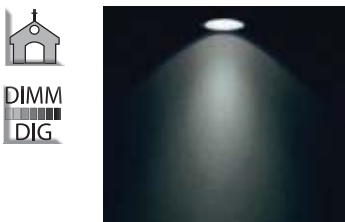
wattage/W	colour	CELL narrow beam		CELL-D DIG narrow beam		Lamps (Ta=25°C) Kelvin - ølm - Ra
		weight	code	weight	code	
CDM-T 35	white	1,00	22080517-08			3000K - 3150lm - Ra 90
CDM-T 35	m. silver	1,00	22080566-08			
CDM-T 50 Elite	white	1,00	22080510-00			3000K - 5500lm - Ra 90
CDM-T 50 Elite	m. silver	1,00	22080570-00			
CDM-T 70	white	1,10	22080816-08	1,10	22080816-1241	3000K - 6600lm - Ra 91
CDM-T 70	m. silver	1,10	22080878-08	1,10	22080878-1241	
CDM-T 100 Elite	white	1,00	22080414-00			3000K - 11000 - Ra 90
CDM-T 100 Elite	m. silver	1,00	22080474-00			
CDM-T 150	white	1,30	22080912-08			3000K - 14000 - Ra 90
CDM-T 150	m. silver	1,30	22080974-08			

Supplied with electronic ballast, Soft Start and LOOP-IN system.



**Reflector:** in oxidized aluminium with semi-spherical facets.

**Diffuser:** protection clear tempered glass.

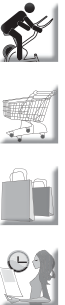
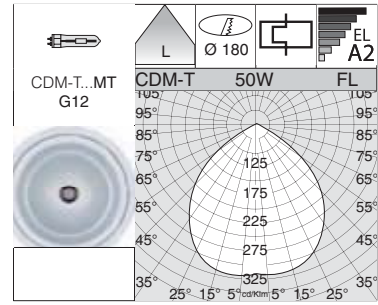
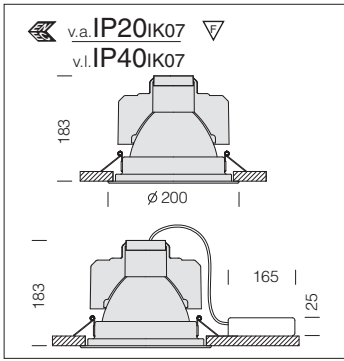


DIMM  
DIG

**Milano "T" - FM**

wattage/W	colour	CELL medium beam		CELL-D DIG medium beam		Lamps (Ta=25°C) Kelvin - ølm - Ra
		weight	code	weight	code	
CDM-T 35	white	1,00	22080410-08			3000K - 3150lm - Ra 90
CDM-T 35	m. silver	1,00	22080471-08			
CDM-T 50 Elite	white	1,00	22080511-00			3000K - 5500lm - Ra 90
CDM-T 50 Elite	m. silver	1,00	22080571-00			
CDM-T 70	white	1,10	22080411-08	1,10	22080411-1241	3000K - 6600lm - Ra 91
CDM-T 70	m. silver	1,10	22080472-08	1,10	22080472-1241	
CDM-T 100 Elite	white	1,00	22080415-00			3000K - 11000 - Ra 90
CDM-T 100 Elite	m. silver	1,00	22080475-00			
CDM-T 150	white	1,30	22080412-08			3000K - 14000 - Ra 90
CDM-T 150	m. silver	1,30	22080473-08			

Supplied with electronic ballast, Soft Start and LOOP-IN system.

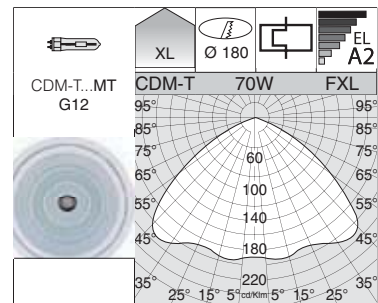
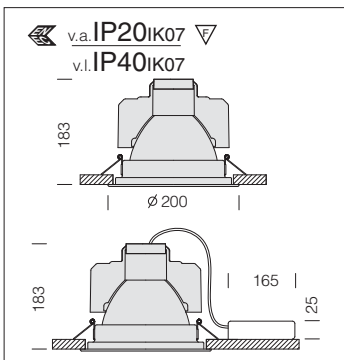


**Reflector:** in oxidized and faceted aluminium.

**Diffuser:** protection clear tempered glass.

Milano "T" - FL						
wattage/W	colour	CELL wide beam		CELL-D DIG wide beam		Lamps (Ta=25°C) Kelvin - ølm - Ra
		weight	code	weight	code	
CDM-T 35	white	1,00	22080613-08			3000K - 3150lm - Ra 90
CDM-T 35	m. silver	1,00	22080675-08			
CDM-T 50 Elite	white	1,00	22080512-00			3000K - 5500lm - Ra 90
CDM-T 50 Elite	m. silver	1,00	22080572-00			
CDM-T 70	white	1,10	22080612-08	1,10	22080612-1241	3000K - 6600lm - Ra 91
CDM-T 70	m. silver	1,10	22080674-08	1,10	22080674-1241	
CDM-T 100 Elite	white	1,00	22080416-00			3000K - 11000 - Ra 90
CDM-T 100 Elite	m. silver	1,00	22080476-00			
CDM-T 150	white	1,30	22080711-08			3000K - 14000 - Ra 90
CDM-T 150	m. silver	1,30	22080773-08			

Supplied with electronic ballast, Soft Start and LOOP-IN system.



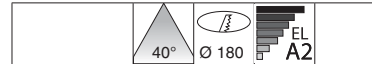
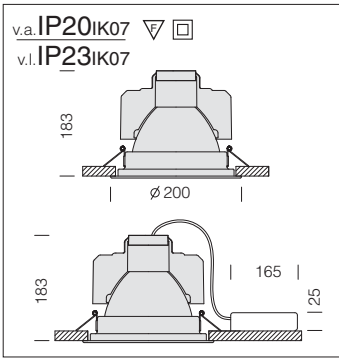
**Reflector:** in oxidized and faceted aluminium.

**Diffuser:** protection clear tempered glass.

Milano "T" - FXL						
wattage/W	colour	CELL - XL beam		CELL-D DIG - XL beam		Lamps (Ta=25°C) Kelvin - ølm - Ra
		weight	code	weight	code	
CDM-T 35	white	1,00	22080614-08			3000K - 3150lm - Ra 90
CDM-T 35	m. silver	1,00	22080672-08			
CDM-T 50 Elite	white	1,00	22080513-00			3000K - 5500lm - Ra 90
CDM-T 50 Elite	m. silver	1,00	22080573-00			
CDM-T 70	white	1,10	22080615-08	1,10	22080615-1241	3000K - 6600lm - Ra 91
CDM-T 70	m. silver	1,10	22080676-08	1,10	22080676-1241	
CDM-T 100 Elite	white	1,00	22080417-00			3000K - 11000 - Ra 90
CDM-T 100 Elite	m. silver	1,00	22080477-00			
CDM-T 150	white	1,30	22080712-08			3000K - 14000 - Ra 90
CDM-T 150	m. silver	1,30	22080774-08			

Supplied with electronic ballast, Soft Start and LOOP-IN system.



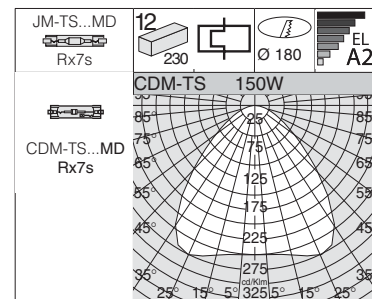
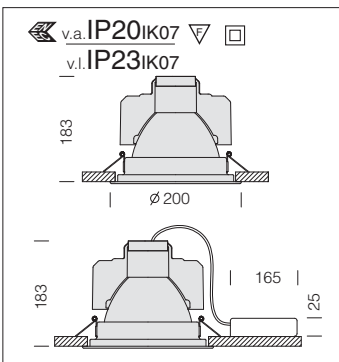


**CDM Elite Lamps:** suitable for shopping centres, ideal for enhancing the goods displayed.

- Maintenance cost reduction
- 10% increase in energy efficiency in contrast with traditional lamps
- Excellent colour rendering (Ra 90)
- Improved light levels (twice as powerful)



Milano "T" - CDM-T Elite				
		CELL		Lamps (Ta=25°C)
wattage/W	colour	weight	code	Kelvin - ølm - Ra - degrees
CDM-T Elite 50W	white	0,90	22080617-00	3000K - 5500lm - Ra 90 - 40°
CDM-T Elite 50W	m. silver	0,90	22080677-00	
CDM-T Elite 100W	white	0,90	22080618-00	3000K - 11000lm - Ra 90 - 40°
CDM-T Elite 100W	m. silver	0,90	22080678-00	



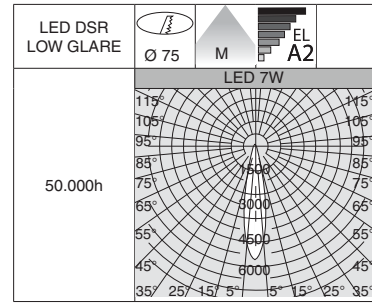
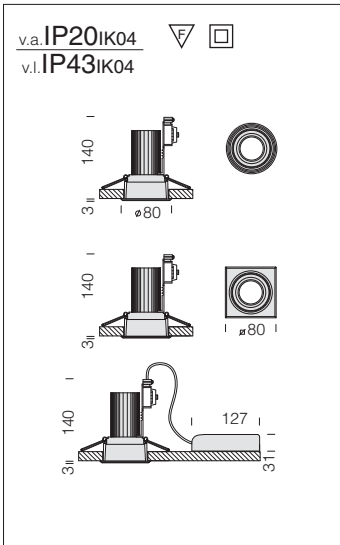
**Excellence Lamps:**

- High efficiency
- Uniform distribution of light
- High luminous flux
- Excellent colour rendering

Milano "TS" - wide beam				
		CELL		Lamps (Ta=25°C)
wattage/W	colour	weight	code	Kelvin - ølm - Ra
JM-TS 70 EXC	white	1,30	22081011-08	3000K- 6200lm- Ra 75
JM-TS 70 EXC	m. silver	1,30	22081073-08	
JM-TS 150 EXC	white	1,60	22081115-08	3000K- 12000lm- Ra 75
JM-TS 150 EXC	m. silver	1,60	22081177-08	
CMH-TS 35	white	1,30	22081013-00	3000K - 3400lm - Ra 82
CDM-TS 70	white	1,30	22081011-0885	3000K - 6500lm - Ra 82
CDM-TS 70	m. silver	1,30	22081073-0885	
CDM-TS 150	white	1,60	22081115-0885	3000K - 13250lm - Ra 88
CDM-TS 150	m. silver	1,60	22081177-0885	







**LED 7W:**  
Flexibility and light quality.  
Different colour temperatures  
Long service life (50,000 hours)  
and excellent luminous flux maintenance

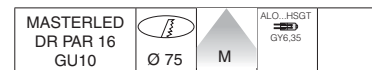
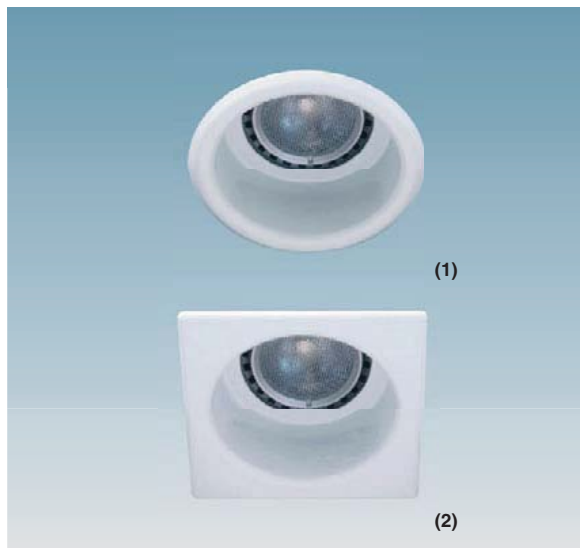
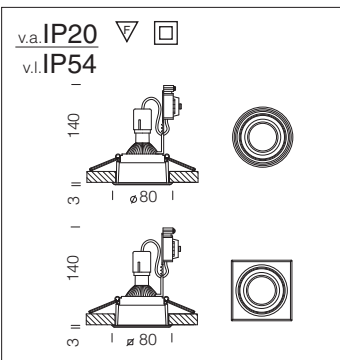


Milano Small T - Comfort LED (1) - Professional					
		CLD CELL		W tot	LED (Ta=25°C)
wattage/660mA	colour	weight	code		Kelvin - ølm 660mA - CRI - degrees
LED Sharp 7W	white	0,90	22083114-00	11	3000K - 700lm - CRI>80 - 38°
LED Sharp 7W	chrome	0,90	22083164-00		
LED Sharp 7W	matt	0,90	22083174-00		

On request: 2750K ou 4000K.

Milano Small Q - Comfort LED (2) - Professional					
		CLD CELL		W tot	LED (Ta=25°C)
wattage/660mA	colour	weight	code		Kelvin - ølm 660mA - CRI - degrees
LED Sharp 7W	white	0,90	22083214-00	11	3000K - 700lm - CRI>80 - 38°
LED Sharp 7W	chrome	0,90	22083264-00		
LED Sharp 7W	matt	0,90	22083274-00		

On request: 2750K ou 4000K.



**LED:** mains voltage operation  
220/240V 50-60Hz. GU10 connection,  
ideal for transit areas

**Housing:** polycarbonate, metalized with high grade aluminium powders through a C.V.D. hard-vacuum process for greater light control and efficiency.

Milano Small T - MASTERLED (1)- Home					
		CLD CELL		W tot	LED (Ta=25°C)
wattage/W 230V	colour	weight	code		Kelvin - cd - degrees - CRI
LED 3W	white	0,90	22083113-00	3	2750K - 850cd - 25° - CRI80
LED 3W	chrome	0,90	22083163-00		
LED 3W	matt	0,90	22083173-00		



Milano Small Q - MASTERLED (2)- Home					
		CLD CELL		W tot	LED (Ta=25°C)
wattage/W 230V	colour	weight	code		Kelvin - cd - degrees - CRI
LED 3W	white	0,90	22083213-00	3	2750K - 850cd - 25° - CRI80
LED 3W	chrome	0,90	22083263-00		
LED 3W	matt	0,90	22083273-00		

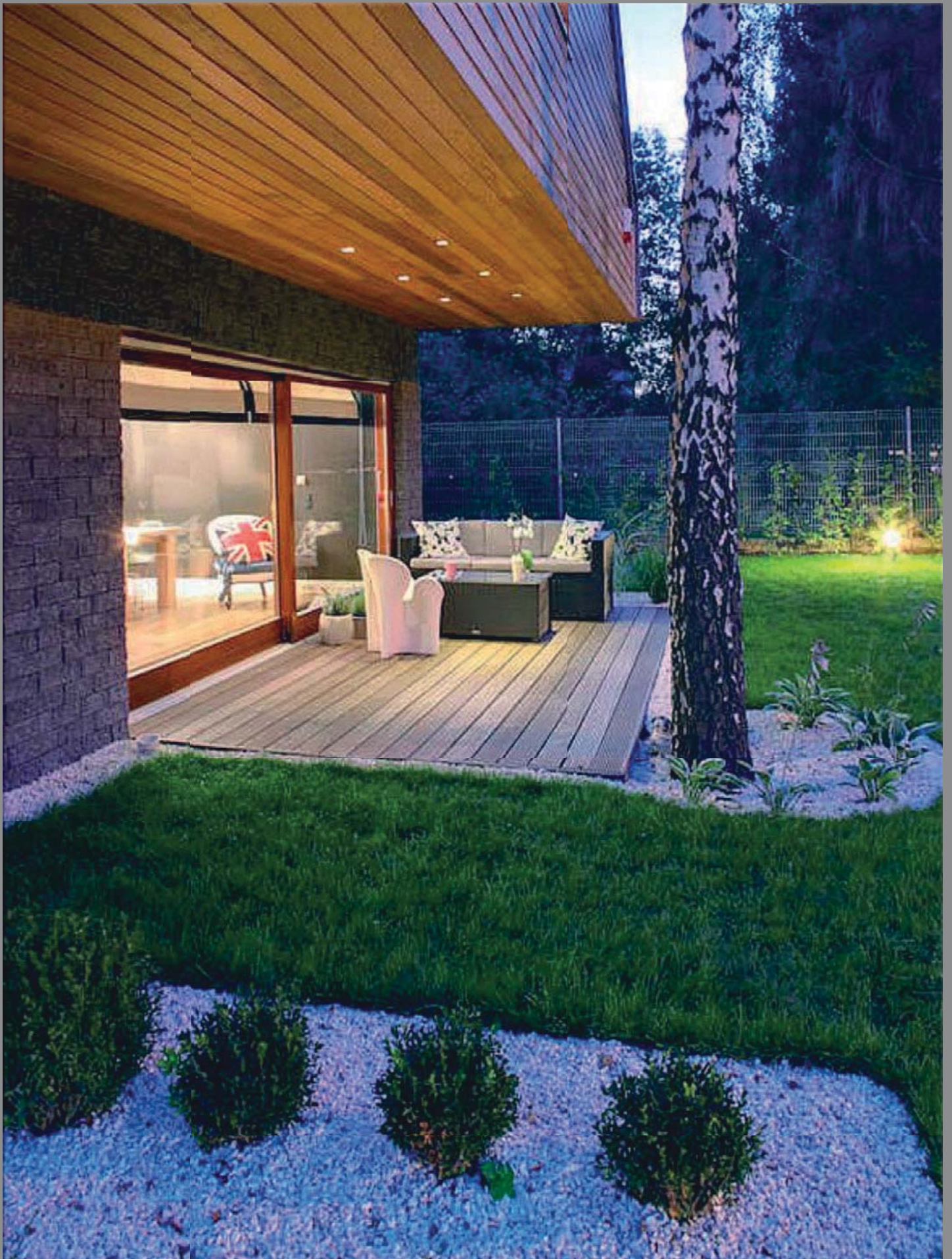
	W	I max	duration
ALU 35W	35-20°	250cd	2000h
LED 3W	3-25°	230cd	45000h



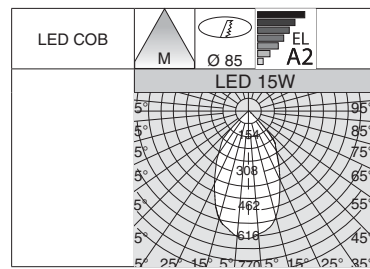
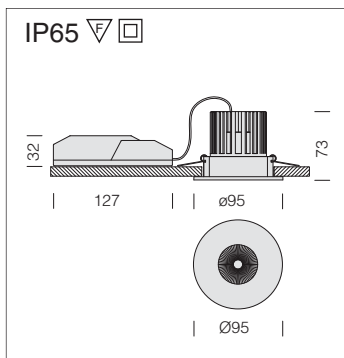
new

HOTEL  
★★★

LED





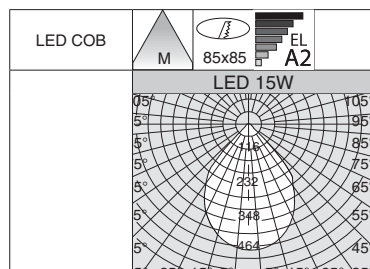
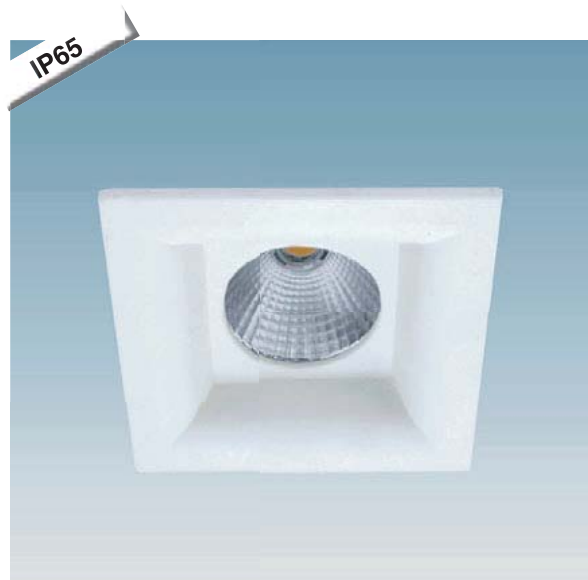
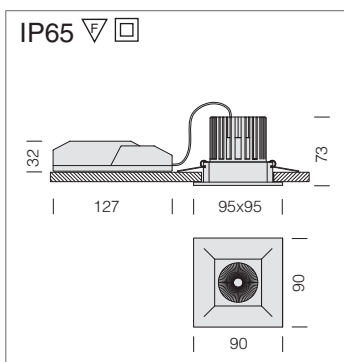


**Housing:** in die-cast aluminium with heat sink.  
**Optics:** in metallic aluminium high-efficiency metallic.

Snow 1					
		CLD CELL		W tot.	LED (Ta=25°C)
wattage/W	colour	weight	code	15	Kelvin - ølm - CRI
LED white	white	0,30	22082610-00		3000K - 1300lm - CRI 80
LED white	silver	0,30	22082670-00		



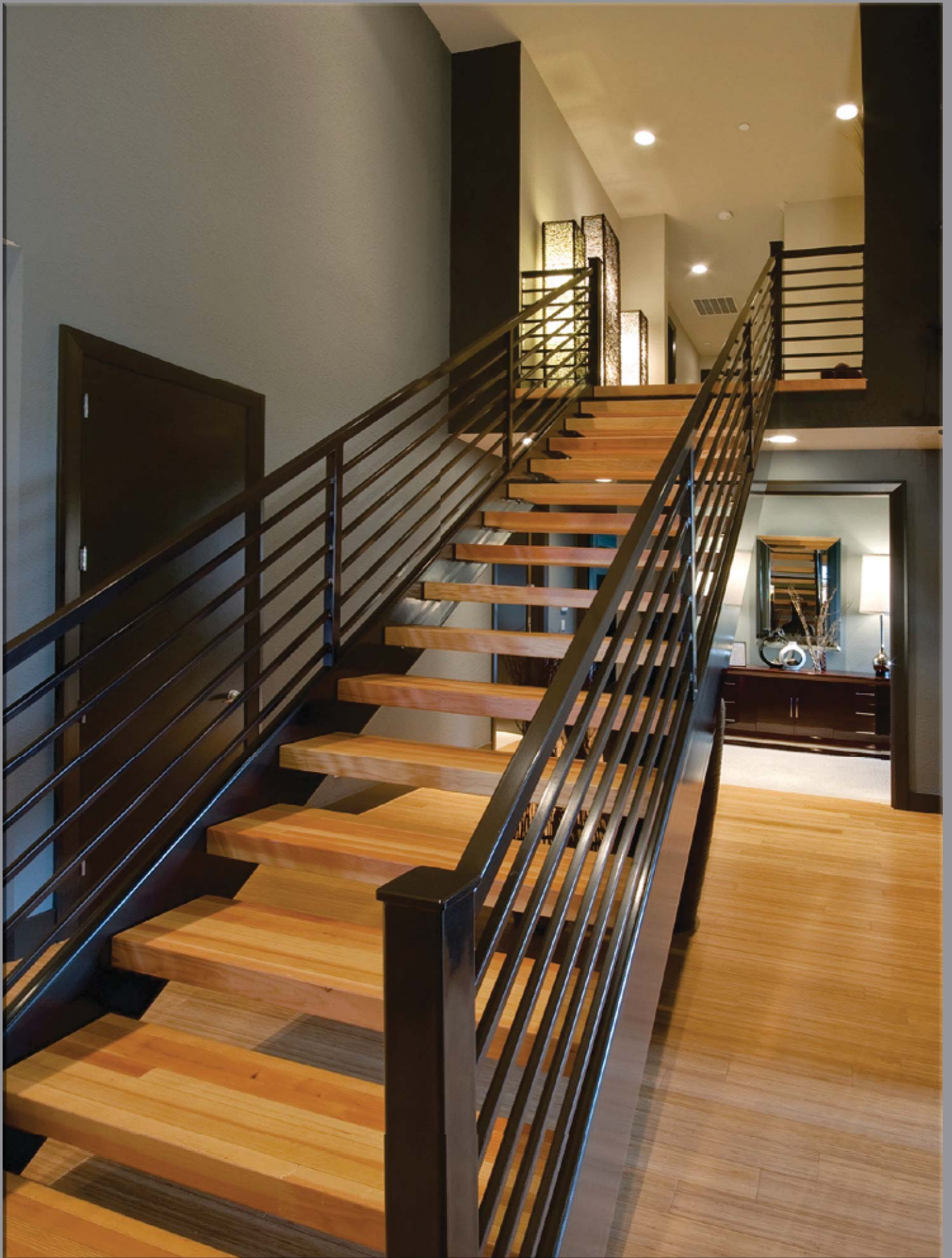
FIXED RECESSED DOWNLIGHTS



**Housing:** in die-cast aluminium with heat sink.  
**Optics:** in metallic aluminium high-efficiency metallic.

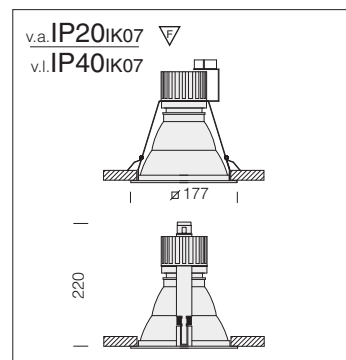
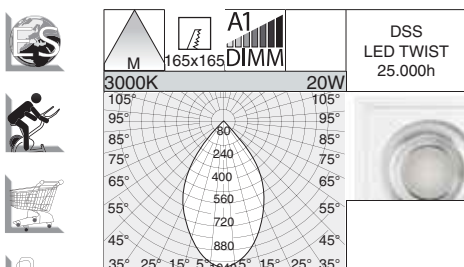
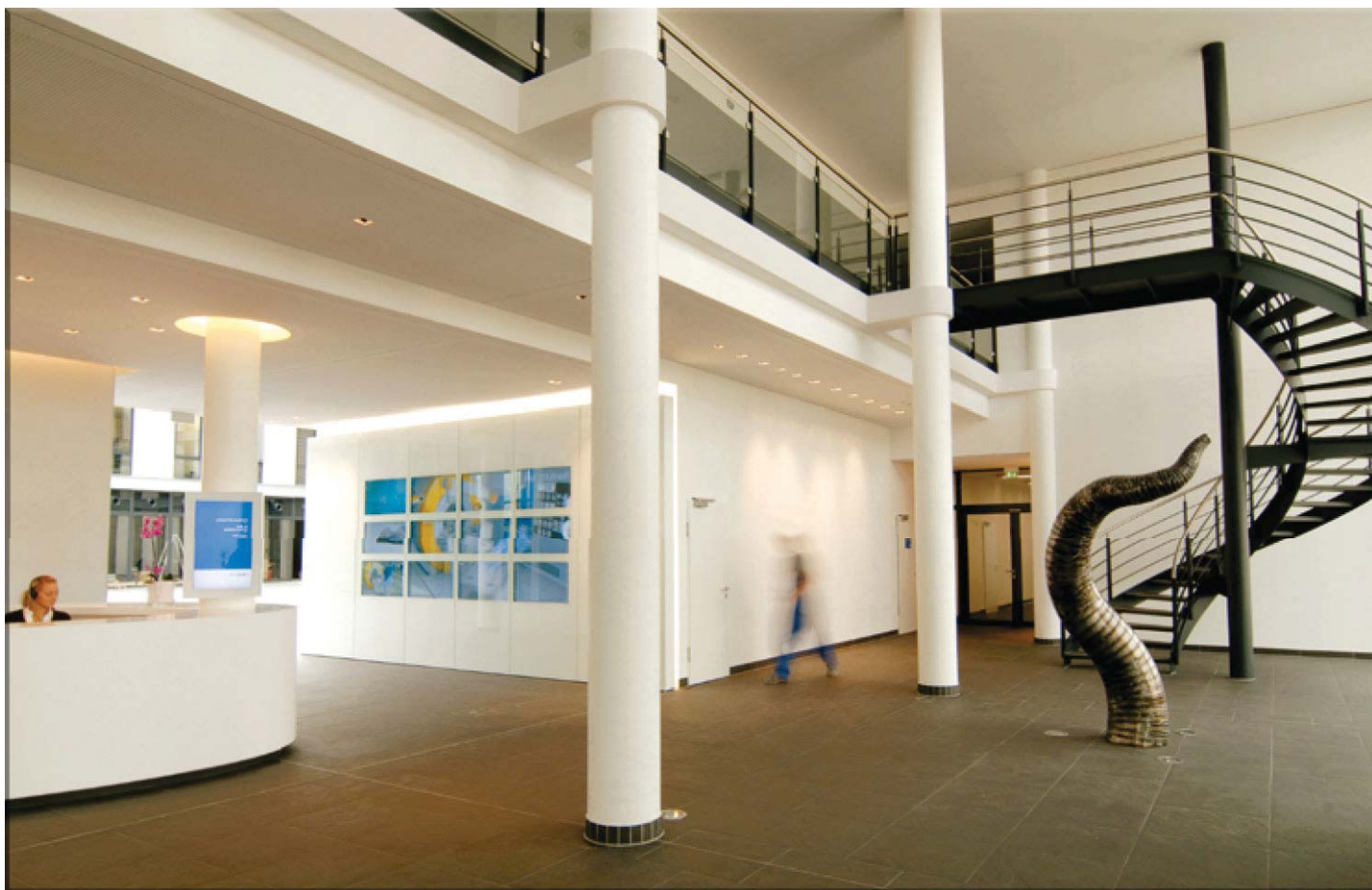
Snow 2					
		CLD CELL		W tot.	LED (Ta=25°C)
wattage/W	colour	weight	code	15	Kelvin - ølm - CRI
LED white	white	0,30	22082710-00		3000K - 1300lm - CRI 80
LED white	silver	0,30	22082770-00		







FIXED RECESSED  
DOWNLIGHTS

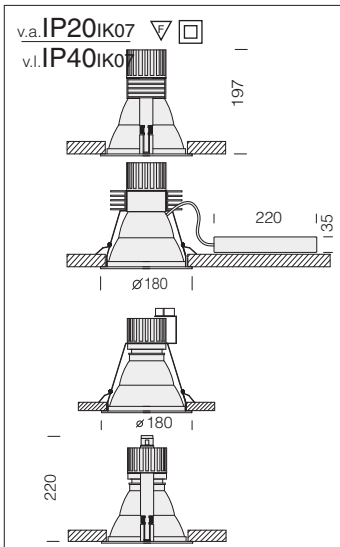


**Housing:** in die cast aluminium.  
**Reflector:** aluminium 99.98, anodised and metalized.



Roma 2 - Twist 1100 GEN III					
		CLD CELL-D		LED (Ta=25°C)	
wattage/W	colour	weight	code	W tot	Kelvin - ølm - CRI
Twist 1100 GEN III	white	1,10	22080112-00	16	3000K - 1100lm - CRI 80

CLD CELL-D: IGBT phase cutting dimming.



DSS LED TWIST 25.000h

M Ø 160

EL A2 DIG DIMM

A1 DIMM

Fortimo 2000 DLM

2000 DLM

LED

new

**Roma 1 - Fortimo 2000 DLM - 3000K**

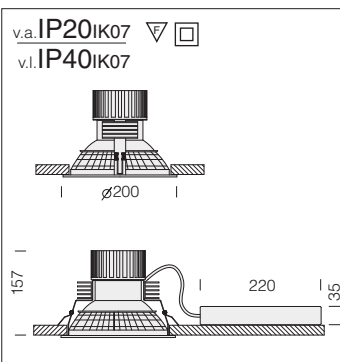
		CLD CELL	CLD CELL-E	CLD CELL-D	CLD CELLD-DIG (dali)	CLD CELLD-DIG-E (dali)		
wattage/W	colour	weight	code	code	code	code	W tot.	
2000 DLM 22W	white	2,50	22080012-00	22080012-09	22080012-12	22080012-1241	22080012-9441	25

CLD CELL-D: IGBT phase cutting dimming. CLD CELLD-DIG: DALI dimming

DLM 2000	
LED (Tc=50°C)	
Kelvin - ølm - CRI - h	W tot.
3000K - 22W = 2000lm - CRI80 - 50.000h	25

Roma 1 - Twist 1100 GEN III						
		CLD CELL-D			LED (Ta=25°C)	
wattage/W	colour	weight	code	W tot	Kelvin - ølm - Ra	
Twist 1100 GEN III	white	1,00	22080011-00	16	3000K - 1100lm - Ra 80	

CLD CELL: IGBT phase cutting dimming.



DSS LED FORTIMO 50.000h

M Ø 185

EL A2 DIG DIMM

A1 DIMM

Fortimo DLM 2000

DLM 2000

LED

new

**Roma 4 - Fortimo 2000 DLM - 3000K**

		CLD CELL	CLD CELL-E	CLD CELL-D	CLD CELLD-DIG (dali)	CLD CELLD-DIG-E (dali)		
wattage/W	colour	weight	code	code	code	code	W tot.	
2000 DLM 22W	white	1,40	22080314-00	22080314-09	22080314-12	22080314-1241	22080314-9441	25

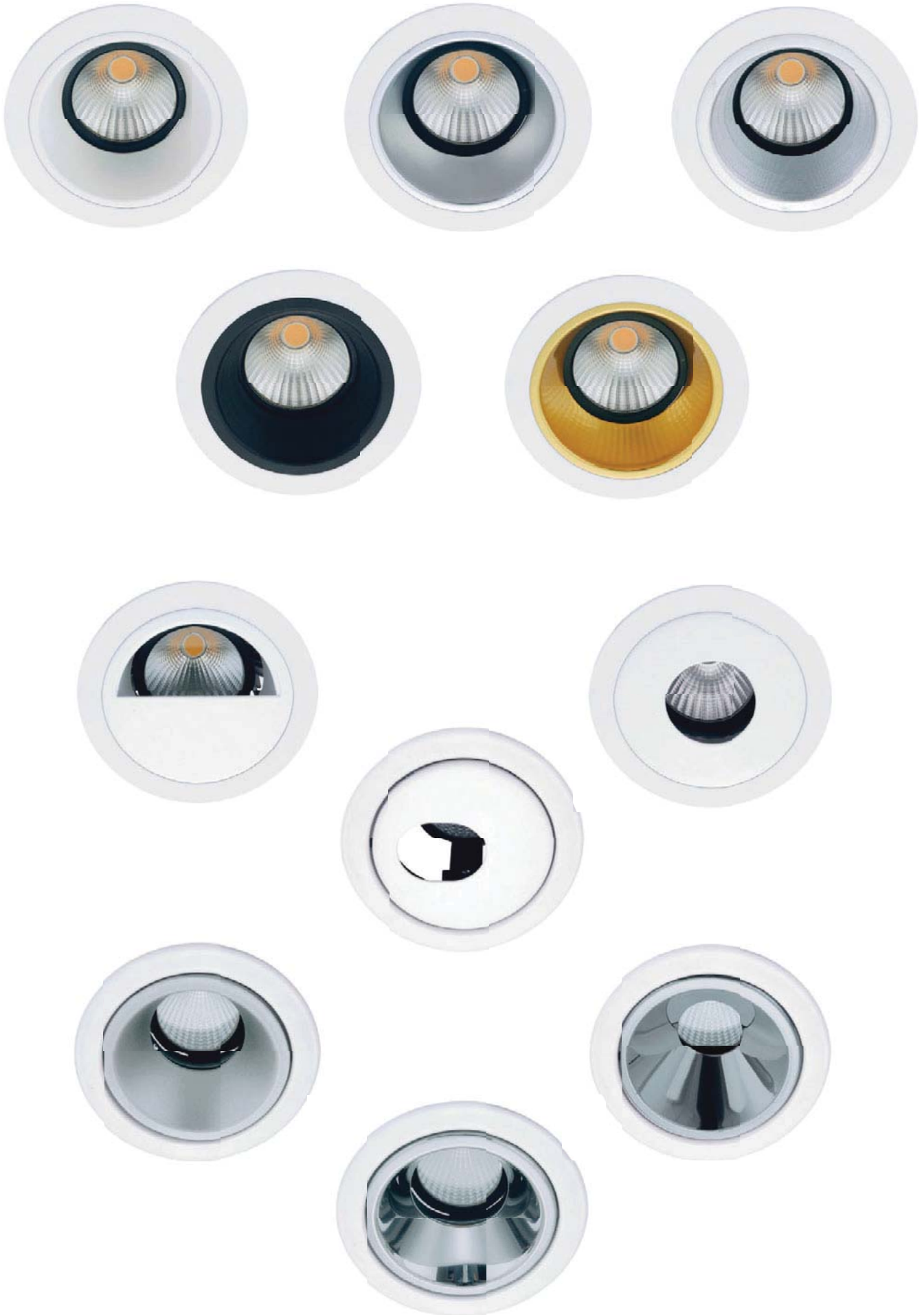
CLD CELL-D: IGBT phase cutting dimming. CLD CELLD-DIG: DALI dimming

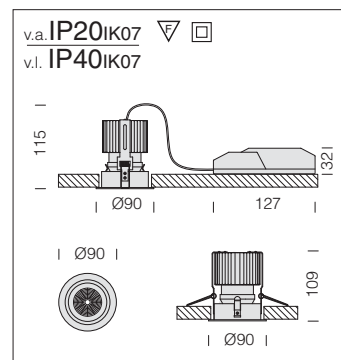
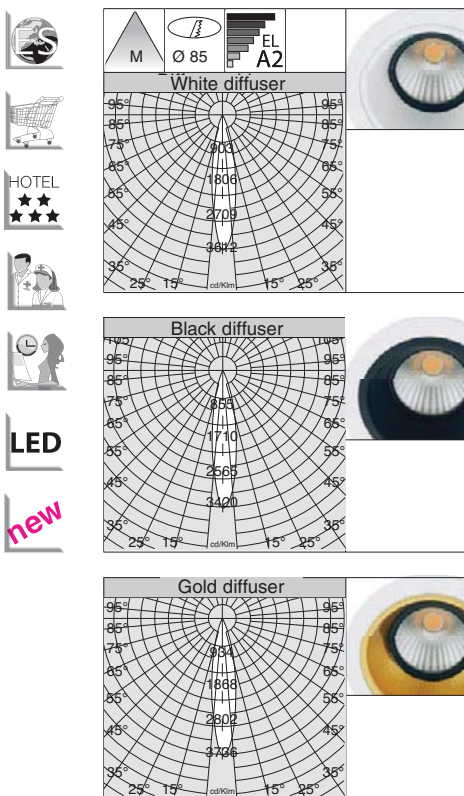
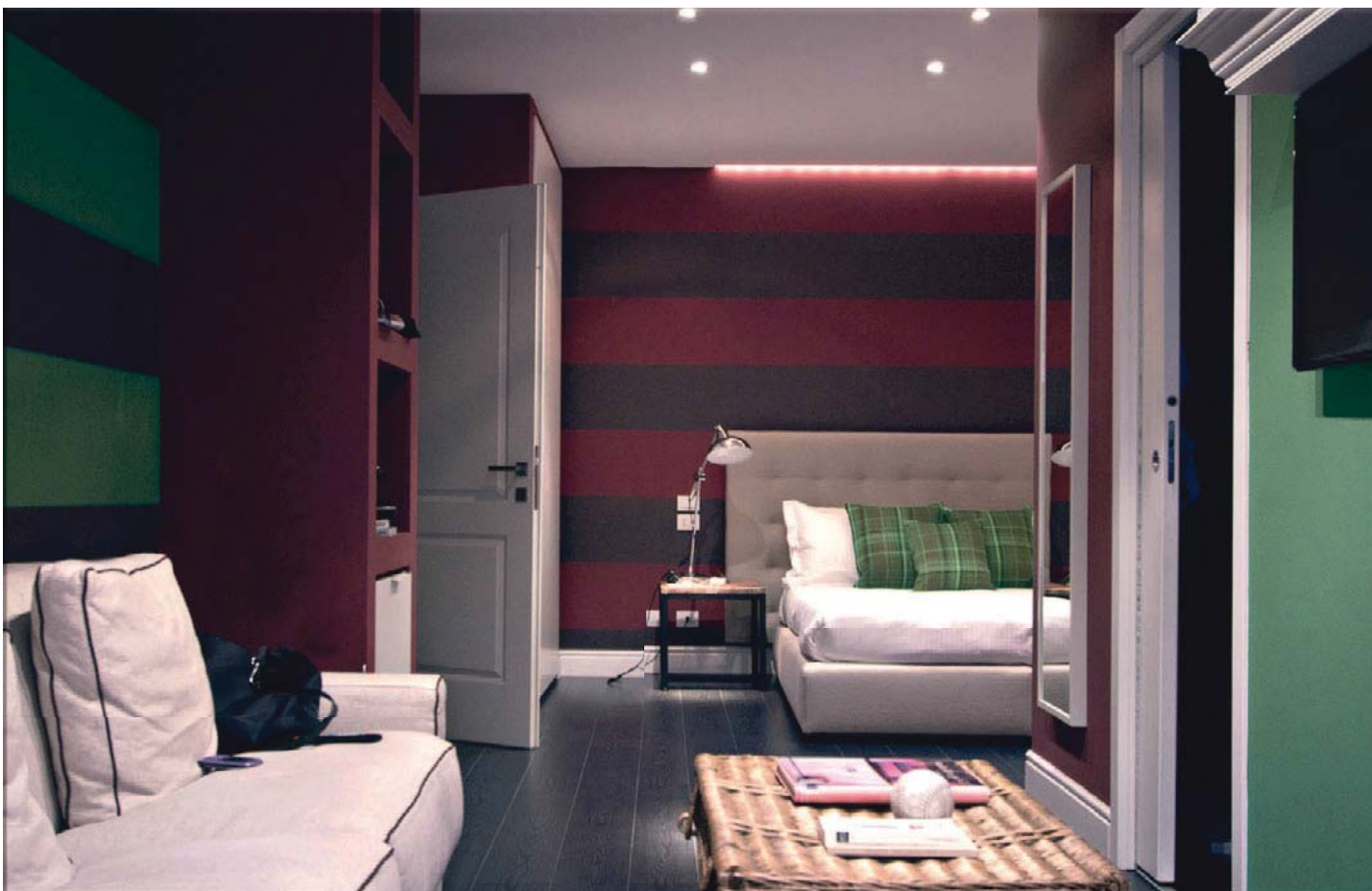
**Roma 4 - Fortimo 2000 DLM - 4000K**

		CLD CELL	CLD CELL-E	CLD CELL-D	CLD CELLD-DIG (dali)	CLD CELLD-DIG-E (dali)		
wattage/W	colour	weight	code	code	code	code	W tot.	
2000 DLM 20W	white	1,40	22080313-00	22080313-09	22080313-12	22080313-1241	22080313-9441	23

CLD CELL-D: IGBT phase cutting dimming. CLD CELLD-DIG: DALI dimming



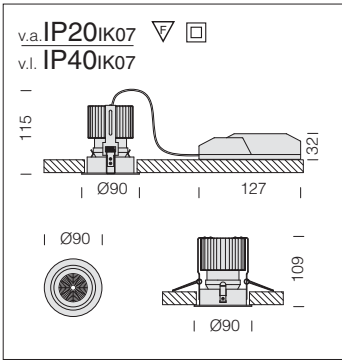




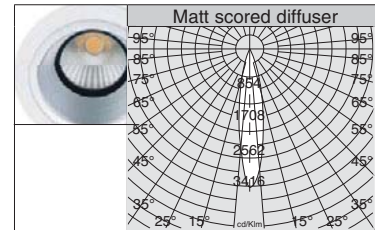
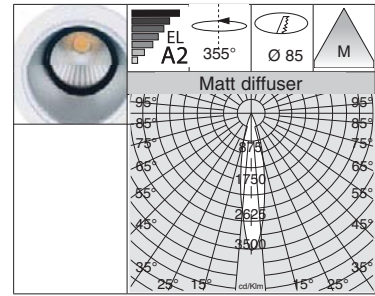
**Housing:** in aluminium with metal finish

Atlas 1 - LED					
		CLD CELL		LED (Ta=25°C)	
wattage/W	colour	weight	code	W tot	Kelvin - ølm- CRI
Power LED	white	0,20	22068015-00	12	3000 K - 720 lm - CRI82
Power LED	black	0,20	22068014-00		
Power LED	gold	0,20	22068018-00		

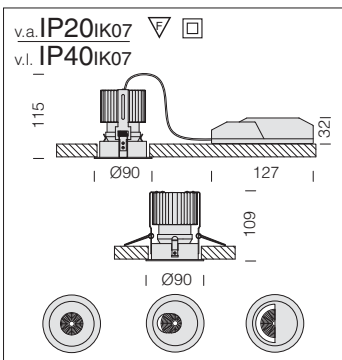




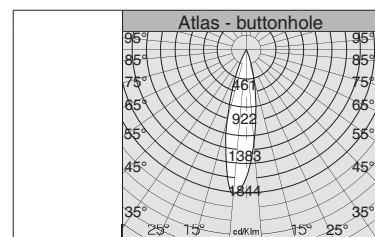
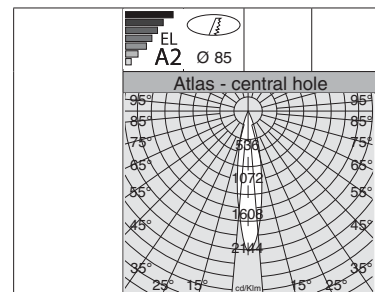
**Housing:** in aluminium with metal finish



Atlas 2 - LED					
		CLD CELL		W tot	LED (Ta=25°C)
wattage/W	colour	weight	code		Kelvin - ølm - CRI
Power LED	matt	0,20	22068017-00	12	3000 K - 720 lm - CRI82
Power LED	matt scored	0,20	22068016-00		



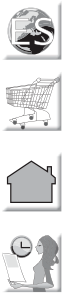
**Housing:** in aluminium with metal finish.  
For narrow beam light.



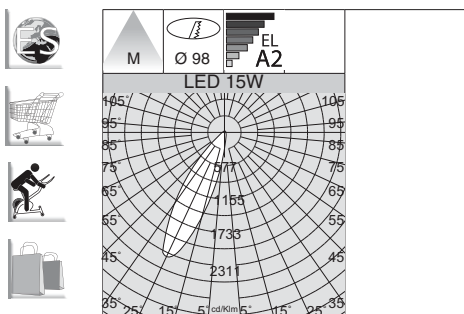
Atlas 3 - LED - central hole					
		CLD CELL		W tot	LED (Ta=25°C)
wattage/W	colour	weight	code		Kelvin - ølm - CRI
Power LED	white	0,20	22068020-00	12	3000 K - 720 lm - CRI82

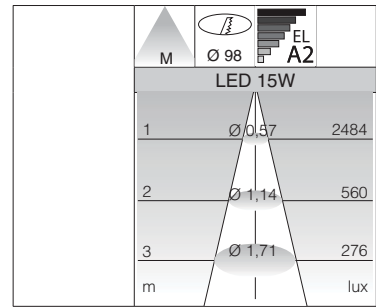
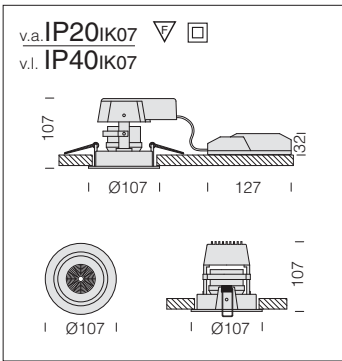
Atlas 3 - LED - buttonhole					
		CLD CELL		W tot	LED (Ta=25°C)
wattage/W	colour	weight	code		Kelvin - ølm - CRI
Power LED	white	0,20	22068019-00	12	3000K - 720 lm - CRI 82

Atlas 3 - LED - asymmetric					
		CLD CELL		W tot	LED (Ta=25°C)
wattage/W	colour	weight	code		Kelvin - ølm - CRI
Power LED	white	0,20	22068021-00	12	3000K - 720 lm - CRI 82



LED  
new

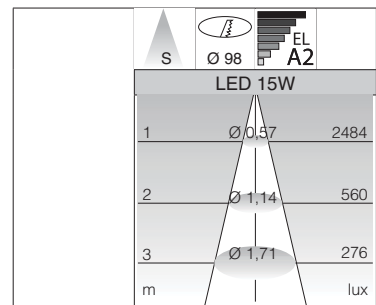
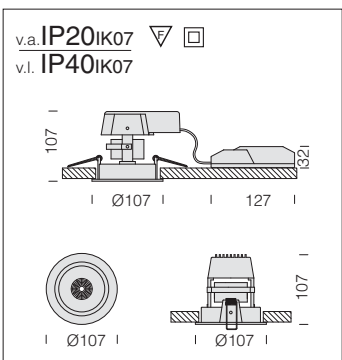




**Housing:** coated plated.

**Reflector narrow beam:** V2 self-extinguishing polycarbonate, metallized with aluminium powders through a C.V.D. hard-vacuum process

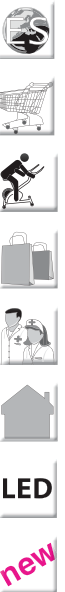
Atlas 11 - LED - dark					
		CLD CELL		LED (Ta=25°C)	
wattage/W	colour	weight	code	W tot	Kelvin - ølm - CRI
Power LED	white	0,50	22061615-00	15	3000K - 790lm - CRI 80



**Housing:** coated plated.

**Reflector narrow beam:** V2 self-extinguishing polycarbonate, metallized with aluminium powders through a C.V.D. hard-vacuum process

Atlas 12 - LED - narrow beam					
		CLD CELL		LED (Ta=25°C)	
wattage/W	colour	weight	code	W tot.	Kelvin - ølm - CRI
Power LED	white	0,50	22061617-00	15	3000K - 790lm - CRI 80

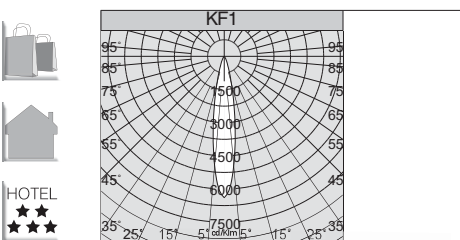
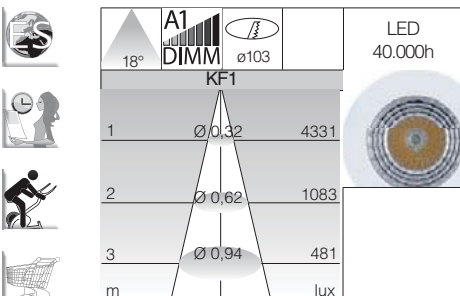




**Housing:** aluminum.

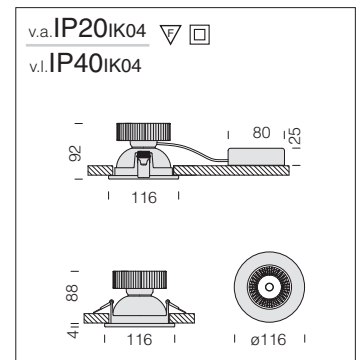
**Reflector:** dark light optics in high gloss, anti-glare aluminium to optimise light efficiency.

Well-suited to cover pre-existing holes without the need of further interventions in plasterboard false-ceilings.



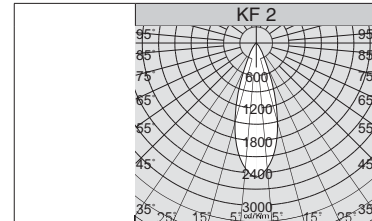
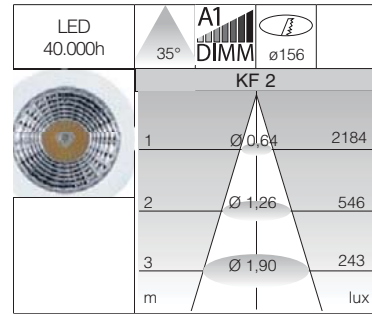
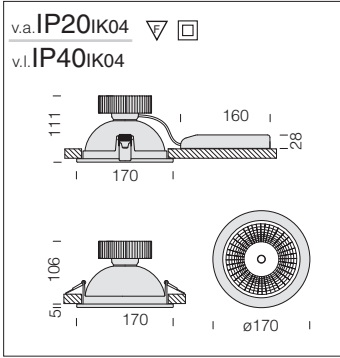
LED

new



KF 1 - Comfort LED - DIMM					
		CLD CELL-D		LED (Ta=25°C)	
wattage	colour	weight	code	W tot	Kelvin - lm - CRI - degrees
LED 11W	white	0,20	22174611-08	13	4000K - 1200lm - CRI>80 - 18°

Also available emergency version with subcode -09.

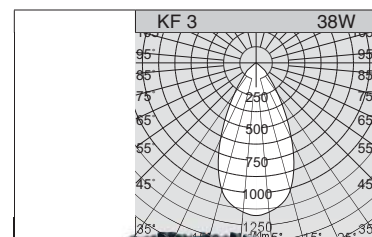
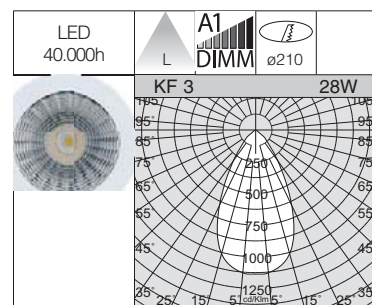
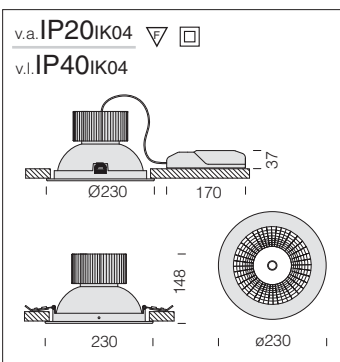


KF 2 - Comfort LED - DIMM					
		CLD CELL-D		LED (Ta=25°C)	
wattage	colour	weight	code	W tot.	Kelvin - lm - CRI - degrees
<b>LED 18W</b>	white	0,30	<b>22174613-08</b>	<b>23</b>	4000K - 1800lm - CRI>80 - 35°

Also available emergency version with subcode -09.



**LED**  
*new*



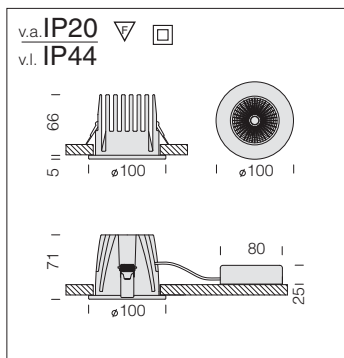
KF 3 - Comfort LED - DIMM					
		CLD CELL-D		LED (Ta=25°C)	
wattage/W	colour	weight	code	W tot.	Kelvin - lm - CRI - degrees
<b>LED 24W</b>	white	0,40	<b>22174615-08</b>	<b>28</b>	4000K - 2400lm - CRI>80 - 54°
<b>LED 34W</b>	white	0,50	<b>22174617-08</b>	<b>38</b>	4000K - 3000lm - CRI>80 - 54°

Also available emergency version with subcode -09.

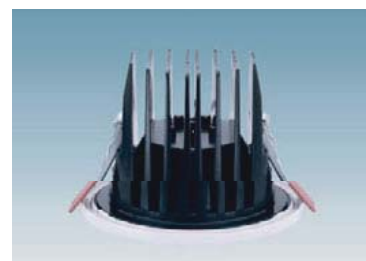
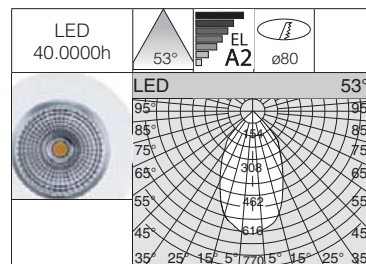


**LED**  
*new*



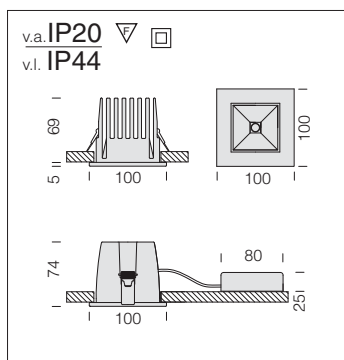


**Housing:** coated plated.  
**Reflector:** dark light optics in high gloss, anti-glare aluminium to optimise light efficiency.  
 Complete with glass.

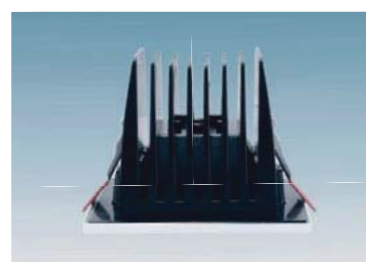
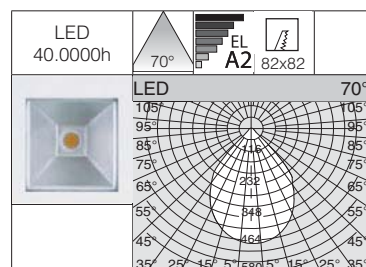


JF 1 - mini round					
		CLD CELL		LED (Ta=25°C)	
wattage/W (280mA)	color	weight	code	W tot.	Kelvin - h - ølm - degrees - Ra
LED 12W	white	1,00	22175210-00	12	3000K - 30000h - 884lm - 53° - Ra>80
Citizen LED.					

Upon request: version with matt satin-finish glass



**Housing:** coated plated.  
**Reflector:** dark light optics in high gloss, anti-glare aluminium to optimise light efficiency.  
 Complete with glass.



JF 2 - mini square					
		CLD CELL		LED (Ta=25°C)	
wattage/W (280mA)	color	weight	code	W tot.	Kelvin - h - ølm - degrees - Ra
LED 12W	white	1,00	22175310-00	12	3000K - 30000h - 884lm - 70° - Ra>80
Citizen LED.					



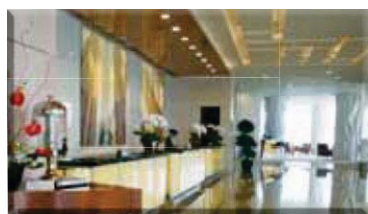


M	Ø120	EL A2	LED DR BULB E27
---	------	-------	-----------------



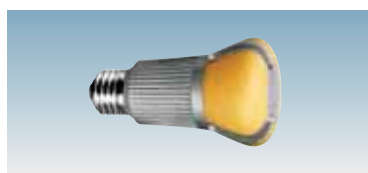
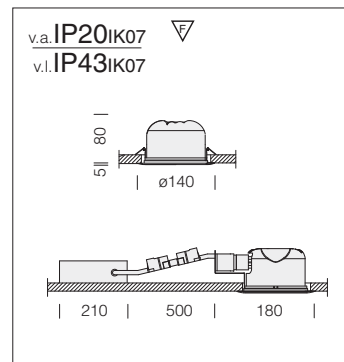
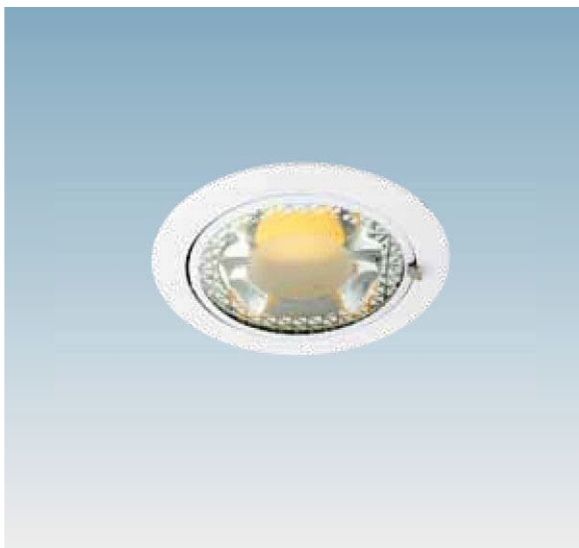
LED

new



**12W dimmable LED Bulb**

Very well-suited for the general lighting of public and reception spaces, especially lobbies, corridors or stairways, where lights stay on all day.

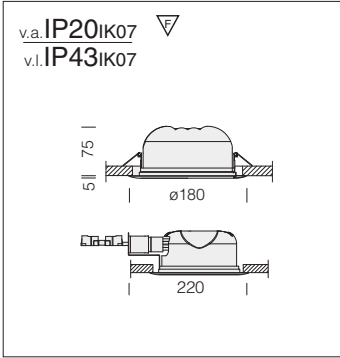


Mini Lex 1 - with silk-screened glass - Home					
		CLD CELL		W tot	Led (Ta=25°C)
wattage/W	colour	weight	code		Kelvin - ølm - CRI
MASTERLED Bulb 12W	white	0,60	22172011-00	12W	2700K - 806lm - CRI 80
MASTERLED Bulb 12W	m. silver	0,60	22172071-00		



Mini Lex 1 - with silk-screened glass - Home					
		CELL		Lamps (Ta=25°C)	
wattage/W	colour	weight	code	Kelvin - ølm - Ra	
FLC-EL 1x15	white	0,40	22172014-00	2700K - 850lm - Ra 82	
FLC-EL 1x15	m. silver	0,40	22172074-00		



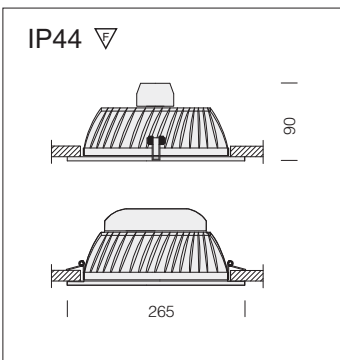


FLC-EL...FBT E27			



**Mini Lex 2 - with silk-screened glass - Home**

wattage/W	colour	CELL		Lamps (Ta=25°C)	
		weight	code	Kelvin - ølm - Ra	
FLC-EL 1x20	white	0,60	22172015-00	2700K - 1200lm - Ra 82	
FLC-EL 1x20	m. silver	0,60	22172075-00	2700K - 1200lm - Ra 82	

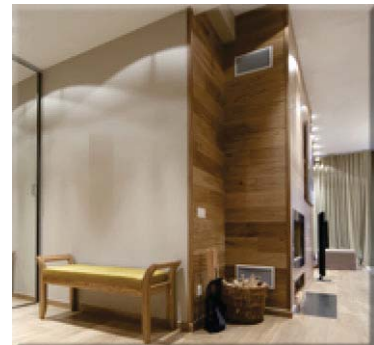


LED		
<b>Maxi Lex LED</b>		
1	Ø 2,37	978
2	Ø 4,74	244
3	Ø 7,11	109
m		lux



**Maxi Lex LED**

wattage/W	colour	CLD CELL		W tot	LED (Ta=25°C)	
		weight	code		Kelvin - ølm - CRI	
LED bianco	white	0,75	22173510-00	30	3000 K - 2550 lm - CRI 80	
LED bianco	white	0,75	22173515-00		4000 K - 2850 lm - CRI 80	



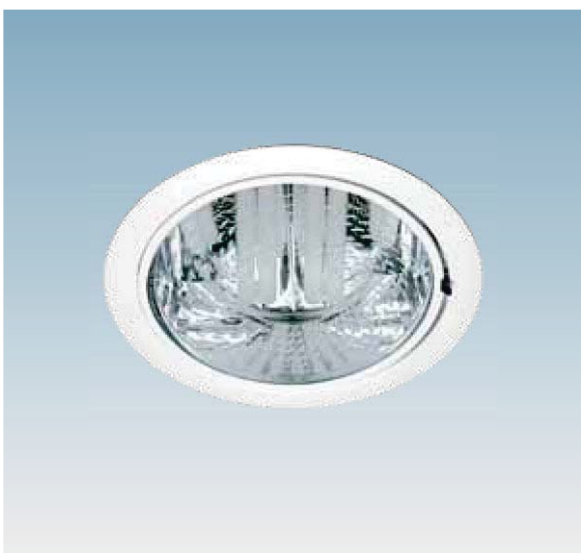


v.a. IP20IK07  
v.l. IP43IK07

**Diffuser:** frosted glass  
On request: "LOOP-IN" connection system to the mains power supply of two or more lighting fixtures, where each conductor comes in and out of the same terminal.

Lex - Home										
		CELL		CELL-E		CELL-D		CELLD-E		Lampade (Ta=25°C)
potenza/W	colore	weight	code	weight	code	weight	code	weight	code	Kelvin - ølm - Ra
FLC-D/E 2x18	white	0,80	22173010-08	1,90	22173010-09	0,80	22173010-12	1,90	22173010-94	4000K-1200lm-Ra 1b
FLC-D/E 2x26	white	0,80	22173011-08	1,90	22173011-09	0,80	22173011-12	1,90	22173011-94	4000K-1800lm-Ra 1b
FLC-D/E 2x18	m. silver	1,00	22173070-08	2,10	22173070-09	1,00	22173070-12	2,10	22173070-94	4000K-1200lm-Ra 1b
FLC-D/E 2x26	m. silver	1,00	22173071-08	2,10	22173071-09	1,00	22173071-12	2,10	22173071-94	4000K-1800lm-Ra 1b

**On request:** LOOP-IN with subcode **-0890**, with subcode **-000092** for predisposition presence sensor (to buy separately, see chapter "Technical components").

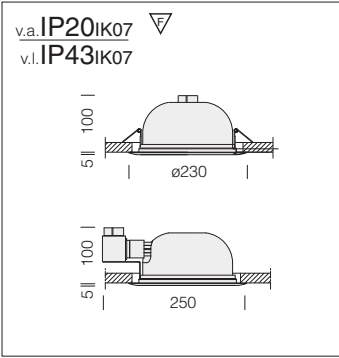


v.a. IP20IK07  
v.l. IP43IK07

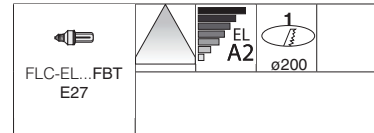
**On request:** transparent glass.

Lex - con vetro serigrafato - Home										
		CELL		CELL-E		CELL-D		CELLD-E		Lámparas (Ta=25°C)
wattage/W	colour	weight	code	weight	code	weight	code	weight	code	Kelvin - ølm - Ra
FLC-D/E 2x18	white	0,80	22173016-08	1,90	22173016-09	0,80	22173016-12	1,90	22173016-94	4000K-1200lm-Ra 1b
FLC-D/E 2x26	white	1,00	22173015-08	2,10	22173015-09	0,80	22173015-12	1,90	22173015-94	4000K-1800lm-Ra 1b
FLC-D/E 2x18	m. silver	0,80	22173076-08	1,90	22173076-09	1,00	22173076-12	2,10	22173076-94	4000K-1200lm-Ra 1b
FLC-D/E 2x26	m. silver	1,00	22173075-08	2,10	22173075-09	1,00	22173075-12	2,10	22173075-94	4000K-1800lm-Ra 1b

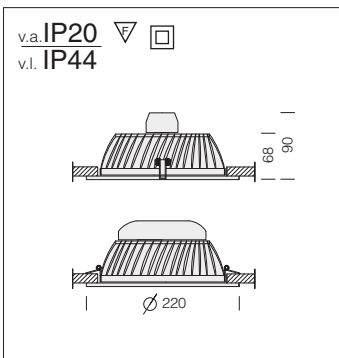
**On request:** LOOP-IN with subcode **-0890**, with subcode **-000092** for predisposition presence sensor (to buy separately, see chapter "Technical components").



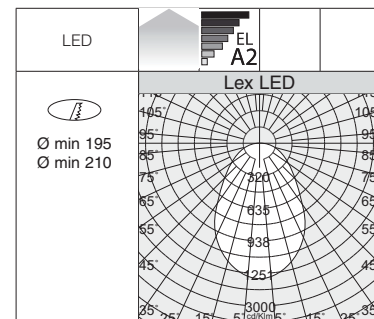
Suited for areas with high traffic. Easy maintenance.



Eco Lex - Home				
		CELL		Lamps (Ta=25°C)
wattage/W	colour	weight	code	Kelvin - ølm - Ra
FLC 2x15EL	white	1,50	22172911-00	2700K - 850 lm - Ra 1b
FLC 2x15EL	white	1,50	22172913-00	4000K - 800 lm - Ra 1b



**Housing:** in die-cast aluminium.  
Universally applicable, suitable to replace downlights with cut out diameters ranging from 195mm to 210mm.

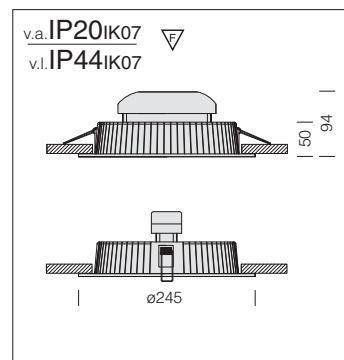
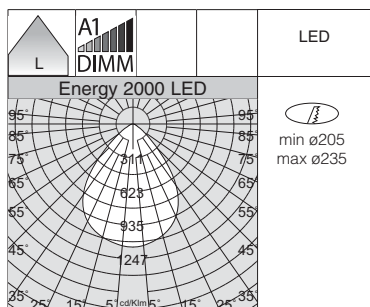


Lex LED					
		CLD CELL		W tot	LED (Ta=25°C)
wattage/W	colour	weight	code		Kelvin - ølm - CRI
LED white	white	0,75	22173415-00	20	4000K - 2024lm - CRI 80



FIXED RECESSED DOWNLIGHTS





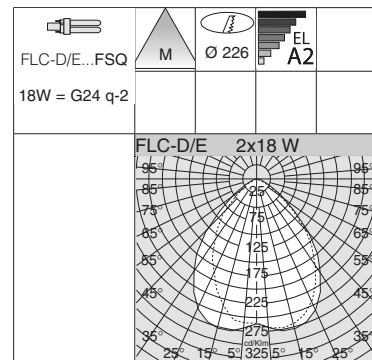
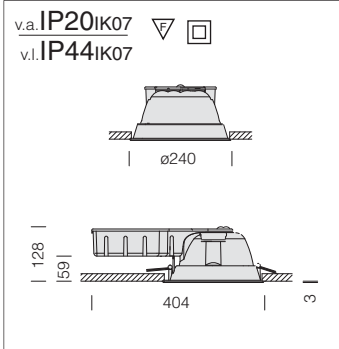
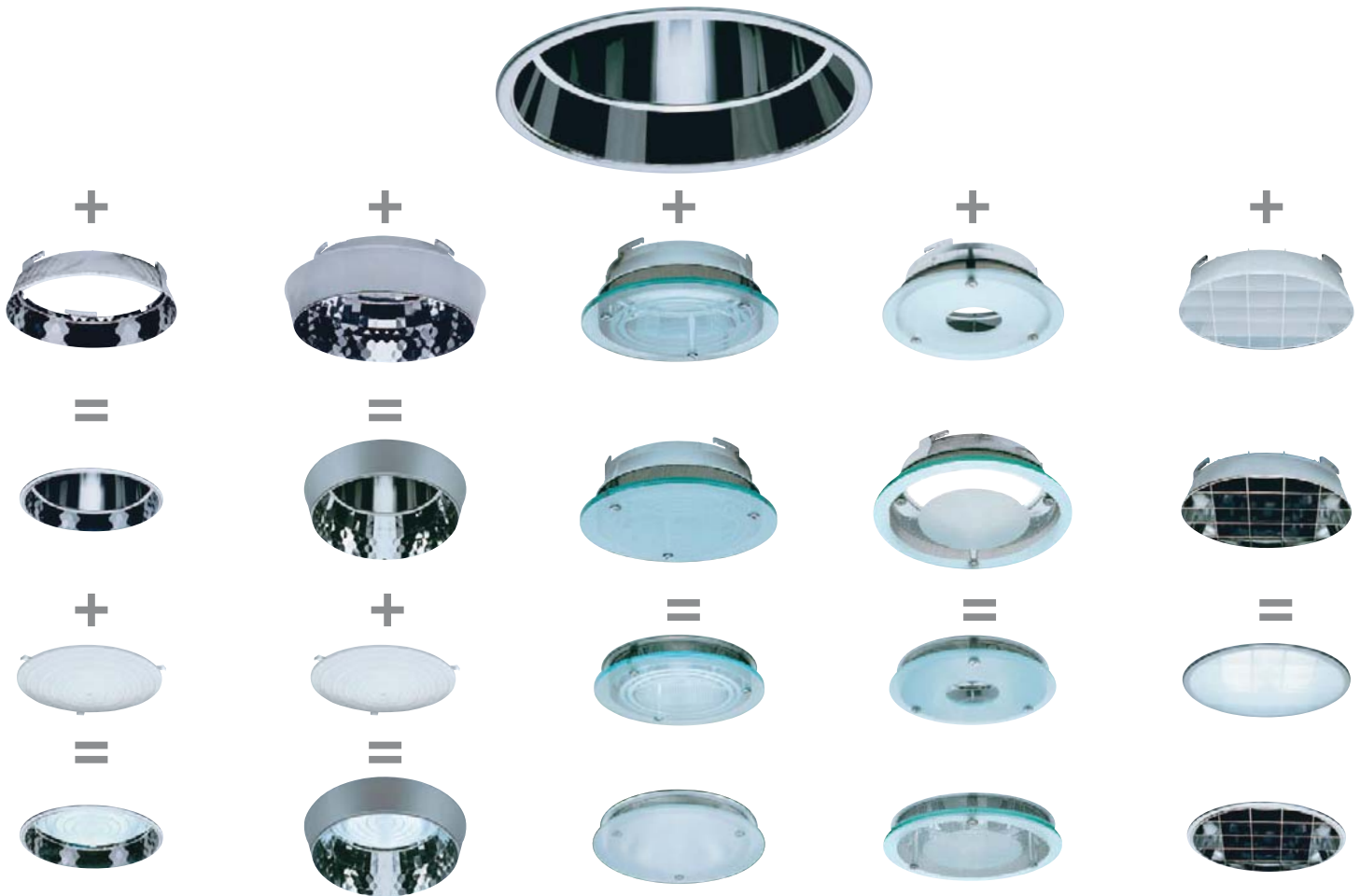
Versions in die-cast aluminium.  
**Diffuser:** panel in PMMA, 6 mm thick, with laser silk-screening suitably dimensioned based on the power level of the LED



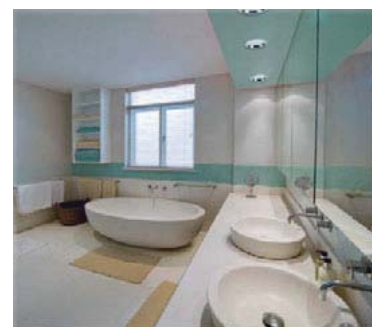
Energy 2000 - DIMM - LED					
		CLD CELL-D		LED (Ta=25°C)	
wattage/W (700mA)	colour	weight	code	W tot	Kelvin - ølm (700mA) - CRI
LED 25W	white	1.00	22172210-00	25	4000 K - 2063lm - CRI > 80

On project: different dimensions.





Complete with matt shield, which gives the device IP44 level protection.  
Due to its IP44 rating, it can be installed in many different settings.



Energy 2000 - IP44				
		CELL		Lamps (Ta=25°C)
wattage/W	colour	weight	code	Kelvin - ølm - Ra
FLC-D/E 2x18	white	1,00	22172170-00	3000K - 1200 lm - Ra 1b
FLC-D/E 2x18	white	1,00	22172171-00	4000K - 1200 lm - Ra 1b



L	Ø226	EL A2	EM	FLC-D/E...FSQ
MAIN CONTROL SYSTEM	A1	DIMM	DIMM	G24
		DIMM	DIG	18W = G24 q-2
				26W = G24 q-3
FLC-D-E 2x26W				PL-R...FSM GR14



v.a. IP20IK07  
v.l. IP23IK07

**PL-R Eco 17W = FLC 26W**  
**Energy-saving=** it uses **25%** less power compared to standard compact fluorescent lamps and has a longer life span (24,000 hours); the new rotating connector enables easy installation.

Energy 2000							
wattage/W	colour	CELL		CELL-D (1-10V)		CELLD-D	Lamps (Ta=25°C)
		weight	code	weight	code	code	Kelvin - ølm - Ra
PL-R ECO 1x17	aluminium	0,80	22172173-00	0,90		22172173-1241	4000K - 1250lm - Ra 1b
FLC-D/E 1x18	aluminium	0,80	22172175-08	0,90	22172175-12		4000K - 1200 lm - Ra 1b
FLC-D/E 1x26	aluminium	0,90	22172177-08	1,00	22172177-12		4000K - 1800 lm - Ra 1b
FLC-D/E 1x18	aluminium	0,80	22173175-08	0,90	22173175-12		3000K - 1200 lm - Ra 1b
FLC-D/E 1x26	aluminium	0,90	22173177-08	1,00	22173177-12		3000K - 1800 lm - Ra 1b
FLC-D/E 2x18	aluminium	0,90	22173178-08	1,00	22173178-12		3000K - 1200 lm - Ra 1b
FLC-D/E 2x26	aluminium	1,00	22173176-08	1,10	22173176-12		3000K - 1800 lm - Ra 1b
FLC-D/E 2x18	aluminium	0,90	22172178-08	1,00	22172178-12		4000K - 1200 lm - Ra 1b
FLC-D/E 2x26	aluminium	1,00	22172176-08	1,10	22172176-12		4000K - 1800 lm - Ra 1b

Energy 2000 - dimmable							
wattage/W	colour	CELLD-E (1-10V)		CELLD-DIG (dali)		CELLD-DIG-E (dali)	
		weight	code	weight	code	weight	code
FLC-D/E 2x26	aluminium	1,00	22173176-94	1,00	22173176-1241	1,00	22173176-9441
FLC-D/E 2x26	aluminium	1,00	22172176-94	1,00	22172176-1241	1,00	22172176-9441



Energy 2000 - Short version - with separate box							
wattage/W	colour	CNRL		Lamps (Ta=25°C)			
		weight	code	Kelvin - Ra - ølm			
FLC-D/E 2x26	aluminium	0,80	22173174-00	3000K - 1800 lm			
FLC-D/E 2x26	aluminium	0,80	22172174-00	4000K - 1800 lm			

It is also useful in case of space problems, caused by other services pathway in the false ceiling.



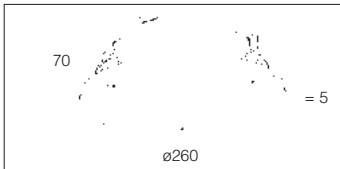
Energy 2000 - with separate box							
wattage/W	colour	CELL		Lamps (Ta=25°C)			
		weight	code	Kelvin - Ra - ølm			
FLC-D/E 2x18	aluminium	0,80	22173172-08	3000K - Ra 1b - 1200 lm			
FLC-D/E 2x26	aluminium	0,80	22173174-08	3000K - Ra 1b - 1800 lm			

It can be installed with separate box hanging from the ceiling to reduce weight. It is also useful in case of space problems, caused by other services pathway in the false ceiling. Cable: 60 cm.

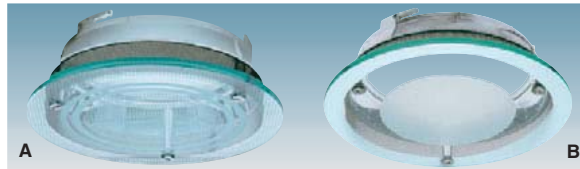


Energy 2000 - Emergency version							
wattage/W	colour	CELL-E		Lamps (Ta=25°C)			
		weight	code	Kelvin - Ra - ølm			
FLC-D/E 1x18	aluminium	1,90	22172175-09	4000K - Ra 1b - 1200 lm			
FLC-D/E 1x26	aluminium	2,00	22172177-09	4000K - Ra 1b - 1800 lm			
FLC-D/E 2x18	aluminium	2,00	22173178-09	3000K - Ra 1b - 1200 lm			
FLC-D/E 2x26	aluminium	2,10	22173176-09	3000K - Ra 1b - 1800 lm			
FLC-D/E 2x18	aluminium	2,00	22172178-09	4000K - Ra 1b - 1200 lm			
FLC-D/E 2x26	aluminium	2,10	22172176-09	4000K - Ra 1b - 1800 lm			

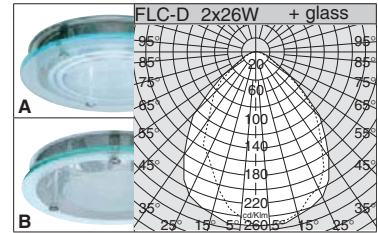
In the event of a black-out the one lamp connected to the back-up circuit stays on (maintained version), thus avoiding the inconvenience caused by a sudden absence of all light. Emergency run time: 60 minutes. When power is restored, the battery recharges automatically.



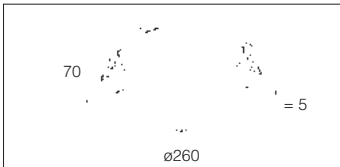
5mm thick silk-screen tempered glass finishing. Micro-stretched steel ring placed between the glass and the housing acts as an insect barrier. Becomes IP43 once installed on the product.



Glass A	
printed	22091815-00
Glass B	
printed	22091818-00



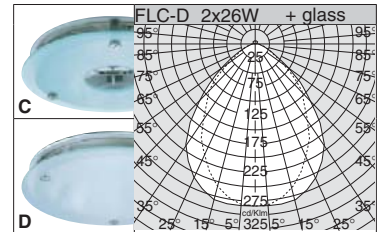
v.l. IP43



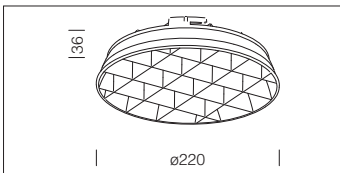
5mm thick silk-screen tempered glass finishing. Micro-stretched steel ring placed between the glass and the housing acts as an insect barrier. Becomes IP23 once installed on the product.



Glass C	
printed	22091817-00
Glass D	
sandblasted	22091816-00



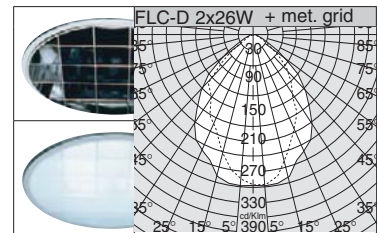
v.l. IP23



Square grid in metallic polycarbonate for greater light control



Metallized grid	
metal	22091875-00

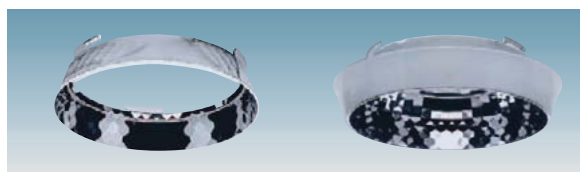
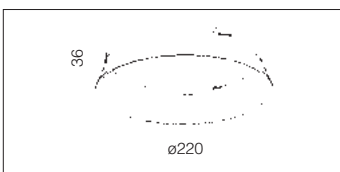


v.l. IP23

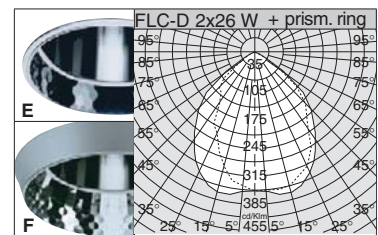


Square grid in opal anti-glare polycarbonate.

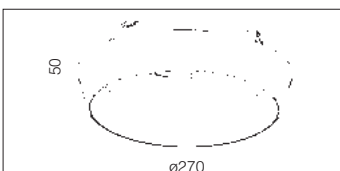
Opal grid	
opal	22091820-00



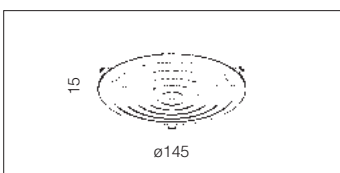
Prismatic ring	
	22091801-00



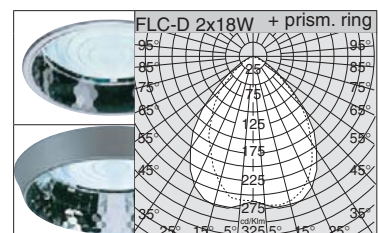
v.l. IP23



Prismatic ring	
	22091805-00



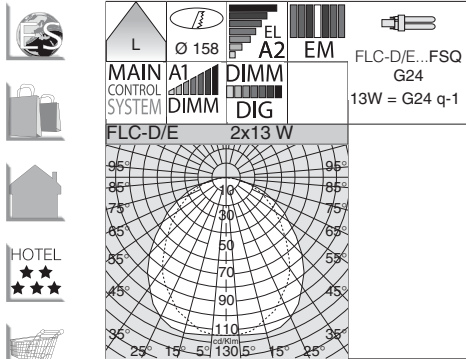
Diffuser	
transparent	22091810-00



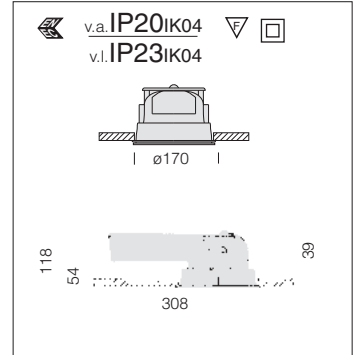
v.l. IP23



Diffuser in transparent, self-extinguishing polycarbonate material with prismatic faceting and silking for greater glare control. To be bought with acc. 22091801-00. Only FLC1x18D and FLC2x18D.



L Ø 158 EL A2 EM FLC-D/E...FSQ G24 13W = G24 q-1  
 MAIN CONTROL SYSTEM DIMM DIG  
 FLC-D/E 2x13 W  
 Beam spread diagram showing light distribution with beam angles from 25° to 95° and distances from 10 to 110.

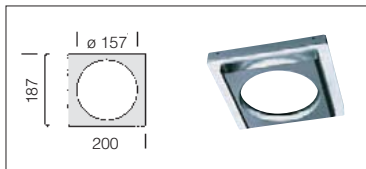



v.a. IP20IK04  
 v.l. IP23IK04  
 ø170  
 118, 54, 308

**Diffuser:** in frosted printed glass. Ideal for installation in passage-ways and halls

**Energy 9 SAB - with glass**

		CELL		CELL-E		CELL-D (1-10V)		Lamps (Ta=25°C)	
wattage/W	colour	weight	code	weight	code	weight	code	Kelvin - ølm - Ra	
FLC-D/E 1x13	aluminium	0,70	22190816-08	1,80	22190816-09	0,80	22190816-12	3000K - 900 lm - Ra 1b	
FLC-D/E 2x13	aluminium	0,70	22190814-08	1,80	22190814-09	0,80	22190814-12		

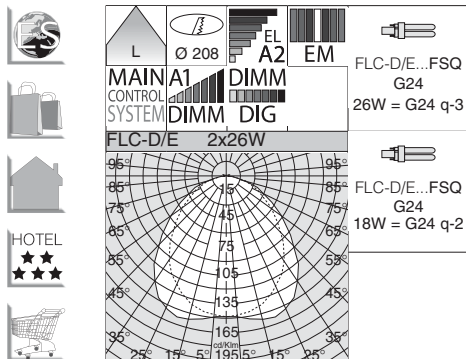


ø 157  
 187  
 200

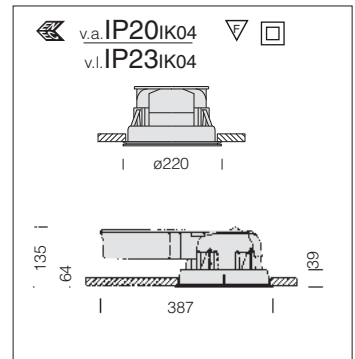
**Recess round-edge shocks**

black	22091940-00
-------	-------------

For installation on round-edge shocks: 2 pitch 100 shocks or 1 pitch 200 shocks. **For Energy 1/6/9**



L Ø 208 EL A2 EM FLC-D/E...FSQ G24 26W = G24 q-3  
 MAIN CONTROL SYSTEM DIMM DIG  
 FLC-D/E 2x26W  
 Beam spread diagram showing light distribution with beam angles from 25° to 95° and distances from 15 to 165.

v.a. IP20IK04  
 v.l. IP23IK04  
 ø220  
 135, 64, 387, 89

**Diffuser:** in frosted printed glass.

**Energy 10 SAB - with glass**

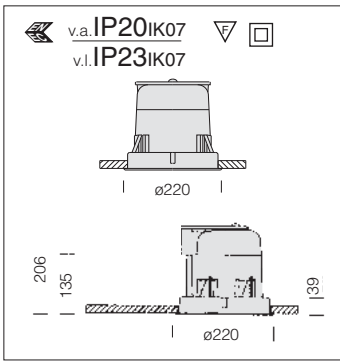
		CELL		CELL-E		CELL-D (1-10V)		CELL-D-E (1-10V)	
wattage/W	colour	weight	code	weight	code	weight	code	weight	code
FLC-D/E 2x18	aluminium	1,40	22190914-08	2,50	22190914-09	1,40	22190914-12		
FLC-D/E 2x26	aluminium	1,40	22190915-08	2,50	22190915-09	1,40	22190915-12	2,50	22190915-94

FLC-D/E 2x26: 3000K - 1800 lm - Ra 1b

**Energy 10 SAB - with glass**

		CELLD-DIG (dali)		CELLD-DIG-E (dali)		Lamps (Ta=25°C)	
wattage/W	colour	weight	code	weight	code	Kelvin - ølm - Ra	
FLC-D/E 2x26	aluminium	1,40	22190915-1241	2,50	22190915-9441	3000K - 1800 lm - Ra 1b	





**Reflector:** Polycarbonate, metalized with high grade aluminium powders through a C.V.D. hard-vacuum process for greater light control and efficiency.



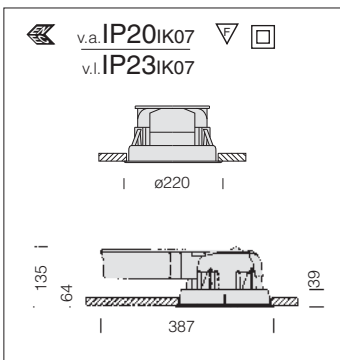
Energy 3					
		CLD CELL		LED (Ta=25°C)	
wattage/W	colour	weight	code	W tot	Kelvin - ølm
MASTERLED Bulb 12W	white	1,30	22191213-00	12	2700K - 806lm

**12W dimmable LED Bulb**

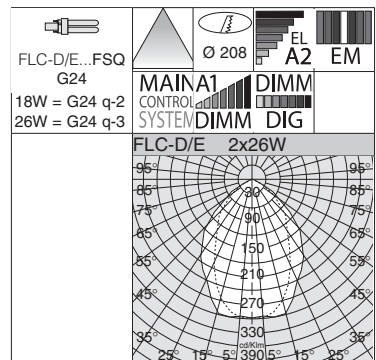
Very well-suited for the general lighting of public and reception spaces, especially lobbies, corridors or stairways, where lights stay on all day.



MASTERLED BULB	ALO
12W	60W
25.000h	1000h



**Reflector:** Polycarbonate, metalized with high grade aluminium powders through a C.V.D. hard-vacuum process for greater light control and efficiency. Ideal for installation in open-plan offices and shopping centres.

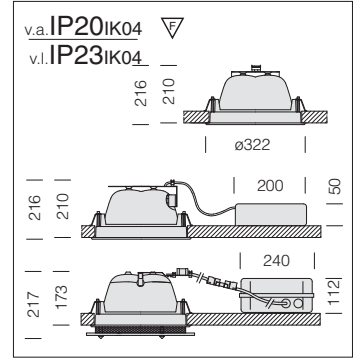
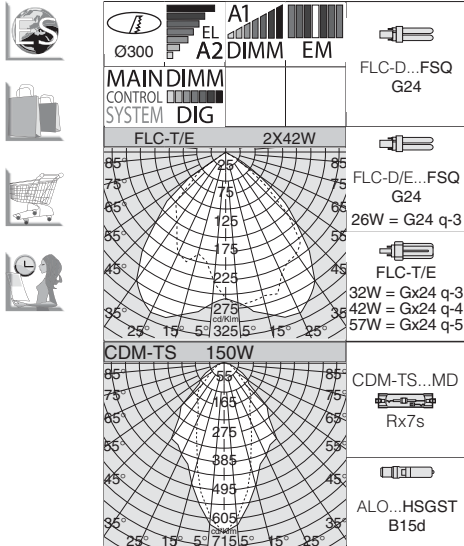


Colour ring for Energy 8	
white	22091916-00
red	22091923-00
green	22091945-00
yellow	22091954-00
blue	22091982-00

Coloured ring to be fitted to the art. Energy 8.

Energy 8						
		CELL		CELL-E		Lamps (Ta=25°C)
wattage/W	colour	weight	code	weight	code	Kelvin - ølm - Ra
FLC-D/E 1x26	white	1,10	22191417-08	2,20	22191417-09	4000K - 1800 lm - Ra 1b
FLC-D/E 2x18	white	1,10	22191419-08	2,30	22191419-09	4000K - 1200 lm - Ra 1b
FLC-D/E 2x26	white	1,20	22191416-08	2,30	22191416-09	4000K - 1800 lm - Ra 1b

Energy 8										
		CELL-D (1-10V)		CELLD-E (1-10V)		CELLD-DIG (dali)		CELLD-DIG-E (dali)		Lamps
wattage/W	colour	weight	code	weight	code	weight	code	weight	code	Kelvin - ølm
FLC-D/E 2x26	white	1,30	22191416-12			1,30	22191416-1241			4000K - 1800 lm
FLC-D/E 2x26	white			2,30	22191416-94			2,30	22191416-9441	4000K - 1800 lm



**Housing:** Made of die-cast aluminium. To be completed with accessories  
**Reflector:** Polished anodised aluminium.  
**Equipment:** Supplied with adjustable brackets. With safety springs to prevent the diffuser from falling.

Euro 1								
wattage/W	colour	CELL		CELL-E		CELL-D (1-10V)		Lamps (Ta=25°C)
		weight	code	weight	code	weight	code	Kelvin - ølm - Ra
FLC-T/E 2x32	white	1,90	22089014-00	3,70	22089014-09	2,00	22089014-12	3000K - 2400 lm - Ra 1b
FLC-T/E 2x42	white	1,80	22089015-00	3,70	22089015-09	1,90	22089015-12	3000K - 3200 lm - Ra 1b
FLC-T/E 2x42	white	1,90	22089017-00	3,70	22089017-09	2,00	22089017-12	4000K - 3200 lm - Ra 1b
PL-TX 2x42	white	1,90	22089012-00					3000K - 3200 lm - Ra 82

To complete the fixtures, it is recommended to use optic accessories. **PL-TX:** life lamps 35.000 h



Euro 2 - with glass						
wattage/W	colour	CELL		CNRL (+CLA)		Lamps (Ta=25°C)
		weight	code	weight	code	Kelvin - ølm - Ra
CDM-TS 150	white	2,60	22089117-08			3000K - 13250 lm - Ra 88
CDM-TS 150 + ALO 100 ECO	white			5,30	22089117-79	3000K-13250lm-2900K-1800lm-Ra 88



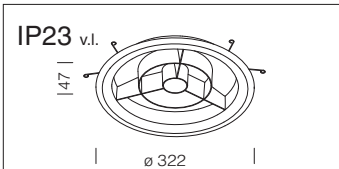
Euro 3 - with external glass						
wattage/W	colour	CELL		CNRL (+CLA)		Lamps (Ta=25°C)
		weight	code	weight	code	Kelvin - ølm - Ra
CDM-TS 150	white	3,30	22089217-08			3000K - 13250 lm - Ra 88
CDM-TS 150 + ALO 100 ECO	white			6,60	22089217-79	3000K-13250lm-Ra 88+2900K-1800lm

**CLA version:**  
 In discharge lamps, the nominal luminous level is not reached immediately. To overcome this disadvantage, the CLA version includes an electronic switching device that ignites the secondary ALO 100W lamp until the main lamp is fully operating.

**PL-TXtra lamps:**

- Very long lifespan
- Less early failures thanks to easier replacement
- Excellence performance for both long and short operation periods
- More light (about 15%) for light points compared to other commonly used technology

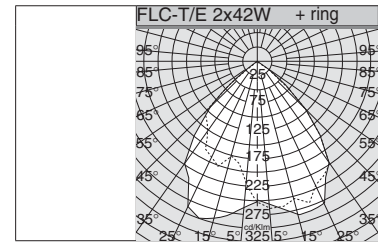
PL-T Extra 4pin 42W



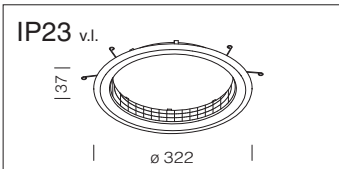
Low luminance "dark" ring.  
In metallic polycarbonate for improved light control. To be used with art. Euro 1.



Dark ring	
metallic	22092312-00



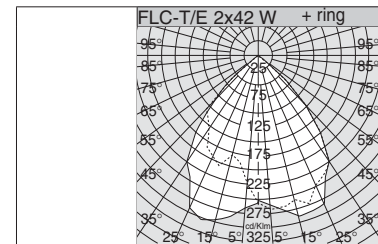
IP23



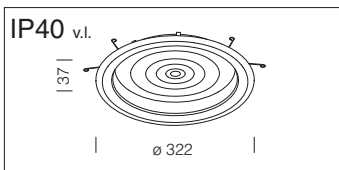
Low-luminance ring. In metallic polycarbonate with prism-like facets for greater luminous control. To be used with art. Euro 1.



Prismatic ring	
prismatic	22092310-00



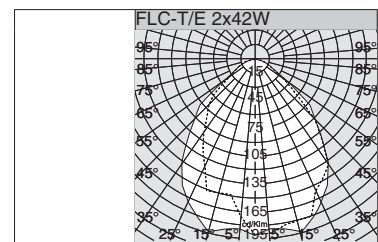
IP23



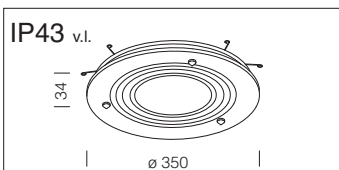
Low-luminance ring. In metallic polycarbonate with prism-like facets for greater luminous control. To be used with art. Euro 1.



Prismatic ring	
prismatic	22092316-00



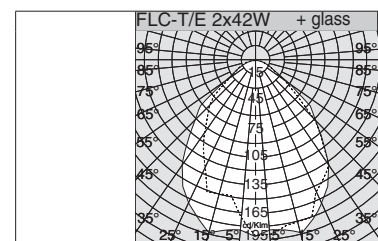
IP40



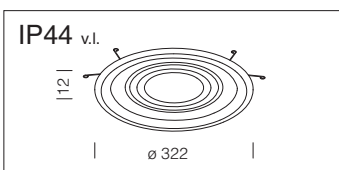
Ring with a silk screen glass.  
Glass with silk finish and micro stretched steel ring which acts as an insect barrier. To be used with art. Euro 1 which becomes IP43.



Glass	
silk-screened	22092313-00



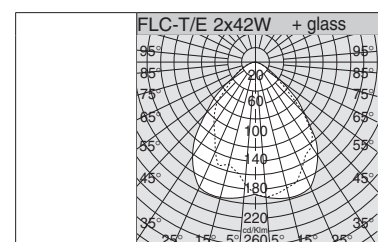
IP43



Ring with a silk screen glass insert. To be used with art. Euro 1 which becomes IP44.




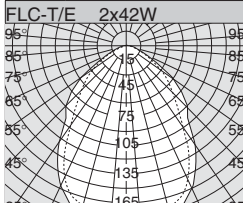
Ring + Glass	
silk-screen	22092311-00

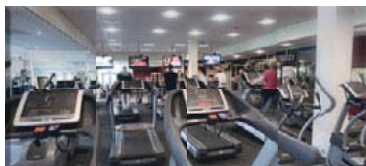


IP44

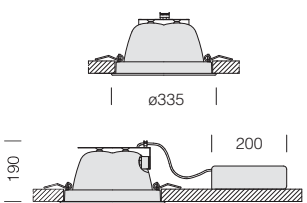




L	Ø 320	EL	A2	EM	FLC-D/E...FSQ
A1	MAIN CONTROL				42W = Gx24 q-4
DIMM SYSTEM					
FLC-T/E 2x42W					
					




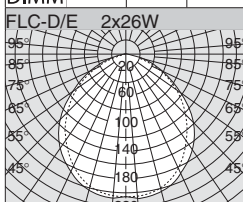
v.a. IP20IK07  
v.l. IP44IK07



Versions in die-cast aluminium with polished plated optics.  
Screw security opening at 1/4 turn.

Euro 4						
		CELL		CELL-E		Lamps (Ta=25°C)
wattage/W	colour	weight	code	weight	code	Kelvin - ølm - Ra
FLC-T/E 2x42	white	2,80	22089315-00	6,20	22089315-09	3000K - 3200 lm - Ra 1b
FLC-T/E 2x42	white	2,80	22089310-00	6,20	22089310-09	4000K - 3200 lm - Ra 1b

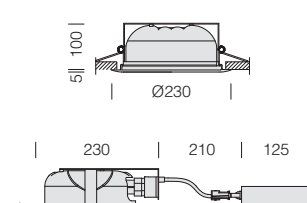


L	Ø210	EL	A2	EM	FLC-D/E...FSQ
A1	DIMM				G24
FLC-D/E 2x26W					
					
20.000 h					

new

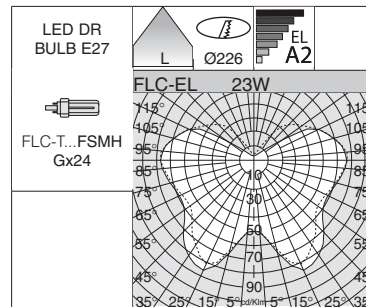
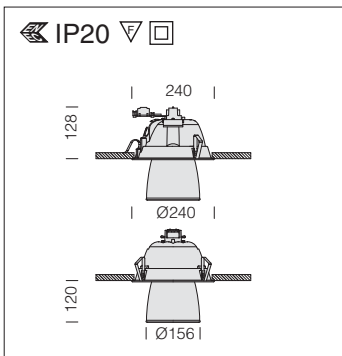


v.a. IP20IK07  
v.l. IP44IK07



**Housing:** in galvanized sheet metal and aluminium alloy.  
**Reflector:** ring with silk-screen printed glass.  
Switches on four times a day, working life: 20,000 hours.  
Quick and simple lamp replacement.

Euro 5 - IP44 - silk-screened glass						
		CELL		CELL-E		Lamps (Ta=25°C)
wattage/W	colour	weight	code	weight	code	Kelvin - ølm - Ra
FLC-D/E 2x26	white	1,20	22089316-00	2,05	22089316-09	4000K - 1800 lm - Ra 1b



**Housing:** V2 self-extinguishing, UV-stabilized, anti-yellowing polycarbonate.

**Diffuser:** Supplied with an opal faceted polycarbonate cone diffuser. With clear coloured ring.

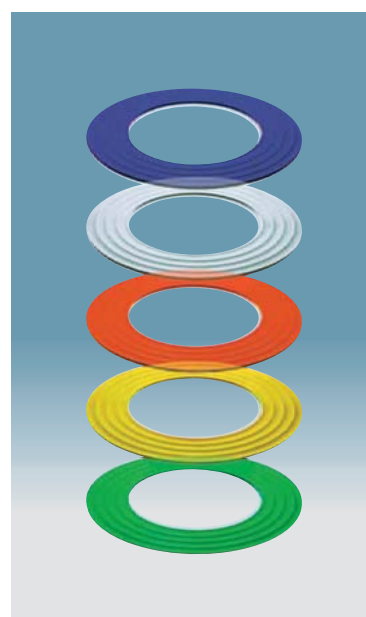
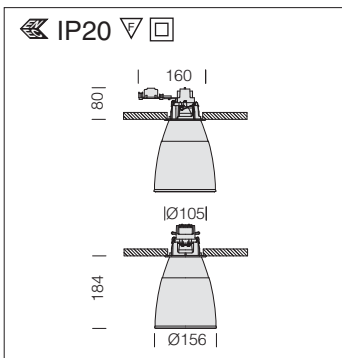
**Argostar 1 - MASTERLED Bulb**

		CLD CELL		Lamps (Ta=25°C)
wattage/W	colour	weight	code	Kelvin - ølm - CRI
MASTERLED Bulb 12W	aluminium	0,60	22171174-00	2700K - 806lm - CRI80

**Argostar 1**

		CELL		Lamps (Ta=25°C)
wattage/W	colour	weight	code	Kelvin - ølm - Ra
FLC-T/E 32	aluminium	1,10	22171172-00	3000K - 2400 lm - Ra 1b

FLC32T/E version with lateral control gear box. Blue coloured ring accessory and opal cone included. Band springs for ceiling panels from 1mm to 20mm thick.



**12W dimmable LED Bulb**

Very well-suited for the general lighting of public and reception spaces, especially lobbies, corridors or stairways, where lights stay on all day.



MASTERLED BULB	ALO
12W	60W
25.000h	1000h

**Argostar 2 - MASTERLED Bulb**

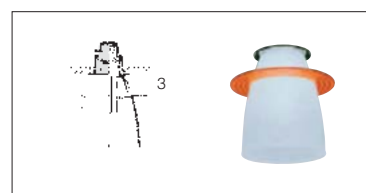
		CLD CELL	
wattage/W	colour	weight	code
MASTERLED Bulb 12W	black	0,50	22171034-00

Standard supply includes cone; coloured ring not included.

**Coloured ring**

white	22091811-00
red	22091822-00
green	22091843-00
yellow	22091854-00
blue	22091885-00

Coloured finishing ring to be fitted to opal cone.





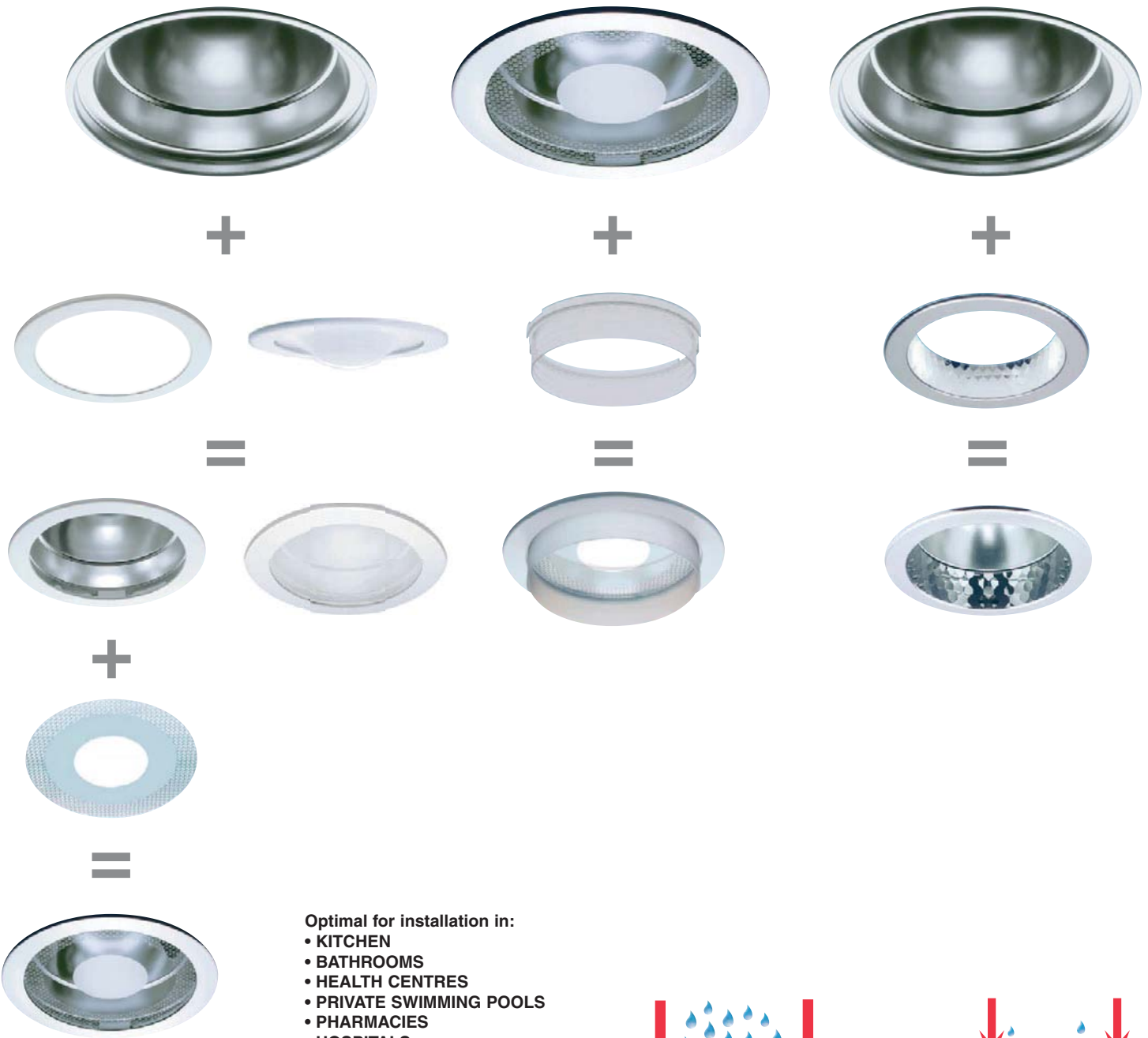
A high degree of technological expertise achieved in designing and manufacturing, combined with an excellent integration between industrial and lighting design, have enabled the creation of a new line of recessed fixtures using compact fluorescent lamps. A family of fixtures designed to combine high energy saving with excellent light quality, to address diverse needs concerning safety (IP44IK07) as well as maintenance.

**Housing/Reflector:** Aluminium, with polished aluminium optical system.

**Electric gear:** 230V-50Hz power supply with heat protection. Hard wire, cross section 0.50 mm<sup>2</sup>, and high-temperature resistant (up to 90°C) PVC-HT sheath, in accordance with CEI 20-20 standards. 2P + T polycarbonate terminal block (maximum allowed lead cross section 2.5 mm<sup>2</sup>).

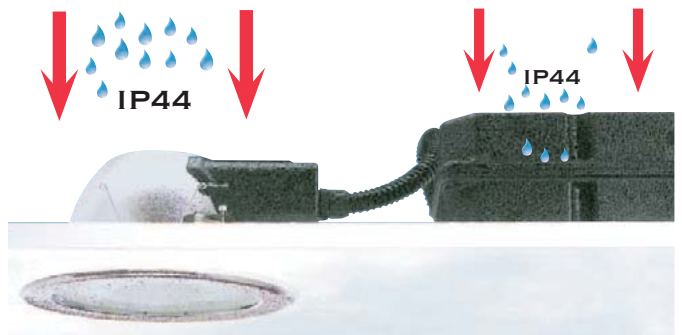
**Equipment:** Watertight standard electric gear box, separated from the lamp compartment for effective heat dissipation. Supplied with galvanised steel adjustable brackets, ensuring perfect adherence to 1 to 37 mm. thick false ceilings.



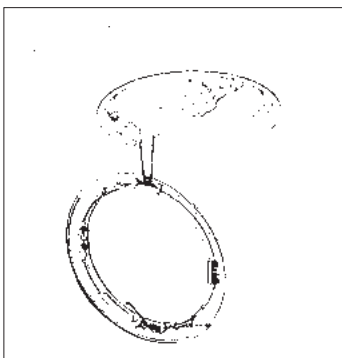


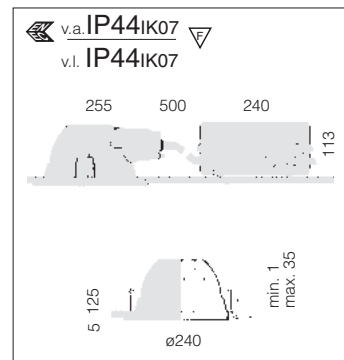
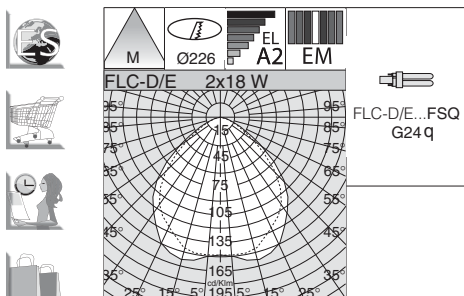
Optimal for installation in:

- KITCHEN
- BATHROOMS
- HEALTH CENTRES
- PRIVATE SWIMMING POOLS
- PHARMACIES
- HOSPITALS
- HEALTH CENTRES



To guarantee fixture safety and operation, the responsible agencies of each country have established specific construction standards to protect end users. Pursuing a quality and safety policy, Disano Group constructs its products in compliance with these CEI EN 60598-1 standards.

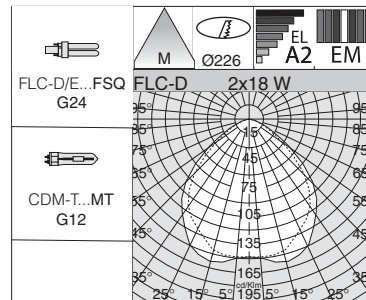
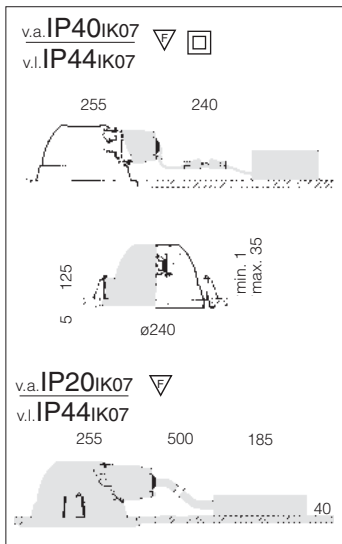




Version supplied with ring and protection glass. FLC1x13D/E version available on request.

Shell 1 - with glass						
		CELL		CELL-E		Lamps (Ta=25°C)
wattage/W	colour	weight	code	weight	code	Kelvin - ølm - Ra
FLC-D/E 1x18	white	2,20	22175073-08	3,30	22175073-09	4000K - 1200 lm - Ra 1b
FLC-D/E 1x18	m. silver	2,20	22175074-08	3,30	22175074-09	4000K - 1200 lm - Ra 1b
FLC-D/E 1x26	white	2,40	22175075-08	3,70	22175075-09	4000K - 1800 lm - Ra 1b
FLC-D/E 1x26	m. silver	2,40	22175076-08	3,70	22175076-09	4000K - 1800 lm - Ra 1b
FLC-D/E 2x18	white	2,60	22175071-08	4,00	22175071-09	4000K - 1200 lm - Ra 1b
FLC-D/E 2x18	m. silver	2,60	22175072-08	4,00	22175072-09	4000K - 1200 lm - Ra 1b
FLC-D/E 2x26	white	2,90	22175078-08			4000K - 1800 lm - Ra 1b
FLC-D/E 2x26	m. silver	2,90	22175079-08			4000K - 1800 lm - Ra 1b

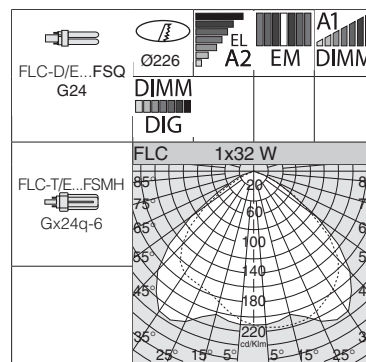
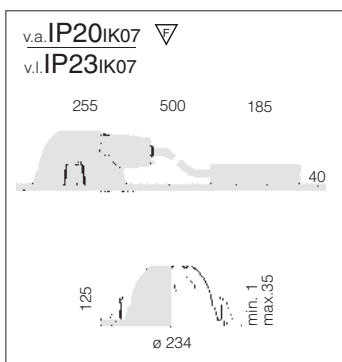




Lamps - base	
FLC D/E:	
13W = G24 q-1	
18W = G24 q-2	
26W = G24 q-3	

Shell 3 - with glass						
wattage/W	colour	CELL		CELL-E		Lamps (Ta=25°C)
		weight	code	weight	code	Kelvin - ølm - Ra
FLC-D/E 2x13	white	1,60	22175091-08	2,50	22175091-09	4000K - 900 lm - Ra 1b
FLC-D/E 2x13	m. silver	1,60	22175092-08	2,50	22175092-09	4000K - 900 lm - Ra 1b
FLC-D/E 2x18	white	1,60	22175093-08	2,70	22175093-09	4000K - 1200 lm - Ra 1b
FLC-D/E 2x18	m. silver	1,60	22175094-08	2,70	22175094-09	4000K - 1200 lm - Ra 1b
FLC-D/E 2x26	white	1,90	22175095-08	3,00	22175095-09	4000K - 1800 lm - Ra 1b
FLC-D/E 2x26	m. silver	1,90	22175096-08	3,00	22175096-09	4000K - 1800 lm - Ra 1b
CDM-T* 70	m. silver	1,60	22175097-08			3000K - 6600 lm - Ra 1b

Version supplied with ring and protection glass. \* Version CDM-T with opal glass.

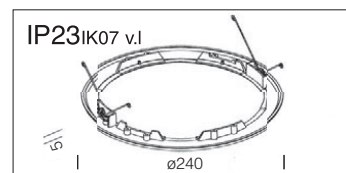


Lamps - base		
FLC D/E:	FLC D:	FLC T/E:
13W=G24 q-1	13W=G24 d-1	32W=
18W=G24 q-2	18W=G24 d-2	Gx24 q-3
26W=G24 q-3	26W=G24 d-3	42W=
		Gx24 q-4

We recommend using the FLC 2x32 version without glass with acc. 22092575-00.

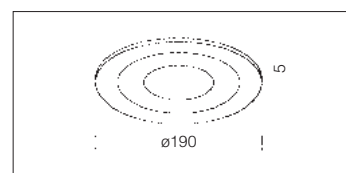
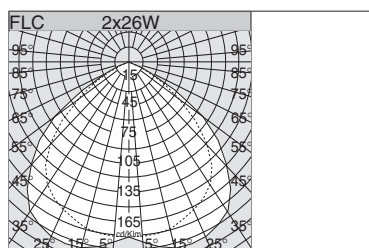
Shell 2						
wattage/W	colour	CELL		CELL-E		Lamps (Ta=25°C)
		weight	code	weight	code	Kelvin - ølm - Ra
FLC-D/E 2x18	aluminium	1,00	22175173-08	2,10	22175173-09	4000K - 1200 lm - Ra 1b
FLC-D/E 2x26	aluminium	1,00	22175174-08	2,10	22175174-09	4000K - 1800 lm - Ra 1b
FLC-T/E 1x32	aluminium	1,00	22175175-00	2,10	22175175-09	4000K - 2400 lm - Ra 1b
FLC-T/E 2x32	aluminium	1,10	22175176-00	2,20	22175176-09	4000K - 2400 lm - Ra 1b
FLC-T/E 1x42	aluminium	1,50	22175177-00	2,60	22175177-09	4000K - 3200 lm - Ra 1b

Shell 2									
wattage/W	colour	CELL-D (1-10V)		CELLD-E (1-10V)		CELLD-DIG (dali)		CELLD-DIG-E (dali)	
		weight	code	weight	code	weight	code	weight	code
FLC-D/E 2x26	aluminium	1,60	22175174-12	2,60	22175174-94	1,60	22175174-1241	2,60	22175174-9441



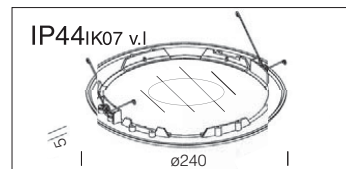
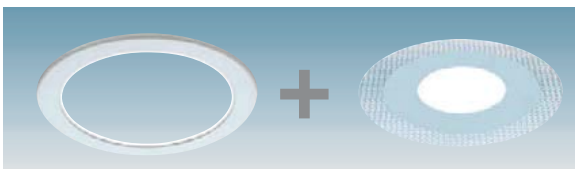
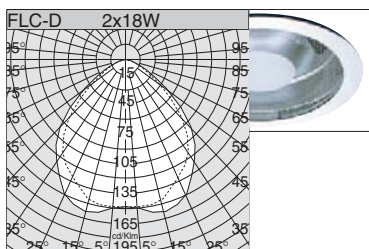
Finishing ring	
white	22092510-00
m. silver	22092561-00
gold	22092582-00
black	22092530-00

To be applied on art. Shell 2.



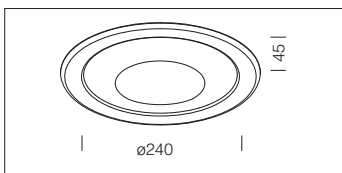
Glass	
sandblasted	22092517-00
silk-screened	22092514-00

For versions with finishing ring. It is not applied with code 22092575-00.



Finishing ring + glass	
white	22092511-00
m. silver	22092562-00
black	22092531-00
gold	22092584-00

Ring with silk-screen printed glass to be applied on art. Shell 2



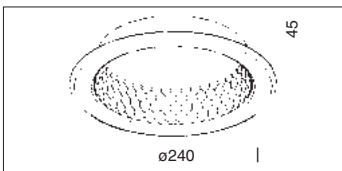
Only 2x18 e 2x26W version.



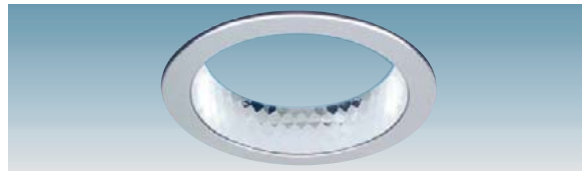
Finishing ring + convex screen	
white	22092515-00
silver	22092576-00



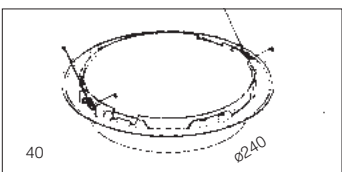
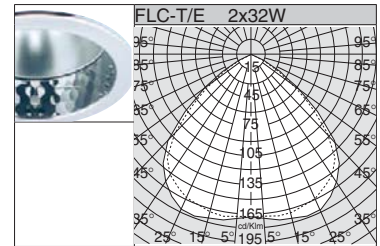
v.l. IP23



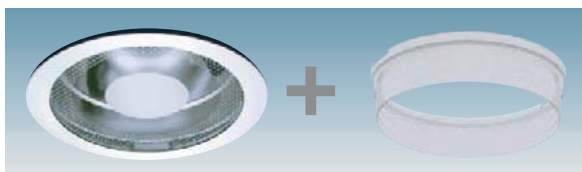
In metallic polycarbonate with prismatic faceting for greater light control to be applied on art. Shell 2



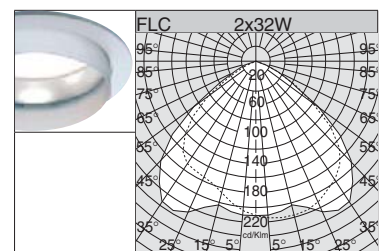
Prismatic ring	
metallized	22092575-00



Accessory with ring+glass+opal skirt to be applied to Shell 2.



Ring+glass+skirt	
white	22092512-00
m. silver	22092563-00



v.l. IP44



Coloured skirt to be applied to ring + glass or ring only accessory.

Skirt	
white	22092513-00
red	22092524-00
green	22092546-00
yellow	22092555-00
blue	22092583-00



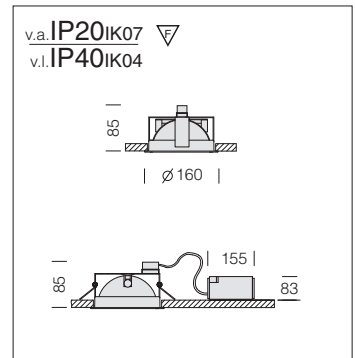
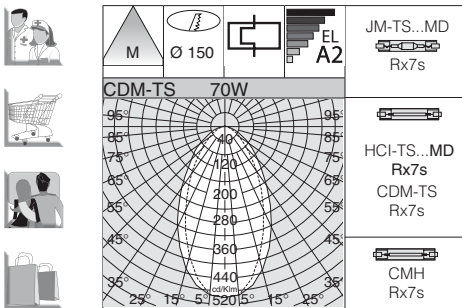


Recessed floodlight. A choice of different luminous sources makes it versatile and ideal for installation in any exhibition environment.

**Housing:** made of die-cast aluminium.

**Diffuser:** Anti-glare silk-screen printed tempered glass protection shield.

**Coating:** Powder-coated with a UV-resistant polyester epoxy paint.



**Reflector:** High-efficiency polished anodised aluminium.

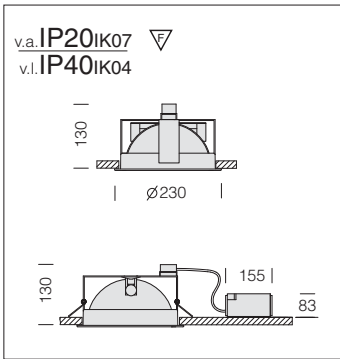


**Excellence Lamps:**

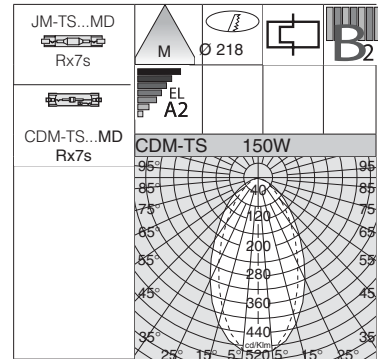
- High efficiency
- Uniform distribution of light
- High luminous flux
- Excellent colour rendering

Metis 1				
		CELL		Lamps (Ta=25°C)
wattage/W	colour	weight	code	Kelvin - ølm - Ra
JM-TS 70 EXC	white	0e,80	22187510-08	3000K - 6200 lm - Ra 1b
CDM-TS 70	white	0,80	22187510-0885	3000K - 6500 lm - Ra 1b
CMH-TS 35	white	0,80	22187513-00	3000K - 3400 lm - Ra 82

Next-generation GE ceramic lamp to reduce overall power consumption.

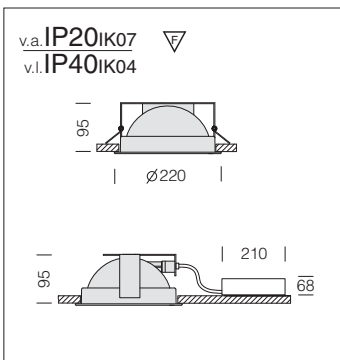


**Reflector:** High-efficiency polished anodised aluminium.



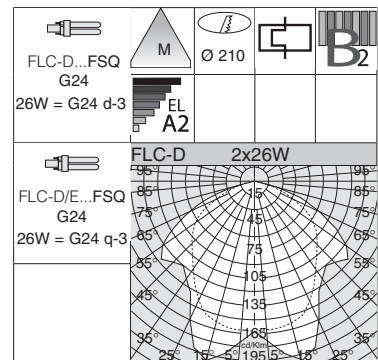
Metis 2					
		CNRL		Lamps (Ta=25°C)	
wattage/W	colour	weight	code	Kelvin - ølm - Ra	
JM-TS 150 EXC	white	1,40	22187511-00	3000K - 12000 lm - Ra 75	
Complete with electronic gear box and lamp.					

Metis 2					
		CELL		Lamps (Ta=25°C)	
wattage/W	colour	weight	code	Kelvin - ølm - Ra	
CDM-TS 150	white	1,40	22187511-0885	3000K - 13250 lm - Ra 88	
Complete with electronic gear box and lamp.					



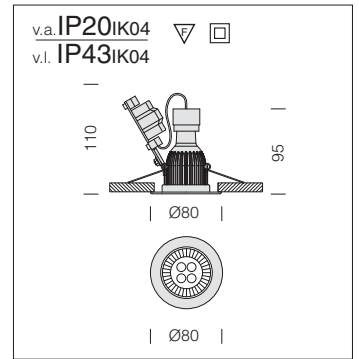
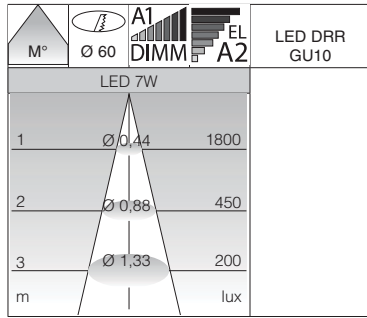
**Reflector:** High-efficiency polished anodised aluminium.

Silver version on request.



Metis 3 - 3000K							
		CNRL		CELL		Lamps (Ta=25°C)	
wattage/W	colour	weight	code	weight	code	Kelvin - ølm - Ra	
FLC-D 2x26	white	2,10	22187412-00			3000K - 1800 lm - Ra 1b	
FLC-D/E 2x26	white			1,10	22187412-08	3000K - 1800 lm - Ra 1b	
Complete with electric gear box and energy saving lamp.							

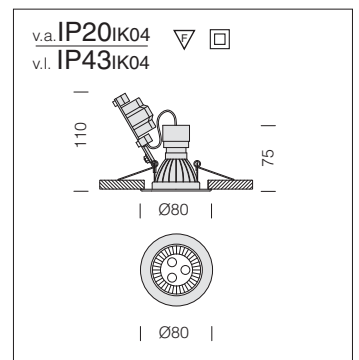
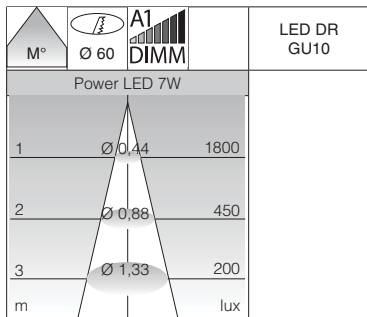
Metis 3 - 4000K							
		CNRL		CELL		Lamps (Ta=25°C)	
wattage/W	colour	weight	code	weight	code	Kelvin - ølm - Ra	
FLC-D 2x26	white	2,10	22187411-00			4000K - 1800 lm - Ra 1b	
FLC-D/E 2x26	white			1,10	22187411-08	4000K - 1800 lm - Ra 1b	
Complete with electric gear box and energy saving lamp. On request 2x13 and 2x18 versions. Electronic version is supplied with double insulation.							



**LED:** mains voltage operation 220/240V 50-60Hz. GU10 connection, ideal for transit areas

**Deimos - DIMM LED 7W - 220-240V - Home**

wattage/W	colour	CLD CELL-D		W tot.	LED (Ta=25°C)
		weight	code		Kelvin - ølm - degrees
LED 7W	white	0,20	22064010-00	8	3000K - 450lm - 30°
LED 7W	m. silver	0,20	22064077-00		
LED 7W	black	0,20	22064035-00		
LED 7W	chrome	0,20	22064063-00		
LED 7W	brass	0,20	22064092-00		

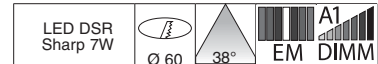
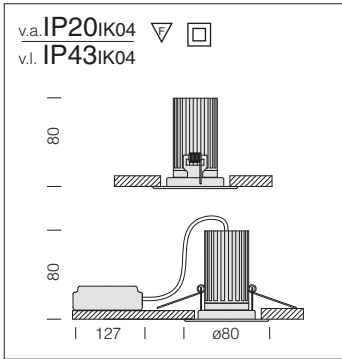


**Deimos - DIMM**

wattage/W	colour	CLD CELL-D		W tot.	LED (Ta=25°C)
		weight	code		Kelvin - ølm - degrees
Power LED 7W	white	0,20	22066214-00	7	3000K - 450lm - 25°
Power LED 7W	m. silver	0,20	22066274-00		
Power LED 7W	black	0,20	22066234-00		
Power LED 7W	chrome	0,20	22066264-00		
Power LED 7W	brass	0,20	22066284-00		

**Deimos - DIMM**

wattage/W	colour	CLD CELL-D		W tot.	LED (Ta=25°C)
		weight	code		Kelvin - ølm - degrees
Power LED 7W	white	0,20	22066215-00	7	3000K - 450lm - 40°
Power LED 7W	m. silver	0,20	22066275-00		
Power LED 7W	black	0,20	22066235-00		
Power LED 7W	chrome	0,20	22066265-00		
Power LED 7W	brass	0,20	22066285-00		

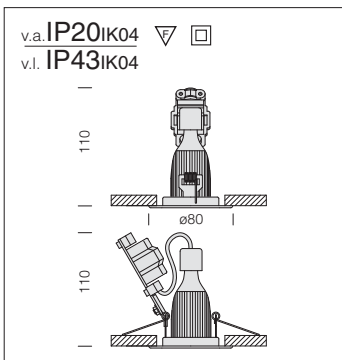


**Main characteristics LED 7W**

- High light output
- More than 50,000 hours service life
- Lower lamp wattages means greater economy, more than 80% saving
- Compatible with the most common dimming devices (for example, with halogen lights)
- Fully assembled and ready to be installed
- 7W LED, SHARP chip

**Deimos - LED Sharp 7W - DIMM - Performance**

wattage (660mA)/W	colour	CLD CELL-D		CLD CELL-D-E	W tot.	LED	
		weight	code	code		Kelvin - ølm (660mA) - CRI - gradi	
LED Sharp 7W	white	0,20	22066210-00	22066210-09	11	3000K - 700lm - CRI>80 - 38°	
LED Sharp 7W	m. silver	0,20	22066270-00	22066270-09			
LED Sharp 7W	black	0,20	22066230-00	22066230-09			
LED Sharp 7W	chrome	0,20	22066260-00	22066260-09			
LED Sharp 7W	brass	0,20	22066290-00	22066290-09			



**Deimos - LED Sharp - Home**

wattage/W	colour	CLD CELL-D		W tot.	LED	CLD CELL-D	LED
		weight	code			code	Kelvin - lm - degrees
LED Sharp 7W	white	0,20	22066211-00	8	3000K - 480lm - CRI>80 - 38°	22064019-00	2750K - 450lm - CRI>80 - 38°
LED Sharp 7W	m. silver	0,20	22066271-00			22064076-00	
LED Sharp 7W	black	0,20	22066231-00				
LED Sharp 7W	chrome	0,20	22066261-00				
LED Sharp 7W	brass	0,20	22066291-00				



**Connections and accessories**

High efficiency d.c. POWER generator, with reduced weight and size. 350mA is the direct current output of high-POWER LEDs, according to the type of use.

Professional three-channel LED RGB colour control module, separate dimmable function available for each channel with IR remote control. Three colour changing programmes can be selected using a special button. The colour/programme selected is stored in the memory when the luminaire is switched off, also in case of a POWER cut. Loading of the colour changing programme. ON/OFF button, also operates with a synchronized MASTER and SLAVE system.

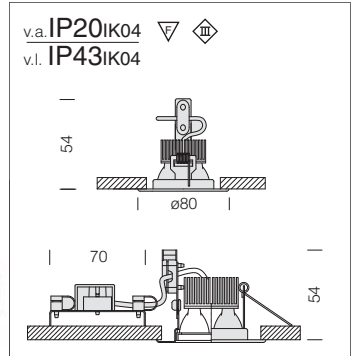
**POWER led triple lens RGB:**

Round LED module consisting of LED lights with in-built lens.

The purity of the light emitted is the main feature of these LED lights; particularly suitable for detail-enhancing and decorative lighting and for the creation of luminous colour effects.

LED with three built-in lenses and three LED lights, 4W, 350mA (red, green, blue).

All three LED lights emit white light when switched on together. Different colours can be obtained by regulating the POWER supply of each single LED. Working temperature: -30°C to 50°C.



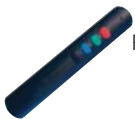
**Deimos FULLCOLOR POWER LED RGB**

wattage/W	colour	CLD S+L		W tot.	LED (Ta=25°C)
		weight	code		ø1m - Degrees
LED RGB 3x3,2W	white	0,20	22063916-00	9,6	R 84 - G 144 - B 36 - 40°
LED RGB 3x3,2W	black	0,20	22063932-00		
LED RGB 3x3,2W	m. silver	0,20	22063973-00		
LED RGB 3x3,2W	chrome	0,20	22063964-00		
LED RGB 3x3,2W	brass	0,20	22063992-00		

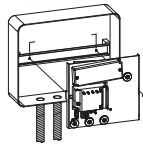
Use Master code 22090870-00, to POWER up to 3 FULLCOLOR RGB.  
To supply other 3 FULLCOLOR RGB in sync with MASTER, acquire SLAVE cod 22090871-00.  
Remote control code 22099020-00 is supplied separately.  
Possibility of DMX System CODE 22092051-00.

**KIT1 CODE 22090872-00**

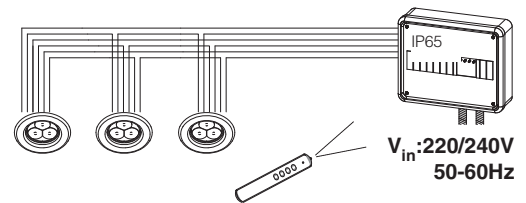
1 Master, IRE Receiver and a terminal block for the network connection



REMOTE CONTROL (cod. 22099020-00)

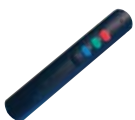


Supplied with 1 pre-wired plate to be inserted in the IP65 box to power 3 LED RGB lights in sync (ex. art. M45). The IRE remote control purchased separately (code 22099020-00).

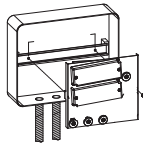


**KIT2 COD. 22090873-00**

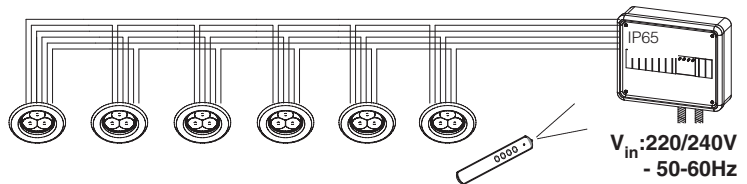
1 Master, IR Receiver terminal block for the network connection



REMOTE CONTROL (cod. 22099020-00)



Supplied with 1 pre-wired plate to be inserted in the IP65 box to power 6 LED RGB lights in sync (ex. art. M45). The IRE remote control purchased separately (code. 22099020-00).

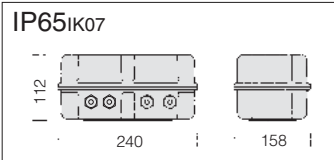


**DMX**

**KIT 3 bis - Waterproof gear box with LED RGB power supply and DMX interface**

wattage/W	colour	code
60	black	22092051-00

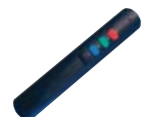
IP65 box with 48V 60W power supply for RGB Power LED - max 12 LEDs. Supplied with electronic card and controller / DMX interface, four cable glands, 9/12 mm diameter.  
After acc. 22092051-00 n. 20, use acc. code 22092052-00.



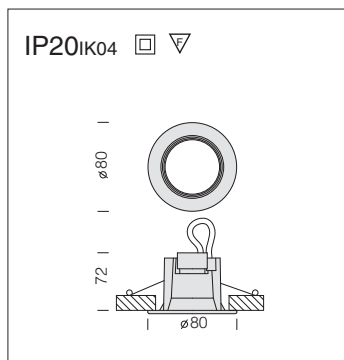
**REMOTE CONTROL code Fosnova**

22099020-00

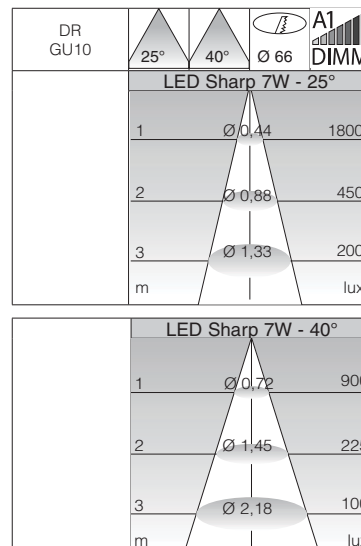
For on/off switching and to regulate colour change programs.







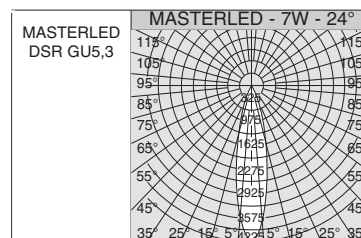
**Housing:** Die-cast zamak.  
**Equipment:** With springs for false ceilings (max. 20mm).



LED

new

Sirio - POWER LED 7W - Home					
		CLD CELL-D		W tot.	LED (Ta=25°C)
wattage/W	colour	weight	code		Kelvin - cd - degrees
LED 7W	white	0,20	22066112-00	7	3000K - 450lm - 25°
LED 7W	arg. met.	0,20	22066172-00		
LED 7W	black	0,20	22066132-00		
LED 7W	chrome	0,20	22066162-00		
LED 7W	gold	0,20	22066182-00		
LED 7W	brass	0,20	22066192-00	7	3000K - 450lm - 40°
LED 7W	white	0,20	22066114-00		
LED 7W	arg. met.	0,20	22066174-00		
LED 7W	black	0,20	22066134-00		
LED 7W	chrome	0,20	22066164-00		
LED 7W	gold	0,20	22066184-00		
LED 7W	brass	0,20	22066194-00		



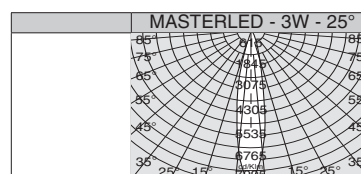
Sirio - LED - Professional - DIMM					
		CLD S+L		W tot.	LED (Ta=25°C)
wattage/W	colour	weight	code		Kelvin - cd - degrees
MASTERLED 7W	white	0,50	22063417-00	7	2700 K - 1450 cd - 24°
MASTERLED 7W	black	0,50	22063437-00		
MASTERLED 7W	arg. met	0,50	22063477-00		
MASTERLED 7W	chrome	0,50	22063467-00		
MASTERLED 7W	brass	0,50	22063497-00		
MASTERLED 10W	white	0,50	22063418-00	10	3000 K - 1920 cd - 24°
MASTERLED 10W	black	0,50	22063438-00		
MASTERLED 10W	arg. met	0,50	22063478-00		
MASTERLED 10W	chrome	0,50	22063468-00		
MASTERLED 10W	brass	0,50	22063498-00		

Read the chapter on power supply units for MASTERLED



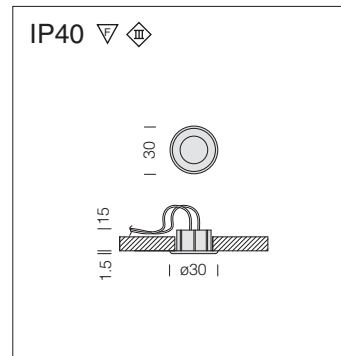
**MASTERLED:** Dimmable, particularly suited for public spaces such as reception halls, entrance lobbies, corridors, stairways and bathrooms where lights stay on all day, 40,000 hours of lifespan, and 80% energy saving compared to ALO 35W.

Sirio - MASTERLED - Home					
		CLD CELL		W tot.	LED (Ta=25°C)
wattage/W	colour	weight	code		Kelvin - cd - degrees
LED 3W	white	0,20	22063413-00	3	3000K - 850cd - 25°
LED 3W	black	0,20	22063431-00		
LED 3W	m. silver	0,20	22063472-00		
LED 3W	chrome	0,20	22063465-00		
LED 3W	brass	0,20	22063496-00		





	Ø 25
--	------

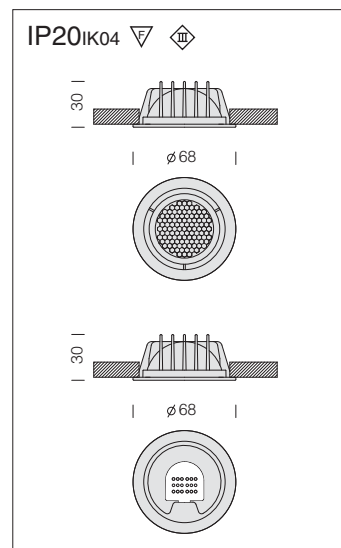


Step - LED 3600K - Home					
		CLD S+L			LED (Ta=25°C)
wattage/W (350mA)	colour	weight	code	W tot.	K - ølm - CRI
LED white 1W	transparent	0,03	22067010-00	1	3600K - 80lm - Ra 80

Pressure-mounted without the use of springs. To be purchase power supply (350mA) separately



	60			
--	----	--	--	--

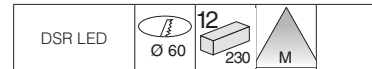
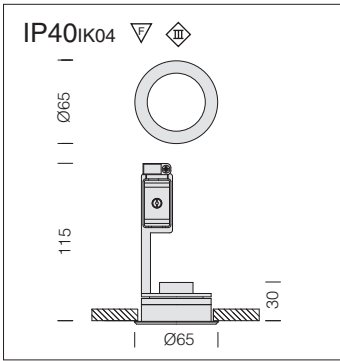


Code	TENSION	VERSION
22092022-00	240V/ 24V 70W	Marte 2/3

Marte - WHITE LED and glass (Fig. 1)					
		CLD S+L			
wattage/W	colour	weight	code		
LED 1,2W	white	0,10	22061815-00		
LED 1,2W	black	0,10	22061805-00		



Marte 3 - LED 24V (Fig. 2)					
		CLD S+L			
wattage/W	colour	weight	code		
Signal LED	white	0,10	22061816-00		
Signal LED	black	0,10	22061806-00		

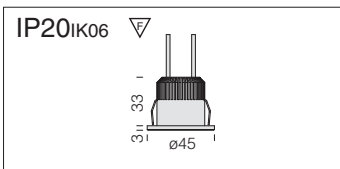


**Lift 1:** electronic ballast, 12V dc to be purchased separately, code 22090838-00, 20W. NO: electronic ballasts AC HF.

Lift 1 - LED - Home					
		CLD S+L			LED (Ta=25°C)
wattage/W (12V)	colour	weight	code	W tot.	Kelvin - ølm 12V
LED white 3x1,1W	white	0,20	22060010-00	3,3	4000K - 300 lm
LED white 3x1,1W	black	0,20	22060031-00	3,3	4000K - 300 lm
LED white 3x1,1W	m. silver	0,20	22060072-00	3,3	4000K - 300 lm

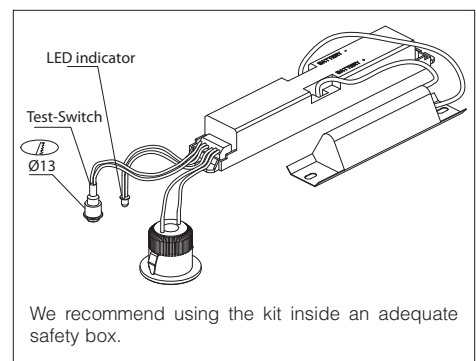
Lift 2 - LED - Home					
		CLD S+L			LED (Ta=25°C)
wattage/W (12V)	colour	weight	code	W tot.	Kelvin - ølm 12V
LED white 6x0,5 W	white	0,20	22060015-00	3	4000K - 126 lm
LED white 6x0,5W	black	0,20	22060035-00	3	4000K - 126 lm
LED white 6x0,5W	m. silver	0,20	22060075-00	3	4000K - 126 lm
LED white 6x0,5W	chrome	0,20	22060065-00	3	4000K - 126 lm

12V DC. NO: electronic ballasts AC HF.



Two-colour LED indicator	
<b>GREEN</b>	
Solid light	standard mode
flashing	Test mode
<b>RED (Assistance)</b>	
1 flash, 4 sec. pause	Battery not connected
2 flash, 4 sec. pause	Low battery
3 flash, 4 sec. pause	Battery charger broken
4 flash, 4 sec. pause	Transformer broken

KIT Lift EM					
		CLD S+L			LED (Ta=25°C)
wattage/W	colour	weight	code	3 heures	Kelvin - ølm
LED white 3W	m. silver	0,50	22060014-09		4000K - 143lm





**Housing:** turned aluminium.

Possibility of choice of beam lens angle (10° - 40°).

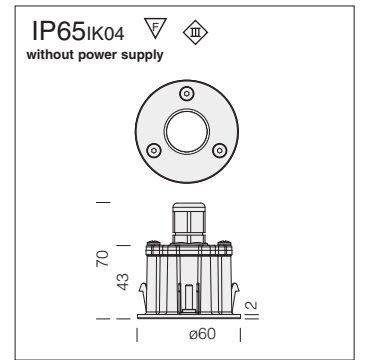
Standard supply: brackets for installation on plasterboard 10mm thick.



**IP66 on request:** M60 with clear polycarbonate.



**LED**



M60 - LED - Home					
		CLD S+L		W tot.	LED (Ta=25°C)
wattage W (350mA)	colour	weight	code	1,2	K - ølm (350mA) - degrees
<b>LED white 1x1,2W</b>	white	0,20	22061511-00		6000 K - 100 lm - 24°
<b>LED white 1x1,2W</b>	s. silver	0,20	22061570-00		
<b>LED white 1x1,2W</b>	chrome	0,20	22061562-00		
Electronic power supply is to be bought separately dc 350mA cod 22090832-00 to supply up to max 3 spotlights; or utilize power supply cod 22090837-00 to supply max 12 spotlights.					
M60 - LED Professional					
		CLD S+L		W tot.	LED (Ta=25°C)
wattage W (700mA)	colour	weight	code	2,6	K - ølm (700mA) - degrees
<b>LED white 1x2,6W</b>	white	0,20	22061512-00		6000 K - 170 lm - 24°
<b>LED white 1x2,6W</b>	s. silver	0,20	22061571-00		
<b>LED white 1x2,6W</b>	chrome	0,20	22061563-00		
Electronic power supply is to be bought separately dc 700mA cod 22090835-00, to be inserted in IP65 box to supply up to max 3 spotlights.					

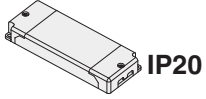
## POWER LED CONNECTIONS

**CODE 22090832-00**  
**- 350mA - 4W**

Power supply LED 1x1,2W  
 (to be inserted in IP65 box)

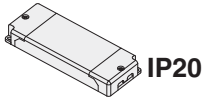
**CODE 22090837-00**  
**Ballast - 350mA - 17W**

Power supply LED 1x1,2W  
 (to be inserted in IP65 box)



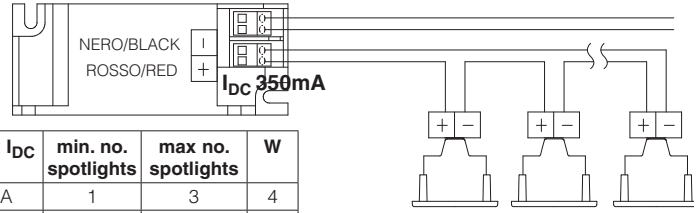
**CODE 22090835-00**  
**- 700mA - 9W**

Power supply LED 1x2,6W  
 (to be inserted in IP65 box)



Acquire separately a power supply dc 350mA cod 22090832-00 to be inserted in IP65 box to supply up to max 3 spotlights; or utilize power supply cod 22090837-00 to supply max 12 spotlights.

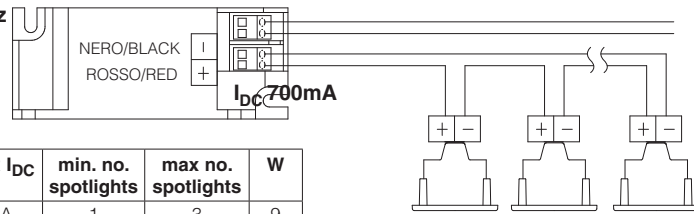
$V_{in}$ : 220-240V 50/60Hz



CODE	VOLTAGE	POWER I <sub>DC</sub>	min. no. spotlights	max. no. spotlights	W
22090832-00	220-240V 50/60Hz	350mA	1	3	4
22090837-00	220-240V 50/60Hz	350mA	1	12	15

Acquire separately a power supply dc 700mA cod 22090835-00 to be inserted in IP65 box to supply up to max 3 spotlights.

$V_{in}$ : 220-240V 50/60Hz



CODE	VOLTAGE	POWER I <sub>DC</sub>	min. no. spotlights	max. no. spotlights	W
22090835-00	220-240V 50/60Hz	700mA	1	3	9

## IP65 CONNECTIONS

**CODE 22090832-00**  
**- 350mA - 4W**

Power supply LED 1x1,2W  
 (to be inserted in IP65 box)

**CODE 22090837-00**  
**- 350mA - 17W**

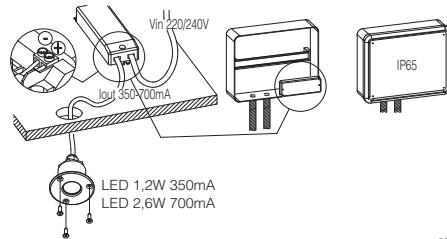
Power supply LED 1x1,2W  
 (to be inserted in IP65 box)

**CODE 22090835-00**  
**- 700mA - 10W**

Power supply LED 1x2,6W  
 (to be inserted in IP65 box)

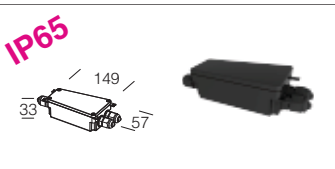
### IP65 CONNECTION

To realize M60 connection with LED monochromatic 1,1W-350mA/3W-700mA it's necessary to insert LED power supply (CODE 22090832/90837/90835-00). In a IP65 box as indicated in the figure.

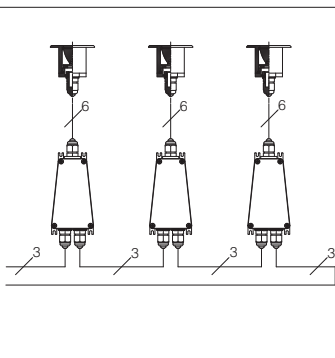


IP66

## POWER LED CONNECTIONS



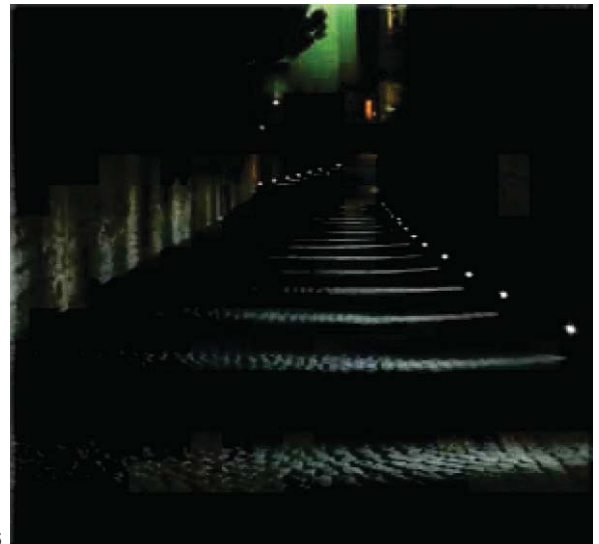
Using acc. 22092031-00 it's possible to perform an electric connection IP65 in parallel to M60 1x1,2W -350mA with monochromatic LED, inserting POWER LED supply inside the derivating box.



Using acc. 22092033-00 it's possible to perform an electric connection IP65 in parallel to M60 1x3W -700mA with monochromatic LED, inserting POWER LED supply inside the derivating box.

Gear box IP65 x M60	
LED 1W-350m	22092031-00
LED 3W-700mA	22092033-00

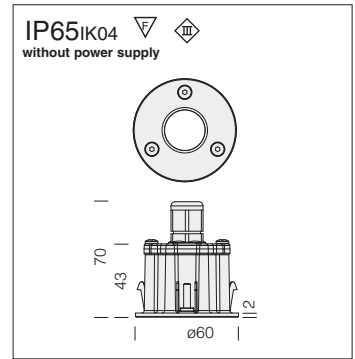
Complete with series with 3 cable gland IP65 for wire with section Max. 7mm and LED power supply. Allows electrical monochromatic M60.



IP65



25°	Ø 55	plasterb.	Ø 60	masonry
-----	------	-----------	------	---------



**Housing:** turned aluminium.

**Electric gear:** Separate 350/700mA dc ballast; RGB version can be used with a MASTER and SLAVE control module

**Equipment:** Standard version supplied complete with self-tapping screws for installation on wooden, plasterboard or sheet metal panels; 1m outer wire fitted.

M60 - LED FULLCOLOR RGB - Professional					
			CLD S+L		LED (Ta=25°C)
wattage W (350mA)	colour	weight	code		øIm 350mA
LED RGB 3,2W	white	0,20	22061516-00		R 30 - G 40 - B 9
LED RGB 3,2W	m. silver	0,20	22061575-00		
LED RGB 3,2W	chrome	0,20	22061566-00		
					degrees
25°					

Use power supply code 22090870-00, to power up to 9 RGB spotlights

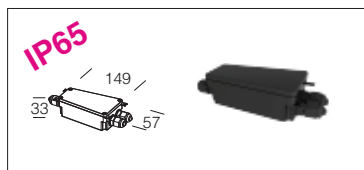
To supply other 9 spotlights RGB in sync with MASTER, acquire SLAVE cod 22090871-00

In case of installation in a control board, the following are supplied separately:

- KIT1, code 22090872-00, powers up to 5 spotlights in synchronised mode

- KIT2, code 22090873-00, powers up to 10 spotlights in synchronised mode

For 22090870/71 and KIT1-2 Remote control code 22099020-00 is supplied separately.



Gear box IP65 for M60	
LED 3,2W RGB	22092034-00
Complete with series with terminal block of 6 poles for connections IP65 for wire with section Max. 7mm Allows electrical connection in series of M60 RGB.	

For **DMX CONNECTIONS** see chapter **Technical Componts**:

**Waterproof gear box 20W KIT 3**  
code 22092053-00

**Waterproof gear box 60W KIT 3**  
bis code 22092051-00

**Amplifier / DMX signal modulator**  
code 22092052-00

**SOFTWARE DMX**  
code 22090863-00

**FULLCOLOR CONNECTIONS RGB**

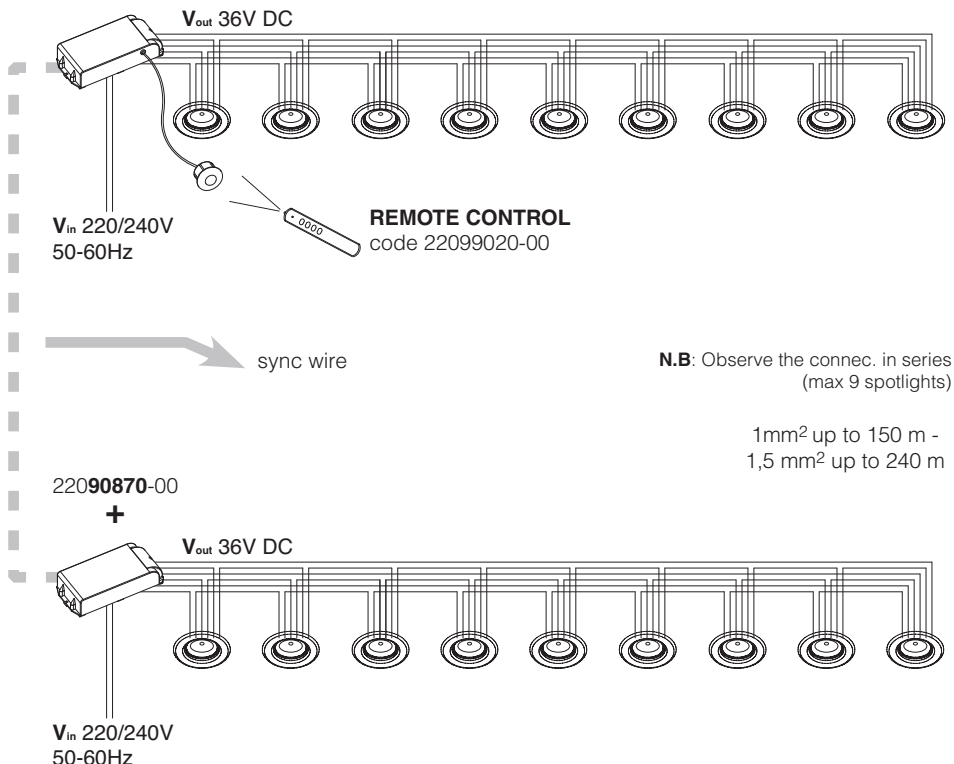
**BASE SYSTEM**  
**CODE 22090870-00**  
Master + IR Receiver

Three-channel professional colour control module for LED RGB. Dimmable option supplied separately with IR remote control (code 22099020-00). To power up to 9 RGB M60 spotlights.

**CODE 22090871-00**  
Slave

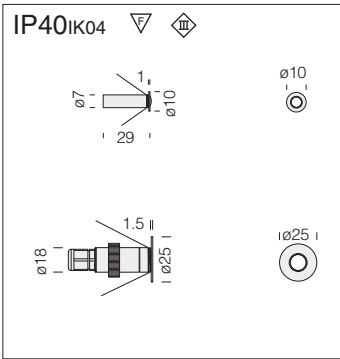
A SLAVE be purchased to use 9 more spotlights in sync with the MASTER, up to 9 spotlights (code 22090871-00). Can be operated using 1 MASTER and 99 SLAVES.

CODE
22090870-00
22090871-00

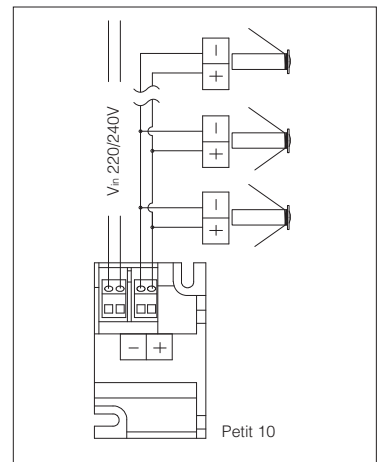
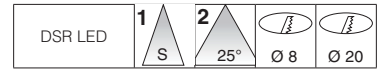
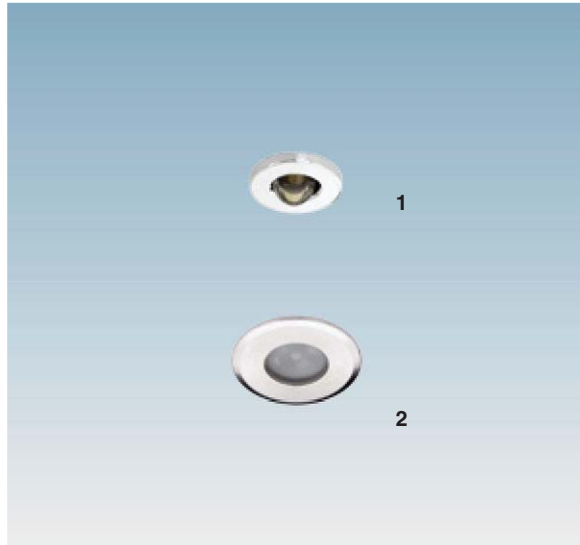


**N.B:** Observe the connec. in series (max 9 spotlights)

1mm<sup>2</sup> up to 150 m -  
1,5 mm<sup>2</sup> up to 240 m

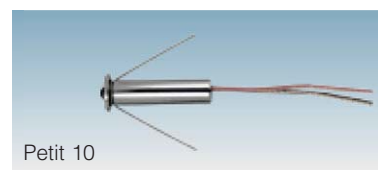


**Housing:** made in aluminium. Not walkable.



Petit 10 24V (1)				
		CLD S+L		LED (Ta=25°C)
wattage/W	colour	weight	code	Kelvin - CRI
<b>LED 0,50W</b>	chrome	0,20	220 <b>66461</b> -00	6000K - CRI 80

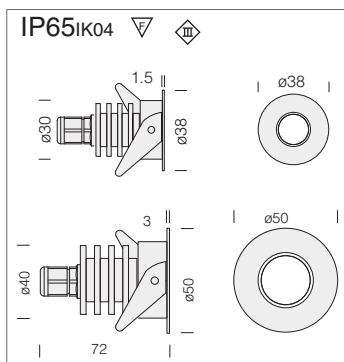
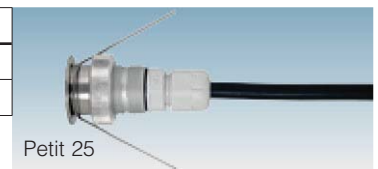
Power supply not included. Buy separately code 22090893-00



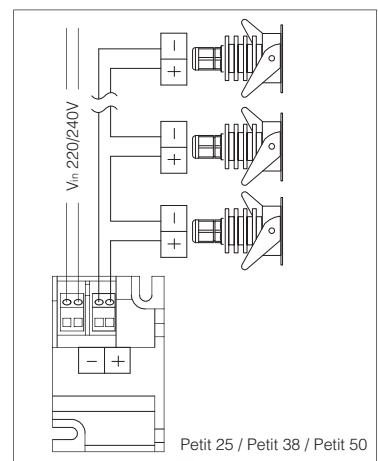
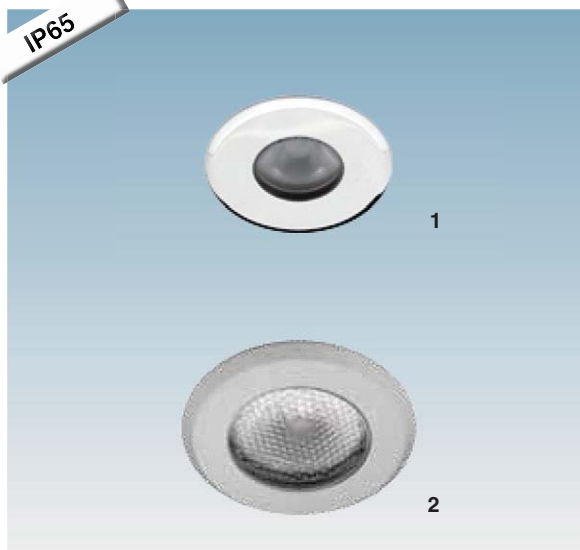
Petit 25 (2)				
		CLD S+L		LED (Ta=25°C)
wattage/W (350mA)	colour	weight	code	Kelvin - ølm 350mA - CRI
<b>LED 1,2W</b>	chrome	0,20	220 <b>66462</b> -00	3500K -100lm - CRI 80

Power supply not included.

	500mA
<b>W tot</b>	<b>2W</b>
ølm	155lm



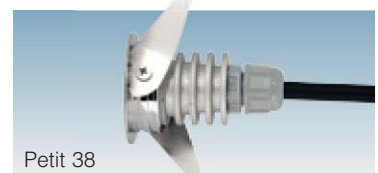
**Housing:** made in aluminium.  
For use instead on vertical surfaces to illuminate the steps.



Petit 38 (1)				
		CLD S+L		LED (Ta=25°C)
wattage/W (350mA)	colour	weight	code	Kelvin - ølm 350mA - CRI
<b>LED 1,2W</b>	chrome	0,39	220 <b>66463</b> -00	4000K - 100lm - CRI 80

Power supply not included.

	350mA	500mA
<b>W tot</b>	<b>1,2W</b>	<b>2W</b>
ølm	100lm	155lm



Petit 50 (2)				
		CLD S+L		LED (Ta=25°C)
wattage/W (350mA)	colour	weight	code	Kelvin - ølm 350mA - CRI
<b>LED 1,2W</b>	m. silver	0,45	220 <b>66475</b> -00	3000K - 97lm - CRI 80

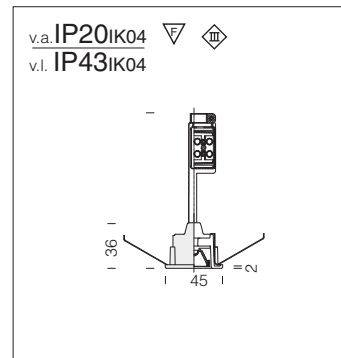
Power supply not included.

	500mA	700mA
<b>W tot</b>	<b>1,8W</b>	<b>2,4W</b>
ølm	126lm	155lm





			DSR LED
--	--	--	---------



**Housing:** in die-cast zamak.  
Available upon request, warm white LED version, 3200K.  
Option to choose the beam aperture (10° - 40°)

M45 - LED Home					
		CLD S+L		LED (Ta=25°C)	
wattage/W (350mA)	colour	weight	code	W tot.	Kelvin - ølm (350mA) - degrees
LED white 1x1,2W	white	0,10	22062613-00	1,2	6000K - 100 lm - 24°
LED white 1x1,2W	m. silver	0,10	22062672-00		
LED white 1x1,2W	chrome	0,10	22062664-00		

Ballast dc 350mA cod 22090832-00 to be purchased separately to power up to 3 spotlights.  
Ballast code 22090837-00 to be purchased separately to power up to 12 spotlights.

M45 - LED Professional					
		CLD S+L		LED (Ta=25°C)	
wattage/W (700mA)	colour	weight	code	W tot.	Kelvin - ølm (700mA) - degrees
LED white 1x2,6W	white	0,10	22062612-00	2,6	6000K - 170 lm - 24°
LED white 1x2,6W	m. silver	0,10	22062673-00		
LED white 1x2,6W	chrome	0,10	22062665-00		

Available upon request, warm white LED light, 3200K.  
Ballast dc 700mA code 22090835-00 to be purchased separately to power up to 3 spotlights.

**POWER LED CONNECTIONS 350mA**

**CODE 22090832-00**  
**- 350mA - 4W**  
Power supply LED 1x1,2W  
(to be inserted in IP65 box)

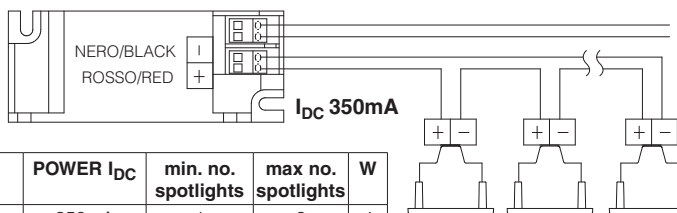


**CODE 22090837-00**  
**- 350mA - 17W**  
Power supply LED 1x1,2W  
(to be inserted in IP65 box)



Acquire separately a power supply dc 350mA cod 22090832-00 to be inserted in IP65 box to supply up to max 3 spotlights; or utilize power supply cod 22090837-00 to supply max 12 spotlights.

V<sub>in</sub>: 220-240V 50/60Hz



CODE	VOLTAGE	POWER I <sub>DC</sub>	min. no. spotlights	max. no. spotlights	W
22090832-00	220-240V 50/60Hz	350mA	1	3	4
22090837-12	<b>DIMMABLE 1-10V</b>	350mA	1	12	15
22090837-00	220-240V 50/60Hz	350mA	1	12	15

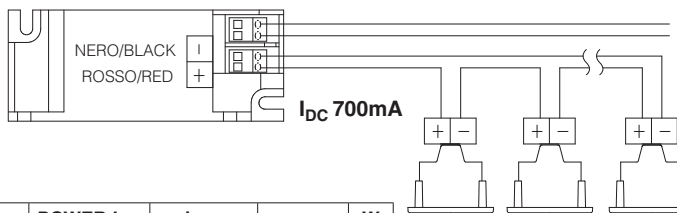
**POWER LED CONNECTIONS 700mA**

**CODE 22090835-00**  
**- 700mA - 9W**  
Power supply LED 1x2,6W  
(to be inserted in IP65 box)



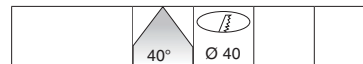
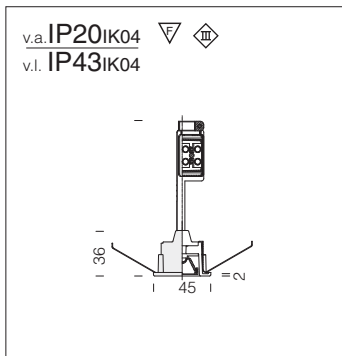
Acquire separately a power supply dc 700mA cod 22090835-00 to be inserted in IP65 box to supply up to max 3 spotlights.

V<sub>in</sub>: 220-240V 50/60Hz



CODE	VOLTAGE	POWER I <sub>DC</sub>	min. no. spotlights	max. no. spotlights	W
22090835-00	220-240V 50/60Hz	700mA	1	3	9
22090834-00	<b>DIMMABLE 1-10V</b>	700mA	1	6	18





Use power supply code 22090870-00, to power up to 9 RGB spotlights. To supply other 9 spotlights RGB in sync with MASTER, acquire SLAVE code 22090871-00.

In case of installation in a control board, the following are supplied separately:

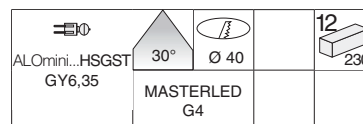
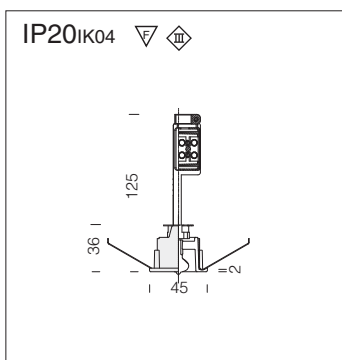
- KIT1, code 22090872-00, powers up to 5 spotlights in synchronised mode;
- KIT2, code 22090873-00, powers up to 10 spotlights in synchronised mode.

For 22098070/71-00 and KIT1-2 Remote control code 22099020-00 is supplied separately.

Possibility of DMX System code 22090876-00.

See M60 page 234 for connections.

M45 - LED FULLCOLOR RGB - Professional				
		CLD S+L		LED (Ta=25°C)
wattage/W	colour	weight	code	ølm - degrees
LED RGB 3,2W	white	0,20	22062616-00	R 30 - G 40 - B 9 - 40°
LED RGB 3,2W	m. silver	0,20	22062675-00	
LED RGB 3,2W	chrome	0,20	22062667-00	



M45 - MASTERLED CAPSULE - Home					
		CLD S		W tot	LED (Ta=25°C)
wattage/W	colour	weight	code		Kelvin - ølm - CRI - degrees
MASTERLED CAPSULE	white	0,20	22062610-00	2,5	2700K - 100lm - CRI 80 - 360°
MASTERLED CAPSULE	m. silver	0,20	22062670-00		
MASTERLED CAPSULE	chrome	0,20	22062660-00		

Power supply	
220-240/12V 60	22090816-00
Electronc dimmable power supply.	

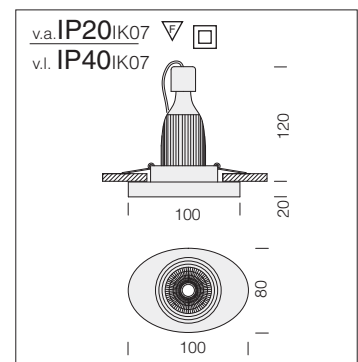
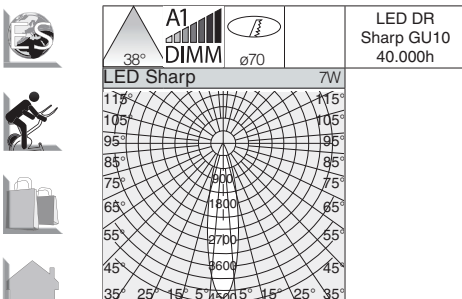
M45 - Ministar halogen 12V - Home				
		S+L		Lamps (Ta=25°C)
wattage/W	colour	weight	code	Kelvin - cd
ALO 20	white	0,20	22062511-00	3000K - 800cd
ALO 20	m. silver	0,20	22062570-00	
ALO 20	chrome	0,20	22062562-00	





Recessed spotlights are being increasingly used as decoration items where light, design and materials create innovative and prestigious solutions. The frame in coloured glass, with either round or square profile, makes this spotlight an ideal solution to upgrade or enhance the lighting system with a touch of personality, choosing from a range of bright colours or more neutral tones. Glass is equipped with 230V LEDs for outstanding performance and low energy costs. Available In three light beam angles to provide either general or accent lighting.

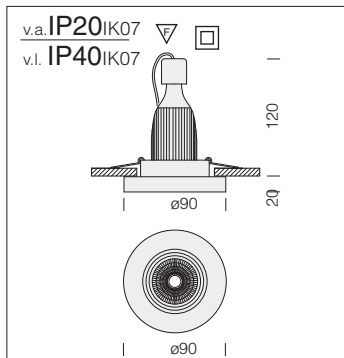
HALOGEN	LED Sharp
2,000 h	40,000 h
50 W	7 W



HOTEL

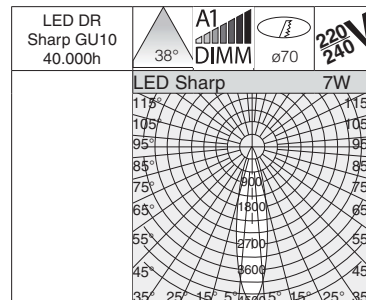
LED

Glass - Home					
		CLD CELL-D			LED (Ta=25°C)
wattage/W	colour	weight	code	W tot	Kelvin - ølm - CRI - degrees
<b>LED Sharp 7W</b>	chrome	0,30	220 <b>61462</b> -00	<b>8</b>	2750K - 450lm - CRI80 - 38°

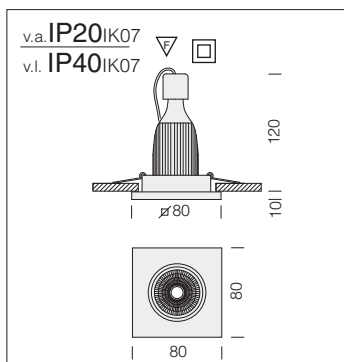


**Housing:** In aluminium.

**Dark light optic:** honeycombed with double parabolic optic; in matt, anti-reflective and anti-irradiance with very low luminance.

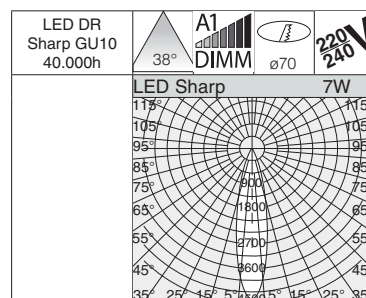


Glass 1 - Home					
		CLD CELL-D		LED (Ta=25°C)	
wattage/W	colour	weight	code	W tot.	Kelvin - ølm - CRI - degrees
LED Sharp 7W	blue	0.40	22061480-00	8	2750K - 450lm CRI80 - 38°
LED Sharp 7W	chrome	0.40	22061461-00		
LED Sharp 7W	changing	0.40	22061400-00		



**Housing:** In aluminium

**Dark light optic:** honeycombed with double parabolic optic; in matt, anti-reflective and anti-irradiance with very low luminance



Glass 2 - Home					
		CLD CELL-D		LED (Ta=25°C)	
wattage/W	colour	weight	code	W tot.	Kelvin - ølm - CRI - degrees
LED Sharp 7W	blue	0.20	22061481-00	8	2750K - 4000h CRI80 - 38°
LED Sharp 7W	dark blue	0.20	22061486-00		
LED Sharp 7W	chrome	0.20	22061467-00		
LED Sharp 7W	changing	0.20	22061401-00		





MASTERLED  
DSR GU5,3

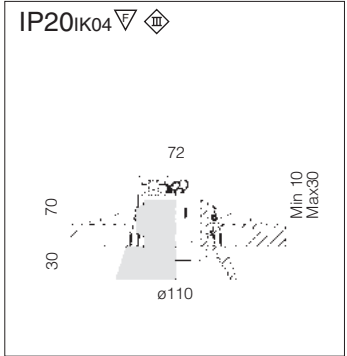


LED



MASTERLED 7W

**MASTERLED:** particularly suited for public spaces such as reception halls, entrance lobbies, corridors, stairways and bathrooms where lights stay on all day, **40,000** hours of lifespan, and 80% energy saving compared to ALO 35W.

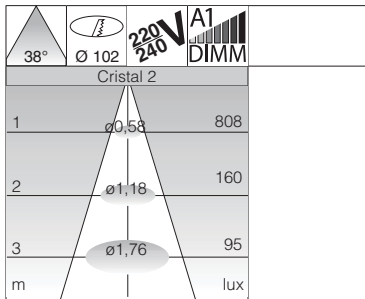


Series of small-size recessed spotlights which produce different colour light effects.

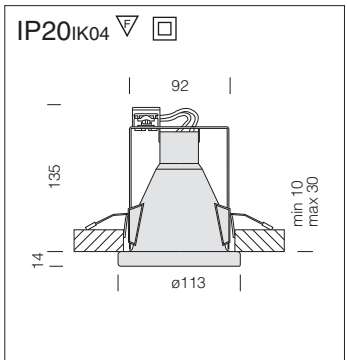
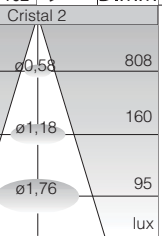
**Housing:** Coloured glass with steel structure, supporting the terminal block and recessed mounting brackets.

Cristal 1 - 12V - DIMM				
		CLD S+L		LED (Ta=25°C)
wattage/W	colour	weight	code	Kelvin - cd - degrees - CRI
MASTERLED 7W	white	0,40	220 <b>60515</b> -00	2700 K - 1450cd - 24° - CRI 80
MASTERLED 7W	blu	0,40	220 <b>60580</b> -00	
MASTERLED 7W	rosa	0,40	220 <b>60527</b> -00	
MASTERLED 7W	verde	0,40	220 <b>60542</b> -00	

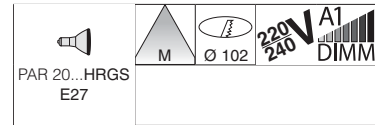
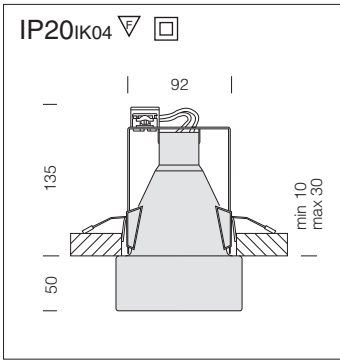
Transformer sold separately cod. 22090817-00 (70W), cod. 22090810-00 (105W).



220V  
240V  
A1  
DIMM

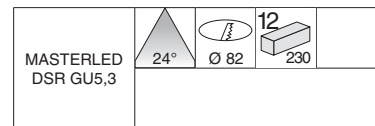
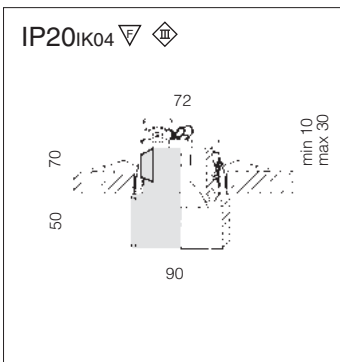


Cristal 2 - 230V				
		CLD CELL-D		Lamps (Ta=25°C)
wattage/W	colour	weight	code	Kelvin - lm - degrees
LED PAR20	white	0,70	220 <b>60610</b> -00	2750 K - 500 lm - 38°
LED PAR20	blue	0,70	220 <b>60689</b> -00	
LED PAR20	pink	0,70	220 <b>60622</b> -00	
LED PAR20	green	0,70	220 <b>60645</b> -00	
LED PAR20	amber	0,70	220 <b>60696</b> -00	
LED PAR20	yellow	0,70	220 <b>60655</b> -00	



**Cristal 3 - LED PAR20**

		CLD CELL-D		Lamps (Ta=25°C)
wattage/W	colour	weight	code	Kelvin - ølm - degrees
LED PAR20	white	0,40	22060710-00	2750 K - 500 lm - 38°



**MASTERLED:** particularly suited for public spaces such as reception halls, entrance lobbies, corridors, stairways and bathrooms where lights stay on all day, **40,000** hours of lifespan, and 80% energy saving compared to ALO 35W.

**Cristal 4 - 12V - DIMM**

		CLD S+L matt		CLD S+L clear	LED (Ta=25°C)
wattage/W	colour	weight	code	code	Kelvin - cd - CRI - degrees
MASTERLED 7W	white	0,40	22060811-00	22060810-00	2700K - 1450cd - CRI80 - 24°
MASTERLED 7W	blue	0,40	22060885-00		
MASTERLED 7W	aqua marine	0,40	22060833-00	22060832-00	
MASTERLED 7W	amber	0,40	22060895-00	22060892-00	
MASTERLED 7W	green	0,40	22060847-00		
MASTERLED 7W	pink	0,40	22060829-00		
MASTERLED 7W	yellow	0,40	22060859-00		
MASTERLED 7W	cyan			22060862-00	

Transformer sold separately cod. 22090817-00 (70W), cod. 22090810-00 (105W).





**Housing:** in self-extinguishing, vandal resistant polycarbonate and in black galvanised sheet metal.

**Lampholder:** Polycarbonate with phosphorous bronze contacts.

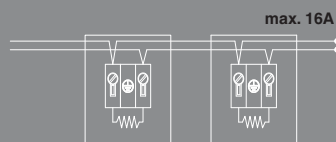
**Equipment:** Control gear located on the side of the housing inside a polycarbonate box with cooling slots; flush springs from 1mm up to 40mm.

**Emergency version:** With separate electric gear box, in maintained version. In the event of a black-out a single lamp connected to the back-up circuit stays on. Run time: 60 minutes.



**LOOP-IN**

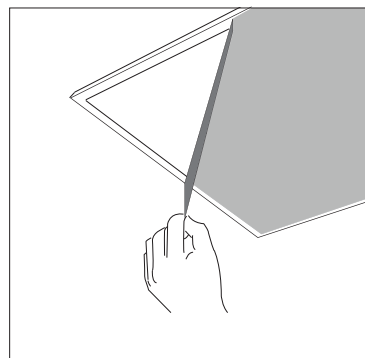
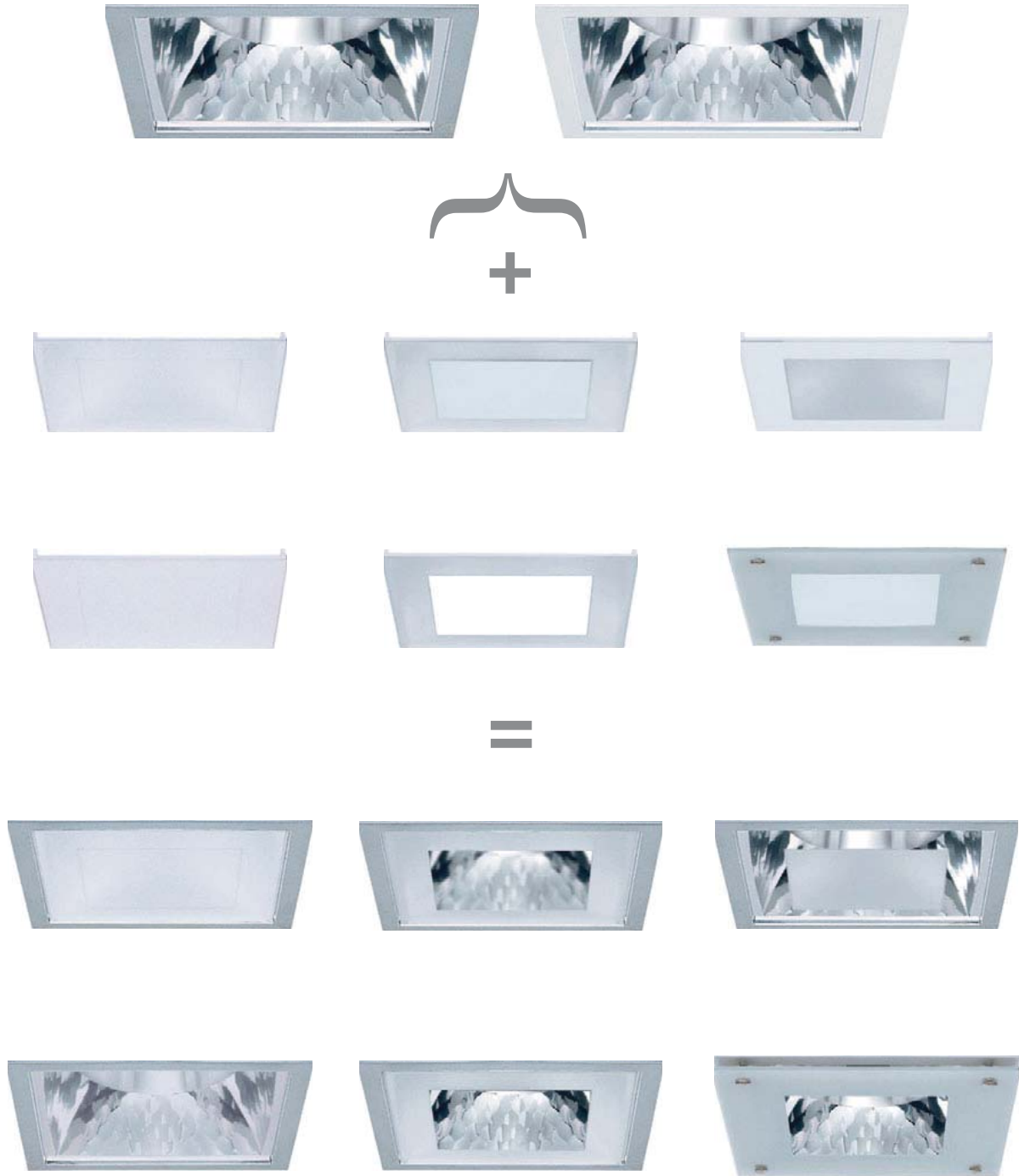
“Loop-in” refers to a connection system to the mains power supply of two or more lighting fixtures, where each conductor comes in and out of the same terminal. (see drawing).



Equipped with:

- PVC cable H05V2V2-F3G1.5 (the length of the outlet cable varies from 0.5 to 1, 2, 3 m);
- 3 pole plug GST18i3 supplied with a socket for connection to the system

- PVC H05VV-F5G1.5 cable (the length of the outlet cable varies from 0.5 to 1, 2, 3 m);
- 5 pole plug GST18i5 can be used with boxes or emergency equipment, and for connection to systems supplied with a plug



**Available on request:** protection film to be removed after the installation has been completed, to prevent the optics from getting dirty or scratched. High energy efficiency and visual comfort.

M 215x215 EL A2 EM  
 MAIN A1 CONTROL SYSTEM DIMM DIMM DIG  
 FLC-D/E 2x26 W  
 PL-R...FSM G24  
 FLC-D/E...FSQ G24  
 18W = G24 q-2  
 26W = G24 q-3  
 FLC-T...FSMH Gx24  
 32W = Gx24 q-3



v.a. IP20IK07  
 v.l. IP23IK07

**Reflector:** V2 self-extinguishing polycarbonate, metallized with aluminium powders through a C.V.D. hard-vacuum process for greater luminous efficiency and improved light control.

**Office 7**

		CELL		CELL-E		CELL-D (1-10V)		Lamps (Ta=25°C)	
wattage/W	colour	weight	code	weight	code	weight	code	Kelvin - ølm - Ra	
PL-R 1x14	aluminium	1,30	22154076-00	2,40	22154076-09			4000K - 1050 lm - Ra 1b	
PL-R 1x17	aluminium	1,30	22154077-00	2,40	22154077-09			4000K - 1250 lm - Ra 1b	
PL-R 2x14	aluminium	1,30	22154078-00	2,40	22154078-09			4000K - 1050 lm - Ra 1b	
PL-R 2x17	aluminium	1,30	22154079-00	2,40	22154079-09			4000K - 1250 lm - Ra 1b	
FLC-D/E 1x26	aluminium	1,30	22154075-00					3000K - 1800 lm - Ra 1b	
FLC-D/E 2x18	aluminium	1,30	22154071-00	2,40	22154071-09	1,40	22154071-12	3000K - 1200 lm - Ra 1b	
FLC-D/E 2x26	aluminium	1,30	22154073-00	2,40	22154073-09	1,40	22154073-12	3000K - 1800 lm - Ra 1b	
FLC-D/E 2x18	aluminium	1,30	22154072-00	2,40	22154072-09	1,40	22154072-12	4000K - 1200 lm - Ra 1b	
FLC-D/E 2x26	aluminium	1,30	22154074-00	2,40	22154074-09	1,40	22154074-12	4000K - 1800 lm - Ra 1b	
FLC-T/E 1x32	aluminium	1,30	22154070-00	2,40	22154070-09			4000K - 2400 lm - Ra 1b	

		CELLD-E (1-10V)		CELLD-DIG (dali)		CELLD-DIG-E (dali)		Lamps (Ta=25°C)	
wattage/W	colour	weight	code	weight	code	weight	code	Kelvin - ølm - Ra	
FLC-D/E 2x26	aluminium	2,40	22154074-94	1,40	22154074-1241	2,40	22154074-9441	4000K - 1800 lm - Ra 1b	

M 215x215 EL A2 EM  
 MAIN A1 CONTROL SYSTEM DIMM DIMM DIG  
 FLC-D/E 2x26 W  
 PL-R...FSM GR14  
 FLC-D/E...FSQ G24  
 18W = G24 q-2  
 26W = G24 q-3  
 FLC-T...FSMH Gx24  
 32W = Gx24 q-3



v.a. IP20IK07  
 v.l. IP23IK07

**Reflector:** V2 self-extinguishing polycarbonate, metallized with aluminium powders through a C.V.D. hard-vacuum process for greater luminous efficiency and improved light control. With white rim.

**Office 8 - with white rim RAL 9010**

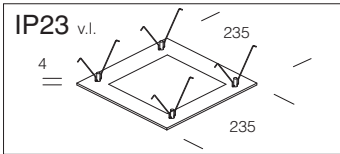
		CELL		CELL-E		Lamps (Ta=25°C)	
wattage/W	colour	weight	code	weight	code	Kelvin - ølm - Ra	
PL-R 2x14	white	1,30	22154018-00	2,40	22154018-09	4000K - 1050 lm - Ra 1b	
PL-R 2x17	white	1,30	22154019-00	2,40	22154019-09	4000K - 1250 lm - Ra 1b	
FLC-D/E 2x18	white	1,30	22154011-00	2,40	22154011-09	3000K - 1200 lm - Ra 1b	
FLC-D/E 2x26	white	1,30	22154013-00	2,40	22154013-09	3000K - 1800 lm - Ra 1b	
FLC-D/E 2x18	white	1,30	22154012-00	2,40	22154012-09	4000K - 1200 lm - Ra 1b	
FLC-D/E 2x26	white	1,30	22154014-00	2,40	22154014-09	4000K - 1800 lm - Ra 1b	
FLC-T/E 1x32	white	1,30	22154015-00	2,40	22154015-09	4000K - 2400 lm - Ra 1b	

		CELLD-D (1-10V)		CELLD-E (1-10V)		CELLD-DIG (dali)		CELLD-DIG-E (dali)		Lamps	
wattage/W	colour	weight	code	weight	code	weight	code	weight	code	Kelvin - ølm - Ra	
FLC-D/E 2x26	white	1,30	22154014-12	2,40	22154014-94	1,40	22154014-1241	2,40	22154014-9441	4000K - 1800 lm	

A new version of Office comes with **PL-R Eco** lamps that save up to 25% electricity in contrast with ordinary compact fluorescent lamps. and higher working life (24,000h).

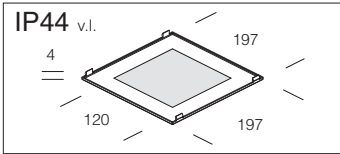
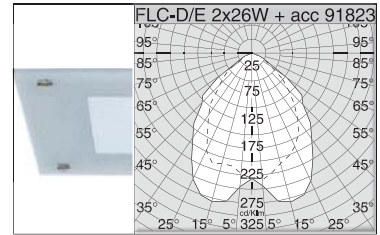




Screen-printed tempered glass for decorative purposes. Open along the side to improve light output.



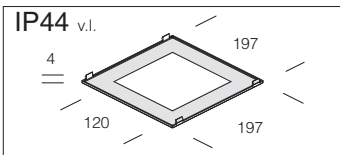
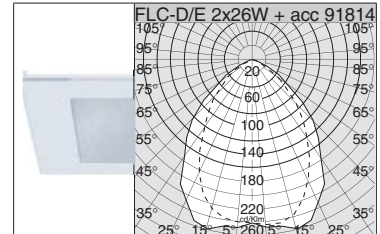
**Tempered glass**  
22091823-00



In polycarbonate with centre anti-glare silk-screen.



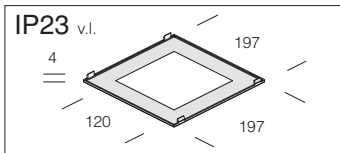
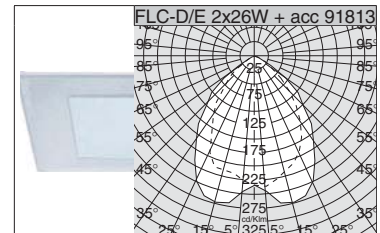
**Silk-screened diffuser**  
22091814-00



In polycarbonate with silk-screened rims for side control.



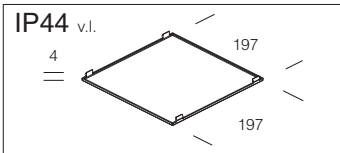
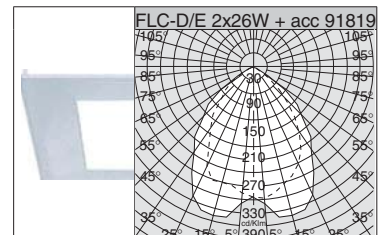
**Silk-screened diffuser**  
22091813-00



In polycarbonate with central square hole for a decorative effect and to allow air circulation.



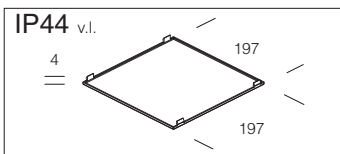
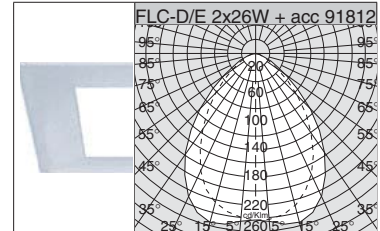
**Diffuser with central perforation**  
22091819-00



In anti-glare polycarbonate diffuser.



**Silk-screened diffuser**  
22091812-00

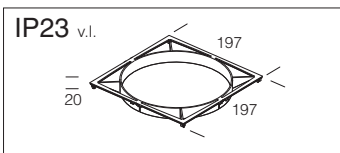
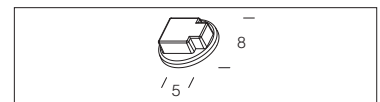


In polycarbonate with silk-screened rims with central square hole to allow air circulation.



**Transparent diffuser**  
polycarbonate 22091824-00

**Cap for Office**  
22091807-00  
Infill cap for an improved aesthetic finish. Package containing n. 5 caps.



Polycarbonate dark light optics for visual comfort to be used in offices equipped with VDT screens



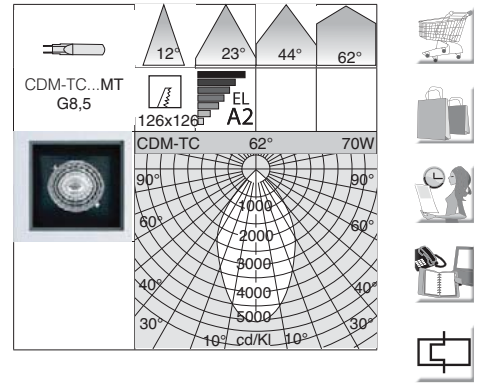
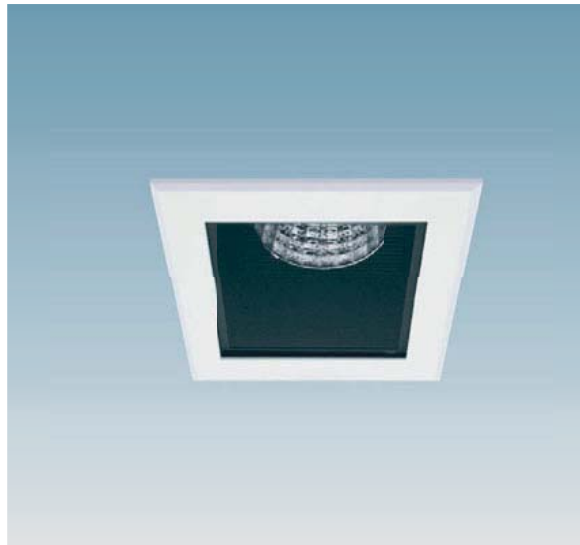
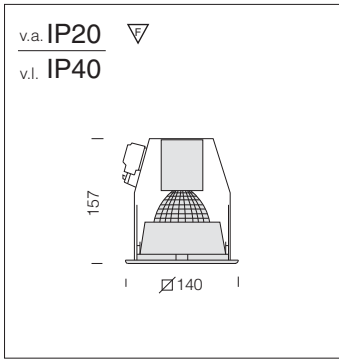
**Dark-light optical 65°**  
22091821-00

Coloured diffuser with central perforation	
red	22091829-00
green	22091841-00
yellow	22091855-00
blue	22091886-00

For a decorative effect.







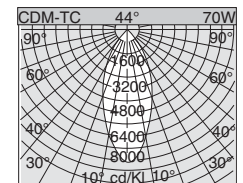
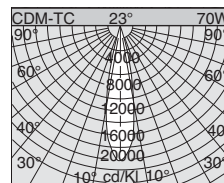
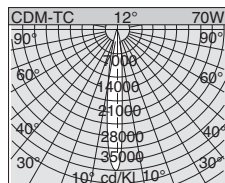
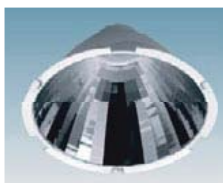
Torino was designed with this goal in mind, making it the ideal fixture to be rapidly installed in any exhibition area at lower costs and capable of meeting any artificial light need for any kind of interior design.

**Housing:** in steel and plates.

**Diffuser:** protection tempered glass.

**Standard supply:** complete with adjustable steel bracket. The ring holding the glass can be opened by means of a hinge opening to ensure easier maintenance.

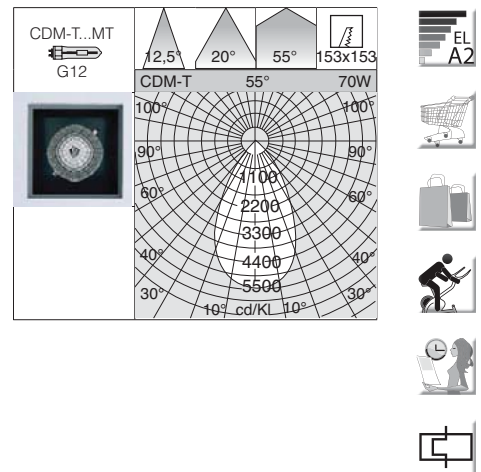
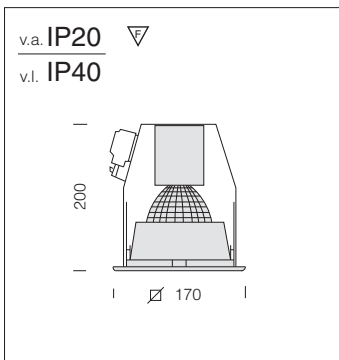
Torino 1 - Professional				
		CELL		Lamps (Ta=25°C)
wattage/W	colour	weight	code	Kelvin - ølm - Ra
CDM-TC 35W	white	1,00	22177015-00	3000K - 3400lm - Ra 84 - 62°
CDM-TC 70W	white	1,00	22177017-00	3000K - 6200lm - Ra 83 - 62°



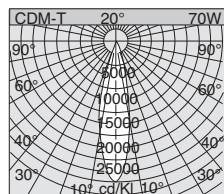
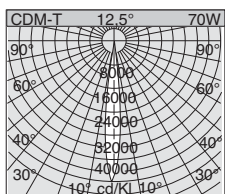
**12° narrow beam parabolic optic**  
22090112-00

**23° medium beam parabolic optic**  
22090123-00

**44° wide beam parabolic optic**  
22090144-00



Torino 2 - Professional				
		CELL		Lamps (Ta=25°C)
wattage/W	colour	weight	code	Kelvin - ølm - Ra
CDM-T 35W	white	1,40	22177016-00	3000K - 3400lm - Ra 84 - 55°
CDM-T 70W	white	1,40	22177018-00	3000K - 6200lm - Ra 83 - 55°

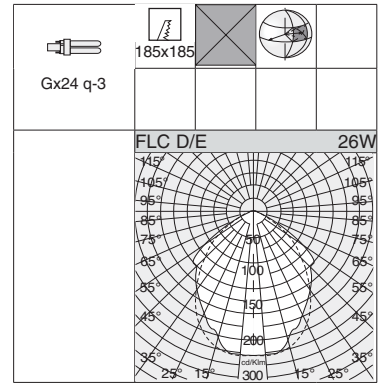
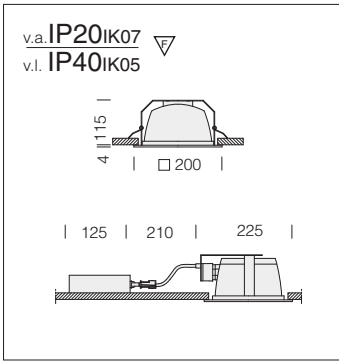


**12,5° narrow beam parabolic optic**  
22090125-00

**20° medium beam parabolic optic**  
22090120-00





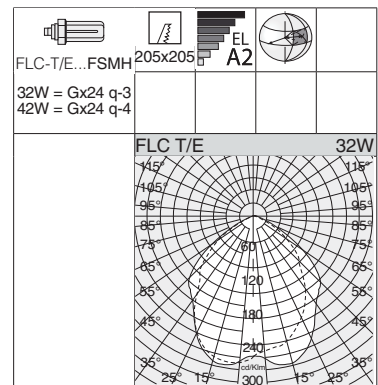
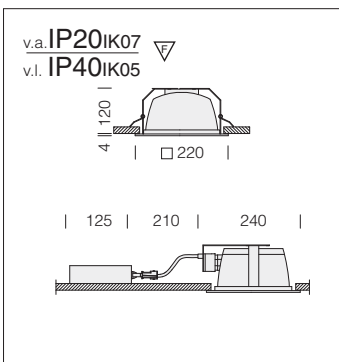


**Housing:** In aluminium.

**Optic:** honeycombed with double parabolic optic; in matt, anti-reflective and anti-irradiance with very low luminance.

Aosta 1				
		CLD CELL		Lamps (Ta=25°C)
wattage/W	colour	weight	code	Kelvin - ølm - Ra
FLC 2x26 D/E	white	0,55	22174812-00	4000K - 1800lm - Ra 1b

Also available with white internal rim.

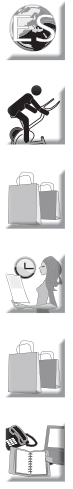


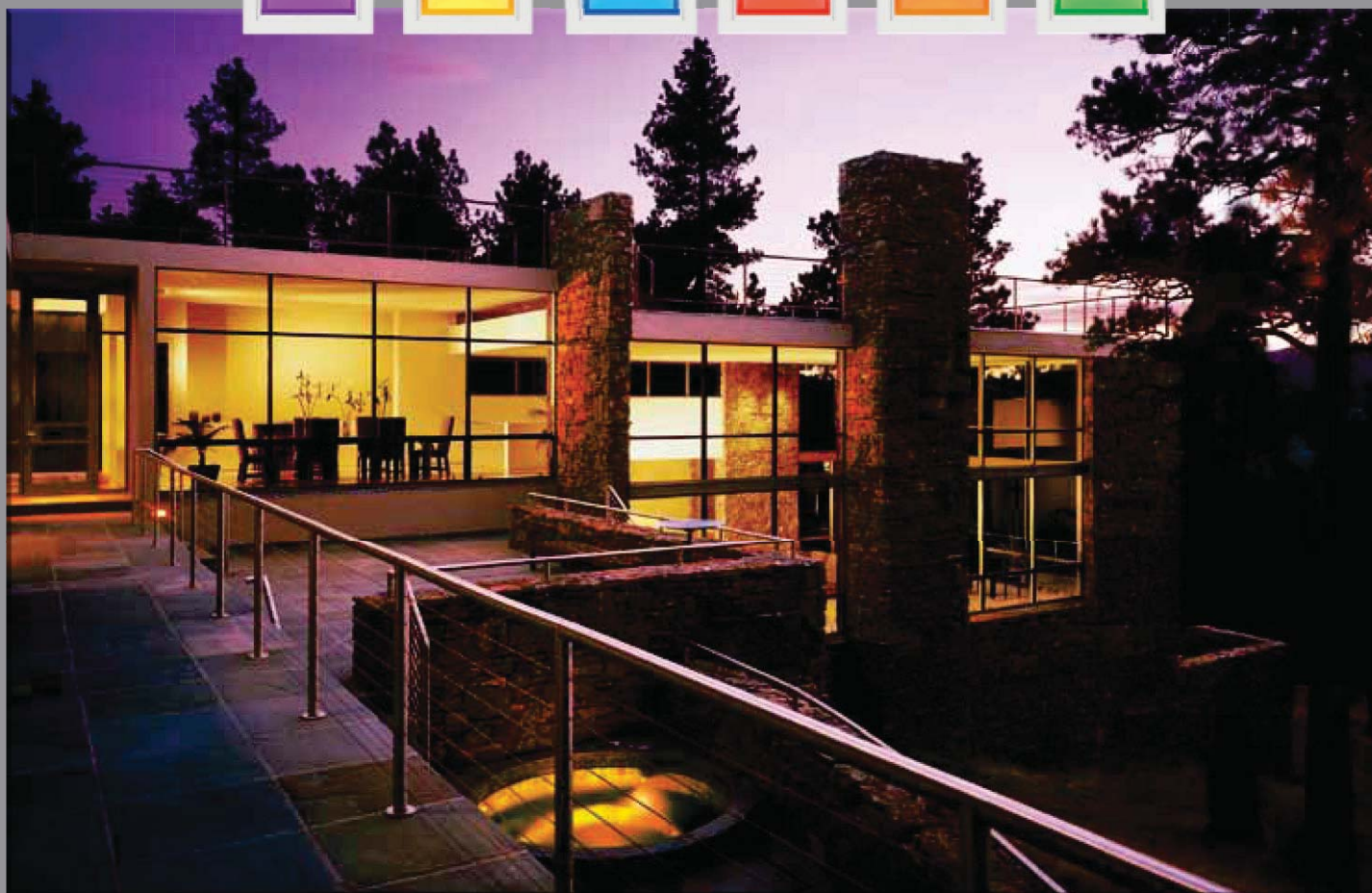
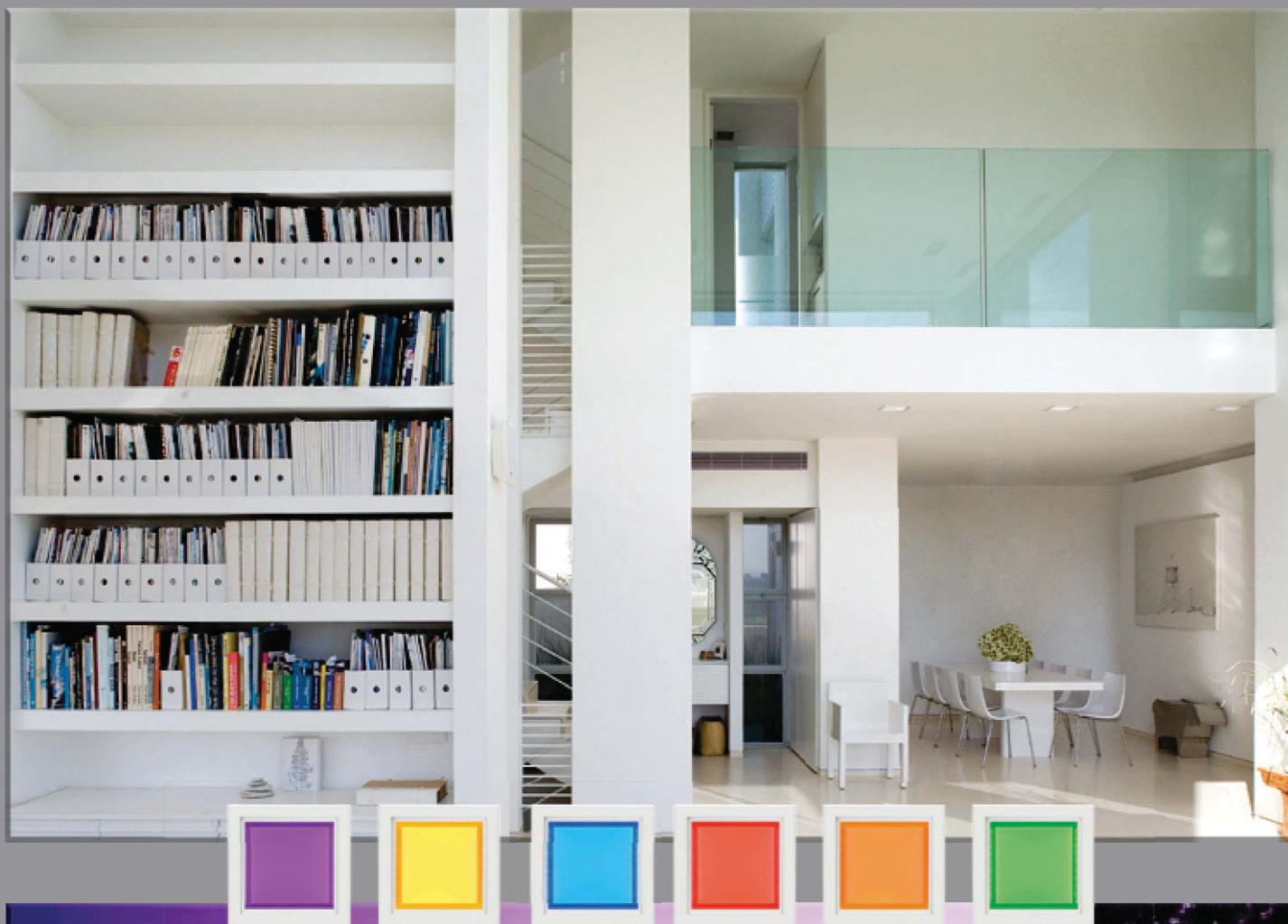
**Housing:** In aluminium

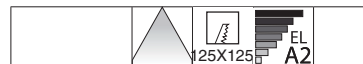
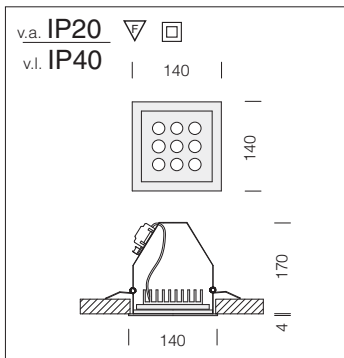
**Optic:** honeycombed with double parabolic optic; in matt, anti-reflective and anti-irradiance with very low luminance.

Aosta 2				
		CELL		Lamps (Ta=25°C)
wattage/W	colour	weight	code	Kelvin - ølm - Ra
FLC 2x32 T/E	white	0,60	22174813-00	4000K - 2400lm - Ra 1b
FLC 2x42 T/E	white	0,80	22174814-00	4000K - 3200 lm - Ra 1b

Also available with white internal rim.





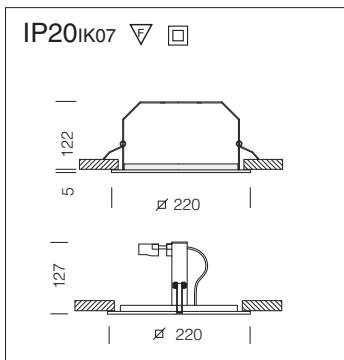


**Housing:** In aluminium.

**LED:** high-efficiency light sources. Equipment: complete with electronic power supply unit separated from the LEDs. Possibility to select the drive current (350, 500, 700mA) using a switch inside the driver.

**Upon request:** 20° or 60° beam angle.

Aosta 9 - LED - Home					
			CLD CELL-D		LED (Ta=25°C)
wattage - 700mA	colour	weight	code	W tot.	K - ølm 700mA - CRI
LED 9x2,3W	white	1.00	22174817-00	22W	4000K - 2220lm - CRI 80
LED 9x2,3W	black	1.00	22174838-00		



**Diffuser:** panel in PMMA, 6 mm thick, with laser silk-screening suitably dimensioned based on the power level of the LED

**Aosta LED and Aosta LED RGB:** professional lighting systems for interiors with decorative panels:

- Backlight technology for new interior decorating needs
- Ceilings bring new depth
- They emphasise the trends in contemporary architecture
- Energy-efficient and eco-compatible.

Aosta - LED white					
			CLD S+L		LED (Ta=25°C)
wattage/W	colour	weight	code	W tot.	Kelvin - ølm - CRI
Strip LED 16W	white	0,80	22174815-00	18	4200K - 800lm - CRI 80

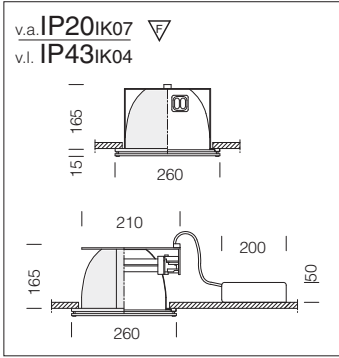
Transformer sold separately cod. 22090893-00, 22090839-00, 22092022-00.

Aosta - LED RGB					
			CLD S+L		LED (Ta=25°C)
wattage/W	colour	weight	code	W tot.	ølm
Strip LED 6W	white	0,80	22174816-00	10	R 24lm - G 40lm - B 16lm

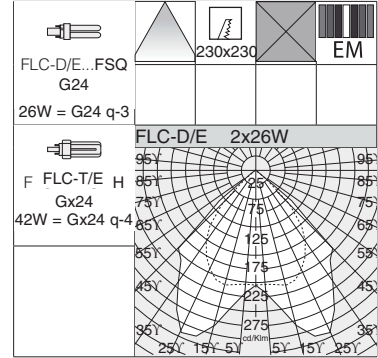
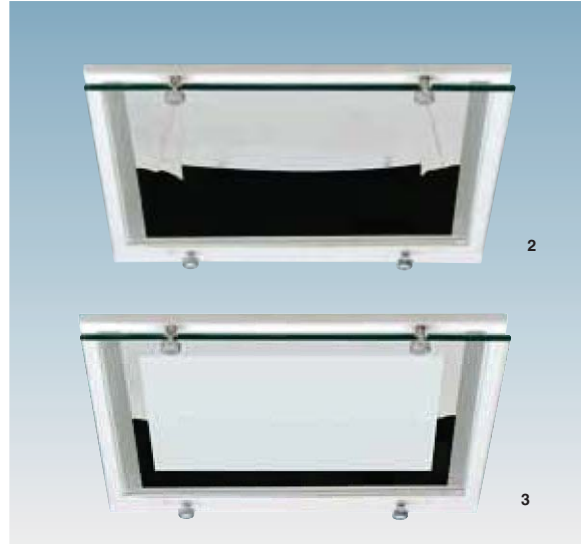
Transformer sold separately cod. 22099056-00, 22099054-00, 22090879-00.





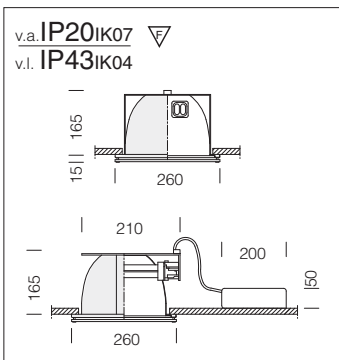


On request: dimmable versions.

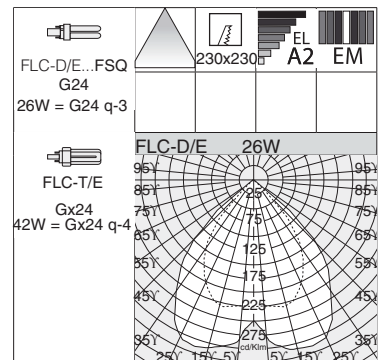


Carré 2 - with clear glass - Professional					
		CELL		CELL-E	Lamps (Ta=25°C)
wattage/W	colour	weight	code	code	Kelvin - ølm - Ra
FLC-D/E 2x26	white	2,30	22174112-08	22174112-09	4000K - 1800 lm - Ra 1b
FLC-T/E 2x42	white	2,20	22174114-00	22174114-09	4000K - 3200 lm - Ra 1b

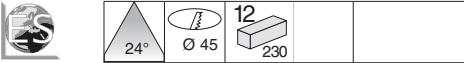
Carré 3 - with silk-screened glass - Professional					
		CELL		CELL-E	Lamps (Ta=25°C)
wattage/W	colour	weight	code	code	Kelvin - ølm - Ra
FLC-D/E 2x26	white	2,30	22174115-08		4000K - 1800 lm - Ra 1b
FLC-T/E 2x42	white	2,20	22174117-00		4000K - 3200 lm - Ra 1b



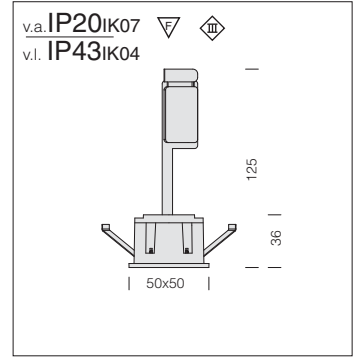
Housing: die-cast aluminium.  
Reflector: High-efficiency plated anodised and polished aluminium.



Carré 4 - dark with glass					
		CELL		CELL-E	Lamps (Ta=25°C)
wattage/W	colour	weight	code	code	Kelvin - ølm - Ra
FLC-D/E 2x26	white	2,60	22174116-00	22174116-09	4000K - 1800 lm - Ra 1b
FLC-T/E 2x42	white	2,70	22174118-00	22174118-09	4000K - 3200 lm - Ra 1b



LED



**Housing:** in die-cast zamak.  
Available upon request, warm white LED version, 3200K.  
Option to choose the beam aperture (10° - 40°)

Q45 LED - Home					
		CLD S+L		W tot.	LED (Ta=45°C)
wattage - 350mA	colour	weight	code		K - ølm 350mA - degrees
<b>LED white 1x1,2W</b>	white	0,20	22064510-00	1,2	6000K - 100lm - 24°
<b>LED white 1x1,2W</b>	m. silver	0,20	22064571-00		
<b>LED white 1x1,2W</b>	chrome	0,20	22064562-00		

The DC 350mA power supply unit to power max 3 spotlights must be ordered separately with code 22090832-00.  
The power supply unit to power 12 spotlights must be purchased separately with code 22090837-00.

Q45 LED - Professional					
		CLD S+L		W tot.	LED (Ta=45°C)
wattage - 700mA	colour	weight	code		K - ølm 700mA - degrees
<b>LED white 1x2,6W</b>	white	0,20	22064511-00	2,6	6000K - 170lm - 24°
<b>LED white 1x2,6W</b>	m. silver	0,20	22064572-00		
<b>LED white 1x2,6W</b>	chrome	0,20	22064563-00		

The power supply for 2,6W, 700mA dc LED version to power max 3 spotlights must be ordered separately with code 22090835-00.

**POWER LED CONNECTIONS 350mA**

**CODE 22090832-00**  
**- 350mA - 4W**

Power supply LED 1x1,2W  
(to be inserted in IP65 box)

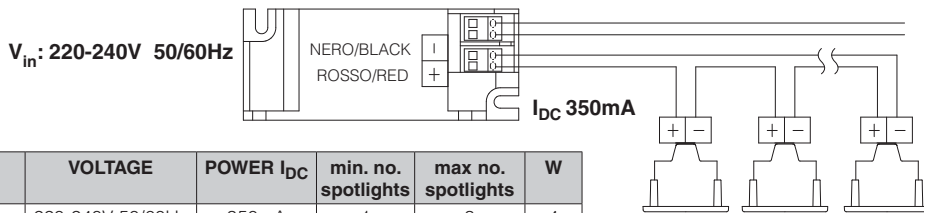


**CODE 22090837-00**  
**- 350mA - 17W**

Power supply LED 1x1,2W  
(to be inserted in IP65 box)



Acquire separately a power supply dc 350mA cod 22090832-00 to be inserted in IP65 box to supply up to max 3 spotlights; or utilize power supply cod 22090837-00 to supply max 12 spotlights.



CODE	VOLTAGE	POWER I <sub>DC</sub>	min. no. spotlights	max. no. spotlights	W
22090832-00	220-240V 50/60Hz	350mA	1	3	4
22090837-12	<b>DIMM 1-10V</b>	350mA	1	12	15
22090837-00	220-240V 50/60Hz	350mA	1	12	15

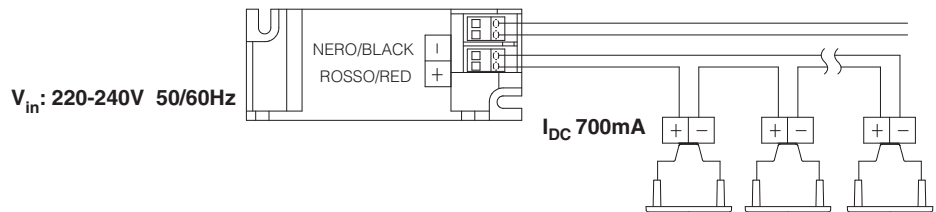
**POWER LED CONNECTIONS 700mA**

**CODE 22090835-00**  
**- 700mA - 9W**

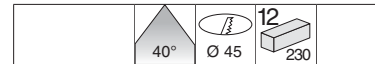
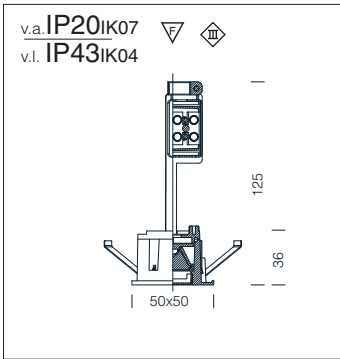
Power supply LED 1x2,6W  
(to be inserted in IP65 box)



Acquire separately a power supply dc 700mA cod 22090835-00 to be inserted in IP65 box to supply up to max 3 spotlights.



CODE	VOLTAGE	POWER I <sub>DC</sub>	min. no. spotlights	max. no. spotlights	W
22090835-00	220-240V 50/60Hz	700mA	1	3	9
22090834-00	<b>DIMM 1-10V</b>	700mA	1	6	18



For **DMX CONNECTIONS** see chapter **Technical Comports**:

**Waterproof gear box 20W KIT 3**  
code 22092053-00

**Waterproof gear box 60W KIT 3**  
bis code 22092051-00

**Amplifier / DMX signal modulator**  
code 22092052-00

**SOFTWARE DMX**  
code 22090863-00



Q45 LED FULLCOLOR RGB				
		CLD S+L		LED (Ta=25°C)
wattage/W	colour	weight	code	Kelvin - olm - CRI - degrees
LED RGB 3,2W	white	0,20	22064512-00	R 30 - G 40 - B 9 40°
LED RGB 3,2W	m. silver	0,20	22064573-00	
LED RGB 3,2W	chrome	0,20	22064564-00	

Use power supply code 22090870-00, to power up to 9 RGB spotlights  
 To supply other 9 spotlights RGB in sync with MASTER, acquire SLAVE cod 22090871-00  
 In case of installation in a control board, the following are supplied separately:  
 - KIT1, code 22090872-00, powers up to 5 spotlights in synchronised mode  
 - KIT2, code 22090873-00, powers up to 10 spotlights in synchronised mode  
 For 22098070/71 and KIT1-2 Remote control code 22099020-00 is supplied separately.

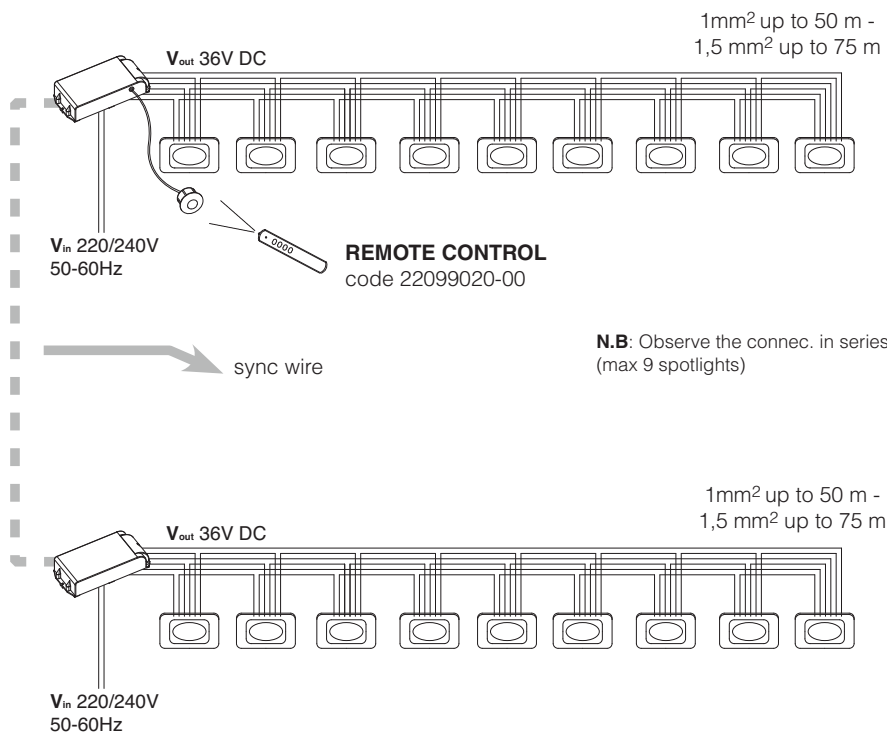
**FULLCOLOR RGB CONNECTIONS**

**BASE SYSTEM**  
**CODE 22090870-00**  
 Master + IR Receiver

Three-channel professional colour control module for LED RGB. Dimmable option supplied separately with IR remote control (code 22099020-00).  
 To power up to 9 RGB Q45 spotlights.

**CODE 22090871-00**  
 Slave

A SLAVE be purchased to use 9 more spotlights in sync with the MASTER, up to 9 spotlights (code 22090871-00). Can be operated using 1 MASTER and 99 SLAVES.





**Housing:** extruded aluminum with end caps, steel plate. Mounting frame molded cast aluminum with incorporated brackets for false ceilings.

**Screen:** in thick transparent tempered glass. 5mm resistant to thermal shock and impact resistant (UNI-EN 12150-1: 2001).

**Reflector:** pure aluminum 99.99 bright-diffused, 5mm.

**Coating:** the first stage includes grey epoxy e-coating, resistant to corrosion and saline environments. Then the fixture is coated with an white acrylic based UV-stabilised resin.

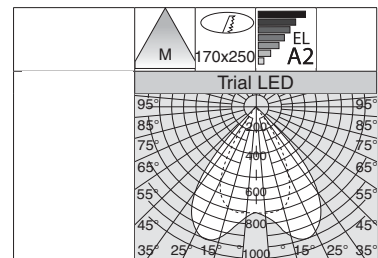
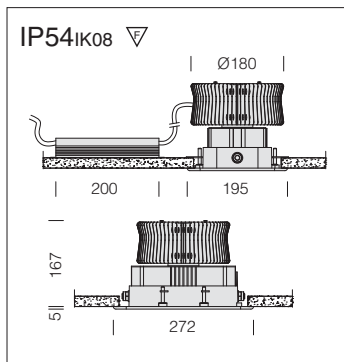
**Wiring:** driver IP65.

**Life:** 50.000 hours

**On request:**  
3000K - 4500lm - CRI 90 version.



FIXED RECESSED DOWNLIGHTS



Trial LED - COB System					
		CLD CELL		W tot	LED (Ta=25°C)
wattage (1500mA)	colour	weight	code		Kelvin - ølm - CRI
LED white 102W	white	3.40	22065412-00	114	5000K - 7955lm - CRI 80
LED white 115W	white	3.40	22065411-00	128	5000K - 8880lm - CRI 80





*new*



Atlas p. 298



Compendio p. 264



Corner p. 268



Corner 160 p. 280

*new*



Deltamarket p. 312

*new*



Euroma p. 275



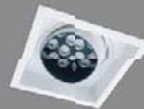
Eta p. 281



Fenix p. 296



Fenix Q p. 307



Firenze p. 308



Fix p. 313

*new*



Flower p. 262

*new*



Hotel 9 p. 294



iSpot p. 287



Janus p. 293

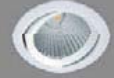


King p. 276



Lem p. 311

*new*



Logan p. 286



Lotus p. 290



Low Glare p. 282



Luna p. 305

*new*



Luthor Big-M-S p. 260



Mac Mac 2 p. 302 p. 270



Minishop p. 314



Multimicro p. 303



Petit p. 304



Shop p. 320



Store p. 324

*new*



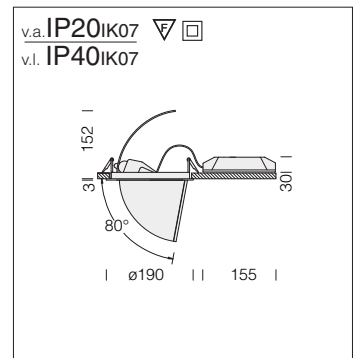
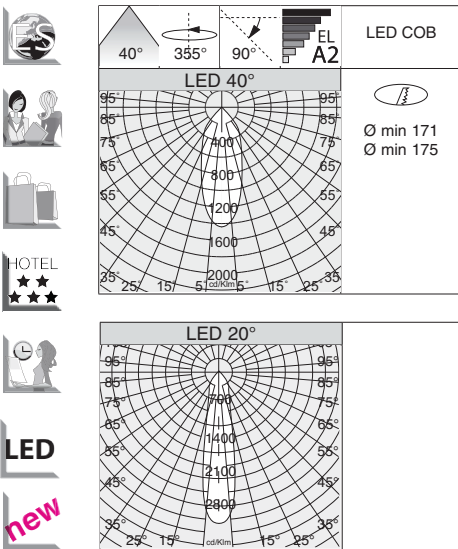
Sun p. 288



Sylon p. 278



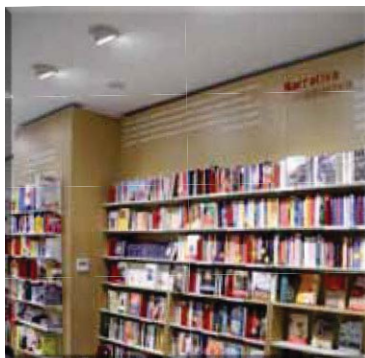
Verona p. 310



**Housing:** Adjustable angle, made of die-cast aluminium.

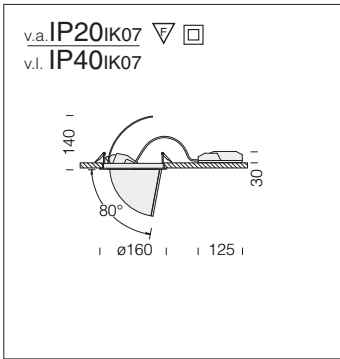
**Reflector:** high-efficiency prismatic and polished aluminium.

Universally applicable, suitable to replace downlights with cut out diameters ranging from 171mm to 175mm

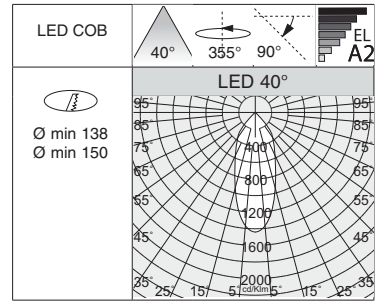


Luthor LED - PROFESSIONAL					
		CLD CELL		W tot.	LED (Ta=25°C)
wattage/W	colour	weight	code		Kelvin - ølm - CRI - degrees
LED 26W	white	1.40	22087815-00	30	3000K - 3000lm - CRI>80 - 40°
LED 26W	m. silver	1.40	22087875-00		
LED 26W	white	1.40	22087814-00		3000K - 3000lm - CRI>80 - 20°
LED 26W	m. silver	1.40	22087874-00		
Universally applicable, suitable to replace downlights with cut out diameters ranging from 171mm to 175mm.					
LED 45W	white	1.40	22088810-00	51	3000K - 4500lm - CRI>80 - 40°
LED 45W	m. silver	1.40	22088870-00		
LED 43W	white	1.40	22088811-00	48	4000K - 4500lm - CRI>80 - 40°
LED 43W	m. silver	1.40	22088871-00		





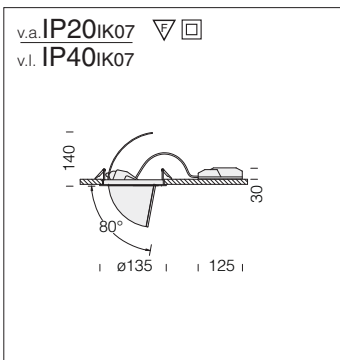
**Housing:** Adjustable angle, made of die-cast aluminium.  
**Reflector:** high-efficiency prismatic and polished aluminium.  
 Universally applicable, suitable to replace downlights with cut out diameters ranging from 138mm to 150mm.



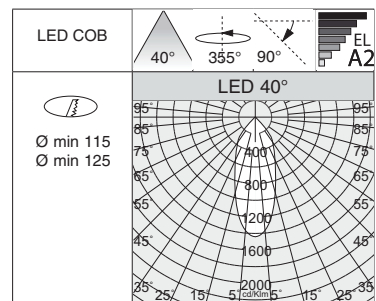
Luthor Medium - COB SYSTEM PROFESSIONAL					
		CLD CELL		W tot.	LED (Ta=25°C)
wattage/W	colour	weight	code		Kelvin - ølm - CRI - degrees
LED 18W	white	1.00	22087816-00	20	3000K - 2000lm - CRI>80 - 40°
LED 18W	m. silver	1.00	22087876-00		



ADJUSTABLE RECESSED DOWN LIGHTS



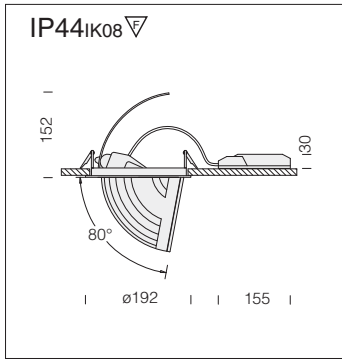
**Housing:** Adjustable angle, made of die-cast aluminium.  
**Reflector:** high-efficiency prismatic and polished aluminium.  
 Universally applicable, suitable to replace downlights with cut out diameters ranging from 115mm to 125mm



Luthor Small - COB SYSTEM PROFESSIONAL					
		CLD CELL		W tot.	LED (Ta=25°C)
wattage/W	colour	weight	code		Kelvin - ølm - CRI - degrees
LED 12W	white	1.00	22087818-00	15	3000K - 1100lm - CRI>80 - 40°
LED 12W	m. silver	1.00	22087878-00		







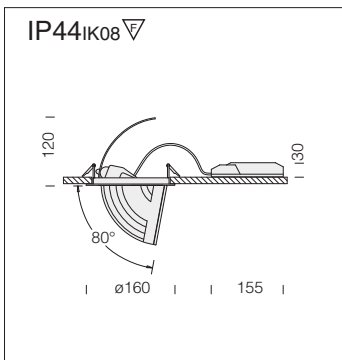
**Housing:** Adjustable angle, made of die-cast aluminium. Equipped with springs for recessed.



	40°	ø180	355	90
Power LED				
1		ø0,67		7890
2		ø1,34		1972
3		ø2,69		493
m				lux



Flower 1 - LED					
		CLD CELL		LED (Ta=25°C)	
wattage/W	colour	weight	code	W tot.	Kelvin - ølm - CRI - degrees
Power LED	white	1,45	22086113-00	43	3000K - 2630lm - CRI 80 - 40°
Power LED	white	1,45	22086114-00		4000K - 2810lm - CRI 70 - 40°



**Housing:** Adjustable angle, made of die-cast aluminium. Equipped with springs for recessed.



	40°	ø150	355	90
Power LED				
1		ø0,67		5633
2		ø1,33		1408
3		ø2,67		352
m				lux



Flower 2 - LED					
		CLD CELL		LED (Ta=25°C)	
wattage/W	colour	weight	code	W tot.	Kelvin - ølm - CRI - degrees
Power LED	white	1,05	22086013-00	35	3000K - 1980lm - CRI 80 - 40°
Power LED	white	1,05	22086014-00		4000K - 2110lm - CRI 70 - 40°



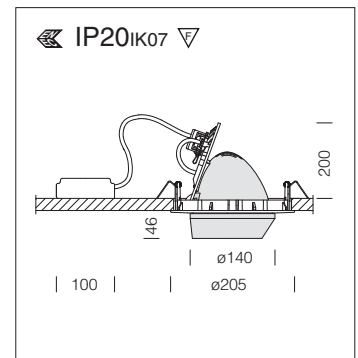


Thanks to its extreme versatility, Compendio includes recessed mounting among its installation options. Multi-recessed version also available.

**Housing:** Die-cast aluminium, with gear box encased inside the structure.

**Coating:** Fluid-coated with a UV-stabilised acrylic-resin paint.

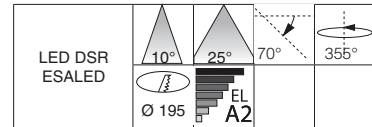
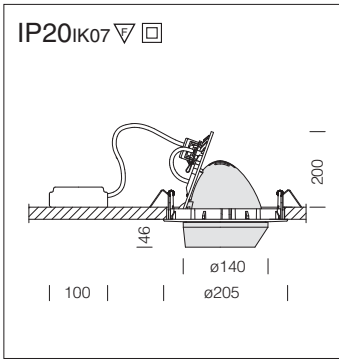
XL	70°	355°	Ø 195	CDM-T...MT G12
EL A2				CDM-T 150 W
				CDMR111...MRS Gx8,5
				SDW-T...STH Gx12



**Diffuser:** Clear tempered glass.

**Power supply:** With separate electric gear box equipped with plug socket connector. When the optic unit compartment rotates, the port is closed by a plate that dissipates the heat.

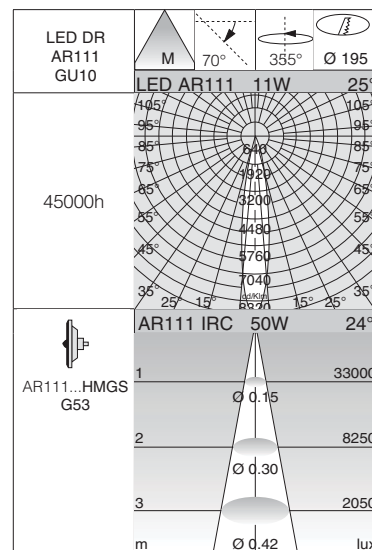
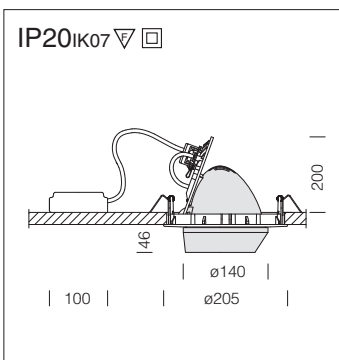
Compendio 1				
		CELL		Lamps (Ta=25°C)
wattage/W	colour	weight	code	Kelvin - ølm - Ra
CDM-T 35	white	1,50	22089510-08	3000K - 3400 lm - Ra 84
CDM-T 35	m. silver	1,50	22089570-08	3000K - 3400 lm - Ra 84
CDM-T 70	white	1,50	22089511-08	3000K - 6200 lm - Ra 83
CDM-T 70	m. silver	1,50	22089571-08	3000K - 6200 lm - Ra 83
CDM-T 150	white	1,80	22089512-08	3000K - 14000 lm - Ra 89
CDM-T 150	m. silver	1,50	22089572-08	3000K - 14000 lm - Ra 89
CDM-R111 70	white	1,50	22089514-00	3000K - 2850lm - Ra 83
CDM-R111 70	m. silver	1,50	22089574-00	3000K - 2850lm - Ra 83
SDW-T 50	m. silver	1,50	22089573-00	2500K - 2300 lm - Ra 83



The LED lights do not come with ultraviolet and infrared components. Version with **RGB** led on request.

Compendio ESALED					
		CLD CELL		LED (Ta=25°C)	
wattage/W (1A)	colour	weight	code	W tot.	Kelvin - ølm 1A - degrees
<b>ESALED 18W</b>	m. silver	1,50	220 <b>89575</b> -00	<b>20</b>	4000 K - 2000 lm - 25°
<b>ESALED 18W</b>	m. silver	1,50	220 <b>89576</b> -00		4000 K - 2000 lm - 10°

On request: 40° and 60° beam angle.



	W	cd	beam
<b>LED AR111</b>	<b>12</b>	3369	25°
<b>AR111/50W</b>	<b>50</b>	4200	24°

Compendio - LED AR111					
		CLD CELL		LED (Ta=25°C)	
wattage/W (1050mA)	colour	weight	code	W tot.	ølm - Kelvin - degrees - CRI
<b>LED AR111</b>	m. silver	1,00	220 <b>89577</b> -00	<b>12</b>	550lm - 3000K - 25°-CRI82



Compendio 2					
		CTL		Lamps (Ta=25°C)	
wattage/W	colour	weight	code	Kelvin - ølm - Ra	
<b>AR111-IRC 50</b>	m. silver	1,20	220 <b>89673</b> -00	3000K - 5500 cd - 4000h	
<b>AR111-IRC 60</b>	m. silver	1,20	220 <b>89674</b> -00	3000k - 7000 cd - 4000h	





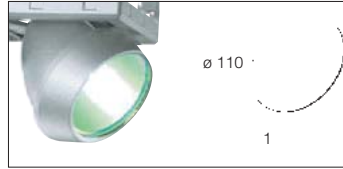
<b>Printed glass</b>	
22005486-00	



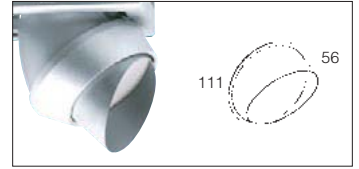
<b>Mesh to dissipate heat</b>	
22005493-00	
According to regulations, the use of a mesh, at a distance of 0.80 metres, produces a temperature decrease of 20°C.	



<b>Coloured filter</b>	
red	22005480-00
yellow	22005481-00
blue	22005482-00
Coloured glass with dichroic treatment. Designed to create evocative light effects.	



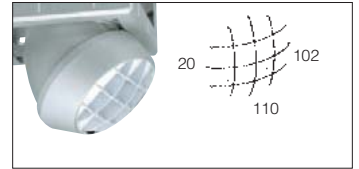
<b>Conveyor</b>	
22005477-00	
To convey the light beam in one direction.	



<b>Matt glass</b>	
22005489-00	
Anti-glare wide-beam matt glass.	



<b>Baffle louvre</b>	
22005478-00	
Made of steel. To reduce glare effects and direct the light beam.	



<b>Medium reflector</b>	
22005487-00	
Medium optical system. Equipped with clear glass. Replaces standard optic unit if required.	



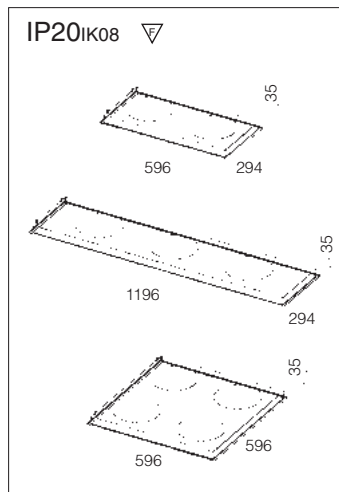
<b>Narrow-beam reflector</b>	
22005488-00	
Narrow-beam optical system. Equipped with clear glass. Replaces standard optic unit if required.	



<b>2-fixture multi-recessed</b>		
2-hole ceiling fixture	m. silver	22005490-00
2-hole ceiling fixture	white	22005495-00
To be used together with Compendio recessed spotlight.		

<b>3-fixture multi-recessed</b>		
3-hole ceiling fixture	m. silver	22005491-00
3-hole ceiling fixture	white	22005496-00
To be used together with Compendio recessed spotlight.		

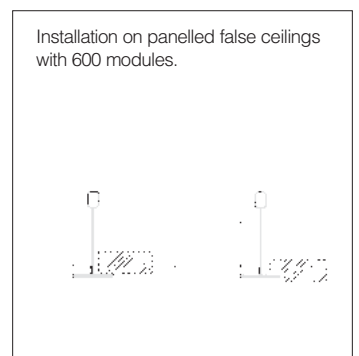
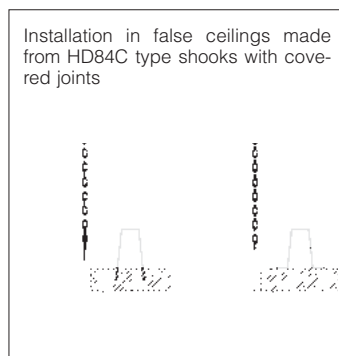
<b>4-fixture multi-recessed</b>		
4-hole ceiling fixture	m. silver	22005492-00
4-hole ceiling fixture	white	22005497-00
To be used together with Compendio recessed spotlight.		



INSTALLATION ON SHOOKS								
power W	A	B	H	C	D	100	100	200
2 holes	294	596	35	271	573	•	•	•
3 holes	294	1196	35	271	1173	•	•	•
4 holes	596	596	35	573	573	•	•	•

INSTALLATION ON PANELS								
power W	A	B	H	C	D	600x600	600x1200	
2 holes	294	596	35	271	573	•		
3 holes	294	1196	35	271	1173		•	
4 holes	596	596	35	573	573	•		

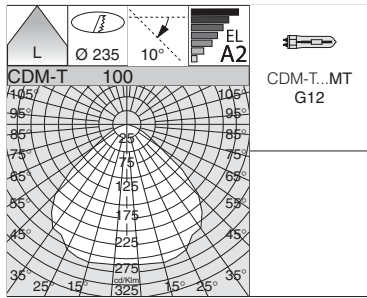






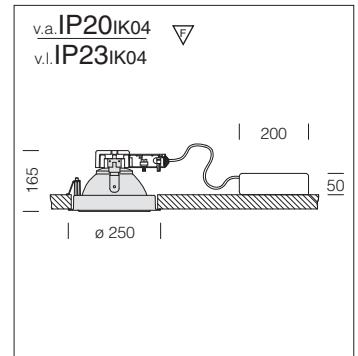


ADJUSTABLE RECESSED  
DOWN LIGHTS



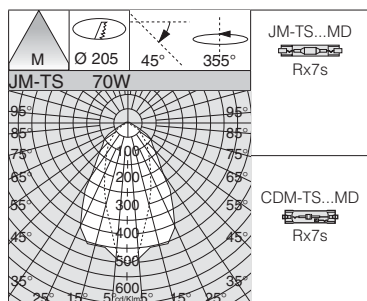
**CDM Elite Lamps:** suitable for shopping centres, ideal for enhancing the goods displayed.

- Maintenance cost reduction
- 10% increase in energy efficiency in contrast with traditional lamps
- Excellent colour rendering (Ra 90)
- Improved light levels (twice as powerful)



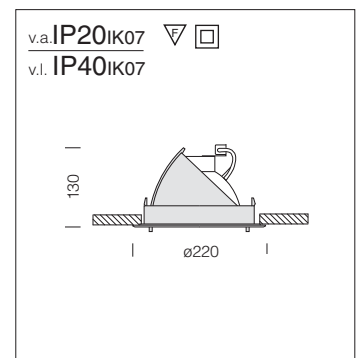
Product also available as a specific version for direct illumination on food.

Mac 2				
		CELL		Lamps (Ta=25°C)
wattage/W	colour	weight	code	Kelvin - ølm - Ra
CDM-T 50 Elite	white	2,50	22187713-08	3000K - 5500lm - Ra 90
CDM-T 50 Elite	m. silver	2,50	22187773-08	3000K - 5500lm - Ra 90
CDM-T 100 Elite	white	2,80	22187714-08	3000K - 11000 lm - Ra 90
CDM-T 100 Elite	m. silver	2,80	22187774-08	3000K - 11000 lm - Ra 90



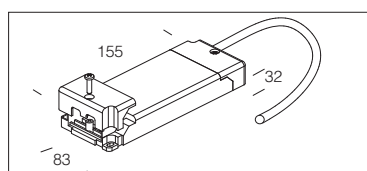
**Excellence Lamps:**

- High efficiency
- Uniform distribution of light
- High luminous flux



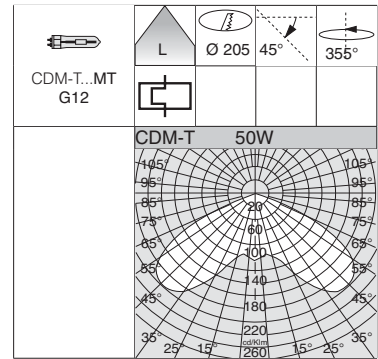
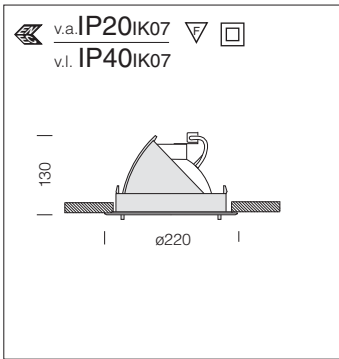
To use with box code 22092013-00.

Corner "TS"				
		S+L		Lamps (Ta=25°C)
wattage/W	colour	weight	code	Kelvin - ølm - Ra
JM-TS 70 EXC	white	0,80	22087415-00	3000K - 6200 lm - Ra 75
CDM-TS 70	white	0,80	22087415-85	3000K - 6600 lm - Ra 1b



Electronic power supply			
wattage/W		B - H - L (mm)	code
JM/CDM 35W	Completed with wire+2-poled plug for a lamp side. To be used with Corner fixture.	83	22092012-00
JM/CDM 50W		32	22092016-00
JM/CDM 70W		155	22092013-00





**Housing:** High-temperature resistant pressed techno-polymer. Ral RAL 9003.

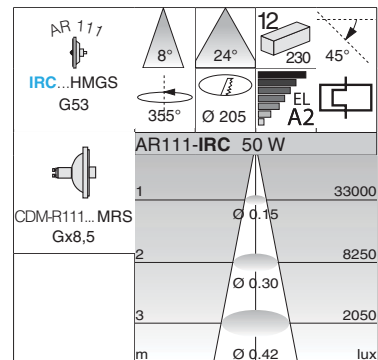
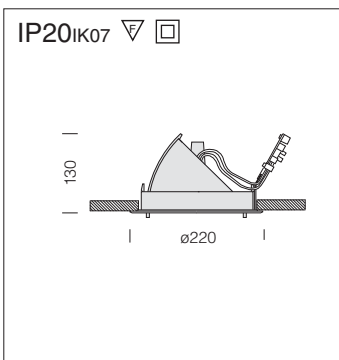
**Reflector:** High-efficiency polished anodised aluminium.

**Diffuser:** Tempered glass protective shield.



Corner "T"				
		S+L		Lamps (Ta=25°C)
wattage/W	colour	weight	code	Kelvin - olm - Ra
CDM-T 35	white	0,70	22087217-00	3000K - 3400 lm - Ra 84
CDM-T 35	m. silver	0,70	22087272-00	
CDM-T 50 Elite	white	0,70	22087214-00	3000K - 5500lm - Ra 90
CDM-T 50 Elite	m. silver	0,70	22087273-00	
CDM-T 70	white	0,70	22087218-00	3000K - 6200 lm - Ra 83
CDM-T 70	m. silver	0,70	22087271-00	

For version CDM-T to use with box code 22092001-00, 22092016-00, 22092011-00.  
W.SON 50W version on request.



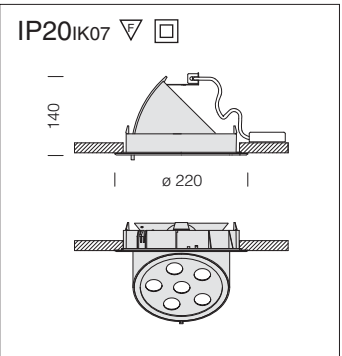
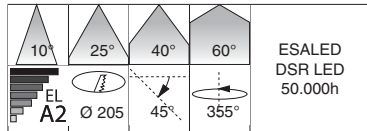
Complete with AR111 anti-glare shielded halogen lamp. Transformer required. 22090826-00, 22090836-00, 22090847-00



Corner						
		S+L		CELL		Lamps (Ta=25°C)
wattage/W	colour	weight	code	weight	code	Kelvin - olm - Ra - degrees
AR111-IRC 50	white	0,40	22087111-00			3000K - 4000h - 3300 cd - 8°
CDM-R111 35	white			0,60	22087412-00	3000K - 1350 lm - Ra 81 - 24°
CDM-R111 70	white			0,60	22087413-00	3000K - 2850 lm - Ra 83 - 24°



LED



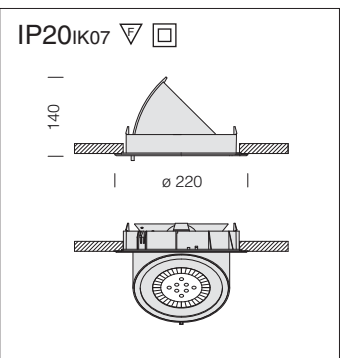
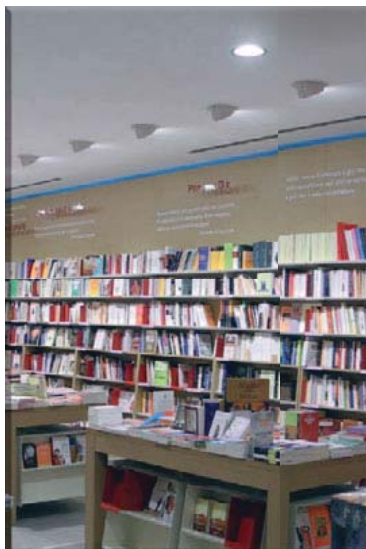
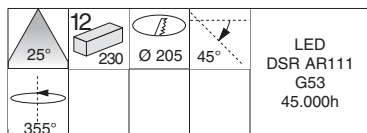
**LED:** high efficiency Esealed type, with heat sink, longer working life, CRI 80 index.

**Corner - ESALED**

wattage/W 1A	colour	CLD CELL		CLD CELLD-DIG	W tot.	LED (Ta=25°C)	
		weight	code	code		K - ølm (1A) - degrees	
ESALED 18W	white	1,00	22087714-00	22087714-1241	20	3000K - 1800lm - 10°	
ESALED 18W	white	1,00	22087710-00			4000K - 2000lm - 10°	
ESALED 18W	white	1,00	22087715-00	22087715-1241		3000K - 1800lm - 25°	
ESALED 18W	white	1,00	22087711-00			4000K - 2000lm - 25°	
ESALED 18W	white	1,00	22087716-00	22087716-1241		3000K - 1800lm - 40°	
ESALED 18W	white	1,00	22087712-00			4000K - 2000lm - 40°	
ESALED 18W	white	1,00	22087717-00	22087717-1241		3000K - 1800lm - 60°	
ESALED 18W	white	1,00	22087713-00			4000K - 2000lm - 60°	



LED

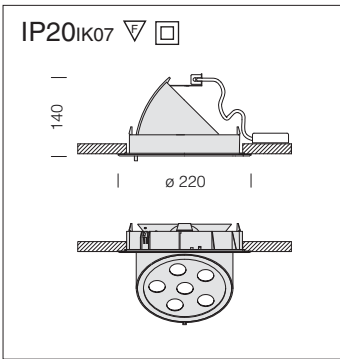


**Corner - MASTERLED AR111**

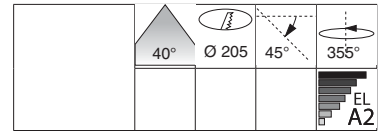
wattage/W	colour	CLD S+L		W tot.	LED (Ta=25°C)	
		weight	code		K - ølm - degrees	
MASTERLED AR111	white	1,00	22087718-00	11	45000h - 3000K - 578lm - CRI 80 - 24°	
MASTERLED AR111	white	1,00	22087700-00	16	45000h - 3000K - 745lm - CRI 82 - 24°	

**Transformer for Masterled 12V**

Type	Output energy power Max (W)	type of control	weight (Kg)	B - H - L	code
HTM 70	70W (x 1-2 Mast. 7W / x 1 Mast. 10W)	IGBT	0.110	52-33-108	22090817-00
HTM 105	105W (x 1-2 Mast. 10W / x 3 Mast. 7W / x 1 Mast. 15W)	IGBT	0.125	52-33-108	22090810-00
HTM 150	150W (x 1-2 Mast. 15W / x 1-3 Mast. 10W / x 4 Mast. 7W)	IGBT	0.125	52-33-108	22090855-00



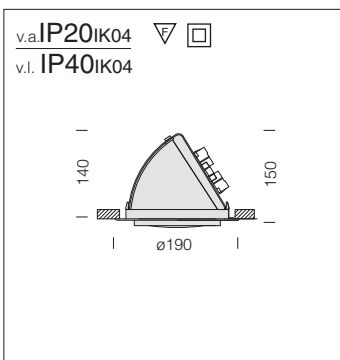
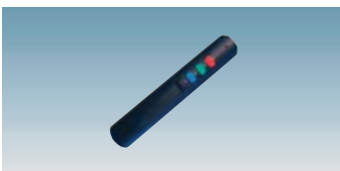
**LED:** high efficiency EsaLED type, with heat sink, longer working life.



Remote control	
22099020-00	
For on/off switching and to regulate colour change programs.	

Corner ESALED FULLCOLOR - MASTER VERSION					
		CLD CELL		LED (Ta=25°C)	
wattage/W	colour	weight	code	W tot.	degrees
ESALED 6x3,2	white	0,70	22087719-00	20	40°

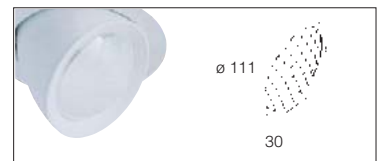
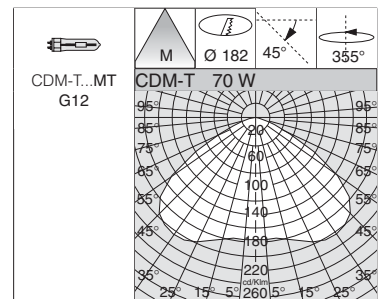
Equipped with IR control. Remote control code 22099020-00 is supplied separately.  
Slave version: code 22087709-00.



**Housing:** Adjustable angle, made of die-cast aluminium. RAL 9010.

**Reflector:** High-efficiency aluminium.

**Diffuser:** Tempered glass protective shield.



Printed glass
22005486-00

Luthor					
		S+L		Lamps (Ta=25°C)	
wattage/W	colour	weight	code	Kelvin - ølm - Ra	
CDM-T 35	white	1,20	22087812-00	3000K - 3400 lm - Ra 84	
CDM-T 35	m. silver	1,20	22087872-00		
CDM-T 70	white	1,20	22087810-00	3000K - 6200 lm - Ra 83	
CDM-T 70	m. silver	1,20	22087870-00		

To use with box cod. 22092001-00, 22092011-00.

Electronic power supply		
wattage/W	colour	code
JM/CDM 35W	white	22092012-00
JM/CDM 70W	white	22092013-00

Completed with wire+2-poled plug for a lamp side.

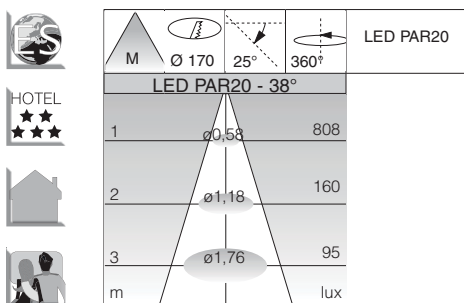




INTERIORS: THE DECORATING LIGHT

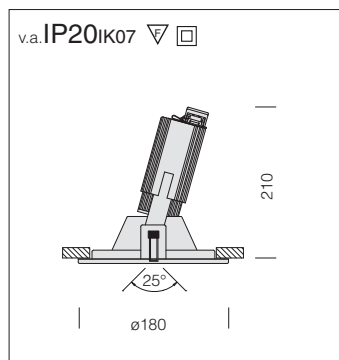
Interior lighting has been undergoing a massive transformation in recent years. Today, the primary objective is to achieve maximum visual comfort that takes on different meanings based on the context in which the lighting fixture is mounted.

In the leisure & hospitality sector (hotels, bars, restaurants) lighting is equally important to create a customised and well recognisable style. Disano and Fosnova, your ideal lighting contract partners, offer a very wide range of spotlights and other lighting solutions for all kinds of settings.



A1  
DIMM

LED



**Housing:** made of aluminium.

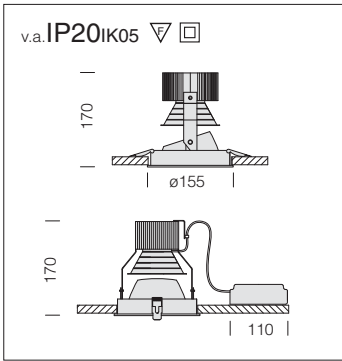
**Reflector:** made of aluminium.

**Equipment:** equipped with with brackets

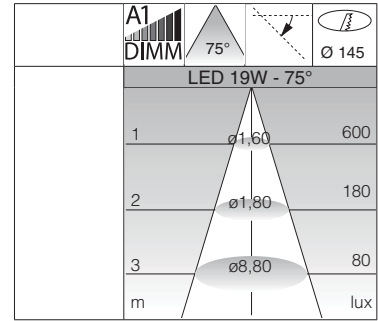
Hotel 9 - LED DIMM - adjustable

		CLD CELL-D			LED (Ta=25°C)	
wattage/W	colour	weight	code	W tot.	Kelvin - ølm - degrees	
LED PAR20	white	0,70	22080115-00	8	2750K - 500lm - 38°	

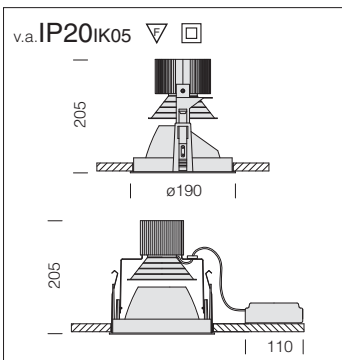




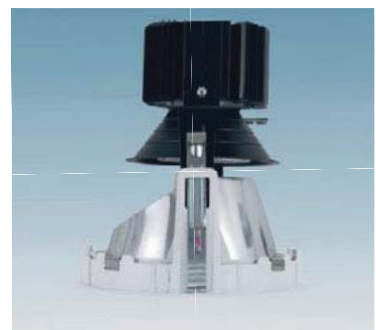
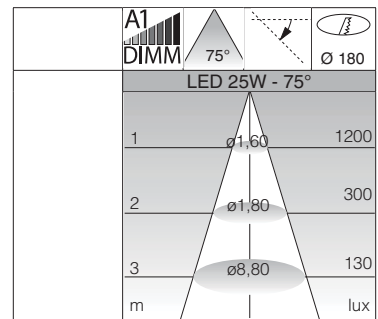
**Housing:** made of aluminium.  
**Reflector:** made of aluminium.  
**Equipment:** equipped with with brackets



Euroma 3 - LED - adjustable					
		CLD CELL-D		W tot.	LED (Ta=25°C)
wattage/W (500mA)	colour	weight	code		Kelvin - ølm - CRI - degrees
LED white 19W	white	0,70	22173919-00	23	3000K - 1800 lm - CRI80 - 75°




**Housing:** made of aluminium.  
**Reflector:** made of aluminium.  
**Equipment:** equipped with with brackets

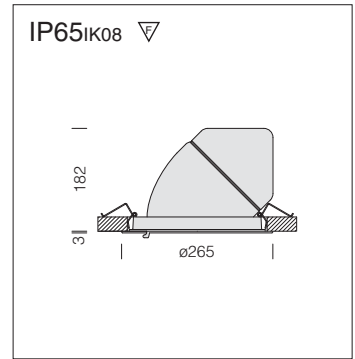


Euroma 4 - LED - adjustable					
		CLD CELL-D		W tot.	LED (Ta=25°C)
wattage/W (700mA)	colour	weight	code		Kelvin - ølm - CRI - degrees
LED white 25W	white	1,00	22174010-00	28	3000K - 2200 lm - CRI80 - 75°






M	L	50°	ALO 50 GY 6.35
Ø 245	355°	B2	
ALO 50 W			ALO...HAGS E 27
95° 85° 75° 65° 55° 45° 35°		185° 325° 455° 585° 715°	FLC-D...FSQ G24d-1
25° 15° 5°	845°	5° 15° 25°	

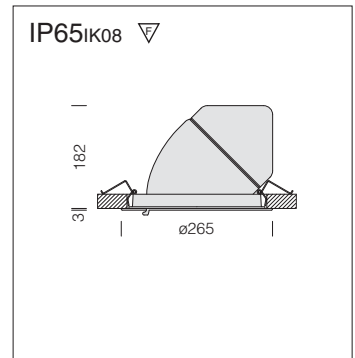


**Housing:** Adjustable angle, made of die-cast aluminium.  
**Reflector:** High-efficiency polished anodised aluminium.  
**Diffuser:** Tempered glass protective shield.

King								
		CTL		S+L		CNRL		Lamps (Ta=25°C)
wattage/W	colour	weight	code	weight	code	weight	code	Kelvin - ølm - Ra
ALO 50 ES	white	3,00	22085111-00					3000K - 4000h - 1180 lm
ALO 50 ES	m. silver	3,00	22085179-00					
ALO 70	white			3,00	22085212-00			2900K - 2000h - 1200 lm
ALO 70	m. silver			3,00	22085278-00			
FLC-D 13	white					3,40	22085414-00	3000K - 900 lm - Ra 1b
FLC-D 13	m. silver					3,40	22085476-00	



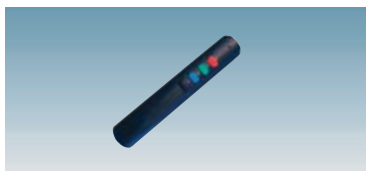
40°	Ø 245	355°	50°	ESALED
EL A2				



**Housing:** Adjustable angle, made of die-cast aluminium.

LED

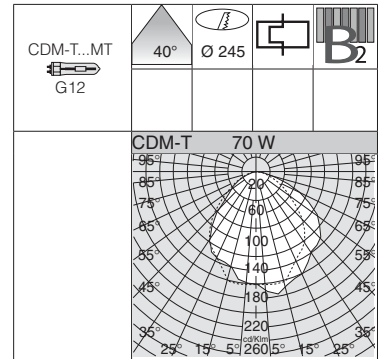
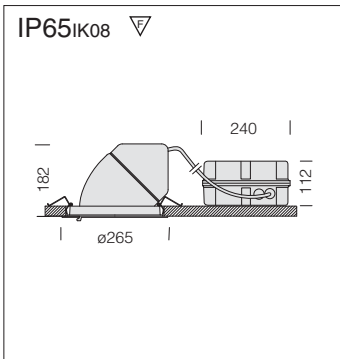
Remote control
22099020-00
For on/off switching and to regulate colour change programs.



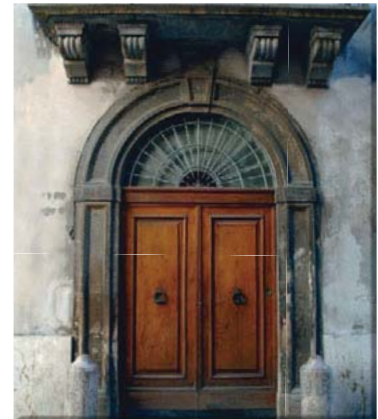
King - ESALED FULLCOLOR - MASTER VERSION					
		CLD CELL		W tot	LED (Ta=25°C)
wattage/W (350mA)	colour	weight	code		ølm (350mA) - degrees
ESALED Fullcolor 6x3,2W	white	6,00	22085612-00	20	40°
ESALED Fullcolor 6x3,2W	m. silver	6,00	22085672-00		
Remote control code 22099020-00 is supplied separately. Slave version: code 22085614-00 (white) - code 22085674-00 (m. silver).					

King - ESALED					
		CLD CELL		W tot	LED (Ta=25°C)
wattage/W (700mA)	colour	weight	code		ølm (700mA) - degrees
ESALED 13W	white	6,00	22085613-00	14	3000K - 1260lm - 40°
ESALED 13W	m. silver	6,00	22085673-00		

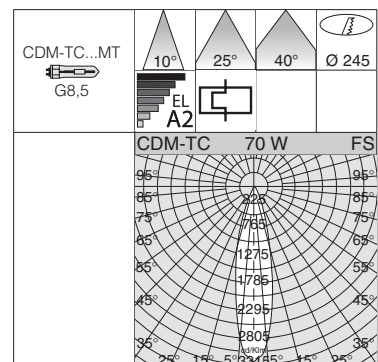
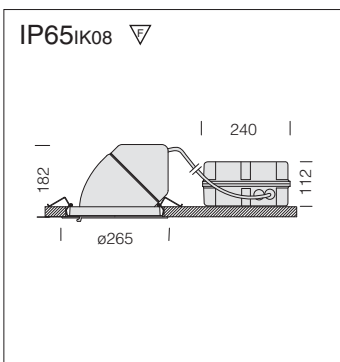




**Housing:** Adjustable angle, made of die-cast aluminium.  
**Reflector:** High-efficiency polished anodised aluminium.  
**Diffuser:** Tempered glass protective shield.



King - CDM-T				
		CELL		Lamps (Ta=25°C)
wattage/W	colour	weight	code	Kelvin - ølm - Ra
CDM-T Elite 50	white	5,20	22085315-00	3000K - 5500 lm - Ra 90
CDM-T Elite 50	black	5,20	22085335-00	
CDM-T Elite 50	m. silver	5,20	22085375-00	
CDM-T Elite 100	white	5,90	22085316-00	3000K - 11000 lm - Ra 90
CDM-T Elite 100	black	5,90	22085336-00	
CDM-T Elite 100	m. silver	5,90	22085376-00	



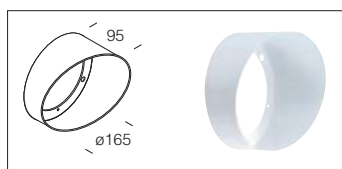
**Housing:** Adjustable angle, made of die-cast aluminium.  
**Reflector:** High-efficiency polished anodised aluminium.  
**Diffuser:** Tempered glass protective shield.



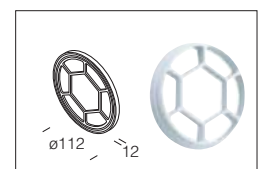
King - CDM-TC				
		CELL		Lamps (Ta=25°C)
wattage/W	colour	weight	code	Kelvin - ølm - Ra
CDM-TC - FS 70	white	4,30	22085510-00	3000K - 6500 lm - Ra 83 - 10°
CDM-TC - FM 70	white	4,30	22085511-00	3000K - 6500 lm - Ra 83 - 25°
CDM-TC - FL 70	white	4,30	22085512-00	3000K - 6500 lm - Ra 83 - 40°

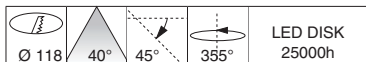
Conveyor ø mm 165	
white	22005321-00
black	22005331-00

Made of steel. Conveys the light beam in a single direction.

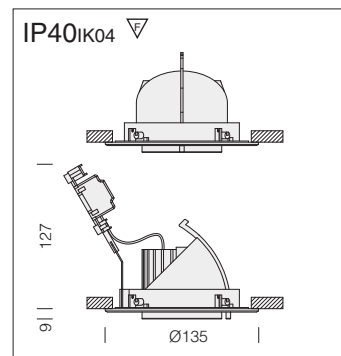


Frame	
white	22091017-00
black	22091002-00





LED

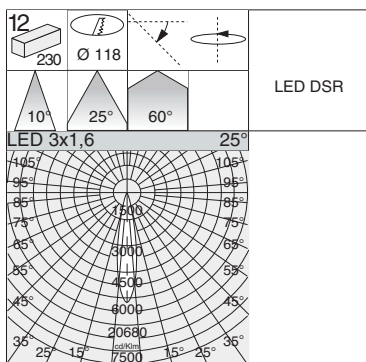


Series of vertically and horizontally adjustable recessed spotlights. Easy to replace lamp; after inspecting the removable parts, the transformer can be replaced through the outer ring hole.

**Housing:** Die-cast zamak, with a steel bracket holding the terminal block. Supplied with springs for recessed mounting.

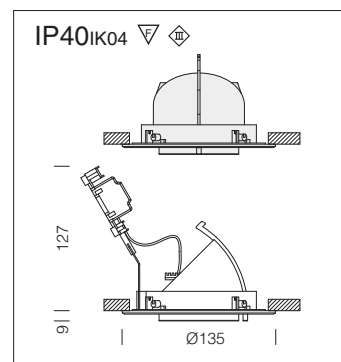
**Equipment:** With springs for false ceilings (max. 30mm).

Sylon - LED DISK					
		CLD CELL		LED (Ta=25°C)	
wattage/W	colour	weight	code	W tot.	Kelvin - h - ølm - CRI - degrees
LED Disk	white	0,80	22086314-00	14,5	2700K - 25000h - 820lm - CRI 90 - 85°



LED

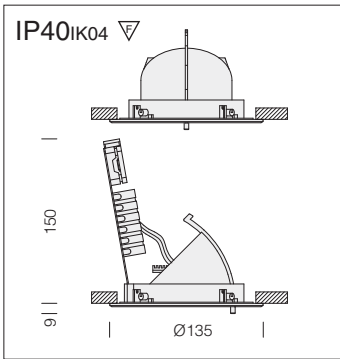
**Connections and Accessories:** possible regulation by normally open button or 0-10V dimming ballast.



**Power led with triple lens:** working temperature -30°C to 50°C. Available in three monochrome versions. A POWER LED has a working life of approximately 50,000 (350mA) hours at its maximum working temperature.

Sylon - POWER LED 3000 K - Professional									
		CLD S+L			CLD S+L		CLD S+L		LED (Ta=25°C)
wattage/W (500mA)	colour	weight	code	degrees	code	degrees	code	degrees	W tot. Kelvin - ølm 500mA
LED bia 3x1,6W	white	0,50	22086310-00	10°	22086313-00	25°	22086316-00	60°	4,8 3000K - 450lm
LED bia 3x1,6W	chrome	0,50	22086360-00	10°	22086363-00	25°	22086366-00	60°	
LED bia 3x1,6W	m. silver	0,50	22086370-00	10°	22086373-00	25°	22086376-00	60°	
LED bia 3x1,6W	brass	0,50	22086390-00	10°	22086393-00	25°	22086396-00	60°	

Sylon - POWER LED 4000K - Professional									
		CLD S+L			CLD S+L		CLD S+L		LED (Ta=25°C)
wattage/W (500mA)	colour	weight	code	degrees	code	degrees	code	degrees	W tot. Kelvin - ølm 500mA
LED bia 3x1,6W	white	0,50	22086311-00	10°	22086415-00	25°	22086317-00	60°	4,8 4000K - 570lm
LED bia 3x1,6W	chrome	0,50	22086361-00	10°	22086465-00	25°	22086367-00	60°	
LED bia 3x1,6W	m. silver	0,50	22086371-00	10°	22086475-00	25°	22086377-00	60°	
LED bia 3x1,6W	brass	0,50	22086391-00	10°	22086491-00	25°	22086397-00	60°	



**Power led triple lens rgb:**

Round LED module consisting of led lights with in-built lens; particularly suitable for detail-enhancing and decorative lighting and for the creation of luminous colour effects.

LED with three built-in lenses and three LED lights, 3.3W, 350mA (red, green, blue).

All three LED lights emit white light when switched on together. Different colours can be obtained by regulating the power supply of each single LED. Working temperature: -30°C to 75°C. Available in three RGB versions, beam angle: 6°, 30°, 40°.

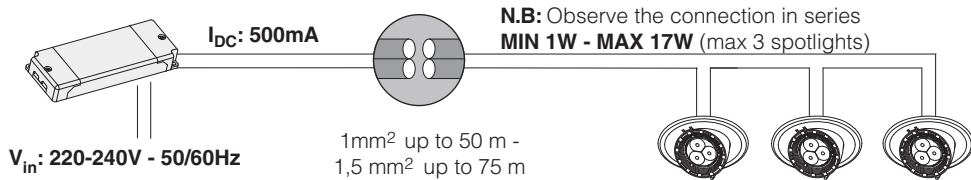
Sylon - POWER LED RGB					
		CLD S+L		W tot.	LED (Ta=25°C)
wattage/W (350mA)	colour	weight	code	3,3	ølm 350mA
LED RGB 3,3W	white	0,50	22086413-00		R 28 - G 48 - B 12
LED RGB 3,3W	chrome	0,50	22086466-00		
LED RGB 3,3W	m. silver	0,50	22086476-00		
LED RGB 3,3W	brass	0,50	22086492-00		

Use power supply code 22090870-00, to power up to 9 RGB spotlights.  
 To supply other 9 spotlights RGB in sync with MASTER, acquire SLAVE cod 22090871-00.  
 Remote control code 22099020-00 is supplied separately.  
 Possibility of DMX System cod. 22090876-00.

**POWER LED CONNECTIONS**

**COD. 22090890-00 (500mA)**  
Power supply LED

To power POWER LED white 3x1,6W - 500mA in series (max 3 spotlights) utilize LED power supply code 22090890-00.



**N.B:** Observe the connection in series  
**MIN 1W - MAX 17W** (max 3 spotlights)

Code	VOLTAGE	CURRENT I <sub>DC</sub>	min. no. spot	max no. spot	W
22090890-00	220-240V 50/60Hz 6-26V	500mA	1	3	16,8
22090834-00	<b>DIMMABLE 1-10V</b>	500mA / 700mA	1	2	18,0
22090837-1241	<b>DIMMABLE DALI</b>	500mA	1	3	16,8

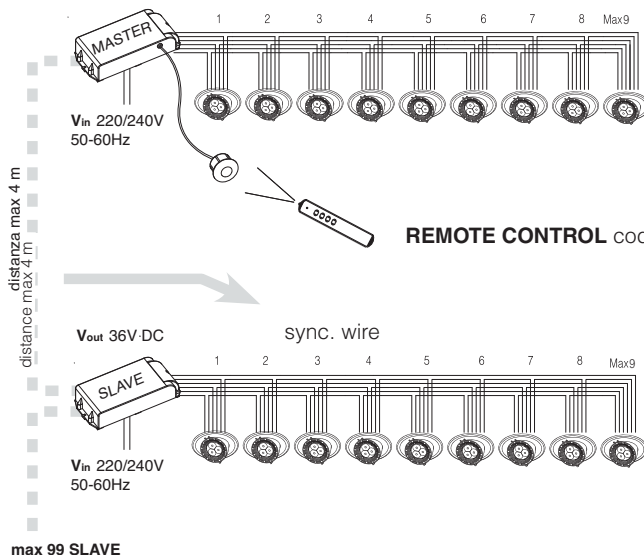
**POWER LED RGB CONNECTIONS**

**BASE SYSTEM**  
**CODE 22090870-00**  
Master + IR Receiver

Three-channel professional colour control module for LED RGB. Dimmable option supplied separately for each channel through IR remote control (code 22099020-00).

**CODE 22090871-00**  
Slave

A SLAVE and power supply should be purchased to use 9 more spotlights in sync with the MASTER, (code 22090871-00). Can be operated using 1 MASTER and 99 SLAVES.



1mm² up to 50 m -  
1,5 mm² up to 75 m

**REMOTE CONTROL** code 22099020-00

1mm² up to 50 m -  
1,5 mm² up to 75 m

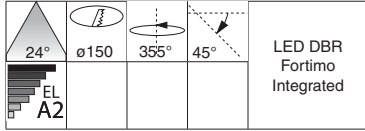
**N.B:** Must maintain sequence connection  
**Minimum load 4W/channel**  
**(max 9 RGB)**

code
22090870-00
22090871-00





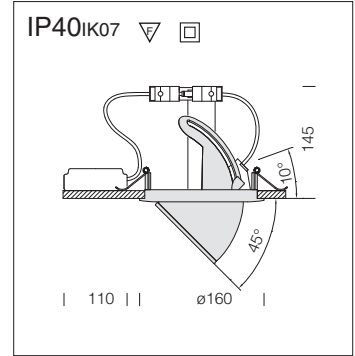
LED



**LED DBR Fortimo Integrated**

**Integrated Fortimo:** the new LED module is extremely easy to design and is a convenient alternative to low-voltage 50 W halogen lamps.

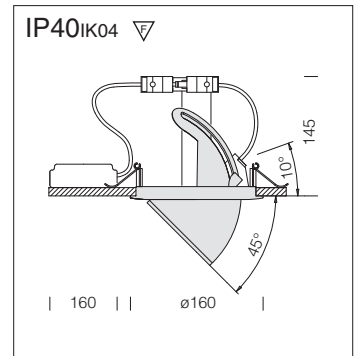
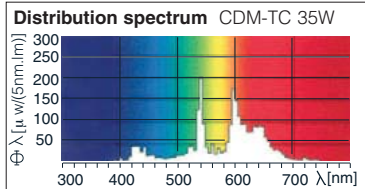
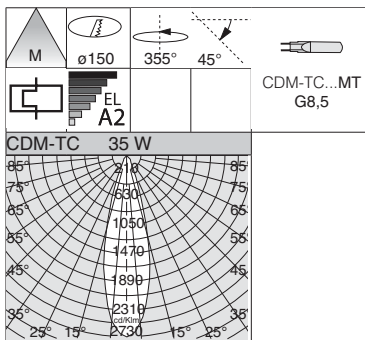
- Driver (230V AC), built-in optics and heat sink
- High quality light with excellent colour rendering (CRI> 80)
- Available in 2700, 3000 and 4000 colour temperature
- Available with 15, 24 and 36° beam angles
- High energy-efficiency combined with long service life (> 25,000 hours).



Corner 160 - FORTIMO INTEGRATED				
		CLD CELL		LED (Ta=25°C)
wattage/W)	colour	weight	code	Kelvin - ølm - CRI
Fortimo integrated	m. silver	1,50	22087971-00	3000K - 675 lm - 24° - CRI 80

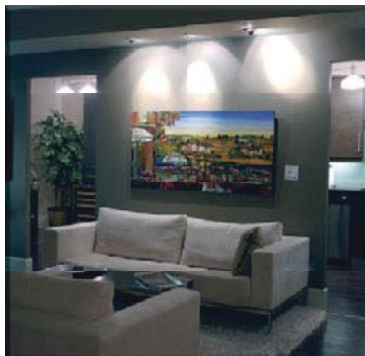


LED

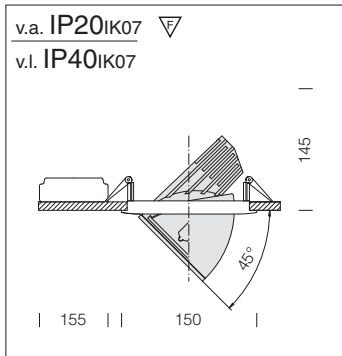


With lamp and power supply. With lamp and transformer. The housing adjusts from -10° to 45°. Power saving lamps provide a luminous efficiency 11% more than traditional ones.

**Reflector:** High-efficiency prismatic and polished aluminium.



Corner 160 - F				
		CELL		Lamps (Ta=25°C)
wattage/W	colour	weight	code	Kelvin - ølm - Ra
CDM-TC Elite 50	white	1,00	22088112-00	3000K - 5500lm - Ra 90
CDM-TC Elite 50	m. silver	1,00	22088172-00	
CDM-TC Elite 70	white	1,00	22088212-00	3000K - 7800 lm - Ra 90
CDM-TC Elite 70	m. silver	1,00	22088272-00	

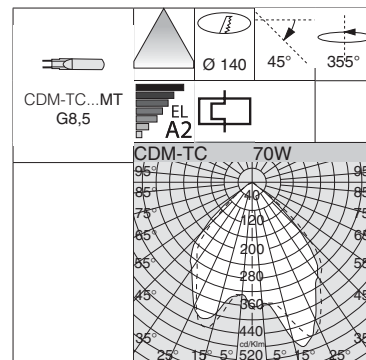


Series of recessed adjustable angle floodlights. Designed to address the growing need for lighting solutions in shopping centres and shop windows, where the luminous flux has to be directed according to the products displayed.

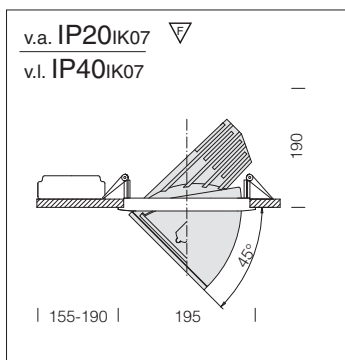
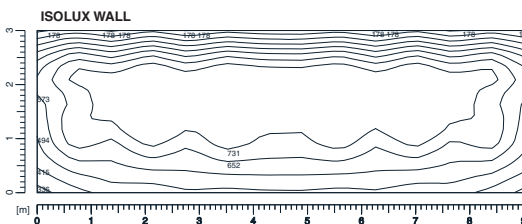
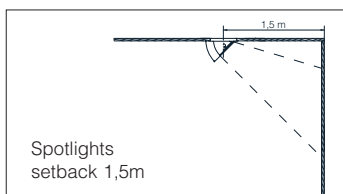
**Housing:** Die-cast aluminium.

**Reflector:** High-efficiency polished anodised aluminium.

**Diffuser:** Tempered glass protective shield.

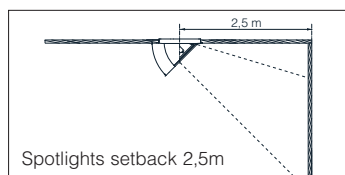
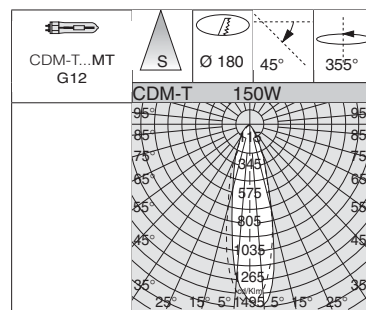


Eta 1					
		CELL		Lamps (Ta=25°C)	
wattage/W	colour	weight	code	Kelvin - ølm - Ra	
CDM-TC 35	white	1,00	22176013-00	3000K - 3300 lm - Ra 81	
CDM-TC 70	white	1,20	22176017-00	3000K - 6600 lm - Ra 83	



**CDM Elite Lamps:**

- Maintenance cost reduction
- 10% increase in energy efficiency in contrast with traditional lamps
- Excellent colour rendering (Ra 90)
- Improved light levels (twice as powerful)

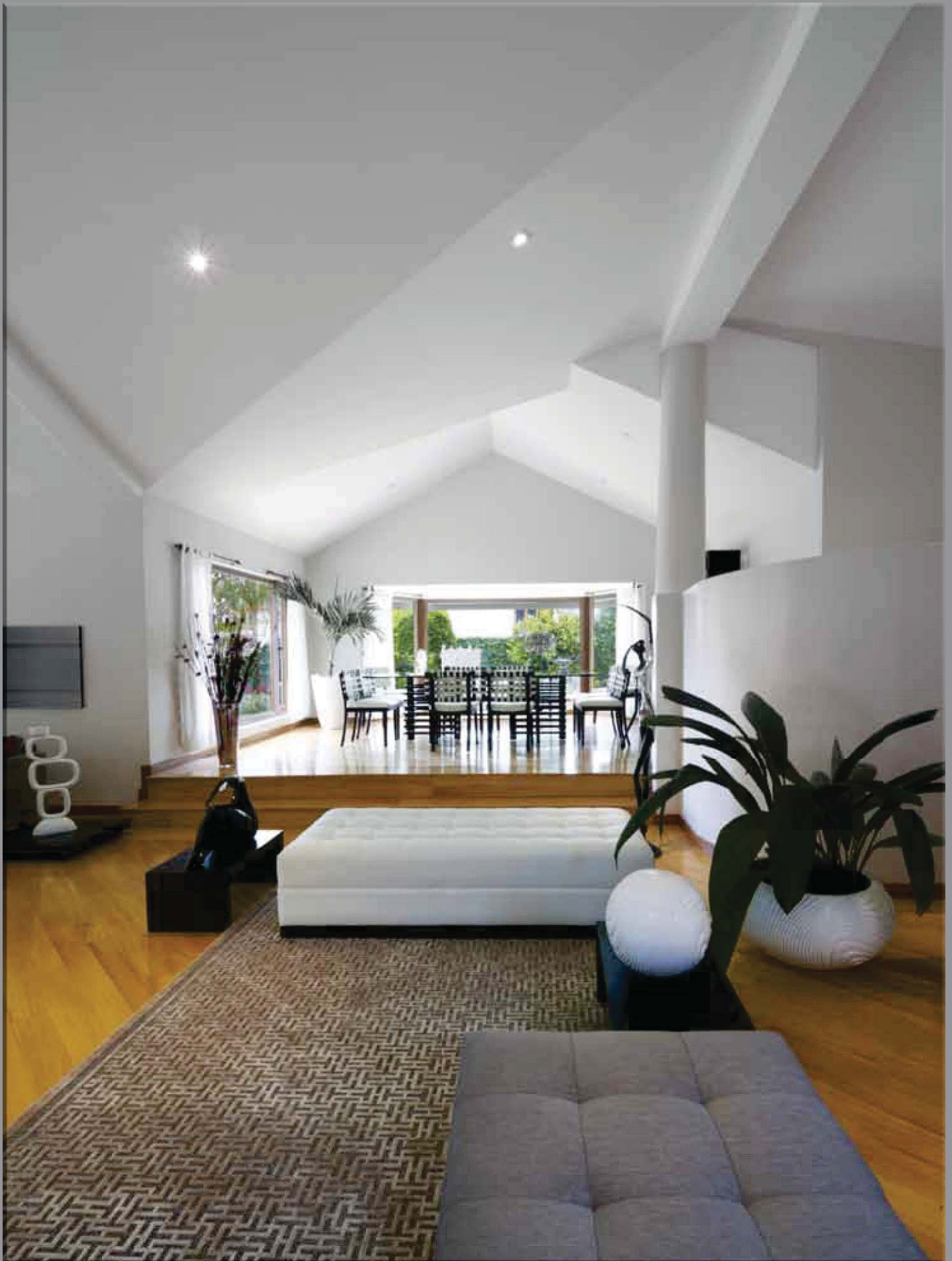


Eta 2						
		CELL		S+L	Lamps (Ta=25°C)	
wattage/W	colour	weight	code	weight	code	Kelvin - ølm - Ra
CDM-T 150	white	1,80	22176116-00			3000K-14000lm-Ra85
CDM-T 150	white			1,80	22176114-00	
CDM-T Elite 100	white	1,80	22176112-00			3000K-11000lm-Ra90

Version S+L without box code 22092021-00

Gear box Δt 50		
CNR		
W	weight	code
CDM 150	2.50	22092021-00

Thermoplastic box V0. Tc ≤ 95°C when it normally works, Tc ≤ 105°C in malfunction condition. Complete with igniter, ballast, capacitor, 3-poled terminal block and thermal protection.





**“LOW GLARE”  
EFFICIENCY AND PERSONALITY**

Flexibility, saving and light quality. These are the strengths of this new downlight with latest generation 7W LEDs. In addition to colour temperatures ranging between 2750K and 4000K, it has a long service life (50.000 hours) and excellent luminous flux maintenance. Anti-glare, screened optics without UV emissions are important elements for the lighting of stores, showrooms and commercial centres.

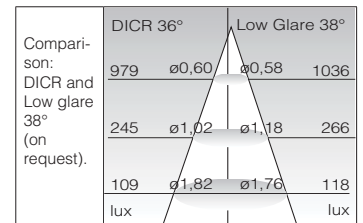
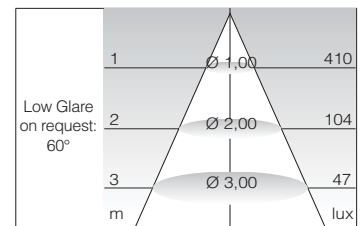
ADJUSTABLE RECESSED  
DOWN LIGHTS





- High light output
  - Lower lamp wattages means greater economy, more than 80% saving
  - Compatible with the most common dimming devices (for example, with halogen lights)
  - Fully assembled and ready to be installed
  - Three light colours: 2750/3000/4000K
  - 7W LED, SHARP chip
- Easy to use. An easy solution to upgrade old halogen lamps.
- Universally applicable, suitable to replace downlights with cut out diameters ranging from 70mm to 100mm.

Housing: made in aluminum adjustable with springs.



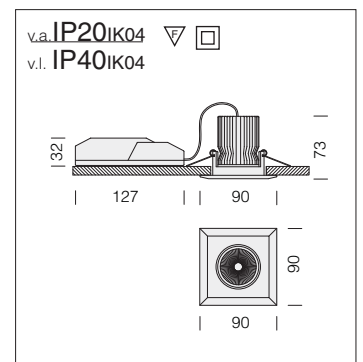
LED DSR Low glare	
LED Sharp 7W 38°	
1	Ø 0,58 1036
2	Ø 1,18 266
3	Ø 1,76 118
m	lux

min - Ø65  
max - Ø80

50.000 h



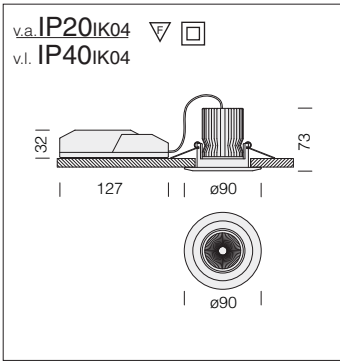
LED



Can be installed in a hole at least up to Ø65 to Ø80.

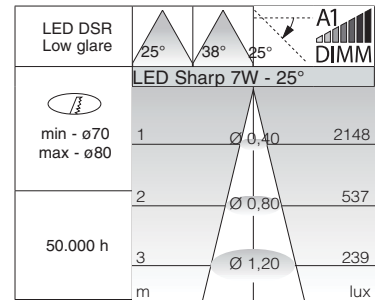
Low Glare 3 - square - DIMM					
		CLD CELL-D		LED (Ta=25°C)	
wattage/W (660mA)	colour	weight	code	W tot.	Kelvin - Ølm (660mA) - CRI - degrees
LED Sharp 7W	white	0,40	22066811-00	11	3000K - 700lm - CRI>80 - 38°
LED Sharp 7W	alu. sat. nat.	0,40	22066871-00	11	3000K - 700lm - CRI>80 - 38°





Can be installed in a hole at least 70 mm up to Ø 80.

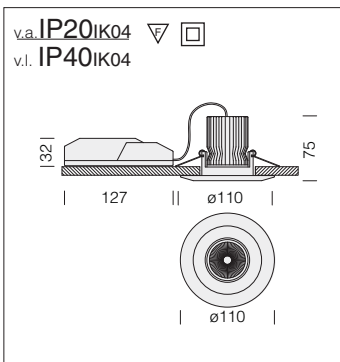
38°: with sub-code -0089  
60°: with sub-code -0032



3h emergency version.

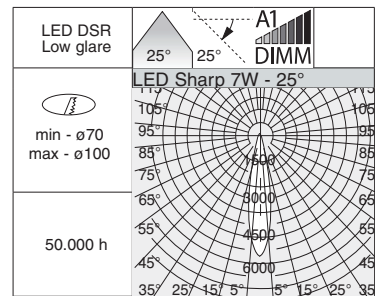


Low Glare 2 - DIMM						
		CLD CELL-D		CLD CELLD-E		LED (Ta=25°C)
wattage/W (660mA)	colour	weight	codev	code	W tot.	Kelvin - ølm (660mA) - degrees
LED Sharp 7W	alu. sat. nat.	0,30	22061472-00	22061472-09	11	2750K - 689lm - CRI>80 - 25°
LED Sharp 7W	white	0,30	22061412-00	22061412-09		3000K - 700lm - CRI>80 - 25°
LED Sharp 7W	alu. sat. nat.	0,30	22061477-00	22061477-09		3000K - 700lm - CRI>80 - 38°
LED Sharp 7W	white	0,30	22061417-00	22061417-09		4000K - 726lm - CRI>80 - 25°
LED Sharp 7W	alu. sat. nat.	0,30	22066777-00	22066777-09		
LED Sharp 7W	white	0,30	22066717-00	22066717-09		
LED Sharp 7W	alu. sat. nat.	0,30	22061479-00	22061479-09		
LED Sharp 7W	white	0,30	22061419-00	22061419-09		



Can be installed in a hole at least up to ø70 to ø100.

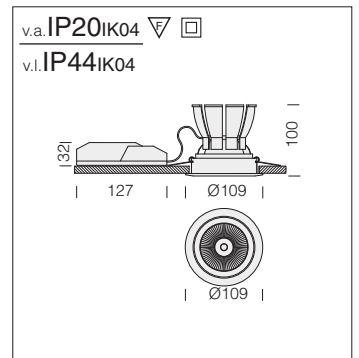
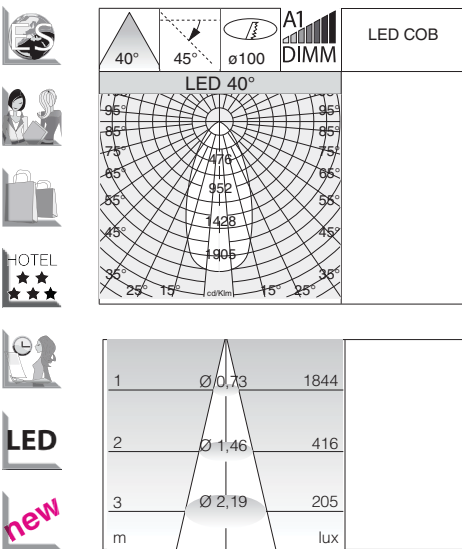
25°: with sub-code -0031  
60°: with sub-code -0032



Low Glare 1 : equipped with ring adapter to ensure better sealing



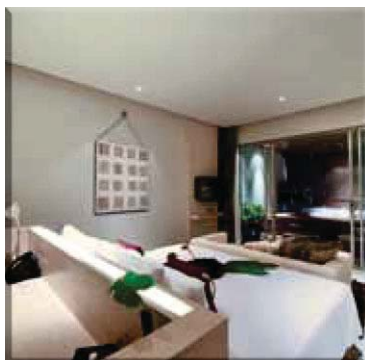
Low Glare 1 - DIMM						
		CLD CELL-D		CLD CELLD-E		LED (Ta=25°C)
wattage/W (660mA)	colour	weight	code	code	W tot.	Kelvin - ølm (660mA) - degrees
LED Sharp 7W	alu. sat. nat.	0,30	22061475-00	22061475-09	11	2750K - 689lm - CRI>80 - 38°
LED Sharp 7W	white	0,30	22061415-00	22061415-09		3000K - 700lm - CRI>80 - 38°
LED Sharp 7W	alu. sat. nat.	0,30	22061470-00	22061470-09		4000K - 726lm - CRI>80 - 38°
LED Sharp 7W	white	0,30	22061410-00	22061410-09		
LED Sharp 7W	alu. sat. nat.	0,30	22061474-00	22061474-09		
LED Sharp 7W	white	0,30	22061414-00	22061414-09		



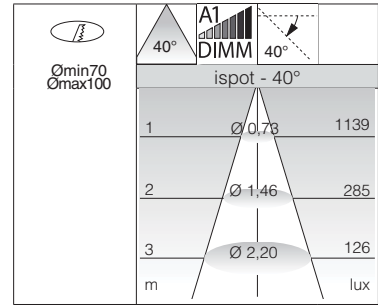
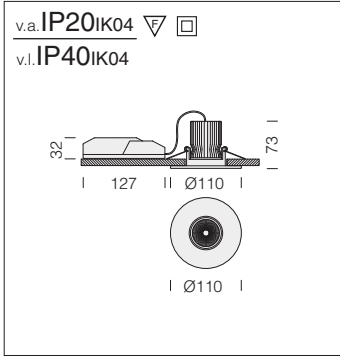
**Housing:** Adjustable angle, made of die-cast aluminium.

**Reflector:** high-efficiency prismatic and polished aluminium.

**Standard:** 1-10V dimmable

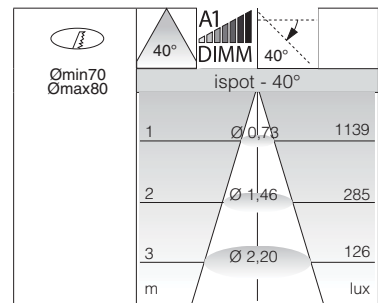
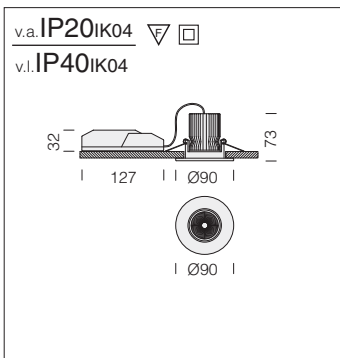


Logan - COB system - DIMM					
		CLD CELL-D		W tot.	LED (Ta=25°C)
wattage/W (350mA)	colour	weight	code		Kelvin - ølm - CRI - degrees
LED 12W	white	0,35	22067810-00	15	3000 K - 1150 lm - CRI 80 - 40°
LED 12W	white	0,35	22067811-00		4000 K - 1170 lm - CRI 80 - 40°



**Housing:** Adjustable angle, made of die-cast aluminium.  
**Reflector:** high-efficiency prismatic and polished aluminium.  
Universally applicable, suitable to replace downlights with cut out diameters ranging from 70mm to 100mm

iSpot 1 - COB system - DIMM					
		CLD CELL-D		W tot.	LED (Ta=25°C)
wattage/W	colour	weight	code		Kelvin - ølm - CRI - degrees
LED 10W	white	0,20	22067310-00	12	3000 K - 800 lm - CRI 80 - 40°
LED 10W	s. silver	0,20	22067370-00		



**Housing:** Adjustable angle, made of die-cast aluminium.  
**Reflector:** high-efficiency prismatic and polished aluminium.  
Universally applicable, suitable to replace downlights with cut out diameters ranging from 70mm to 80mm

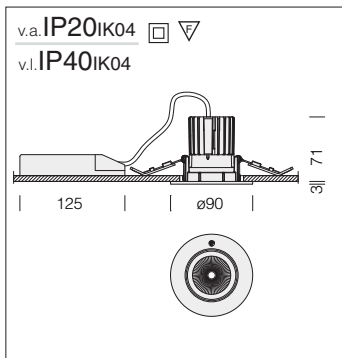
iSpot 2 - COB system - DIMM					
		CLD CELL-D		W tot.	LED (Ta=25°C)
wattage/W	colour	weight	code		Kelvin - ølm - CRI - degrees
LED 10W	white	0,20	22067210-00	12	3000 K - 800 lm - CRI 80 - 40°
LED 10W	s. silver	0,20	22067270-00		
LED 10W	chrome	0,20	22067260-00		



On request: square version in chrome-plated





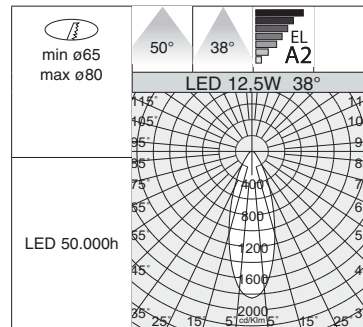
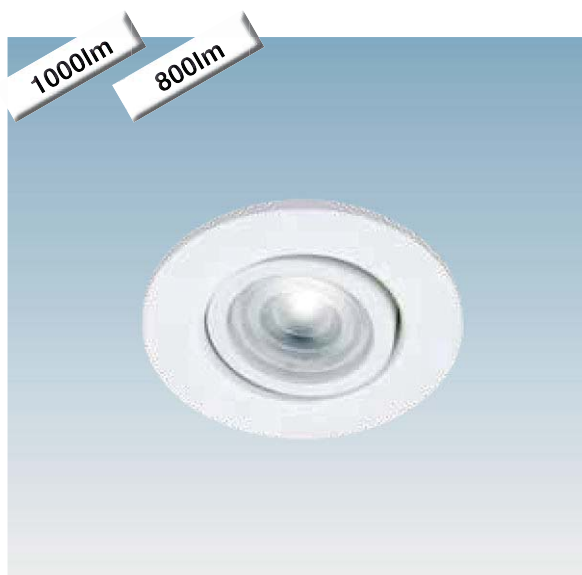


**Housing:** in die-cast aluminium.

**Heat sink:** passive, pressed in die-cast aluminium with lateral outputs allowing for greater circulation of heat to ensure an extended life of the LED module.

**Lens:** injection moulded PMMA with high efficiency output and very low glare rate

**On request:** available with dimming electronic driver: IGBT, 1/10V, DALI; LED with CRI 90-97.

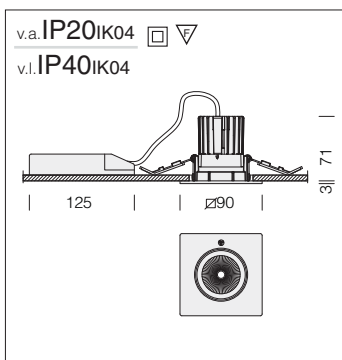


On request: 500mA	
w tot.	ølm
9W	832 lm

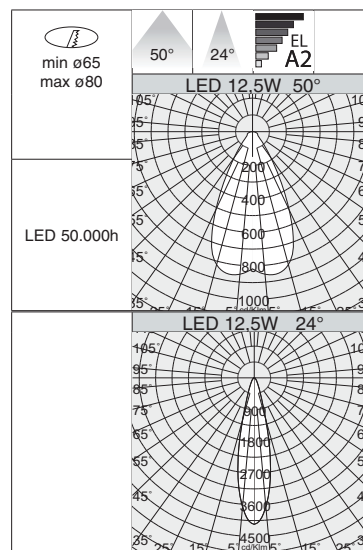
On request: 900mA	
W tot.	ølm
17 W	1270 lm

Sun τ						
		CLD CELL			LED (Ta=25°C)	
wattage/W (700mA)	colour	weight	code	W tot	Kelvin - ølm (700mA) - CRI - dregrees	
LED 12,5W	white	0,30	22066311-00	15	3000K - 1063lm - CRI 80 - 38°	
LED 12,5W	white	0,30	22066312-00		3000K - 1063lm - CRI 80 - 50°	
LED 12,5W	silver	0,30	22066361-00		3000K - 1063lm - CRI 80 - 38°	
LED 12,5W	silver	0,30	22066362-00		3000K - 1063lm - CRI 80 - 50°	
<b>On request:</b> beam angle 24°.						

LED 11W	white	0,30	22066314-00	59,00	12	3000K - 800lm - CRI 80 - 38°
LED 11W	white	0,30	22066315-00	59,00		3000K - 800lm - CRI 80 - 60°



**LED life:** 50.000h.



On request: 500mA	
w tot.	ølm
9W	832 lm

On request: 900mA	
W tot.	ølm
17 W	1270 lm

Sun q						
		CLD CELL			LED (Ta=25°C)	
wattage/W (700mA)	colour	weight	code	W tot	Kelvin - ølm (700mA) - CRI - dregrees	
LED 12,5W	white	0,30	22066610-00	15	3000K - 1063lm - CRI 80 - 24°	
LED 12,5W	white	0,30	22066612-00		3000K - 1063lm - CRI 80 - 50°	
LED 12,5W	silver	0,30	22066660-00		3000K - 1063lm - CRI 80 - 24°	
LED 12,5W	silver	0,30	22066662-00		3000K - 1063lm - CRI 80 - 50°	
<b>On request:</b> beam angle 38°.						

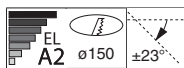




**Housing:** in die cast aluminium. Optic box with tempered clear glass. Adjustability: from +23° to -23°.

**Coating:** Fluid-coated with a humidity resistant, UV-stabilised acrylic-resin paint, after a chromate treatment.

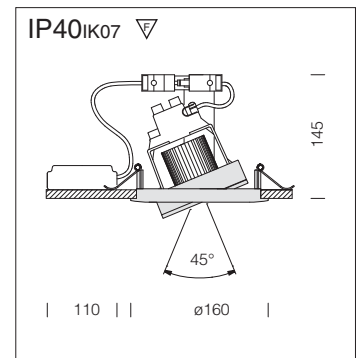
**Equipment:** With separate electric gear box. Supplied with flush springs from 1mm up to 20mm.



LED DBR  
Fortimo  
Integrated



LED

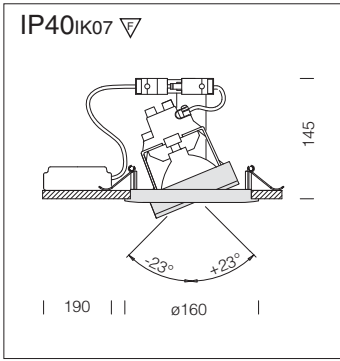


**Integrated Fortimo:** the new LED module is extremely easy to design and is a convenient alternative to low-voltage 50 W halogen lamps.

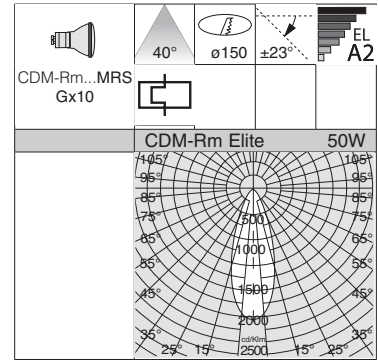


- Driver (230V AC), built-in optics and heat sink
- High quality light with excellent colour rendering (CRI > 80)
- Available in 2700, 3000 and 4000 colour temperature
- Available with 15, 24 and 36° beam angles
- High energy-efficiency combined with long service life (> 25,000 hours).

Lotus LED - Fortimo Integrated				
		CLD CELL		LED (Ta=25°C)
wattage/W	colour	weight	code	Kelvin - ølm - CRI - degrees
Fortimo integrated	white	1,00	22088514-00	3000K - 675lm - CRI 80 - 24°
Fortimo integrated	m. silver	1,00	22088574-00	



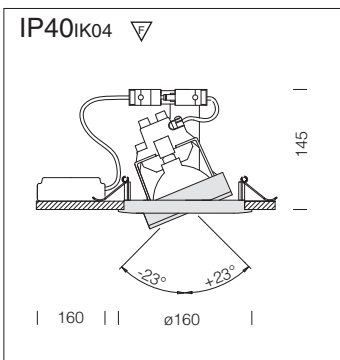
CDM-R Mini 50: 25° e 60° on request.



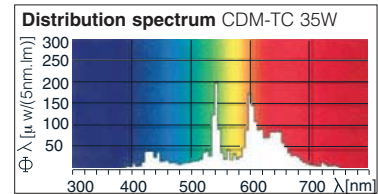
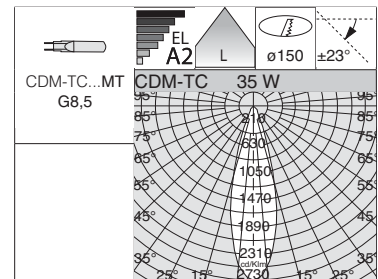
Lotus 5				
		CELL		Lamps (Ta=25°C)
wattage/W	colour	weight	code	Kelvin - cd - Ra - degrees
CDM-Rm Elite 50	m. silver	0,70	22088571-00	3000K - 5100 cd - Ra 90 - 40°

Adjustability: from +23° to -23°. CDM-R Mini 50: 25° e 60° on request.

**CDM-R Mini** saves up to 60% more energy than halogen lamps. It offers higher energy yield and excellent colour stability.



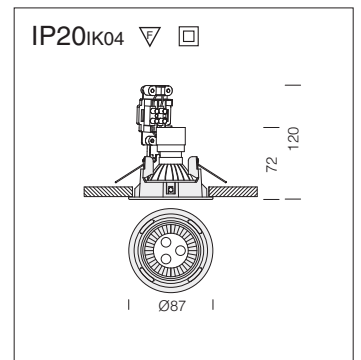
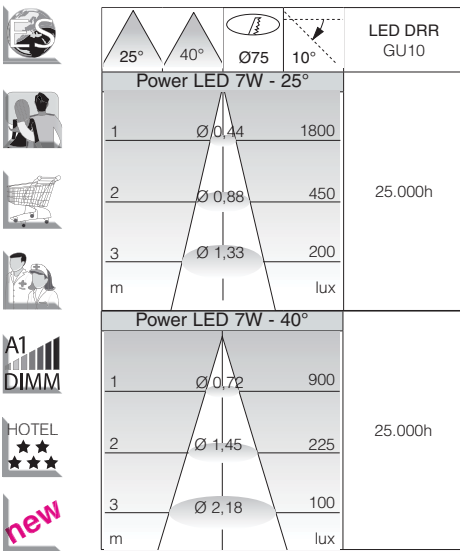
**Reflector:** High-efficiency prismatic and polished aluminium



Lotus 7				
		CELL		Lamps (Ta=25°C)
wattage/W	colour	weight	code	Kelvin - l/m - Ra
CDM-TC Elite 50	white	0,80	22088710-00	3000K - 5500lm - Ra 90
CDM-TC Elite 50	m. silver	0,80	22088770-00	3000K - 5500lm - Ra 90
CDM-TC Elite 70	white	0,80	22088712-00	3000K - 7800 lm - Ra 90
CDM-TC Elite 70	m. silver	0,80	22088772-00	3000K - 7800 lm - Ra 90

**CDM Elite Lamps:** suitable for shopping centres, ideal for enhancing the goods displayed.

- Maintenance cost reduction
- 10% increase in energy efficiency in contrast with traditional lamps
- Excellent colour rendering (Ra 90)
- Improved light levels (twice as powerful)



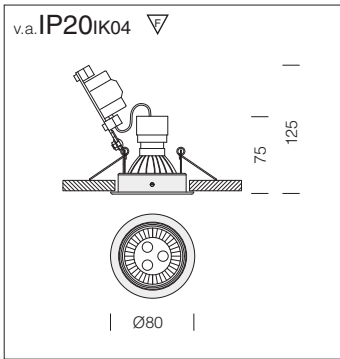
**Housing:** in die cast aluminium ideal for transit areas



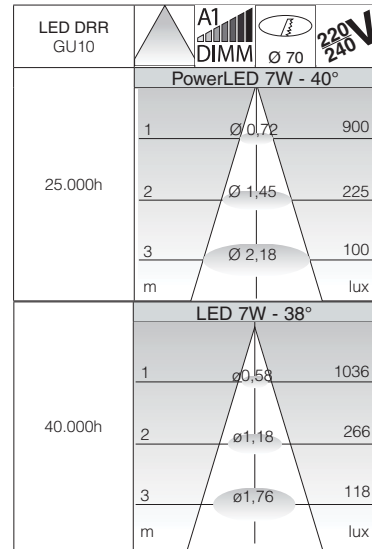
**Fosnova**

Mac - POWER LED 7W - DIMM - Home					
		CLD CELL-D		W tot.	LED (Ta=25°C)
wattage/W	colour	weight	code		Kelvin - ølm - CRI - degrees
Power LED 7W	white	0,25	22061012-00	7	3000 K - 450 lm - CRI 80 - 25°
Power LED 7W	m. silver	0,25	22061072-00		
Power LED 7W	black	0,25	22061032-00		
Power LED 7W	chrome	0,25	22061062-00		
Power LED 7W	gold	0,25	22061082-00		
Power LED 7W	pol. brass	0,25	22061092-00		
Power LED 7W	white	0,25	22061014-00		
Power LED 7W	m. silver	0,25	22061074-00		3000 K - 450 lm - CRI 80 - 40°
Power LED 7W	black	0,25	22061034-00		
Power LED 7W	chrome	0,25	22061064-00		
Power LED 7W	gold	0,25	22061084-00		
Power LED 7W	pol. brass	0,25	22061094-00		



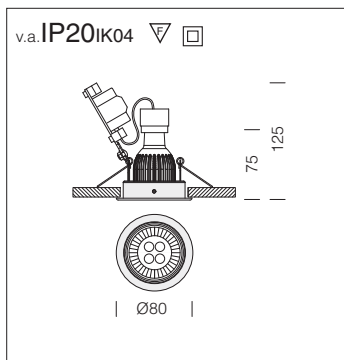


**Housing:** in die cast aluminium ideal for transit areas

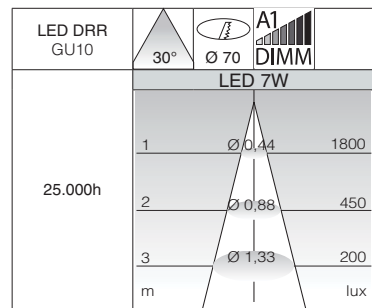


Janus - DIMM - POWER LED 7W - Home						
		CLD CELL-D		W tot.	LED (Ta=25°C)	
wattage/W	colour	weight	code		Kelvin - lm - CRI - degrees	
Power LED 7W	white	0,25	22062119-00	7	3000K - 450lm - CRI 80 - 40°	
Power LED 7W	m. silver	0,25	22062179-00			

Janus - DIMM - Home						
		CLD CELL-D		W tot.	LED (Ta=25°C)	
wattage/W 230V	wattage	weight	code		Kelvin - lm - CRI - degrees	
LED 7W	white	0,25	22063211-00	8	2750K - 450lm - CRI>80 - 38°	
LED 7W	black	0,25	22063232-00			
LED 7W	silver	0,25	22063274-00			
LED 7W	chrome	0,25	22063263-00			
LED 7W	brass	0,25	22063295-00			



**Housing:** in die cast aluminium ideal for transit areas



Janus - LED 7W - DIMM						
		CLD CELL-D		W tot.	LED (Ta=25°C)	
wattage/W	colour	weight	code		Kelvin - lm - degrees	
LED 7W	white	0,25	22063212-00	8	3000K - 450lm - 30°	
LED 7W	m. silver	0,25	22063271-00			
LED 7W	black	0,25	22063233-00			
LED 7W	chrome	0,25	22063264-00			
LED 7W	brass	0,25	22063291-00			



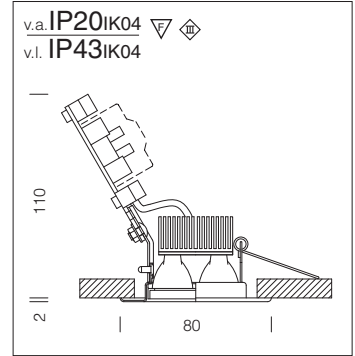


**LED**

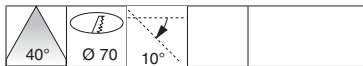
**Power led with triple monochrome lens:** circular LED module with integrated lens. Use is recommended for decorative architectural lighting, accent lighting in stores and shop windows, etc., outdoor and indoor directional lights (corridors, hallways, etc.). Use in even better conditions will extend its working life.

**On request:** 10° and 60° versions, 4000K - 6000K.

**Janus Power LED - 900lm is also available with 1A power supply unit.**



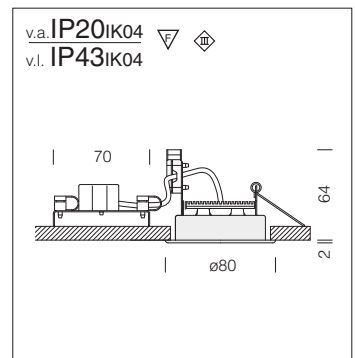
Janus - Power LED 3000 K - Professional					
		CLD S+L		LED (Ta=25°C)	
wattage/W (700mA)	colour	weight	code	W tot.	Kelvin - ølm 700mA - degrees
LED bla 3x2,5W	white	0,20	22062111-00	7,5	3000K - 650 lm - 25°
LED bla 3x2,5W	black	0,20	22062134-00		
LED bla 3x2,5W	chrome	0,20	22062167-00		
LED bla 3x2,5W	m. silver	0,20	22062172-00		
LED bla 3x2,5W	brass	0,20	22062193-00		



**Connections and accessories**

High efficiency d.c. power generator, with reduced weight and size. 350mA is the direct current output of high-Power LEDs, according to the type of use.

Professional three-channel LED RGB colour control module, separate dimmable function available for each channel with IR remote control. Three colour changing programmes can be selected using a special button. The colour/programme selected is stored in the memory when the luminaire is switched off, also in case of a power cut. Loading of the colour changing programme, ON/OFF button, also operates with a synchronized MASTER and SLAVE system.



**Power led triple lens RGB:**

Round LED module consisting of led lights with in-built lens.

The purity of the light emitted is the main feature of these led lights; particularly suitable for detail-enhancing and decorative lighting and for the creation of luminous colour effects.

With three built-in lenses and three LED lights 3,2W, 350mA (red, green, blue).

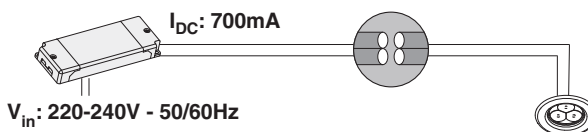
All three LED lights emit white light when switched on together. Different colours can be obtained by regulating the power supply of each single LED.

Janus - FULLColour Power LED RGB					
		CLD S+L		LED (Ta=25°C)	
wattage (350mA)	colour	weight	code	W tot.	ølm 350mA
LED RGB 3x3,2W	white	0,20	22062116-00	9,6	R 84 - G 144 - B 36 - 40°
LED RGB 3x3,2W	black	0,20	22062133-00		
LED RGB 3x3,2W	chrome	0,20	22062166-00		
LED RGB 3x3,2W	m. silver	0,20	22062174-00		
LED RGB 3x3,2W	brass	0,20	22062197-00		

Use power supply code 22090870-00, to power up to 3 FULLColour RGB spotlights.  
 To supply other 3 spotlights FULLColour RGB in sync with MASTER, acquire SLAVE cod 22090871-00.  
 Remote control code 22099020-00 is supplied separately.  
 Possibility of DMX System cod. 22090876-00.

**POWER LED CONNECTIONS**

Use spotlights 3x2,5W with code 22090835-00 (1 per spotlight).



CODE	VOLTAGE	CURRENT I <sub>DC</sub>	n. min. no. spotlights	max no. spotlights	W
22090835-00	220-240V 50/60Hz	700mA	1	1	9
22090834-00	<b>DIMMABLE 1-10V</b>	700mA	1	2	18

**POWER LED RGB CONNECTIONS**

**BASE SYSTEM**

**CODE 22090870-00**

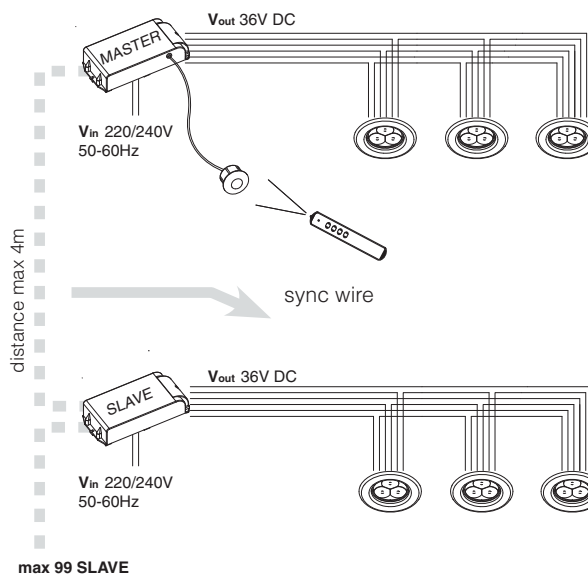
Master + IR Receiver

Three-channel professional colour control module for LED RGB. Dimmable option supplied separately with IR remote control (code 22099020-00).

**CODE 22090871-00**

Slave

A SLAVE be purchased to use 3 more spotlights in sync with the MASTER, (code 22090871-00). Can be operated using 1 MASTER and 99 SLAVES.



1mm<sup>2</sup> up to 50 m -  
1,5 mm<sup>2</sup> up to 75 m

**N.B:** Must maintain sequence connection. Minimum load 4W/channel (max 3 FULLColour triple lenses)

**REMOTE CONTROL**  
code 22099020-00

1mm<sup>2</sup> up to 50 m -  
1,5 mm<sup>2</sup> up to 75 m

**POWER LED RGB CONNECTIONS**

**KIT1 CODE 22090872-00**

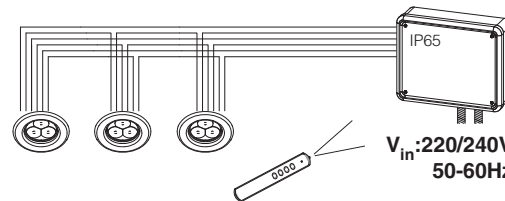
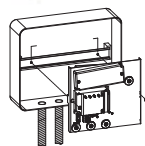
1 Master, IRE Receiver and a terminal block for the network connection.



Supplied with 1 pre-wired plate to be inserted in the IP65 box to power 3 LED RGB lights in sync (ex. art. M45). The IRE remote control purchased separately (code 22099020-00).



REMOTE CONTROL  
(cod. 22099020-00)



**KIT2 COD. 22090873-00**

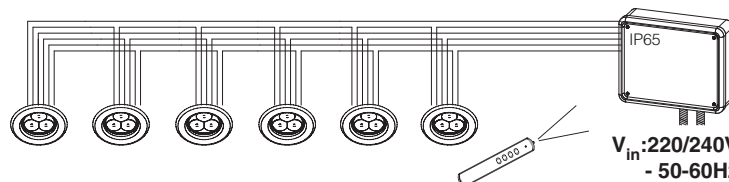
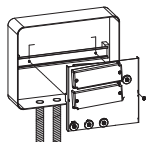
1 Master, IR Receiver and a terminal block for the network connection.



Supplied with 1 pre-wired plate to be inserted in the IP65 box to power 6 LED RGB lights in sync (ex. art. M45). The IRE remote control purchased separately (code. 22099020-00).



REMOTE CONTROL  
(cod. 22099020-00)

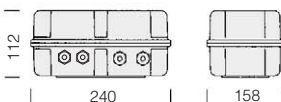


**KIT 3 bis - Waterproof gear box with LED RGB power supply and DMX interface**

wattage/W	colour	code
60	black	22092051-00

IP65 box with 48V 60W power supply for RGB Power LED - **max 12 LEDs**. Supplied with electronic card and controller / DMX interface, four cable glands, 9/12 mm diameter. After acc. 22092051-00 n. 20, use acc. code 22092052-00.

IP65IK07



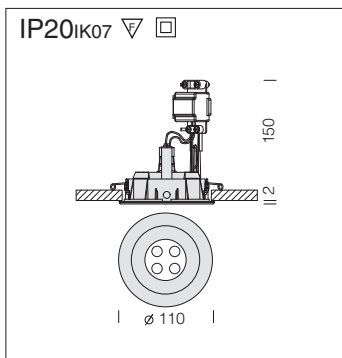
**Remote control**

22099020-00

For on/off switching and to regulate colour change programs.



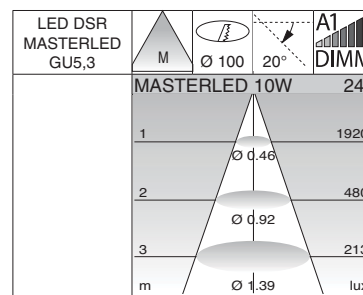




Series of small-size recessed spotlights.

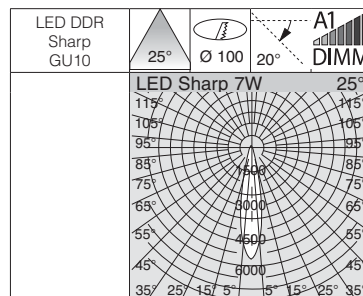
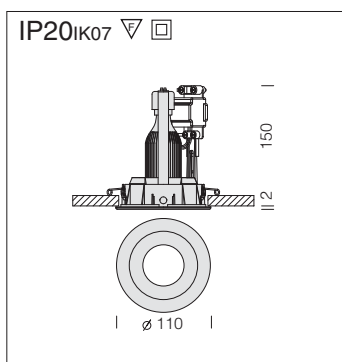
**Housing:** Housing and frame made of polycarbonate.

**Reflector:** In aluminium.



**MASTERLED: Dimmable**, particularly suited for public spaces such as reception halls, entrance lobbies, corridors, stairways and bathrooms where lights stay on all day, 40,000 hours of lifespan, and 80% energy saving compared to ALO 35W.

Fénix - DIMM - internal aluminium				
		CLD CELL-D		LED (Ta=25°C)
wattage/W	colour	weight	code	W tot. Kelvin - cd - CRI - degrees
MASTERLED 7W	white	0,20	22066917-00	8 3000K - 1550 cd - CRI 80 - 24°
MASTERLED 10W	white	0,20	22066910-00	11 3000K - 1920 cd - CRI 80 - 24°



Fenix - DIMM - Home				
		CLD CELL-D		LED (Ta=25°C)
wattage/W	colour	weight	code	W tot. Kelvin - lm - CRI - degrees
LED Sharp 7W	white	0,20	22066915-00	8 2750K - 450lm - CRI>80 - 38°



ADJUSTABLE RECESSED DOWN LIGHTS



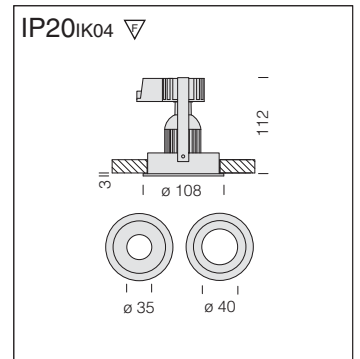




ADJUSTABLE RECESSED  
DOWN LIGHTS



		<b>A1</b> <b>DIMM</b>	LED DRR GU10 25.000h
<b>LED 7W</b>			
1	Ø 0,44	1800	
2	Ø 0,88	450	
3	Ø 1,33	200	
m			lux



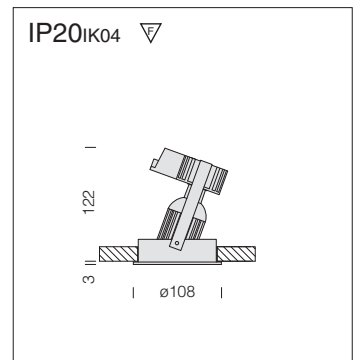
**Housing:** in aluminium, vertical light.

<b>Atlas 1 - DIMM - Home - narrow beam ø35</b>					
		CLD CELL-D		W tot.	LED (Ta=25°C)
wattage/W	colour	weight	code		Kelvin - ølm - CRI - degrees
LED 7W	m. silver	0,20	22061672-00	8	3000K - 450lm - CRI 80 - 30°
LED 7W	white	0,20	22061612-00		

<b>Atlas 3 DIMM - Home - wide beam ø40</b>					
		CLD CELL-D		W tot.	LED (Ta=25°C)
wattage/W	colour	weight	code		Kelvin - ølm - CRI - degrees
LED 7W	m. silver	0,20	22061674-00	8	3000K - 450lm - CRI 80 - 30°
LED 7W	white	0,20	22061614-00		



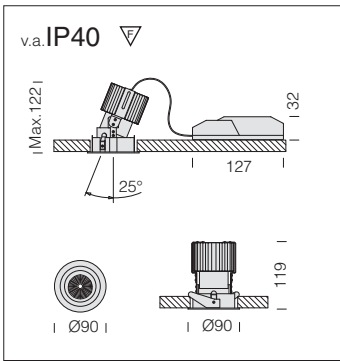
				LED DRR GU10 25.000h
--	--	--	--	-------------------------



**Housing:** Tilting made of aluminium.

<b>Atlas 2 - Adjustable DIMM - Home</b>					
		CLD CELL-D		W tot.	LED (Ta=25°C)
wattage/W	colour	weight	code		Kelvin - ølm - CRI - degrees
LED 7W	m. silver	0,20	22061773-00	8	2750K - 450lm - CRI 80 - 30°
LED 7W	white	0,20	22061713-00		





LED 40.000h			
Power LED			
1	Ø 0,33	2030	
2	Ø 1,06	507	
3	Ø 1,59	225	
m			lux



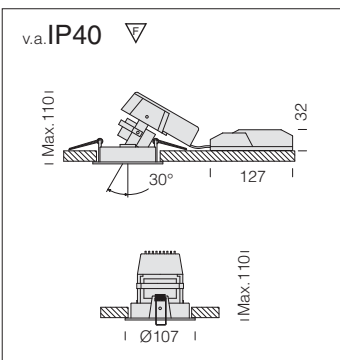
**Body:** Die-cast aluminum with heat sink.

**Reflector:** satin aluminum high efficiency. Complete with brackets for recessed.

Atlas 4 - matt - adjustable						
		CLD CELL		CLD CELL-D	W tot	LED (Ta=25°C)
wattage/W	colour	weight	code	code		Kelvin - ølm - CRI
<b>Power LED</b>	matt	0,40	22061715-00	22061715-12	<b>12</b>	3000 K - 530 lm - CRI 80



ADJUSTABLE RECESSED DOWN LIGHTS



LED 40.000h			
Power LED			
1	Ø 0,37	2484	
2	Ø 1,14	556	
3	Ø 1,71	276	
m			lux

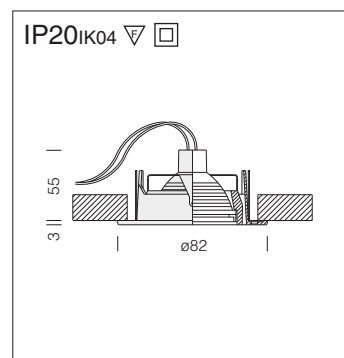
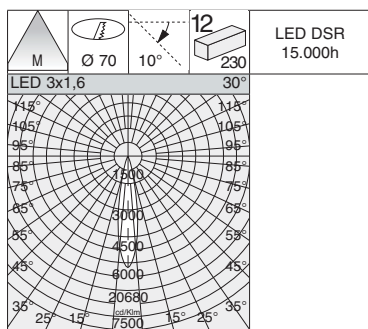


**Body:** Die-cast aluminum with heat sink.

**Reflector:** satin aluminum high efficiency. Complete with brackets for recessed.

Atlas 5 - hole - Home						
		CLD CELL		W tot	LED (Ta=25°C)	
wattage/W	colour	weight	code		Kelvin - ølm - CRI	
<b>Power LED</b>	blanc	0,50	22061716-00	<b>15</b>	3000 K - 790 lm - CRI 80	

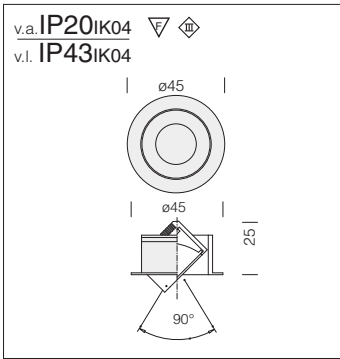




**Housing:** in frosted aluminium, adjustable. Small-sized, nicely shaped, shock resistant. Adjustable.  
**Equipment:** fins for recessed installation

Mac - POWER LED					
		CLD CTL		LED (Ta=25°C)	
wattage/W	colour	weight	code	W tot.	Kelvin - ølm 500mA - degrees
PowerLED 3x2,5W	aluminium	0,30	22061471-00	8	4000K - 510lm- 40°
PowerLED 3x1,6W	aluminium	0,30	22061473-00	4,8	3000K - 450lm- 30°

Colour temperature ideal for enhancing glass, crystal, silver and valuable objects.  
**Upon request:** the product is also available with warmer colour temperatures.



**Housing:** aluminium spotlight, can be installed either on its own or in combination through the use of accessories. Adjustable.

**On request:** aluminium spotlight, adjustable, can be installed separately.



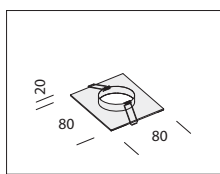
MultiMicro 2 - LED					
		CLD S+L			LED (Ta=25°C)
wattage W (700mA)	colour	weight	code	W tot.	K - ølm (700mA) - degrees
LED white 2,5W	al. oxi. nat.	0,20	22065171-00	2,5	3000 K - 110 lm - 40°
LED white 2,5W	al. oxi. nat.	0,20	22065173-00		4000 K - 130 lm - 40°
LED white 2,5W	al. oxi. black	0,20	22065131-00		3000 K - 110 lm - 40°
LED white 2,5W	al. oxi. black	0,20	22065133-00		4000 K - 130 lm - 40°

Driver LED	
wattage/W	code
220-240V-700mA -9W	22090835-00

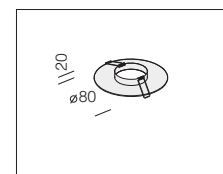
To be used always with multi-recessed acc. to install in false ceiling.

**TO BE USED WITH ACCESSORIES**

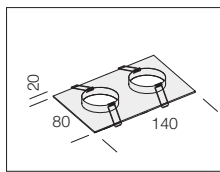
Oxidized aluminium accessories to be used with art. MultiMicro 2.



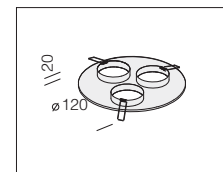
Multi-recessed 1
oxi. 22005573-00
black 22005533-00



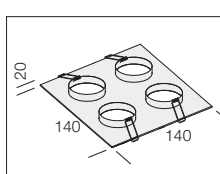
Multi-recessed 1R
oxi. 22005571-00
black 22005531-00



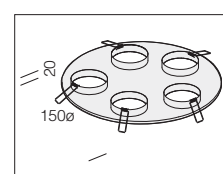
Multi-recessed 2
oxi. 22005572-00
black 22005532-00



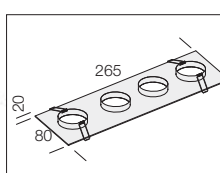
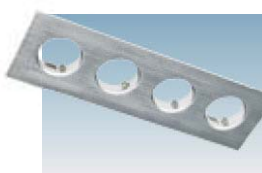
Multi-recessed 2R
oxi. 22005579-00
black 22005539-00



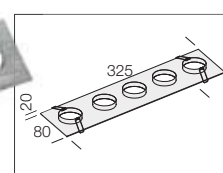
Multi-recessed 4Q
oxi. 22005574-00
black 22005534-00



Multi-recessed 4R
oxi. 22005577-00
black 22005537-00



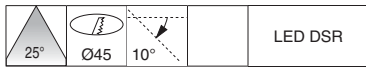
Multi-recessed 4L
oxi. 22005575-00
black 22005535-00



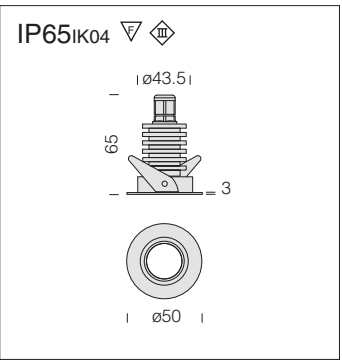
Multi-recessed 5
oxi. 22005576-00
black 22005536-00



LED



LED DSR

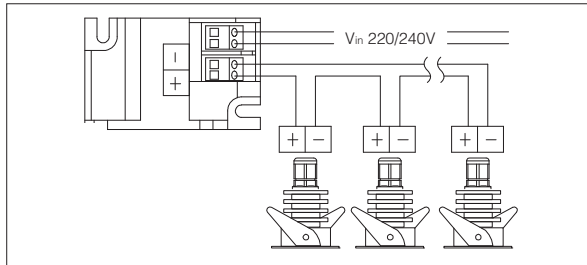


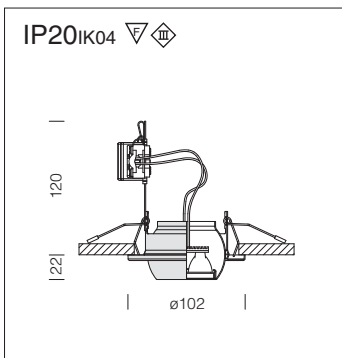
Housing: in die-cast aluminium.

Petit 50 - adjustable					
		CLD S+L		LED (Ta=25°C)	
wattage/W (350mA)	colour	weight	code	W tot.	Kelvin - ølm (350mA) - degrees
LED blanco 1x1,2W	chrome	0,10	22066565-00	1,2	6000K - 112lm - 25°

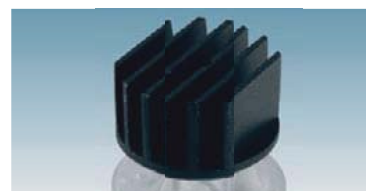
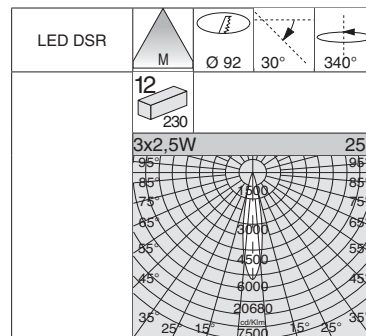
Power supply not included. To purchase separately, see page Technical components.

	350mA	500mA	700mA
W tot	1,2W	2W	3W
ølm	112lm	145lm	180lm





**Housing:** Sheet steel supplied with springs for recessed mounting.  
**Standard supply:** with springs. False ceilings with a thickness between min. 1 mm and max. 15 mm need a hole with a diameter of  $\varnothing 92$ ; false ceilings with a thickness of 1 mm need a hole with a diameter of  $\varnothing 85$  mm.

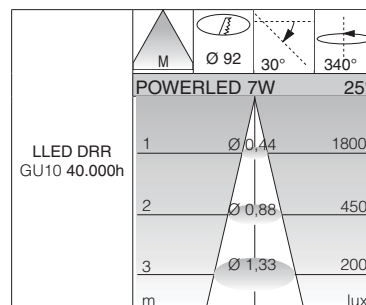
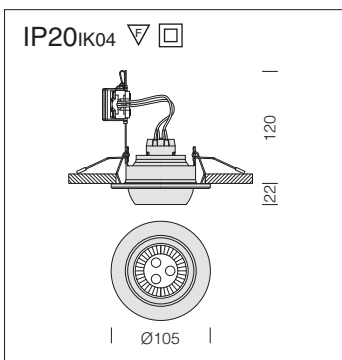


**Luna 1 - POWER LED**

wattage/W	colour	CLD S+L		W tot.	LED (Ta=25°C)
		weight	code		Kelvin - olm 700mA - degrees
LED white 3x2,5W	white	0,30	22063012-00	7,5	3000K - 650lm - 25°
LED white 3x2,5W	chrome	0,30	22063064-00		
LED white 3x2,5W	silver m.	0,30	22063073-00		
LED white 3x2,5W	gold	0,30	22063095-00		

Complete with 3 LED module, powered 2,5W each. On request: 10° - 40° version.  
 Power supply is to be bought separately code 22090835-00.

CODE	VOLTAGE	CURRENT I <sub>DC</sub>	n. min. no. spotlights	max no. spotlights	W
22090835-00	220-240V 50/60Hz	700mA	1	1	9
22090834-00	<b>DIMMABLE 1-10V</b>	700mA	1	2	18

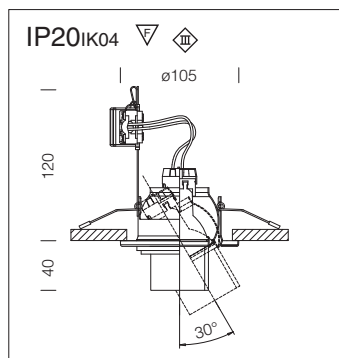
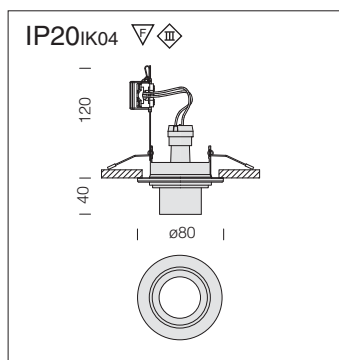
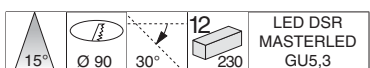
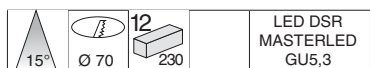


**Luna 1 - LED 7W - DIMM**

wattage/W	colour	CLD CELL-D		W tot.	LED (Ta=25°C)
		poids	code		Kelvin - olm - degrees
LED 7W	white	0,30	22062710-00	7	3000K - 450lm - 25°
LED 7W	chrome	0,30	22062760-00		
LED 7W	m. silver	0,30	22062770-00		
LED 7W	gold	0,30	22062780-00		



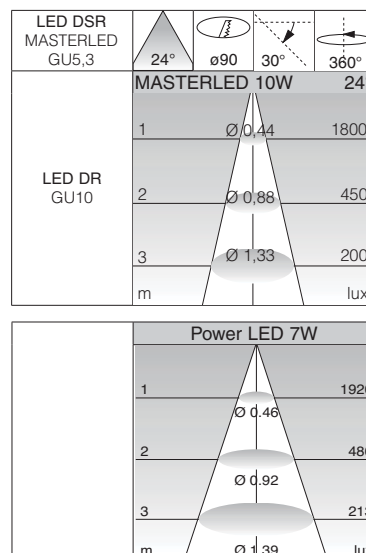
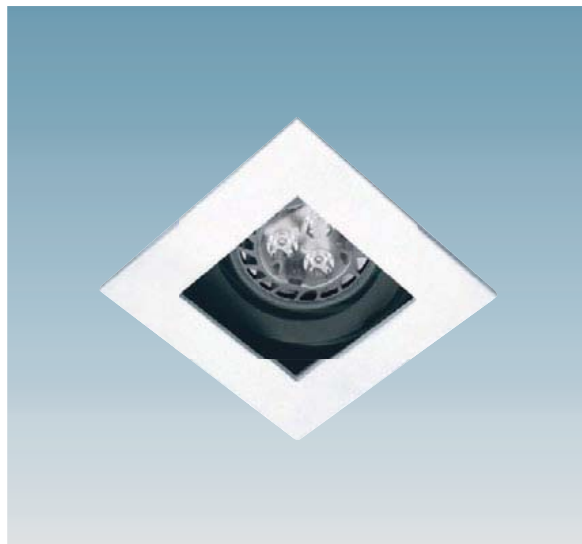
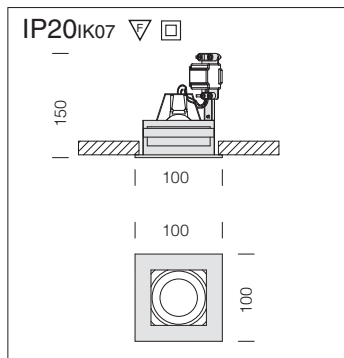
ADJUSTABLE RECESSED DOWN LIGHTS



Luna 3 - MASTERLED - 12V - DIMM					
		CLD S+L		W tot.	LED (Ta=25°C)
wattage/W 12V	colour	weight	code		Kelvin - olm - CRI - degrees
MASTERLED 10W	chrome	0,30	22062765-00	11	3000K - 4200cd - CRI80 - 15°
Complete with power supply 70W (cod. 22090817-00) o 105W (cod. 22090810-00)					

Luna 4 - MASTERLED - 12V - DIMM					
		CLD S+L		W tot.	LED (Ta=25°C)
wattage/W 12V	colour	weight	code		Kelvin - olm - CRI - degrees
MASTERLED 10W	chrome	0,30	22062865-00	11	3000K - 4200cd - CRI80 - 15°
Complete with power supply 70W (cod. 22090817-00) o 105W (cod. 22090810-00)					

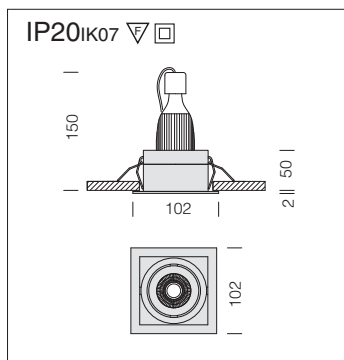
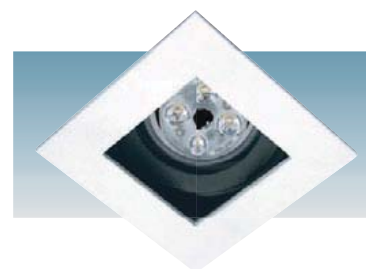
**MASTERLED: Dimmable**, particularly suited for public spaces such as reception halls, entrance lobbies, corridors, stairways and bathrooms where lights stay on all day, 40,000 hours of lifespan, and 80% energy saving compared to ALO 35W



Fenix Q - POWER LED 7W - DIMM				
		CLD CELL-D		LED (Ta=25°C)
wattage/W	colour	weight	code	W tot. Kelvin - ølm - degrees
<b>POWER LED 7W</b>	white	0,30	22066913-00	<b>7</b> 3000K - 450lm - 25°

Fenix Q - MASTERLED - 12V - DIMM				
		CLD S+L		LED (Ta=25°C)
wattage/W 12V	colour	weight	code	W tot. Kelvin - ølm - CRI
<b>MASTERLED 10W</b>	white	0,30	22066911-00	<b>11</b> 3000K - 1920cd - CRI80 - 24°

"ES" Energy Saver. Complete with power supply 70W (cod. 22090817-00) o 105W (cod. 22090810-00)



Fenix Q - adjustable - DIMM				
		CLD CELL-D		LED (Ta=25°C)
wattage/W	colour	weight	code	W tot. Kelvin - ølm - degrees - CRI
<b>LED Sharp 7W</b>	white	0,30	22066912-00	<b>8</b> 3000K - 480lm - 38° - CRI80

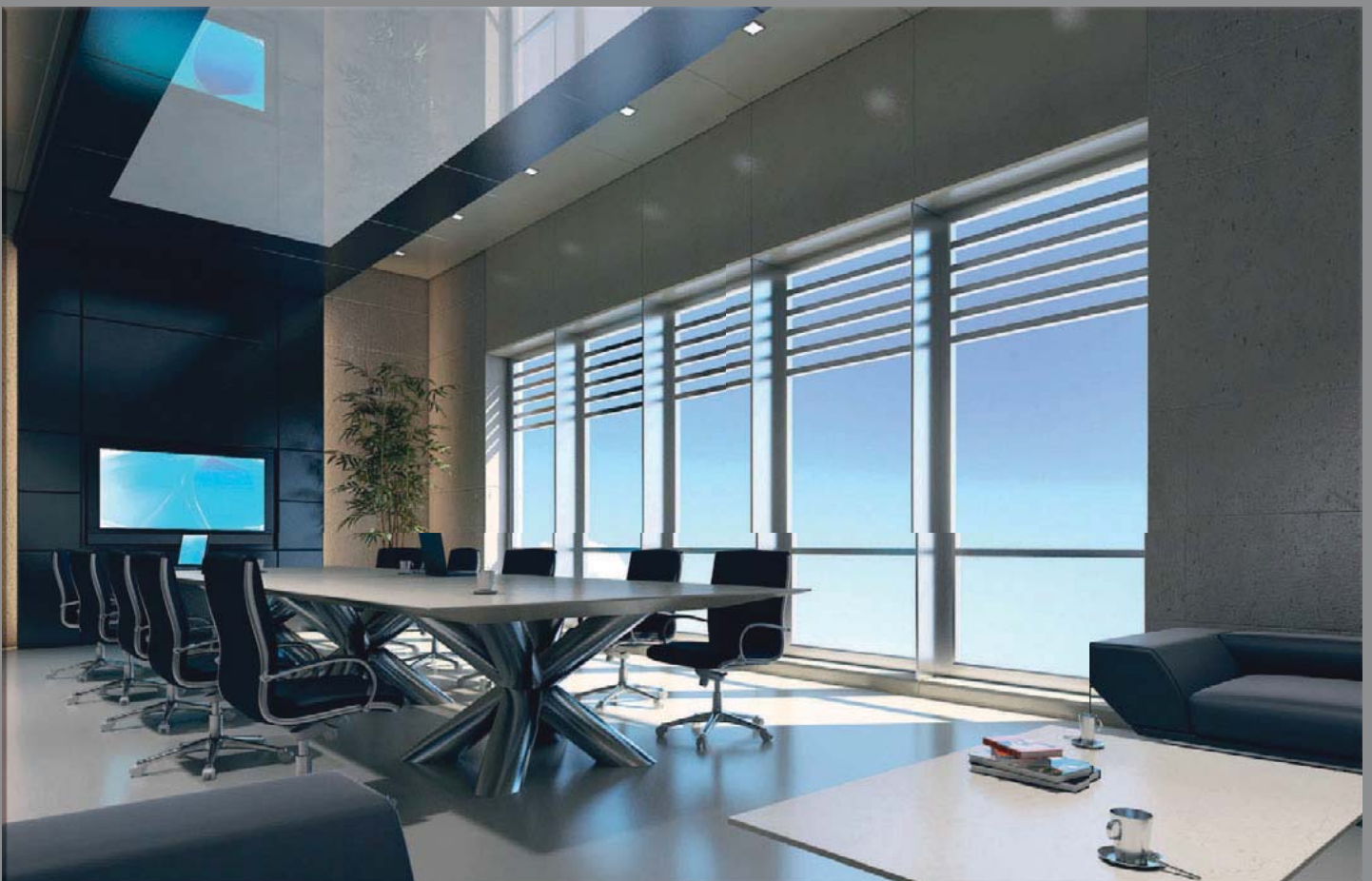
**Upon request:** possibility to change the light beam angle (FL. FS. FXL) by unscrewing the front ring and replacing the lens.



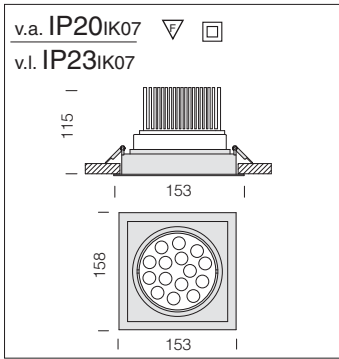


Adequate lighting provides improved perception of the environment and a comfortable feeling with our surroundings. This is the concept underlying the creation of the Milano recessed floodlight, ideal for quick, low-cost installation in any exhibition setting and to fulfil interior decorators' artificial lighting requirements.

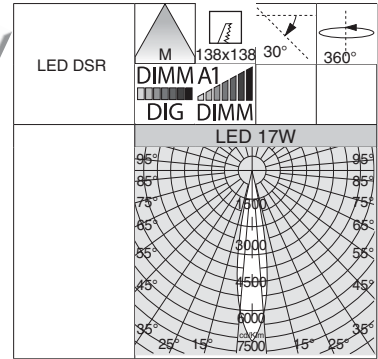
**Housing:** In adjustable aluminium.



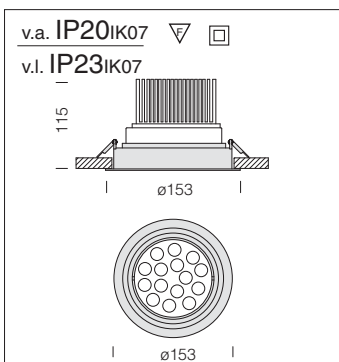




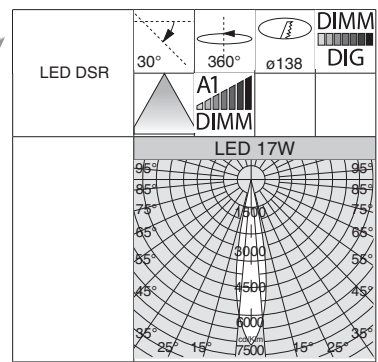
In particular: the lamp and its light beam can be directed, thanks to double tilting ring mounted on two axis.



Firenze 1- DIMM - Professional						
		CLD CELL-D		CLD CELLD-DIG		LED (Ta=25°C)
wattage/W (350mA)	colour	weight	code	code	W tot	Kelvin - ølm - CRI - degrees
LED 17W	white	0,50	22130110-00	22130110-1241	20	3000K - 910lm - CRI90 - 20°



In particular: the lamp and its light beam can be directed, thanks to double tilting ring mounted on two axis.

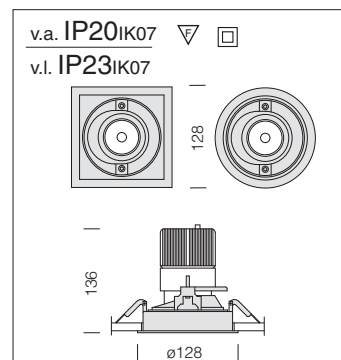
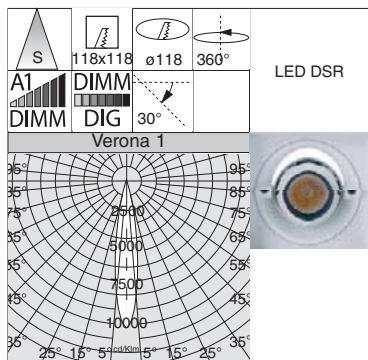


Firenze 2 - DIMM - Professional						
		CLD CELL-D		CLD CELLD-DIG		LED (Ta=25°C)
wattage/W (350mA)	colour	weight	code	code	W tot	Kelvin - ølm - CRI - degrees
LED 17W	white	0,45	22130210-00	22130210-1241	20	3000K - 910lm - CRI90 - 20°



LED

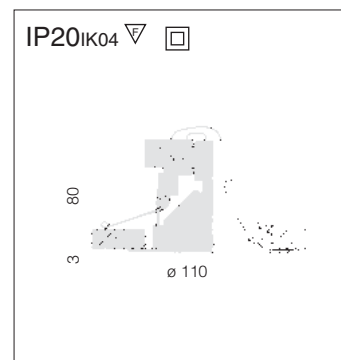
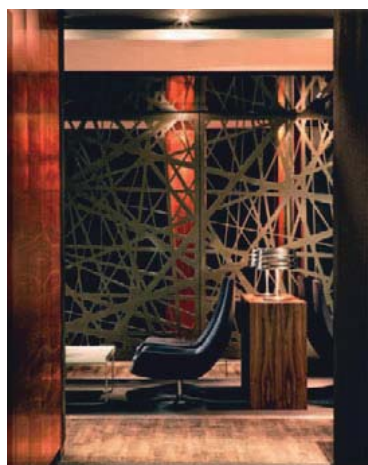
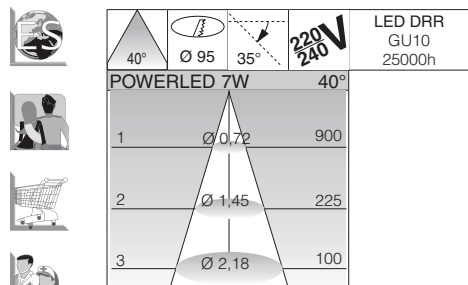
ADJUSTABLE RECESSED DOWN LIGHTS



In particular: the lamp and its light beam can be directed, thanks to double tilting ring mounted on two axis.

Verona 1 - DIMM - Professional						
		CLD CELL-D		CLD CELLD-DIG		LED (Ta=25°C)
wattage/W (1A)	colour	weight	code	code	W tot	Kelvin - ølm - CRI
LED 1x9W	white	0,50	22140110-00	22140110-1241	14	3000K - 700lm - CRI82

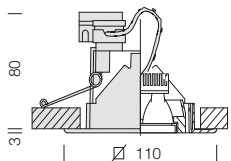
Verona 2 - DIMM - Professional						
		CLD CELL-D		CLD CELLD-DIG		LED (Ta=25°C)
wattage/W (1A)	colour	weight	code	code	W tot	Kelvin - ølm - CRI
LED 1x9W	white	0,45	22140210-00	22140210-1241	14	3000K - 700lm - CRI82



**Housing:** Die-cast zamak, with a steel bracket holding the terminal block. Supplied with springs for recessed mounting.

Lem - Power LED 7W - DIMM						
		CLD CELL-D				LED (Ta=25°C)
wattage/W	colour	weight	code	W tot.		Kelvin - ølm - degrees
Power LED 7W	white	0,50	22064810-00	7		3000K - 450lm - 40°
Power LED 7W	black	0,50	22064830-00			
Power LED 7W	chrome	0,50	22064860-00			
Power LED 7W	gold	0,50	22064880-00			
Power LED 7W	pol. brass	0,50	22064890-00			

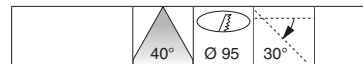
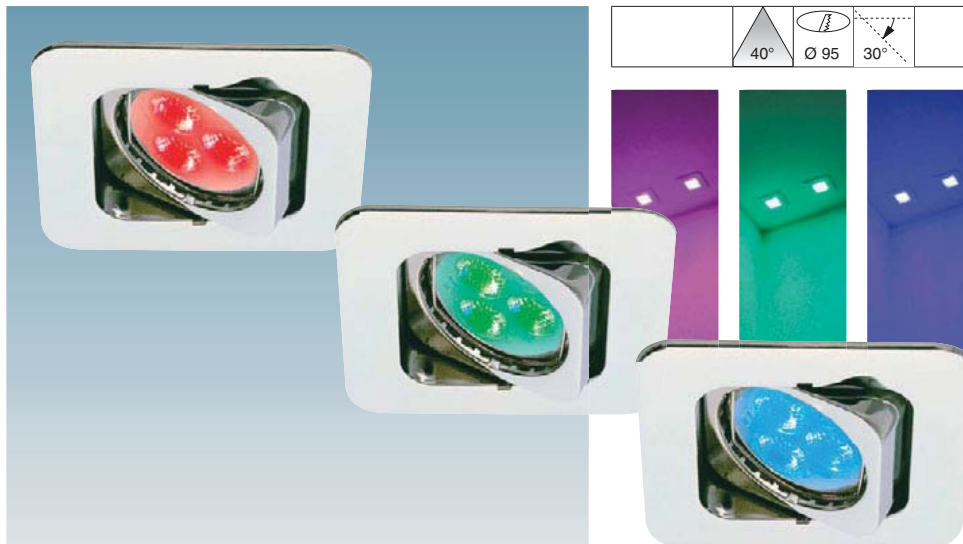
IP20IK04



**Power led triple lens RGB:**

LED with three built-in lenses and three LED lights, 3,2W, 350mA (red, green, blue).

All three LED lights emit white light when switched on together. Different colours can be obtained by regulating the power supply of each single LED. Working temperature: -30°C to 50°C.



Lem - FULLCOLOR POWER LED RGB				
		CLD S+L		LED (Ta=25°C)
wattage/W	colour	weight	code	Kelvin - ølm - CRI
LED RGB 3x3,2W	white	0,50	22064711-00	R 84 - G 144 - B 36 - 40°
LED RGB 3x3,2W	black	0,50	22064732-00	
LED RGB 3x3,2W	chrome	0,50	22064766-00	
LED RGB 3x3,2W	gold	0,50	22064784-00	
LED RGB 3x3,2W	brass	0,50	22064793-00	

Use power supply code 22090870-00, to power up to 3 RGB spotlights. To supply other 3 spotlights RGB in sync with MASTER, acquire SLAVE code 22090871-00.  
Remote control code 22099020-00 is supplied separately. Possibility of DMX System code 22090876-00.



**Connections and accessories**

High efficiency independent d.c. power generator, with reduced weight and size. 350/700mA is the direct current output of high-power LEDs, according to the type of use.

Professional three-channel LED RGB FULLCOLOR colour control module, separate dimmable function available for each channel through IR remote control. Three colour changing programmes can be selected using a special button. The colour/programme selected is stored in the memory when the luminaire is switched off, also in case of a power cut. Loading of the colour changing programme. ON/OFF button, also operates with a synchronized MASTER and SLAVE system.

**POWER LED RGB CONNECTIONS**

**BASE SYSTEM**

**CODE 22090870-00**

Master + IR Receiver

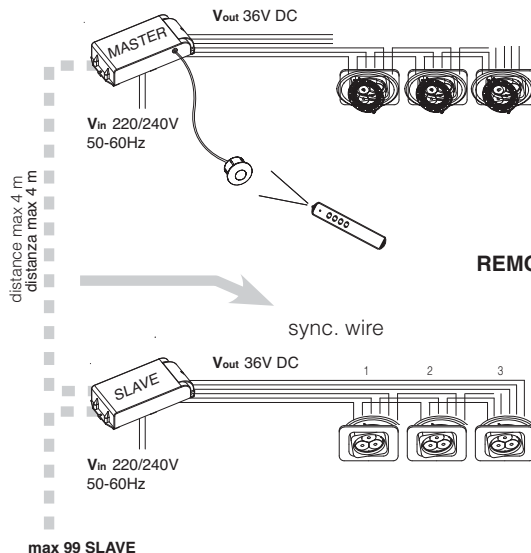
Three-channel professional colour control module for LED RGB. Dimmable option supplied separately for each channel through IR remote control (code 22099020-00).

**CODE 22090871-00**

Slave

A SLAVE and power supply should be purchased to use 3 more spotlights in sync with the MASTER, (cod. 22090871-00). Can be operated using 1 MASTER and 99 SLAVES.

1mm<sup>2</sup> up to 50 m -  
1,5 mm<sup>2</sup> up to 75 m

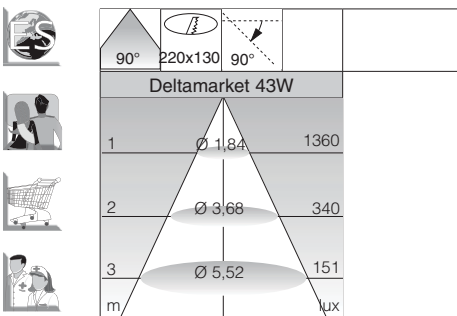


**REMOTE CONTROL** code 22099020-00

Code
22090870-00
22090871-00

**N.B:** Must maintain sequence connection  
**Minimum load 4W/channel**  
**(max 3 FULLCOLOR triple lenses)**

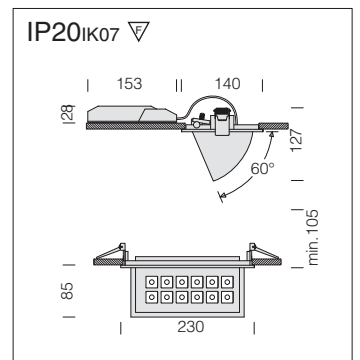




A1  
DIMM

HOTEL  
★★★★

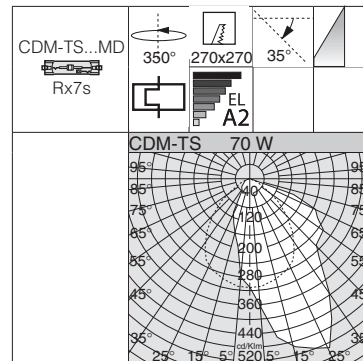
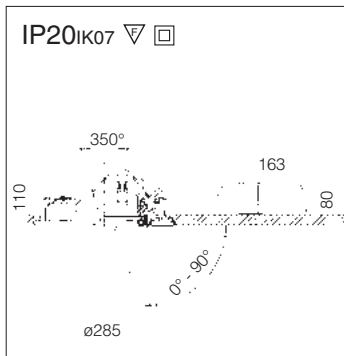
new



**Housing:** Die-cast aluminium with cooling equipment.

**Deltamarket LED - adjustable**

wattage/W	colour	CLD S+L		W tot.	LED (Ta=25°C)	
		weight	code		Kelvin - ølm - CRI - degrees	
<b>Power LED</b>	white	1,50	22068710-00	<b>43</b>	4000K - 2810lm - CRI70 - 90°	



**Housing:** Die-cast aluminium with cooling equipment.

**Reflector:** Asymmetric; high-performance hammered aluminium

**Diffuser:** Protective, heat treated glass.

**Coating:** Power-coated with a UV-resistant polyester epoxy paint.

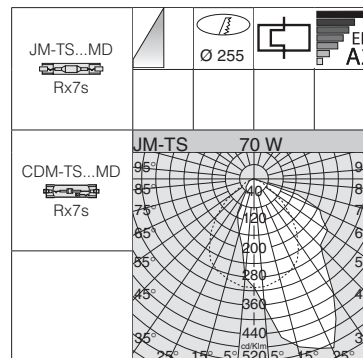
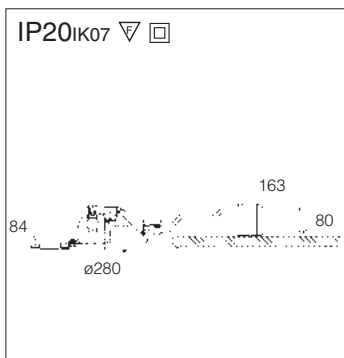
**Electric gear:** Wall mounted gear box with plug-socket.

**Equipment:** Supplied with adjustable brackets for recessed installation.

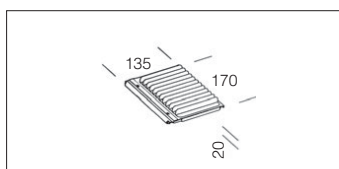
These fixtures are ideal for areas with a small amount of space between the false ceiling and the ceiling.

Fix 2 Q - adjustable				
		CNRL		Lamps (Ta=25°C)
wattage/W	colour	weight	code	Kelvin - ølm - Ra
CDM-TS 70	silver m.	3,50	22068975-85	3000K - 6600 lm - Ra 1b

Baffle louvre code 22091071-00 not included.

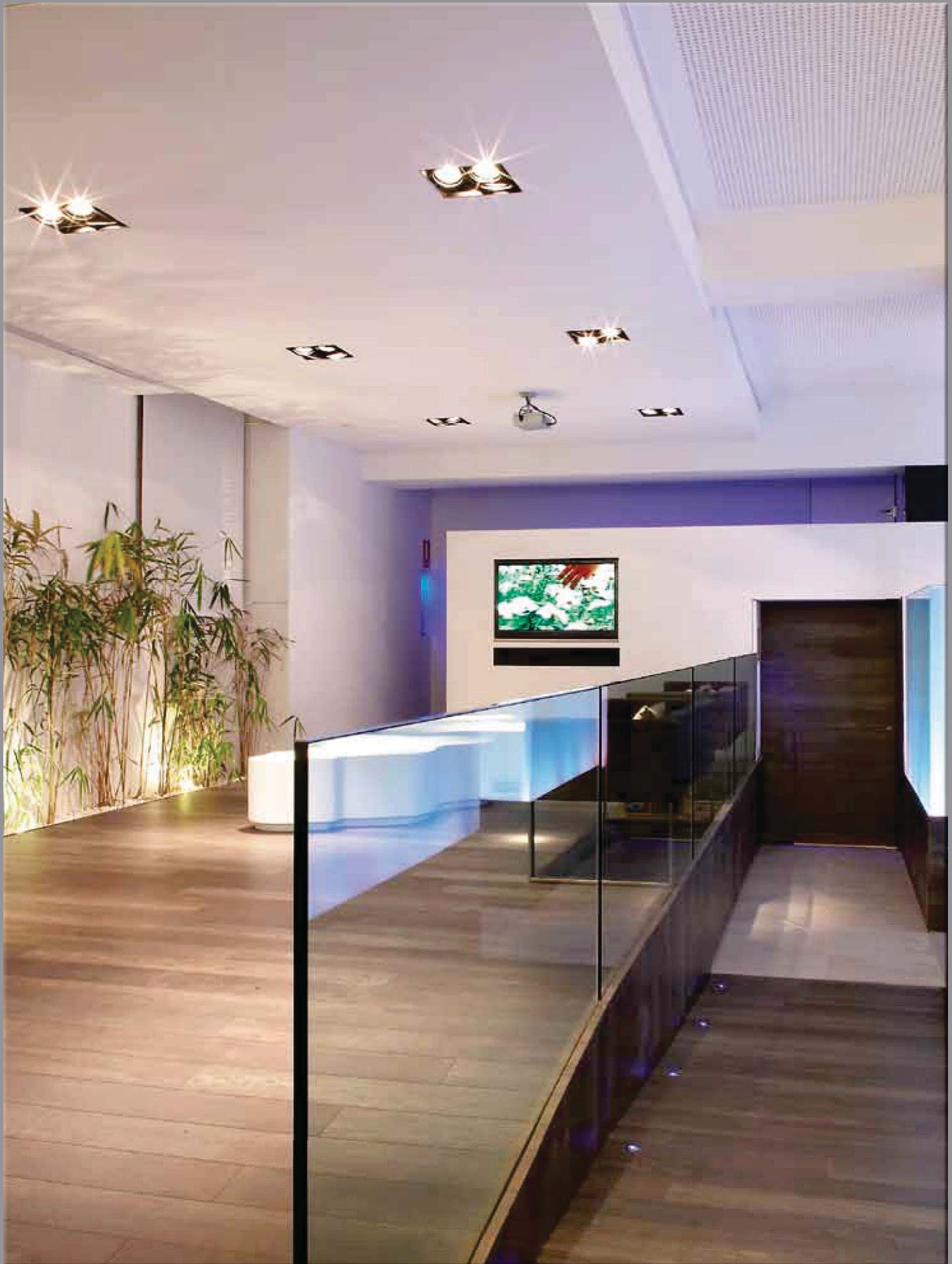


Fix 2 TS				
		CNRL		Lamps (Ta=25°C)
wattage/W	colour	weight	code	Kelvin - ølm - Ra
JM-TS 70 EXC	silver m.	3,70	22069976-00	3000K - 6200 lm - Ra 75
CDM-TS 70	silver m.	3,70	22069976-85	3000K - 6600 lm - Ra 1b



Louvre	
m. silver	22091071-00
In steel. For glare reduction and light beam direction.	





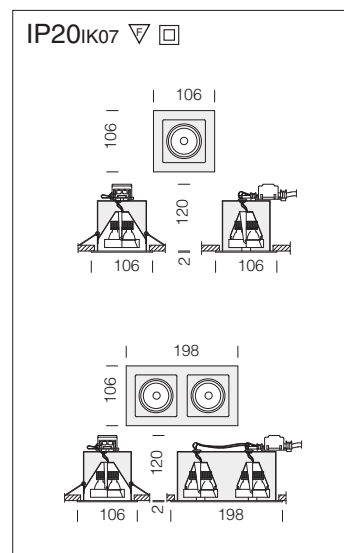
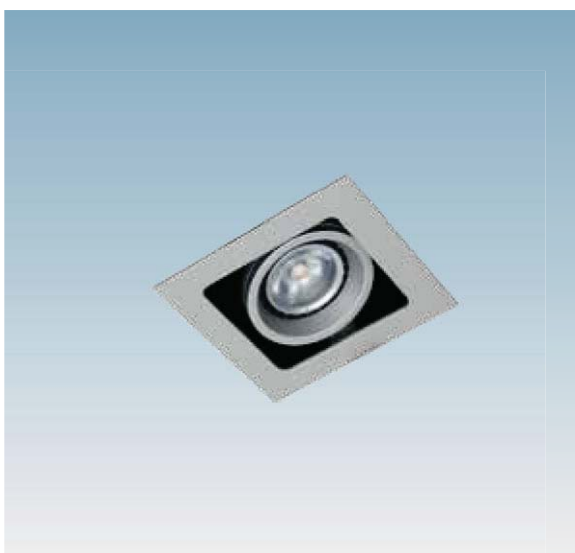
ADJUSTABLE RECESSED  
DOWN LIGHTS



95	95	95x185	M	MASTERLED DRR GU10	
220V	240V				



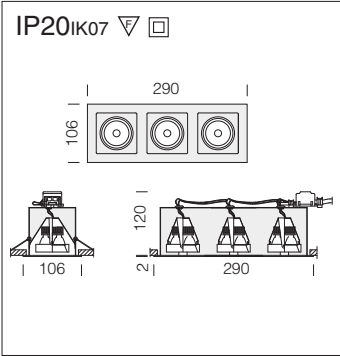
LED



Minishop 1L - MASTERLED					
		CLD CELL		LED (Ta=45°C)	
wattage/W	colour	weight	code	W tot.	Kelvin - olm - CRI - degrees
MASTERLED 3W	m. silver	0,50	22182570-00	3	3000K - 850cd - CRI 80 - 25°
MASTERLED 5W	m. silver	0,50	22181771-00	5	3000K - 1100cd - CRI 80 - 30°

Minishop 2L - MASTERLED					
		CLD CELL		LED (Ta=45°C)	
wattage/W	colour	weight	code	W tot.	Kelvin - olm - CRI - degrees
MASTERLED 2x3W	m. silver	0,80	22182571-00	6	3000K - 850cd - CRI 80 - 25°
MASTERLED 2x5W	m. silver	0,80	22181773-00	10	3000K - 1100cd - CRI 80 - 30°





**Housing:** made from steel, adjustable. Supplied with springs for recessed installation.

**Equipment:** with springs for false ceilings, max. 30mm.



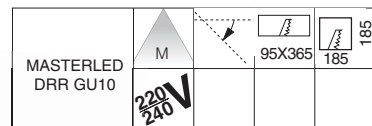
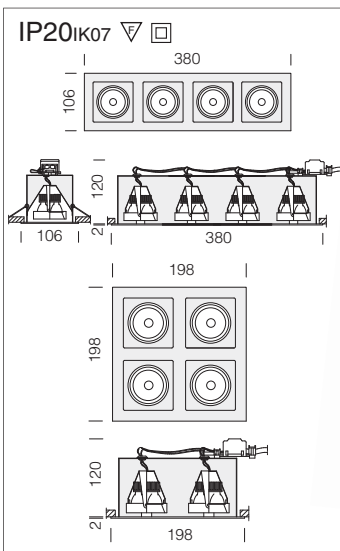
LED

new

Minishop 3L - MASTERLED					
		CLD CELL			LED (Ta=45°C)
wattage/W	colour	weight	code	W tot.	Kelvin - olm - CRI - degrees
MASTERLED 3x3W	m. silver	1,20	22182572-00	9	3000K - 850cd - CRI 80 - 25°
MASTERLED 3x5W	m. silver	1,20	22181775-00	15	3000K - 1100cd - CRI 80 - 30°



ADJUSTABLE RECESSED DOWN LIGHTS



LED

new

Minishop 4L - MASTERLED					
		CLD CELL			LED (Ta=45°C)
wattage/W	colour	weight	code	W tot.	Kelvin - olm - CRI - degrees
MASTERLED 4x3W	m. silver	1,60	22182576-00	12	3000K - 850cd - CRI 80 - 25°
MASTERLED 4x5W	m. silver	1,60	22181778-00	20	3000K - 1100cd - CRI 80 - 30°

Minishop 4LL - MASTERLED					
		CLD CELL			LED (Ta=45°C)
wattage/W	colour	weight	code	W tot.	Kelvin - olm - CRI - degrees
MASTERLED 4x3W	m. silver	1,30	22182578-00	12	3000K - 850cd - CRI 80 - 25°
MASTERLED 4x5W	m. silver	1,30	22181779-00	20	3000K - 1100cd - CRI 80 - 30°

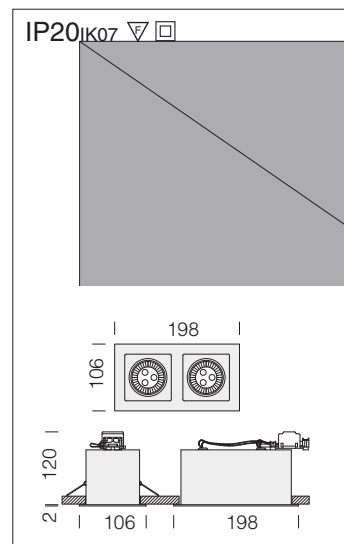
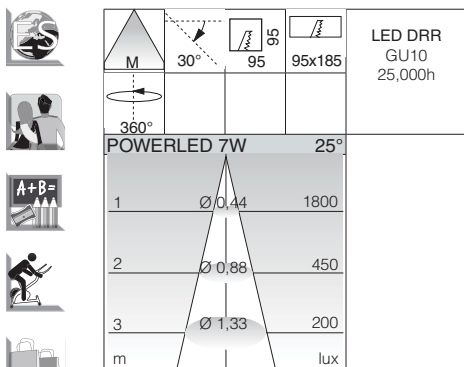




**Housing:** made from steel, adjustable.

**Coating:** fluid-coated with humidity resistant UV-stabilized polyester paint, after a chromate treatment.

**Equipment:** with springs for false ceilings, max. 30mm.

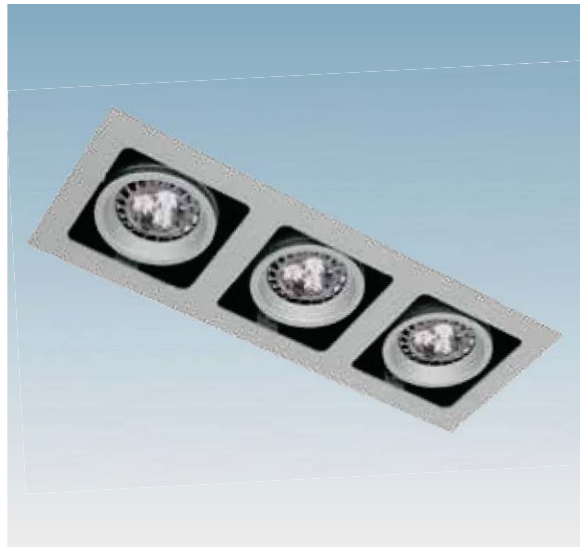
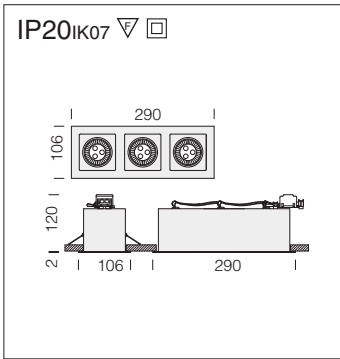


**Minishop 1A - LED 7W**

		CLD CELL		LED (Ta=25°C)	
wattage/W	colour	weight	code	W tot	Kelvin - ølm - degrees
Power LED 7W	m. silver	0,60	22182671-00	7	3000K - 450lm - 25°

**Minishop 2A - LED 7W**

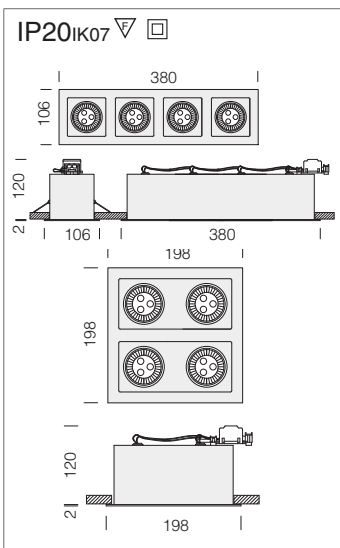
		CLD CELL		LED (Ta=25°C)	
wattage/W	colour	weight	code	W tot	Kelvin - ølm - degrees
Power LED 7W	m. silver	1,00	22182672-00	14	3000K - 450lm - 25°



LED DRR GU10 25,000h	M	30°	95X275	360°
POWERLED 7W				25°
1	Ø 0,44			1800
2	Ø 0,88			450
3	Ø 1,33			200
m				lux



Minishop 3A - LED 7W					
		CLD CELL		LED (Ta=25°C)	
wattage/W	colour	weight	code	W tot	Kelvin - ølm - degrees
Power LED 7W	m. silver	1,40	22182673-00	21	3000K - 450lm - 25°



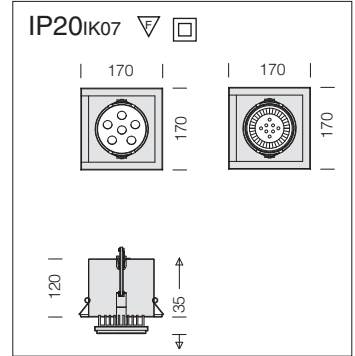
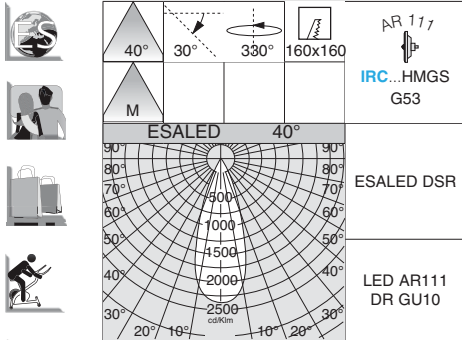
LED DRR GU10 25,000h	M	30°	185	95X365
				360°



Minishop 4A - in linea - LED 7W					
		CLD CELL		LED (Ta=25°C)	
wattage/W	colour	weight	code	W tot	Kelvin - ølm - degrees
Power LED 7W	m. silver	2,00	22182674-00	28	3000K - 450lm - 25°

Minishop 4 - LED 7W					
		CLD CELL		LED (Ta=25°C)	
wattage/W	colour	weight	code	W tot	Kelvin - ølm - degrees
Power LED 7W	m. silver	2,20	22182676-00	28	3000K - 450lm - 25°





**SHOP:** a new wide beam fixed optic unit has been created, which fits perfectly into the structure, ideal for use in combination with conventional adjustable angle accent optic units using AR111 halogen lamps, ESALED and LED AR111.  
**Housing:** Made of sheet steel.



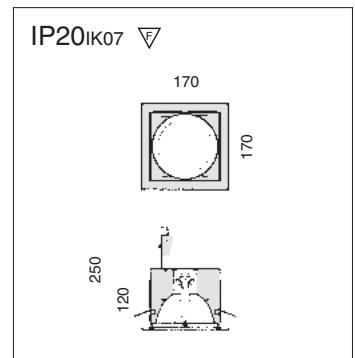
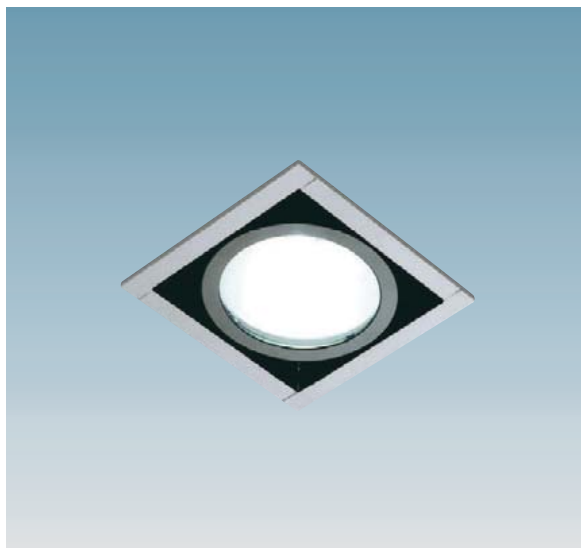
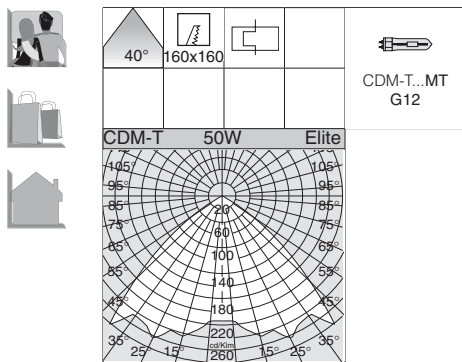
LED

Shop 1							
		CLD CELL		CLD S+L	LED (Ta=25°C)		
wattage/W (1A)	colour	weight	code	W tot	W tot	Kelvin - ølm 1A - CRI - degrees	
ESALED 18W	m. silver	1,00	22180170-00	14,7	20	3000K - 1800lm - CRI 80 - 40°	
LED AR111	m. silver	1,00			12	22180176-00 3000K - 550lm - CRI 82 - 25°	



Shop 1					
		CTL		Lamps (Ta=25°C)	
wattage/W	colour	weight	code	Kelvin - h - cd - degrees	
AR111-IRC 50	m. silver	0,90	22181070-00	3000K - 4000 h - 5500cd - 24°	

On request: housing with a black rim.



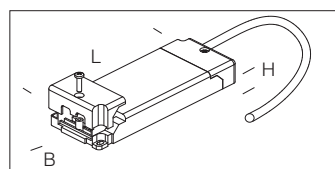
**Reflector:** High-efficiency prismatic and polished aluminium

Shop 1					
		S+L		Lamps (Ta=25°C)	
wattage/W	colour	weight	code	Kelvin - ølm - Ra	
CDM-T 50 Elite	m. silver	1,00	22181071-00	3000K - 5500lm - Ra 90	
CDM-T 100 Elite	m. silver	1,00	22181072-00	3000K - 11000 lm - Ra 90	

Complete with lamp without box+control code 22092016-00 / 22092018-00. On request: housing with a black rim.

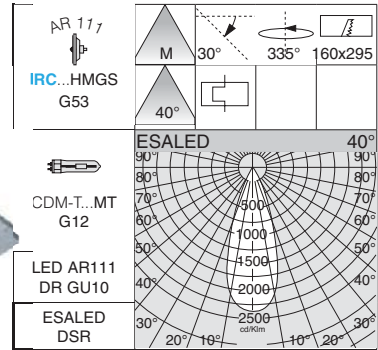
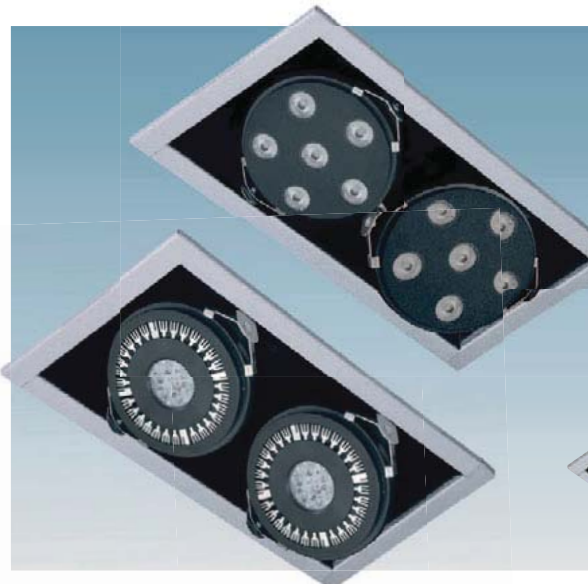
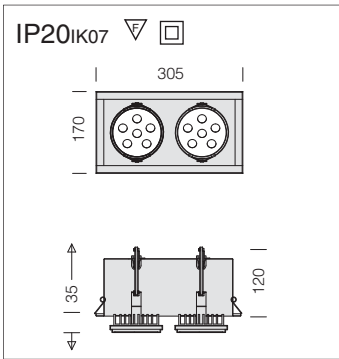
Electronic power supply 220-240V 50/60Hz		
wattage/W	colour	code
JM/CDM 50W	white	22092016-00
JM/CDM 100W	white	22092018-00

Completed with wire+2-poled plug for spot connection.



**CDM Elite Lamps:** suitable for shopping centres, ideal for enhancing the goods displayed.  
 - Maintenance cost reduction  
 - 10% increase in energy efficiency in contrast with traditional lamps  
 - Excellent colour rendering (Ra 90)  
 - Improved light levels (twice as powerful)  
**CDM-TC Elite 50W:** 25% longer lifespan, 30% energy saving and lower power consumption compared to Elite 70W.

Code	B	H	L
22092016-00	83	32	155
22092018-00	88	39	190



Versions are supplied with IRC lamp and transformer. CDM versions are complete with lamp without electronic wiring. Gear box is to be bought separately code 22092016-00 (50W) / 22092018-00 (100W).

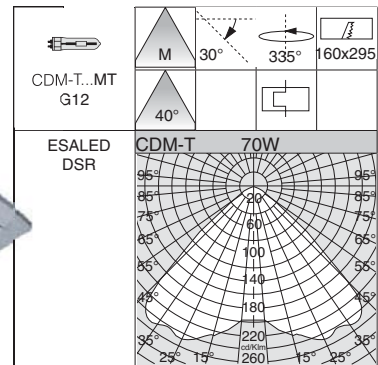
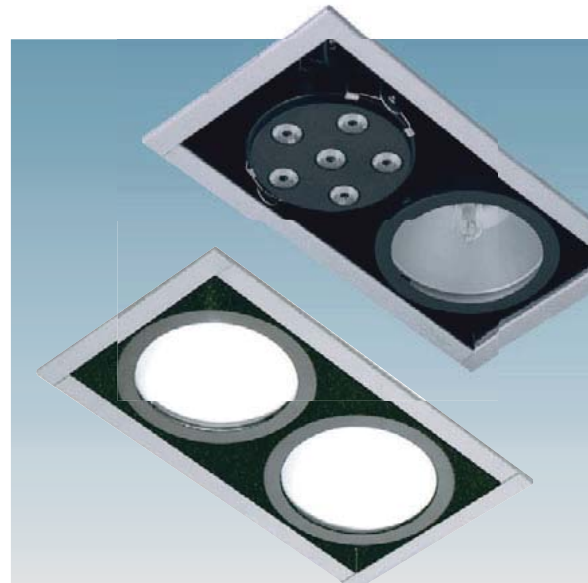
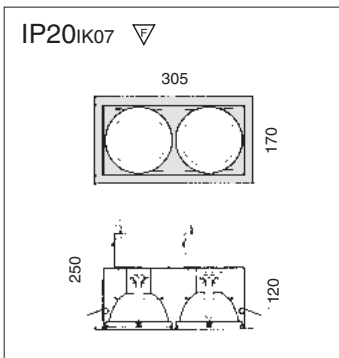
Shop 2

		CLD CELL		CLD S+L	LED (Ta=25°C)	
wattage/W (1A)	colour	weight	code	W tot	Kelvin - ølm (1A) - degrees	
ESALED 2x18W	m. silver	1,70	22180171-00	40	3000K - 2x1800lm - 40°	
LED 2xAR111	m. silver	1,70	22180177-00	24	3000K - 550lm - CRI 82 - 25°	

ESALED on request: 10° and 25°

Shop 2

		CTL		CTL-S+L	Lamps (Ta=25°C)	
wattage/W	colour	weight	code	weight	code	Kelvin - ølm - Ra
AR111-IRC 2x50	m. silver	1,50	22181075-00			3000K - 4000h - 5500cd - 24°
AR111-IRC 50+ CDM-T 50 Elite	m. silver			2,60	22181073-00	3000K - 5500lm - Ra 90
AR111-IRC 50+ CDM-T 100 Elite	m. silver			2,60	22181074-00	3000K - 11000 lm - Ra 90



CDM versions are complete with lamp without electronic wiring. Gear box is to be bought separately code 22092016-00 (50W) / 22092018-00 (100W), 22092012-00 (35W) / 22092013-00 (70W).

Shop 2

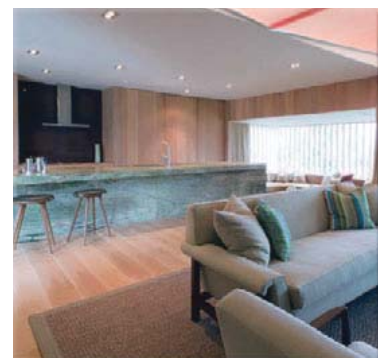
		S+L		Lamps (Ta=25°C)	
wattage/W	colour	weight	code	W tot	Kelvin - ølm - Ra
CDM-T 2x50 Elite	m. silver	2,60	22181076-00	50	3000K - 5500lm - Ra 90
CDM-T 2x100 Elite	m. silver	2,70	22181077-00	85	3000K - 11000 lm - Ra 90

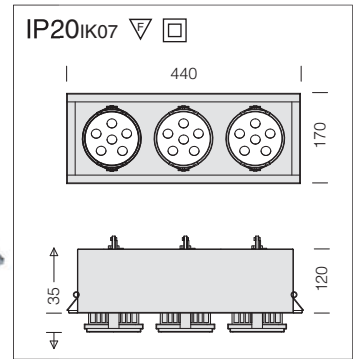
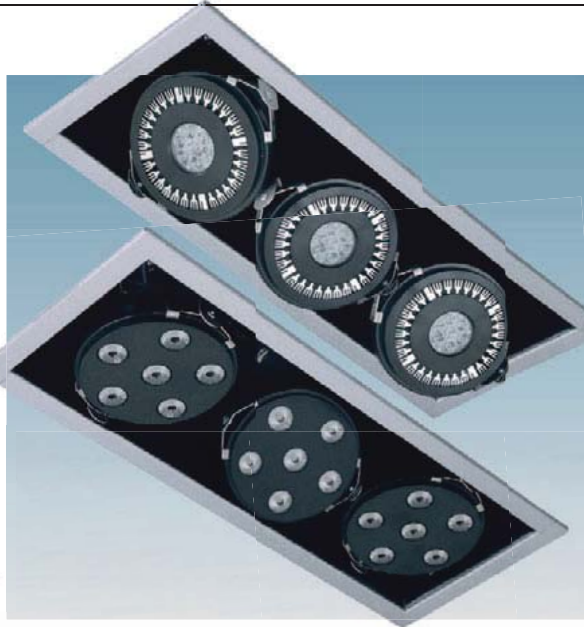
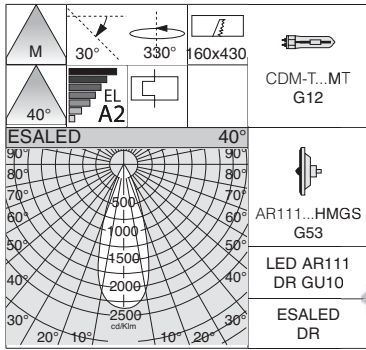
Complete with lamp without box+control code 22092016-00 / 22092018-00.  
On request: housing with a black rim.

Shop 2

		CLD CELL + SL		Lamps (Ta=25°C)	
wattage/W	colour	weight	code	W tot	Kelvin - ølm - Ra
ESALED + CDM-T 35W	m. silver	1,60	22180270-00	50	3000K - 1800lm - 40°+ 3400 lm - Ra 84
ESALED + CDM-T 70W	m. silver	1,60	22180271-00	85	3000K - 1800lm - 40°+ 6200 lm - Ra 83

On request: 10° e 25°





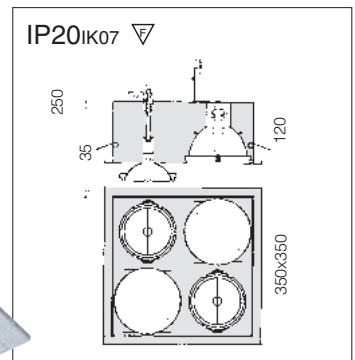
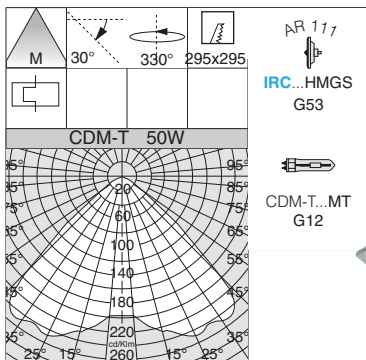
Versions are supplied with IRC lamp and transformer; CDM versions are complete with lamp without electronic wiring. Gear box is to be bought separately code 22092016-00.

Shop 3									
		CLD CELL		CLD CELL + S+L		CLD S+L		Lamps (Ta=25°C)	
wattage/W	color	weight	code	code	code	W tot	Kelvin - ølm - Ra/CRI - degrees		
ESALED 2x + CDM-T 50 Elite	m. silver	2,10		22180272-00			3000K - 2x1800lm - 40° + 3000K - 5500lm - Ra 90		
ESALED 3x1800	m. silver	2,10	22180173-00			54	3000K - 3x1800lm - 40°		
LED 3xAR111	m. silver	2,10			22180178-00	36	3000K - 3x550lm - CRI 82 - 25°		

On request: housing with black rim; ESALED 10° and 25°.

Shop 3					
		CTL-S+L		Lamps (Ta=25°C)	
wattage/W	colour	weight	code	Kelvin - ølm - Ra	
AR111/IRC 2x50+CDM-T 50 Elite	m. silver	2,10	22181078-00	3000K - 4000h - 5800cd + 3000K - 5500lm - Ra 1b	

On request: housing with black rim



Versions are supplied with IRC lamp and transformer; CDM versions are complete with lamp without electronic wiring. Gear box is to be bought separately code 22092016-00.

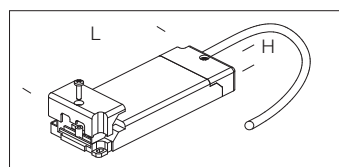
Code	B	H	L
22092012-00	83	32	155
22092016-00	83	32	155
22092018-00	88	39	190

Shop 4					
		CTL-S+L		Lamps (Ta=25°C)	
wattage/W	colour	weight	code	Kelvin - ølm - Ra	
AR111/IRC 2x50+CDM-T 2x50 Elite	m. silver	2,60	22181079-00	3000K - 4000h - 5800cd + 3000K - 5500lm - Ra 90	

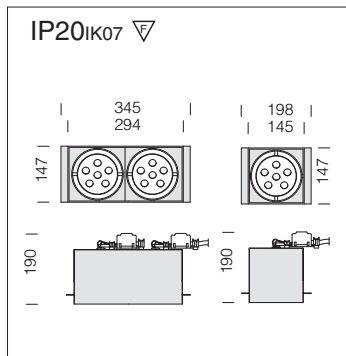
On request: housing with a black rim

Electronic power supply 220-240V 50/60Hz		
wattage/W	colour	code
JM/CDM 35W	white	22092012-00
JM/CDM 50W	white	22092016-00
JM/CDM 100W	white	22092018-00

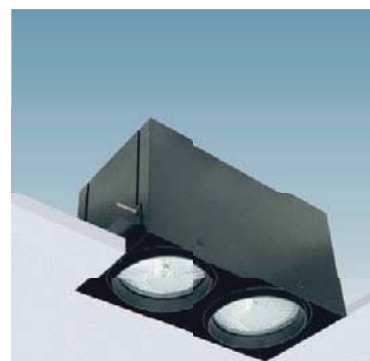
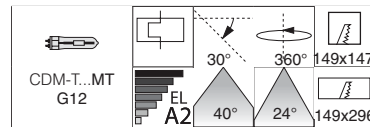
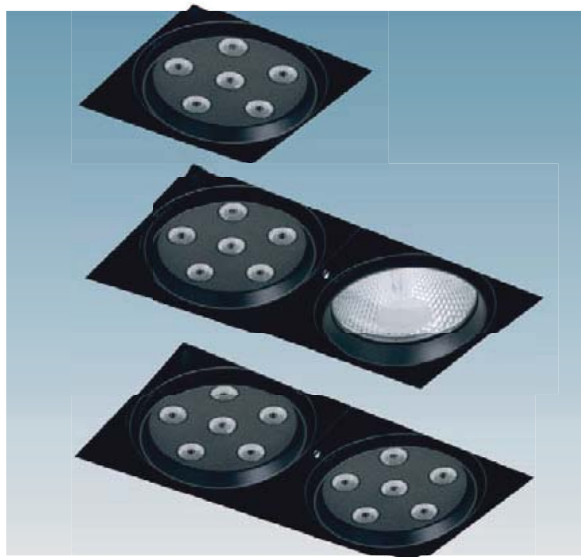
Completed with wire+2-poled plug for spot connection.



**CDM Elite Lamps:** suitable for shopping centres, ideal for enhancing the goods displayed.  
 - Maintenance cost reduction  
 - 10% increase in energy efficiency in contrast with traditional lamps  
 - Excellent colour rendering (Ra 90)  
 - Improved light levels (twice as powerful)  
**CDM-TC Elite 50W: 25% longer life-span, 30% energy saving and lower power consumption compared to Elite 70W.**



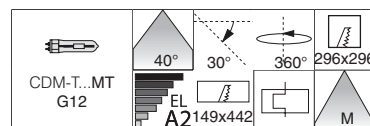
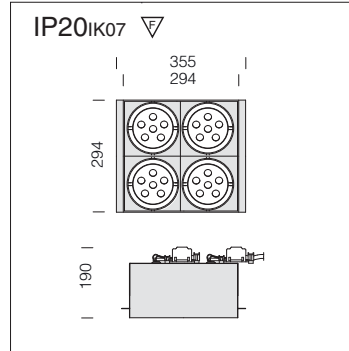
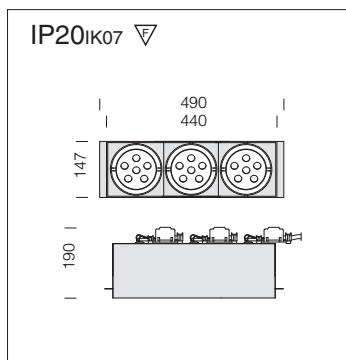
CDM versions are complete with lamp without electronic wiring. Gear box is to be bought separately 22092012-00 (35W) / 22092013-00 (70W).



Shop 5 - flush-finish						
		CELL		CLD CELL	W tot	Lamps (Ta=25°C)
wattage/W	colour	weight	code	code		Kelvin - ølm - Ra
ESALED 18W	black	3,30		22180172-00	20	3000K - 1800lm - 40°
CDM-T 70	black	3,40	22181631-00			3000K - 6200 lm - Ra 83

Shop 6 - flush-finish						
		CELL		CLD CELL	CLD CELL+S+L	Lamps (Ta=25°C)
wattage/W	colour	weight	code	code	W tot	Kelvin - ølm - Ra
ESALED 2x18W	black	3,50		22180174-00		3000K - 2x1800lm - 40°
ESALED + CDM-T 35	black	3,80			22180273-00	3000K - 1800lm - 40° + 3000K - 3400lm - Ra 84
CDM-T 2x70	black	3,40	22181633-00			3000K - 6200 lm - Ra 83

ESALED on request: 10° and 25°.



Shop 7 - flush-finish						
		CELL		CLD CELL	W tot	Lamps (Ta=25°C)
wattage/W	colour	weight	code	code		Kelvin - ølm - Ra
ESALED 3x18W	black	3,50		22180175-00	54	3000K - 3x1800lm - 40°
CDM-T 3x70	black	3,40	22181635-00			3000K - 6200 lm - Ra 83

ESALED on request: 10° and 25°.

CDM versions are complete with lamp without electronic wiring. Gear box is to be bought separately code 22092012-00 (35W) / 22092013-00 (70W).

Shop 7 - flush-finish						
		CLD CELL+S+L		Lamps (Ta=25°C)		
wattage/W	colour	weight	code	Kelvin - ølm - Ra		
ESALED 2x18W + CDM-T 35	black	3,30	22180274-00	3000K - 2x1800lm - 40° + 3000K - 3400lm - Ra 84		

ESALED on request: 10° and 25°.

Shop 8 - flush-finish						
		CELL		Lamps (Ta=25°C)		
wattage/W	colour	weight	code	Kelvin - ølm - Ra		
CDM-T 4x70	black	3,40	22181637-00	3000K - 6200 lm - Ra 83		

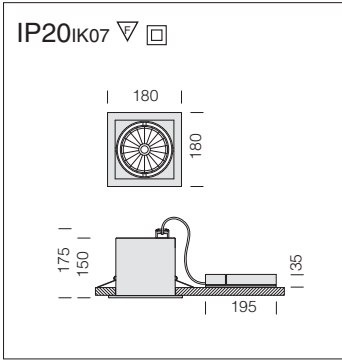




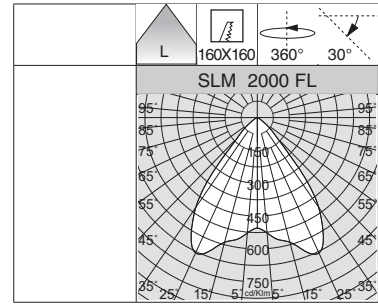
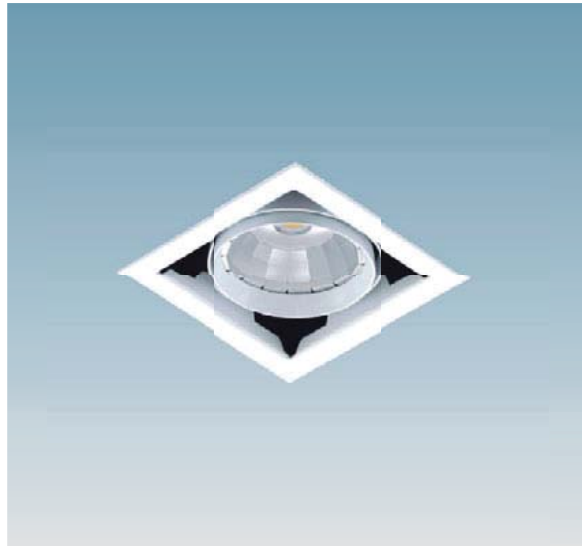


ADJUSTABLE RECESSED  
DOWN LIGHTS





**LED:** does not emit heat in the front and maintains the luminous efficiency ensuring considerable energy savings.

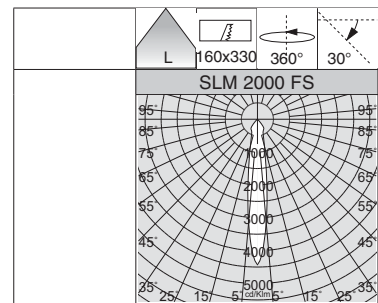
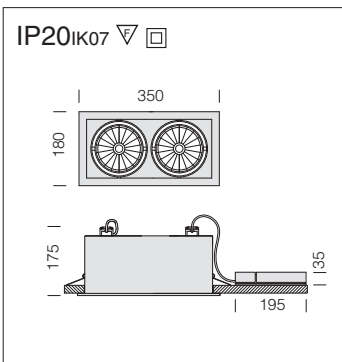


On request: narrow beam.



Store 1 - SLM 2000 GEN III						
		CLD CELL			LED (Ta=25°C)	
wattage/W	colour	weight	code	W tot.	Kelvin - ølm - CRI	
<b>SLM 2000 GEN III 19W</b>	white	1,10	22186210-00	<b>22</b>	3000K - 2000lm - CRI 80	

Store 1 - SLM 3000 GEN III						
		CLD CELL			LED (Ta=25°C)	
wattage/W	colour	weight	code	W tot.	Kelvin - ølm - CRI	
<b>SLM 3000 GEN III 28W</b>	white	1,10	22186310-00	<b>32</b>	3000K - 3000lm - CRI 80	



On request: narrow beam.

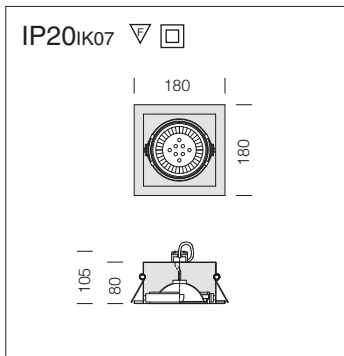


Store 2 - SLM 2000 GEN III						
		CLD CELL			LED (Ta=25°C)	
wattage/W	colour	weight	code	W tot.	Kelvin - ølm - CRI	
<b>SLM 2000 GEN III 2x19W</b>	white	1,10	22186410-00	<b>44</b>	3000K - 2x2000lm - CRI 80	

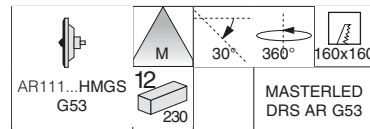
Store 2 - SLM 3000 GEN III						
		CLD CELL			LED (Ta=25°C)	
wattage/W	colour	weight	code	W tot.	Kelvin - ølm - CRI	
<b>SLM 3000 GEN III 2x28W</b>	white	1,10	22186510-00	<b>64</b>	3000K - 2x3000lm - CRI 80	



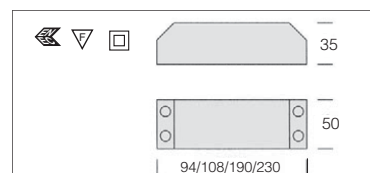




**Housing:** Made of sheet steel.  
**Equipment:** Complete with springs which guarantee perfect attachment to suspended ceiling from 1mm to 25 mm thick.  
**Terminal block:** maximum allowed lead cross section 1,5mm<sup>2</sup>.



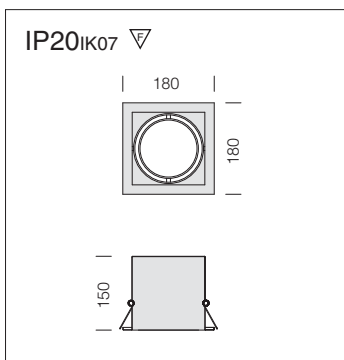
Dim. elec. transformer	
220-240/12V 105W	22090826-00



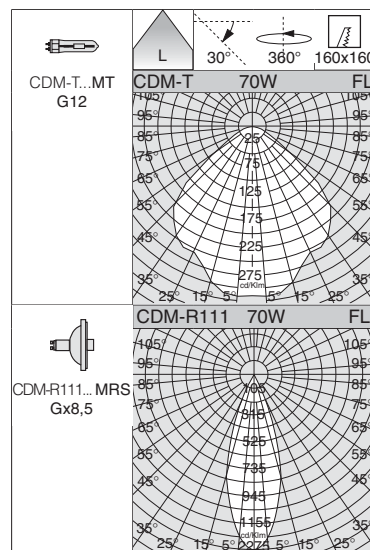
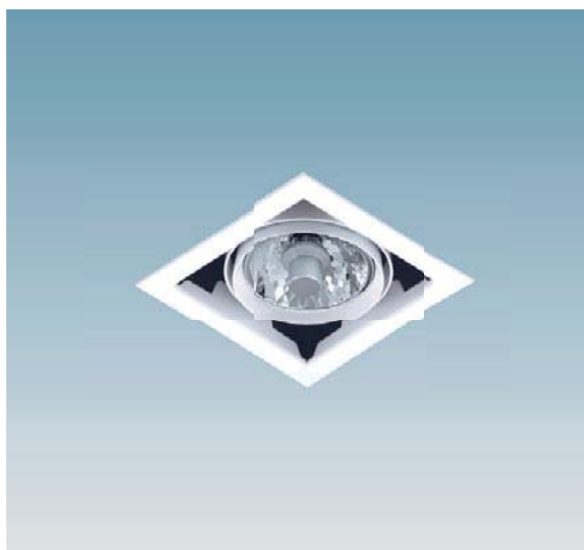
Store 1 - MASTERLED AR111					
		CLD CELL		LED (Ta=25°C)	
wattage/W	colour	weight	code	W tot	h - Kelvin - cd/ølm - CRI - degrees
MASTERLED AR111 15W	white	0,90	22180510-00	16	45000h - 3000K - 4240cd - 745lm - CRI 82 - 24°
MASTERLED AR111 15W	m. silver	0,90	22180570-00	16	

Store 1					
		S+L		Lamps (Ta=25°C)	
wattage/W	colour	weight	code	Kelvin - ølm - Ra	
AR111 75	white	0,90	22181210-00	3000K - 3000h - 5300cd	
AR111 75	m. silver	0,90	22181270-00		

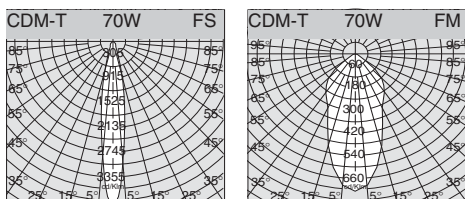
To be completed with transformer code 22090826-00 (105W).



Equipped with electronic ballast for discharge lamps.  
**Reflector:** prismatic and polished aluminium



Store 1					
		CELL		Lamps (Ta=25°C)	
wattage/W	colour	weight	code	Kelvin - ølm - degrees	
CDM-R111 70 (fig.2)	white	1,50	22181414-00	3000K - 15000cd - Ra 81 - 40°	
CDM-R111 70 (fig.2)	m. silver	1,50	22181474-00		
CDM-T 35	white	1,50	22181219-00	3000K - 3400 lm - Ra 84	
CDM-T 70	white	1,50	22181211-00		
CDM-T 70	m. silver	1,50	22181273-00	3000K - 6200 lm - Ra 83	



For the CDM-T versions narrow and medium beam are available on request.

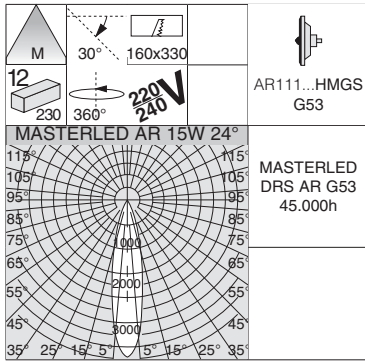


LED





LED

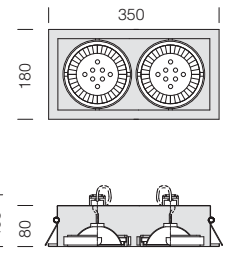


AR111...HMGS G53

MASTERLED DRS AR G53 45.000h



IP20IK07



Dimmable elect. transformer

220-240/12V - 150W 22090836-00

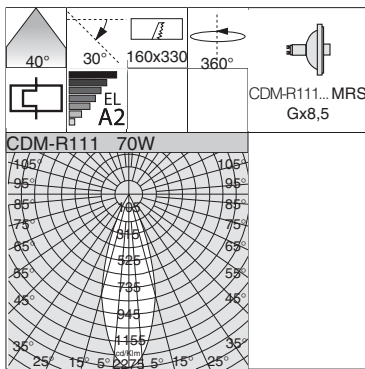
Store 2 - MASTERLED AR111

		CLD CTL		W tot.	LED (Ta=25°C)
wattage/W	colour	weight	code		Kelvin - cd/olm - CRI - degrees
MASTERLED AR111 2x15	white	1,50	22180511-00	32	3000K - 2x4240cd - 2x745lm - CRI 82 - 24°
MASTERLED AR111 2x15	m. silver	1,50	22180571-00		

Store 2

		S+L		Lamps (Ta=25°C)
wattage/W	colour	weight	code	Kelvin - olm - degrees
AR111 2x75	white	1,50	22181212-00	3000K - 3000h - 5300cd - 24°
AR111 2x75	m. silver	1,50	22181272-00	

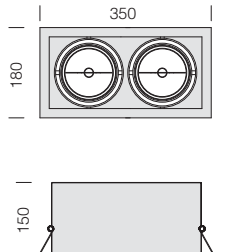
To be completed with transformer code 22090836-00 (150W).



CDMR111...MRS Gx8,5

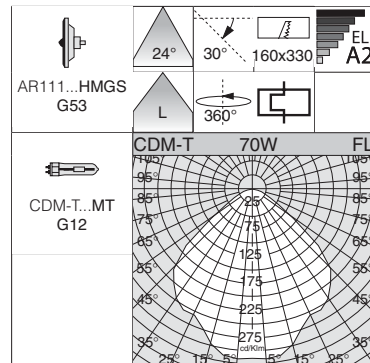
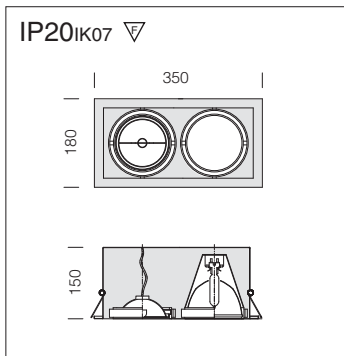


IP20IK07

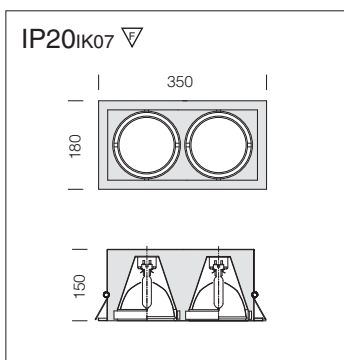


Store 2

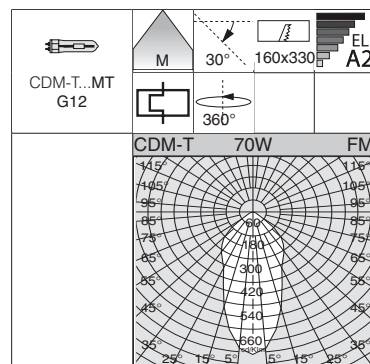
		CELL		Lamps (Ta=25°C)
wattage/W	colour	weight	code	Kelvin - olm - degrees
CDM-R111 2x70	white	2,50	22181413-00	3000K - 15000cd - Ra81 - 40°
CDM-R111 2x70	m. silver	2,50	22181475-00	



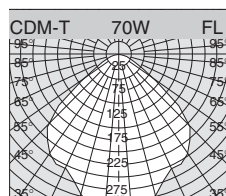
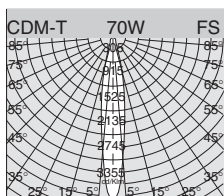
Store 2				
		CTL + CELL		Lamps (Ta=25°C)
wattage/W	colour	weight	code	Kelvin - h - cd/ølm - Ra
AR111/75 + CDM-T70	white	2,40	22181213-00	3000K - 3000h - 5300cd +
AR111/75 + CDM-T70	m. silver	2,40	22181279-00	3000K - 6200lm - Ra 83



Complete with electronic ballast for discharge lamps.

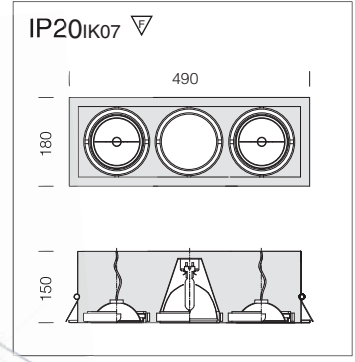
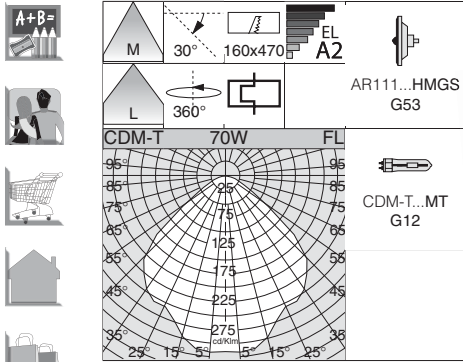


Store 2				
		CELL		Lamps (Ta=25°C)
wattage/W	colour	weight	code	Kelvin - ølm - Ra
CDM-T 2x70	white	2,70	22181214-00	3000K - 6200 lm - Ra 83
CDM-T 2x70	m. silver	2,70	22181274-00	



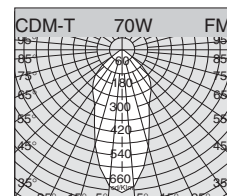
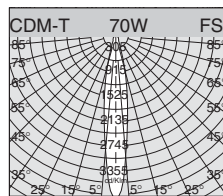
For the CDM-T versions narrow and medium beam are available on request.



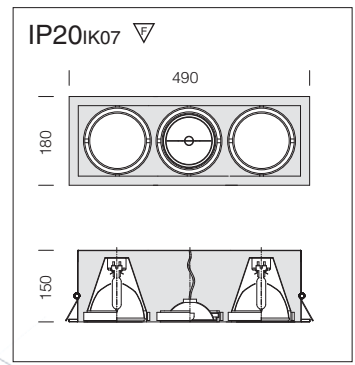
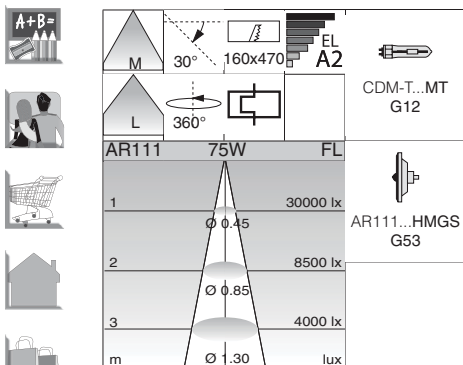


Reflector for CDM-T: prismatic and polished aluminium

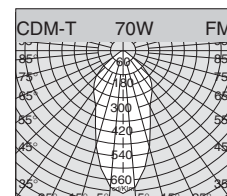
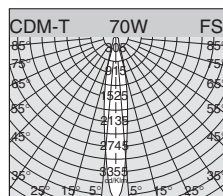
Store 3				
		CTL + CELL		Lamps (Ta=25°C)
wattage/W	colour	weight	code	Kelvin - ølm - Ra
AR111 2x75 + CDM-T 70	white	3,00	22181215-00	3000K-3000h-5300cd + 3000K-6200 lm-Ra 83
AR111 2x75 + CDM-T 70	s. silver	3,00	22181275-00	



For the CDM-T versions narrow and medium beam are available on request.

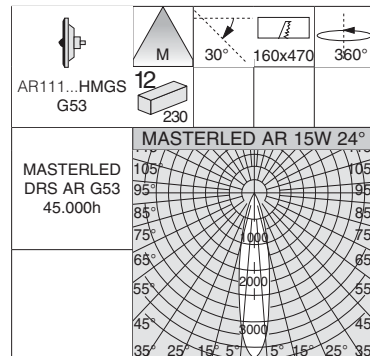
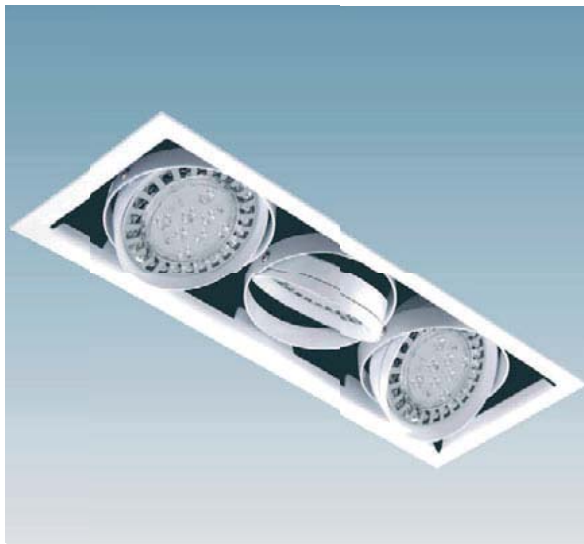
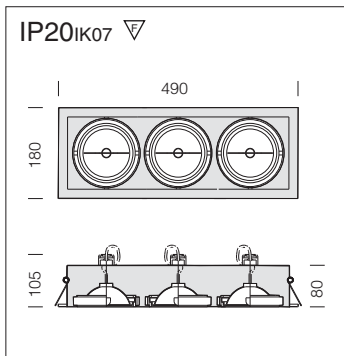


Store 3				
		CTL + CELL		Lamps (Ta=25°C)
wattage/W	colour	weight	code	Kelvin - ølm - Ra
CDM-T 2x70 + AR111 75	white	3,00	22181217-00	3000K-6200 lm-Ra 83 + 3000K-3000h-5300cd
CDM-T 2x70 + AR111 75	s. silver	3,00	22181277-00	



For the CDM-T versions narrow and medium beam are available on request.



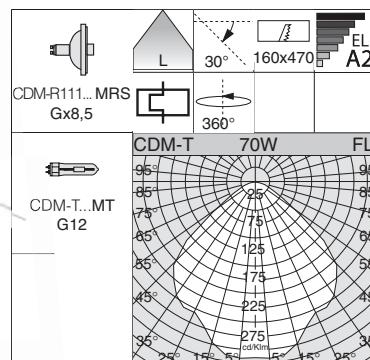
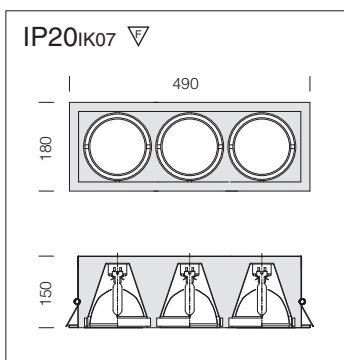


Store 3 - MASTERLED AR111					
		CLD CELL		W tot.	LED (Ta=25°C)
wattage/W	colour	weight	code		Kelvin - cd/ølm - CRI - degrees
MASTERLED AR111 3x15W	white	2,10	22180512-00	48	3000K - 3x4240cd - 3x745lm - CRI 82 - 24°
MASTERLED AR111 3x15W	s. silver	2,10	22180572-00		

Dim. elec. transformer	
220-240/12V 105W	22090826-00
220-240/12V 150W	22090836-00

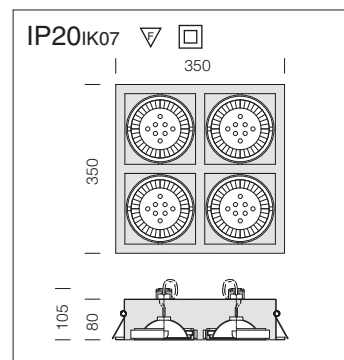
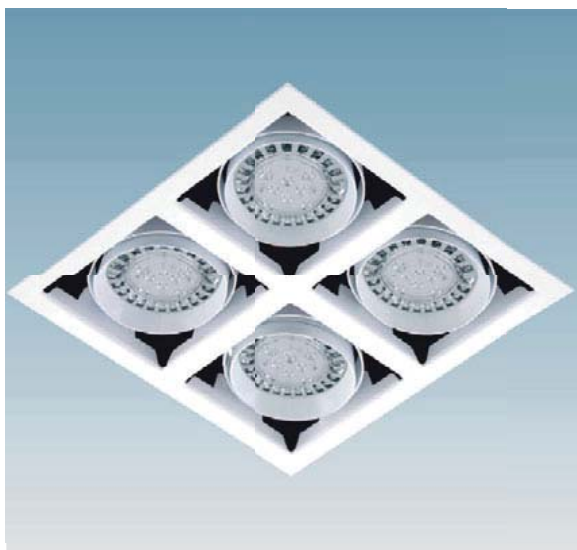
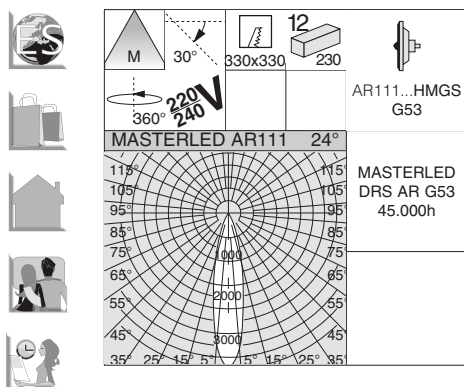
Store 3				
		S+L		Lamps (Ta=25°C)
wattage/W	colour	weight	code	Kelvin - h - cd
AR111 3x75	white	2,10	22181216-00	3000K - 3000h - 5300cd
AR111 3x75	s. silver	2,10	22181276-00	3000K - 3000h - 5300cd

To be complete with transformers code 22090836-00 (150W) and code 22090826-00 (105W).



Store 3				
		CELL		Lamps (Ta=25°C)
wattage/W	colour	weight	code	Kelvin - ølm - Ra - degrees
CDM-T 3x70	white	2,10	22181218-00	3000K - 6200 lm - Ra 83
CDM-T 3x70	s. silver	2,10	22181278-00	3000K - 6200 lm - Ra 83
CDM-R111 3x70	white	2,10	22181415-00	3000K - 15000cd - Ra 81 - 40°
CDM-R111 3x70	s. silver	2,10	22181476-00	3000K - 15000cd - Ra 81 - 40°





Dim. elec. transformer	
220-240/12V	22090836-00
150W	

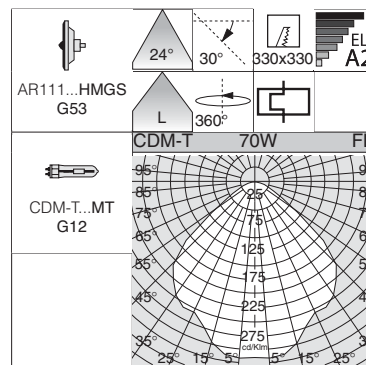
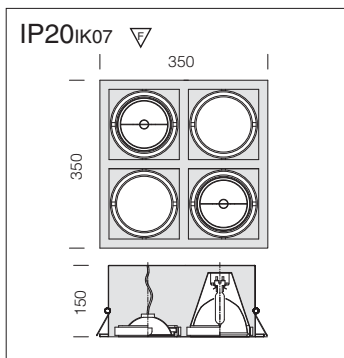
HOTEL  
★★★★

LED



Store 4 - MASTERLED AR111					
		CLD CELL		LED (Ta=25°C)	
wattage/W	colour	weight	code	W tot.	Kelvin - cd/ølm - CRI - degrees
MASTERLED AR111 4x15	white	3,10	22180513-00	64	3000K - 4x4240cd 4x745lm - CRI 82 - 24°

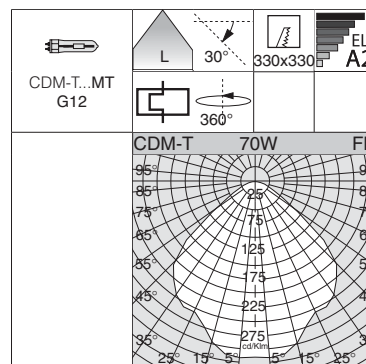
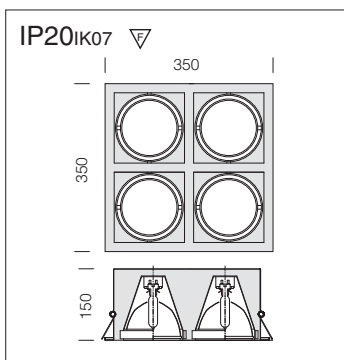
Store 4					
		S+L		Lamps (Ta=25°C)	
wattage/W	colour	weight	code	Kelvin - ølm - Ra	
AR111 4x75	white	3,10	22181310-00	3000K - 3000h - 5300cd - 24°	
To be completed with 2 transformers code 22090836-00 (150W).					



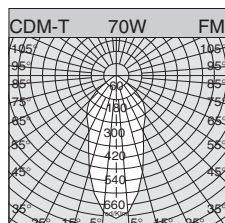
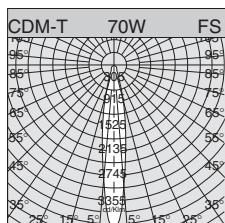
Store 4				
		CTL + CELL		Lamps (Ta=25°C)
wattage/W	colour	weight	code	Kelvin - h - cd/ølm - Ra
AR111 2x75/CDM-T 2x70	white	4,80	22181311-00	3000K-3000h-5300cd + 3000K-6200lm-Ra 83



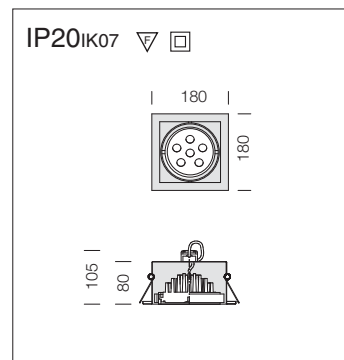
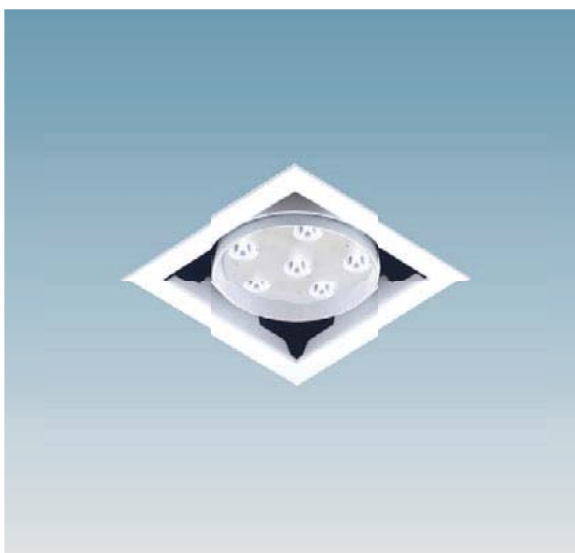
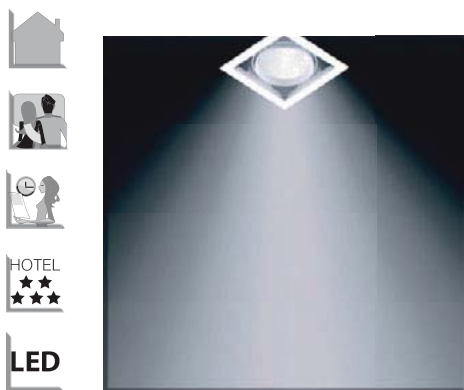
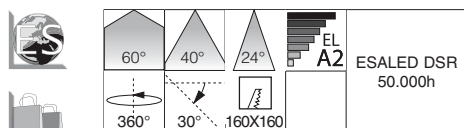
ADJUSTABLE RECESSED DOWN LIGHTS



Store 4				
		CELL		Lamps (Ta=25°C)
wattage/W	colour	weight	code	Kelvin - ølm - Ra
CDM-T 4x70	white	3,10	22181312-00	3000K - 6200lm - Ra 83



For the CDM-T versions narrow and medium beam are available on request.



Store LED is available in mixed versions, with different ON/OFF and beam angles including 24°, 40° and 60°.

On request: DALI and 1-10V version.

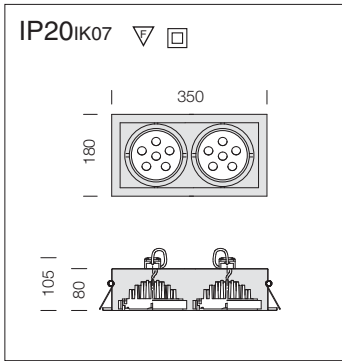
HOTEL  
★★★★

LED

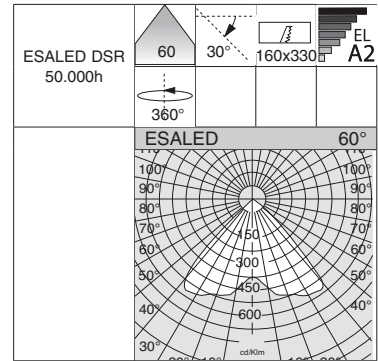
Store 1 ESALED - Professional					
		CLD CELL		LED (Ta=25°C)	
wattage/W (1A)	colour	weight	code	W tot.	Kelvin - ølm (1A) - degrees
ESALED 18W	white	1,10	22180410-00	20	3000 K - 1800 lm - 60°
ESALED 18W	m. silver	1,10	22180470-00		
ESALED 18W	white	1,10	22181410-00		
ESALED 18W	m. silver	1,10	22181470-00		

On request 24° - 40° (On request: 1 hour emergency version).

LED: high efficiency Esalet type, with heat sink, longer working life, CRI 80 index.

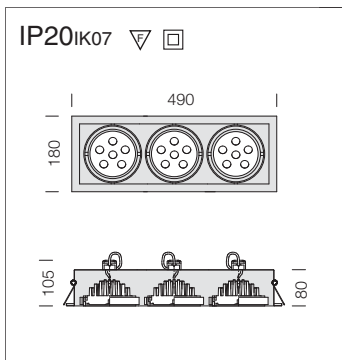


**LED:** high efficiency Esaled type, with heat sink, longer working life, CRI 80 index.

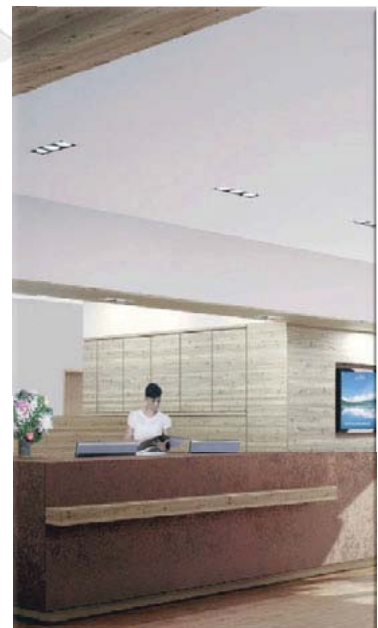
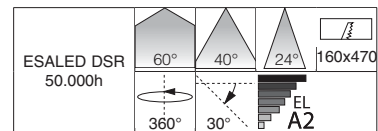


Store 2 ESALED - Professional					
		CLD CELL		W tot.	LED (Ta=25°C)
wattage/W (1A)	colour	weight	code		Kelvin - ølm (1A) - degrees
ESALED 2x18W	white	1,70	22180411-00	40	3000 K - 2x1800 lm - 60°
ESALED 2x18W	m. silver	1,70	22180471-00		
ESALED 2x18W	white	1,70	22181411-00		4000 K - 2x2000 lm - 60°
ESALED 2x18W	m. silver	1,70	22181471-00		

2 separate switch. On request 24° - 40°.



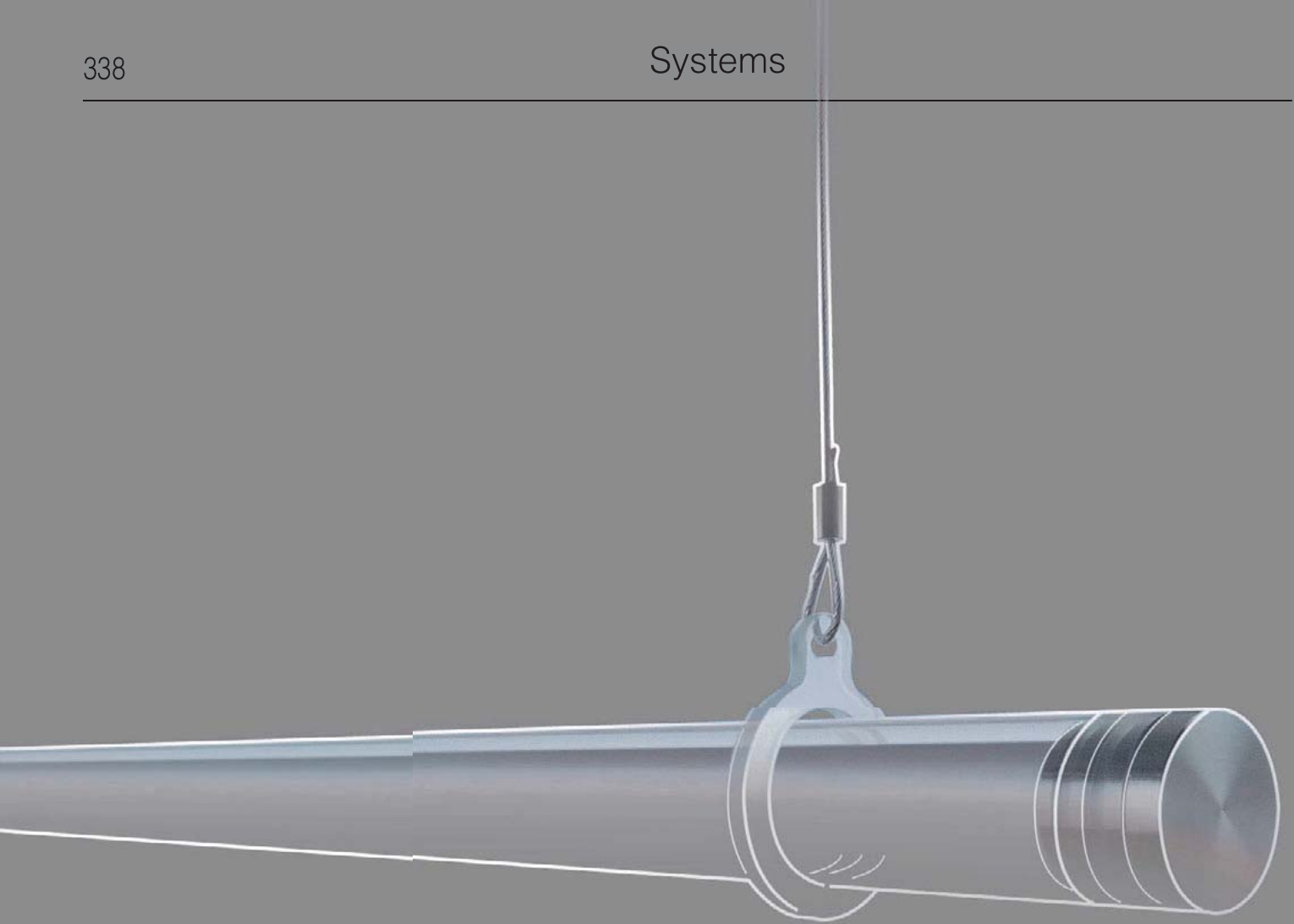
**LED:** high efficiency Esaled type, with heat sink, longer working life, CRI 80 index.



Store 3 ESALED - Professional					
		CLD CELL		W tot.	LED (Ta=25°C)
wattage/W (1A)	colour	weight	code		Kelvin - ølm (1A) - degrees
ESALED 3x18W	white	2,50	22180412-00	54	3000 K - 3x1800 lm - 60°
ESALED 3x18W	m. silver	2,50	22180472-00		
ESALED 3x18W	white	2,50	22181412-00		4000 K - 3x2000 lm - 60°
ESALED 3x18W	m. silver	2,50	22181472-00		

3 separate switch. On request 24° - 40°.







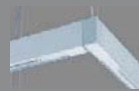
Disseny Center of Barcelona **p. 340**



Linea LED **p. 366**



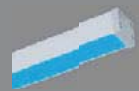
Liset **p. 342**  
(suspended,  
wall and ceiling  
version)



Liset - accessories **p. 348**



Liset IP65 **p. 352**



Liset IP65 RGB **p. 354**



Liset IP65 - accessories **p. 356**



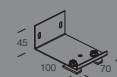
Liset - emergency KIT **p. 357**



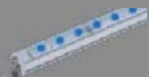
Maxi Liset IP40 **p. 376**



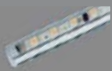
Maxi Liset IP54 **p. 377**



Maxi Liset - accessories **p. 379**



Micro Liset RGB **p. 359**



Micro Liset **p. 358**



micro Liset high performance **p. 361**



Micro Liset continuous line **p. 362**



Micro Liset opal **p. 363**



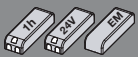
Micro Liset IP65 **p. 364**



Micro Liset recessed **p. 365**



Micro Liset cylindrical **p. 368**



Micro Liset emergency KIT **p. 368**



Minilinea **p. 380**



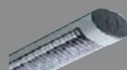
Mini Liset **p. 351**



LED Strip RGB **p. 370**



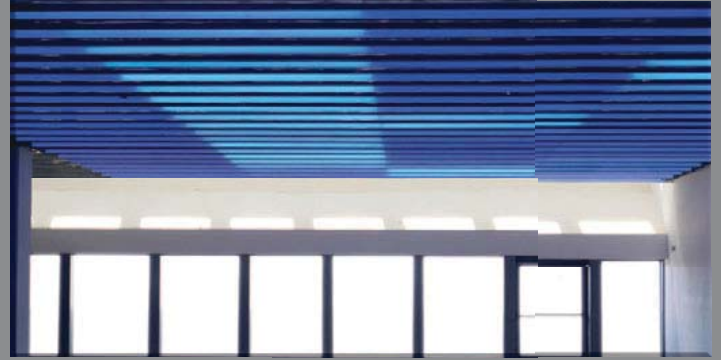
LED Strip **p. 372**



Ovale **p. 384**

### Special products for special spaces

Fosnova can fully meet any technical, design and commercial need of designers and architects.

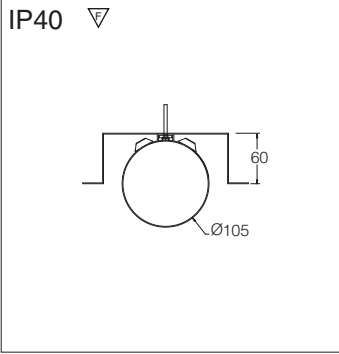


An attraction-based design concept presents interesting architectural challenges for the urbanscape. After the success of the Kubirk project installed along the Spree river in Berlin, **dynamic lighting** now arrives in Barcelona.

The project for the Centre de Disseny takes life from the bottom up, combining different colours to create a truly exciting visual experience. Each cylinder, with a variable length from 2 to 3 metres, is lit by a series of LEDs installed on ad hoc supports, designed to be integrated into a highly performing structure. With **DMX systems** and adequate software, you can achieve the objective of entertaining the audience with a sophisticated control program for each individual light source.

The entire scene, which can be controlled like “dynamic music”, transforms the **Centre de Disseny in Barcelona** into a unique building where light turns into a second skin, like a fluid and dynamic line over the audience.





**Housing:** self-extinguishing V0 shatterproof matt polycarbonate tube.

**LED:** RGBW, possibility to change RGB colours and add the white colour.

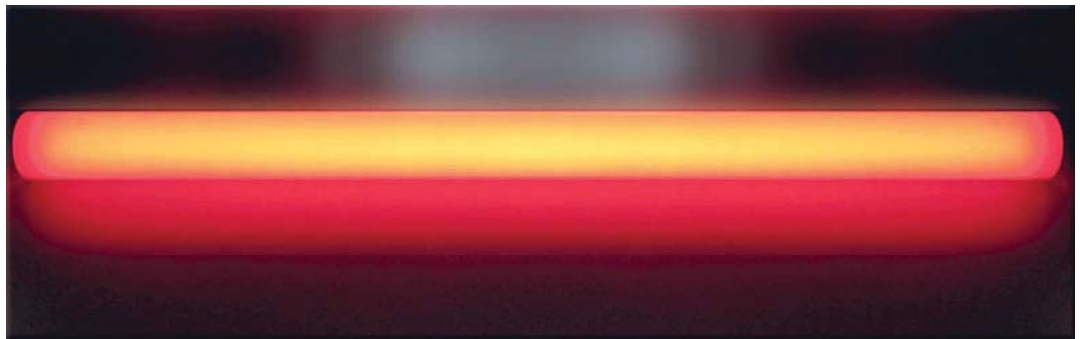
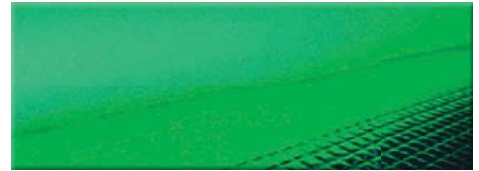
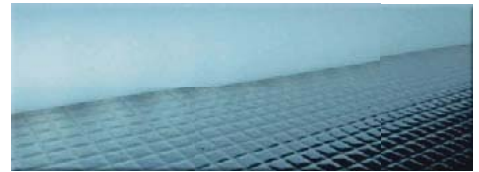
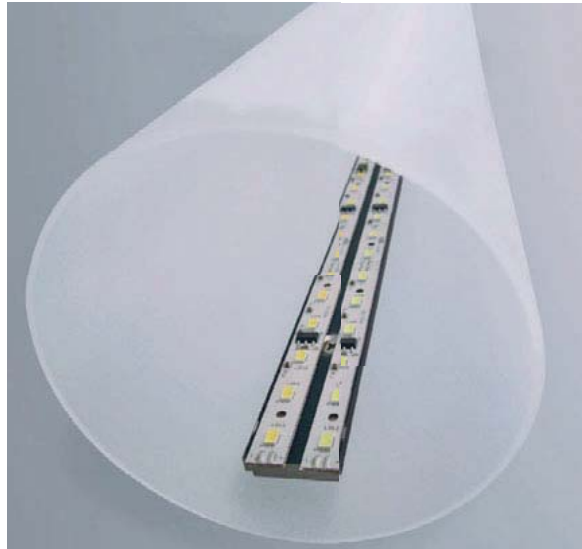
**Led Power (tot. W):**  
58W (33W WHITE) + (25W RGB)

**Power supply:** 24V/230V - 50Hz

**Dimensions:** length variable from 1 to 3 m.

**Upon request:** available with DMX control (512 channels).

**Mounting:** in continuous line, suspended or wall-mounted.

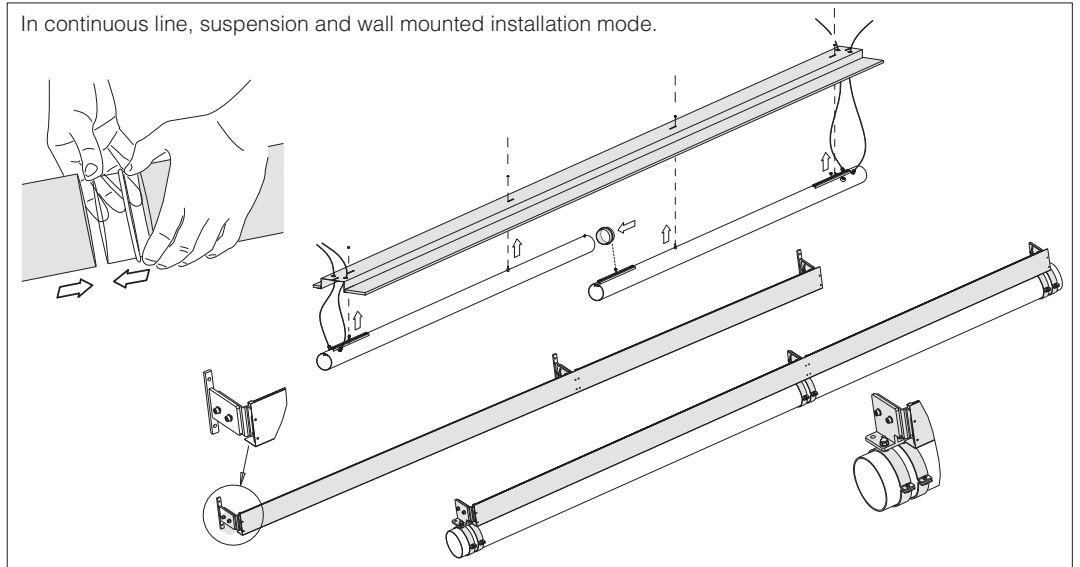
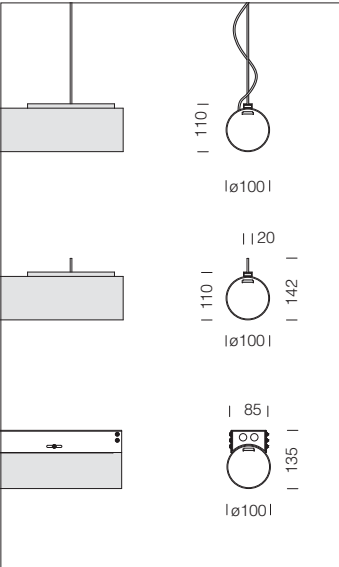


**EXAMPLE OF INSTALLATION ON PROJECT CONCEPT:**

Standard use: Maxiliset standard	
Configuration	
5 LEDs every 300 mm	To be used when the standard configuration does not meet the design specifications
Standard catalogue version.	



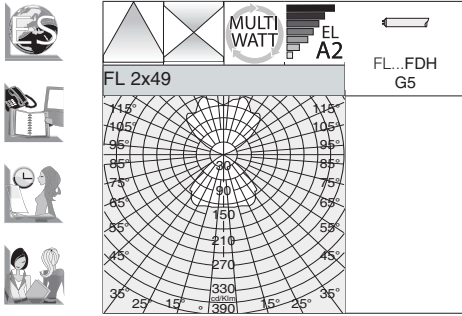
LED lighting as customer's request	
New configuration	
6 LEDs every 225 mm	The new configuration will create a highly efficiency product that can use 18 LEDs in only 700 mm.
Example of variable version.	



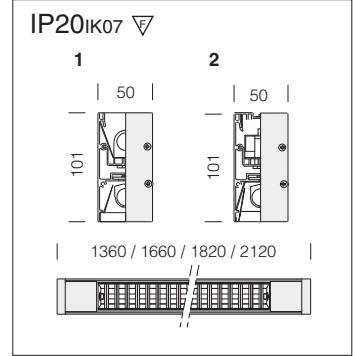




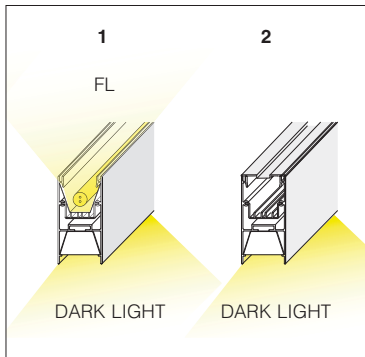
SYSTEMS



Supplied with **multiwatt** ballast, which enables to use different lamps in the same lighting fixture. This flexibility allows different applications by simply replacing the lamp, so as to obtain customized light effects at work and suitable light levels.



**Lamps should be purchased separately. Dark light optic:** honeycombed with double parabolic optic; in matt, anti-reflective and anti-irradiance 99.99 % aluminium with very low luminance and PVD treatment to optimise luminous efficiency.

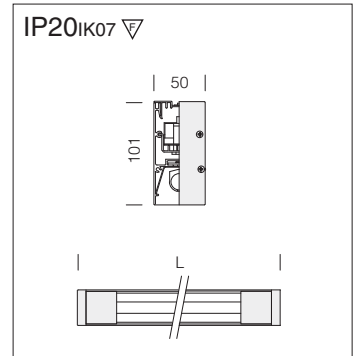
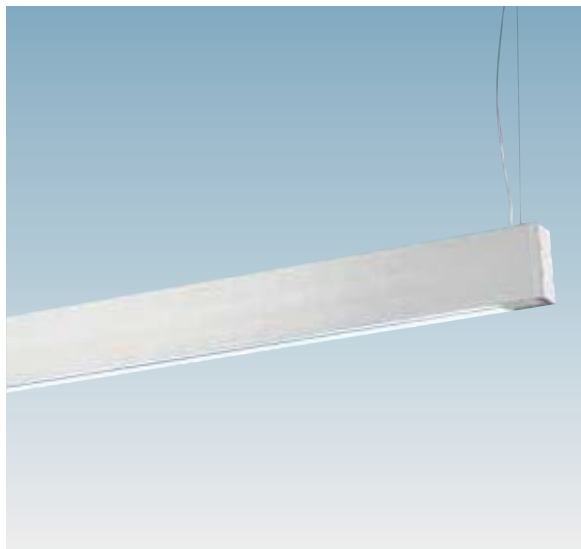
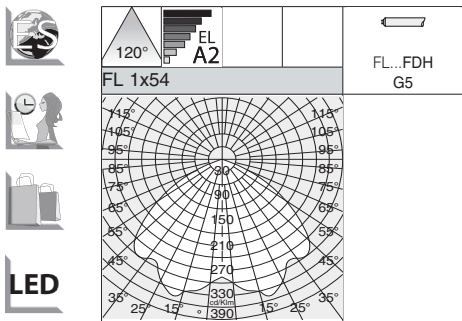


Liset - indirect/direct light dark light optic - 1			
		CELL	
wattage/W	colour	Dimension	code
<b>FL 2x28/54</b>	natural oxi.alum.	1820	220 <b>16374</b> -00
<b>FL 2x35/49</b>	natural oxi.alum.	2120	220 <b>16379</b> -00

Suspensions are to be acquired separately.

Liset - direct light dark light optic - 2			
		CELL	
wattage/W	colour	Dimension.	code
<b>FL 1x28/54</b>	natural oxi.alum.	1360	220 <b>16375</b> -00
<b>FL 1x35/49</b>	natural oxi.alum.	1660	220 <b>16376</b> -00

Suspensions are to be acquired separately.

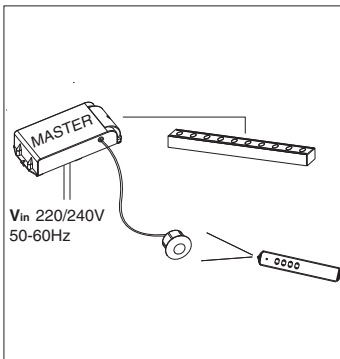
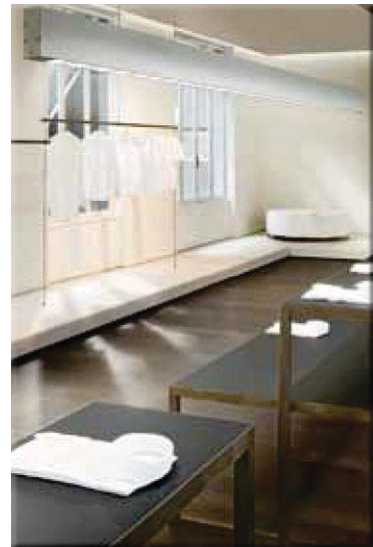
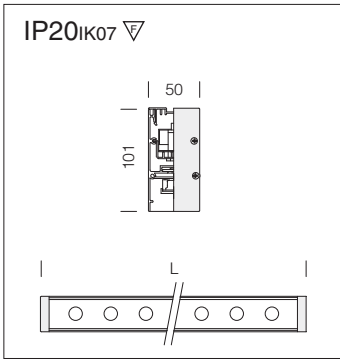


Liset - suspension				
		CELL		Lamps (Ta=35°C)
wattage/W	colour	Dimension	code	Kelvin - ølm - Ra
<b>FL 1x54 + track</b>	natural oxi.alum.	1740	220 <b>16175</b> -00	4000K - 5000 lm - Ra 1b
<b>FL 1+1x54</b>	natural oxi.alum.	1740	220 <b>16473</b> -00	4000K - 5000 lm - Ra 1b
<b>FL 1x54</b>	natural oxi.alum.	1360	220 <b>16571</b> -00	4000K - 5000 lm - Ra 1b

The suspension and screen should be purchased separately. Life Lamps T5: 18.000h.

Liset - suspension with LED					
		CLD CELL		Lamps (Ta=35°C)	LED
wattage/W	colour	Dimension	code	Kelvin - ølm - Ra	
<b>track+LED blue</b>	natural oxi.alum.	1360	220 <b>15978</b> -00	5000lm	65 * / 80
<b>FL 1x54 + LED blue</b>	natural oxi.alum.	1360	220 <b>15976</b> -00	4000K - 5000lm - Ra1b	

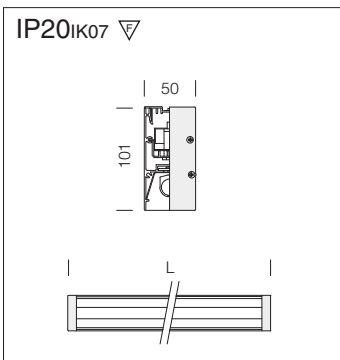
On request coloured LED version. Life Lamps T5: 18.000h. \* 5 LED for 100mm - LFSA B3 Blue.



Liset - suspension with POWER LED					
		CLD CELL		LED (Ta=25°C)	
wattage/W (350mA)	colour	Dimen.	code	W tot	K - ølm 350mA
9x1,1W LED white	natural oxi.alum.	1000	22016075-00	11	6000K - 9x130lm

Liset - suspension with POWER LED RGB					
		CLD CELL		LED	
wattage/W	colour	Dimen.	code	W tot	ølm 350mA
9x3,2W LED RGB	natural oxi.alum.	1000	22016074-00	28,8	R=30 G=40 B=9

Equipped with 9 LED RGB of 3,2W. Equipped with Master and Receptor IRE. For multiple installations, please purchase Slave with code 22090871-00. Max 99 Liset code 22016074-00. Max 99 Liset cod. 22016074-00.

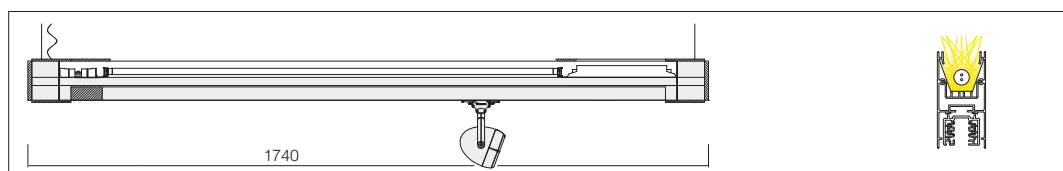


Liset - ceiling version					
		CELL		Lamps (Ta=35°C)	
wattage/W	colour	Dimen.	code	code	Kelvin - ølm - Ra
FL1x49	natural oxi.alum.	1660	22016276-00		4000K-4900lm-Ra1b
FL1x54*	natural oxi.alum.	1360	22016271-00		4000K-5000lm-Ra 1b
direct track	natural oxi.alum.	1360		22016274-00	

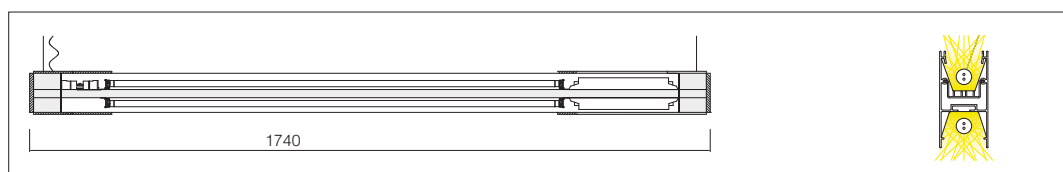
For ceiling mounting use tie rod code 22025873-00. \*screen should be purchased separately.



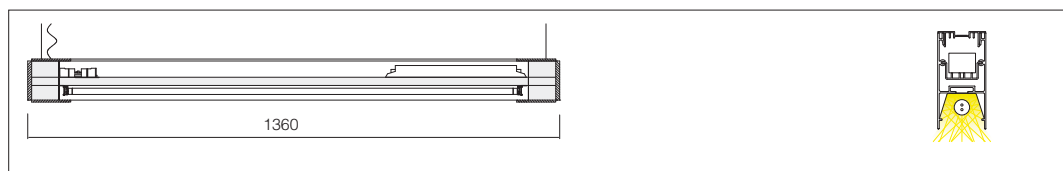
Suspension Liset 1x54W  
Track-mounting + indirect light  
Code 22016175-00



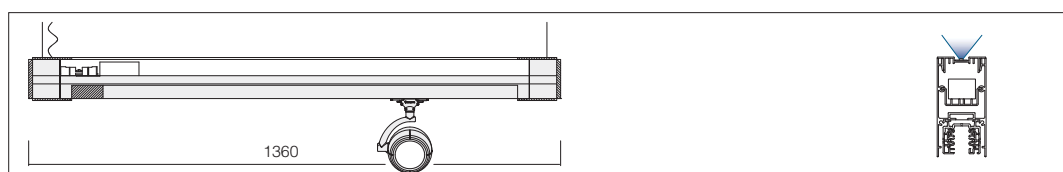
Suspension Liset 1x54W  
Direct light + indirect light  
Code 22016473-00



Suspension Liset 1x54W  
Code 22016571-00

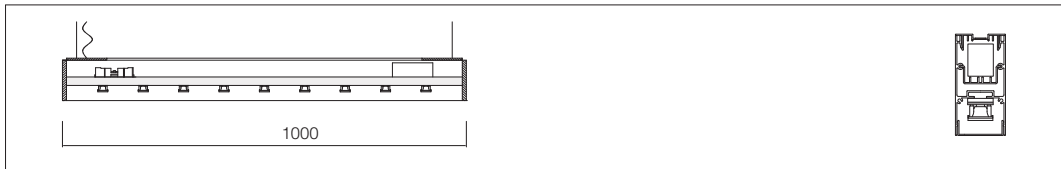


Suspension Liset  
Track-mounting + Indirect blue LED  
Code 22015978-00

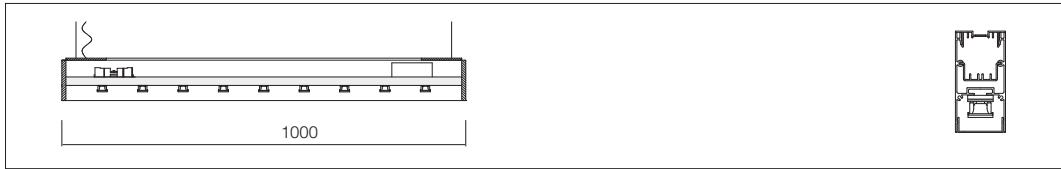


Suspension Liset 1x54W  
Direct light + Indirect blue LED  
Code 22015976-00

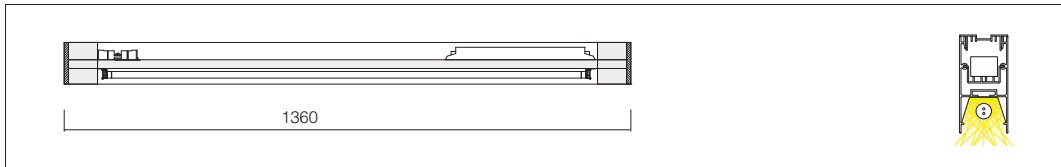




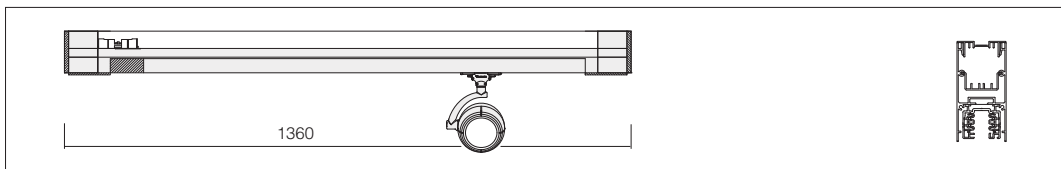
Suspension Liset Power LED  
Direct light  
Code 22016075-00



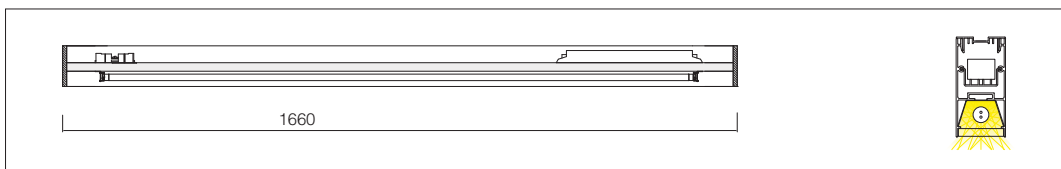
Suspension Liset Power LED RGB  
Direct light  
Code 22016074-00



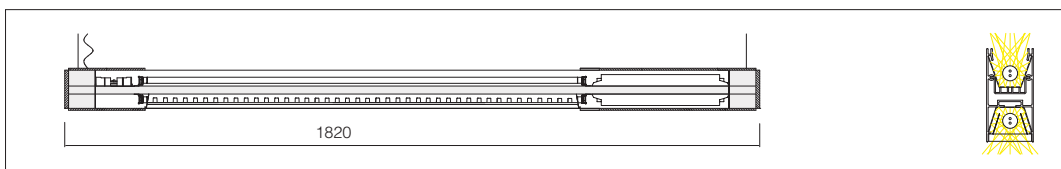
Liset ceiling fixture 1x54W  
Code 22016271-00



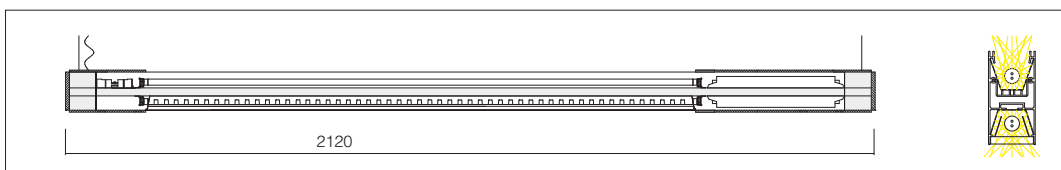
Liset ceiling fixture  
Track-mounting  
Code 22016274-00



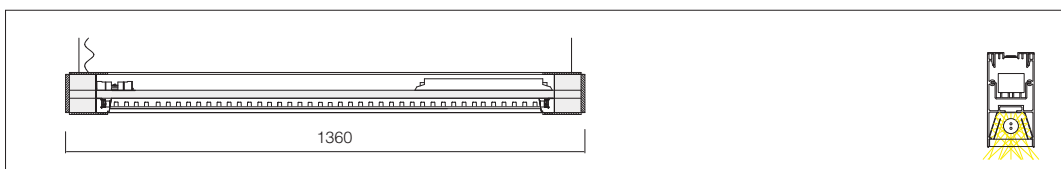
Liset ceiling fixture 1x49W  
Code 22016276-00



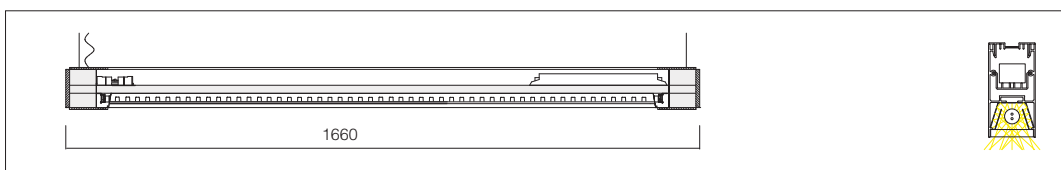
Suspension Liset 1 + 1 28/54W  
High-gloss optics with direct/indirect light  
Code 22016374-00



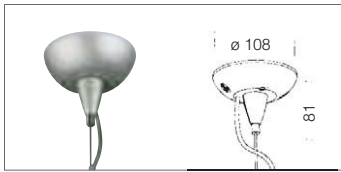
Suspension Liset 1 + 1 35/49W  
High-gloss optics with direct/indirect light  
Code 22016379-00



Suspension Liset 1x28/54W  
High-gloss optics with direct light  
Code 22016375-00



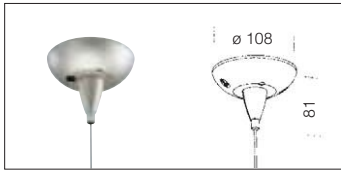
Suspension Liset 1x35/49W  
High-gloss optics with direct light  
Code 22016376-00



Powered suspension	
100 cm	22003173-00
Supplied with steel wire, millimetre adjustment device, and power cord. Max load: 20 Kg. Length 100 cm.	



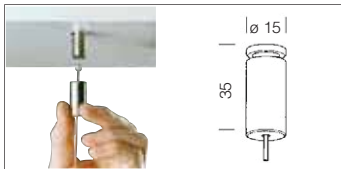
Suspension with rods	
50 cm	22003177-00
Complete with rods. Max loading: 30Kg. Length: 50cm - ø10 mm.	



Suspension	
100 cm	22003171-00
Supplied with steel wire and millimetre adjustment device. Max load: 20 kg.	



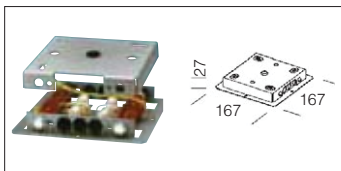
Powered suspension with rods	
50 cm	22003175-00
Complete with power cord and rods. Max loading: 30Kg. ø10 mm.	



Suspension	
galvanised	22003166-00
Supplied with steel wire (l=1,75m) and millimetre adjustment device. Max load: 20 kg.	



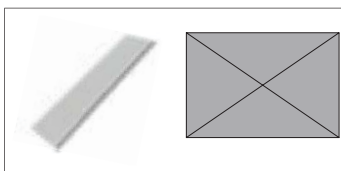
Suspension with wire	
100 cm	22003176-00
Complete with steel wire and millimetre adjustment device. Max load: 20 kg.	



Small junction box	
m. silver	22005473-00
It is recommended for wall/ceiling application in a single/multiple composition. Contains clamp for power connection.	

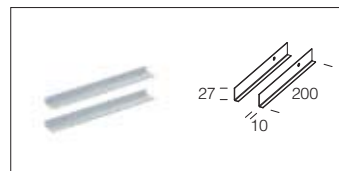


Powered suspension with wire	
100 cm	22003174-00
Supplied with steel wire and millimetre adjustment device and power cord. Max loading: 20Kg	

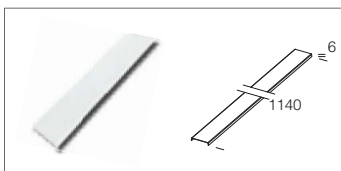


Transparent direct diffuser	
54/28W	22025802-00

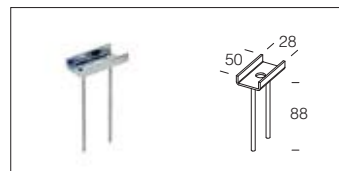
Opal direct diffuser	
54/28W	22025803-00



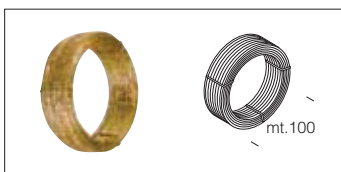
Alignment brackets	
22025875-00	
Utilize for Liset installation in continuous line.	



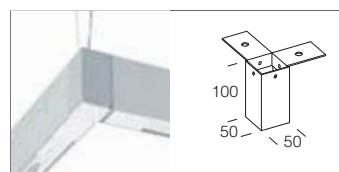
Diffuser	
54/28W	22025807-00
To be used to prevent the accumulation of dust inside the lamp compartment.	



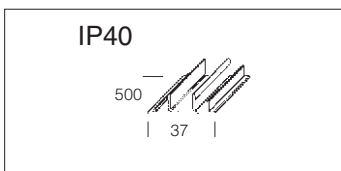
Ceiling tie-rod	
22025873-00	
Utilize for direct ceiling Liset installation.	



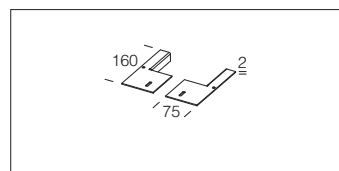
Suspension wire	
steel	22005226-00
In steel wire. For simple and powered suspension	



Angle joint	
22025874-00	
Utilize for Liset right angle installation.	



Cover for IP40	
White alum.	22025515-00
Black alum.	22025533-00
Nat.oxy.alum.	22025572-00
To install when Liset is completed with track as a IP40 cover, according to CEI EN 60529 standard.	



Brackets	
22005383-00	
Steel. To be utilized for Compendio installation on Liset.	

LED

FL

GEARS

OMNITRACK

FL

FL

LED

OMNITRACK

FL

OMNITRACK

FL

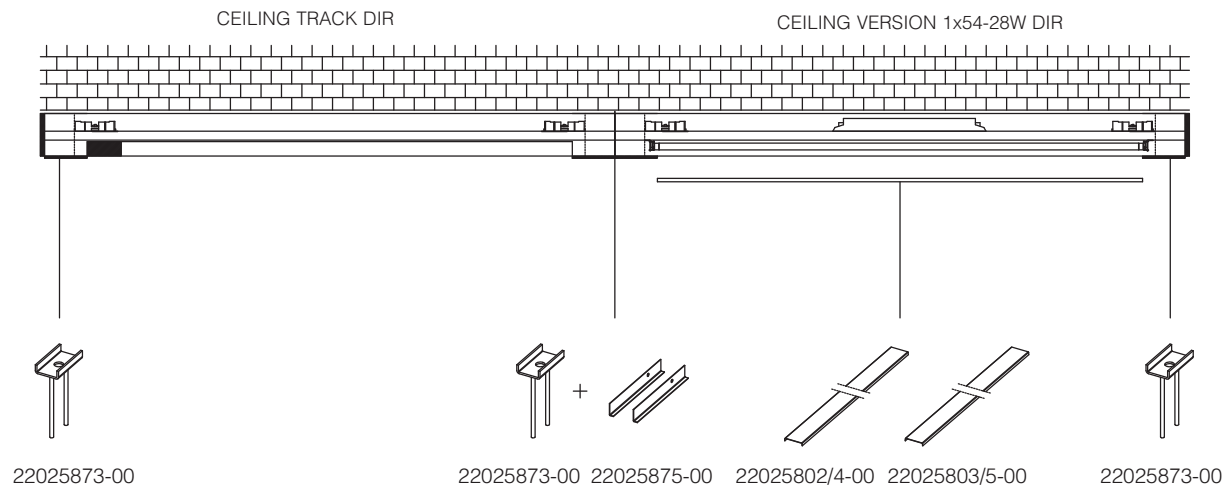
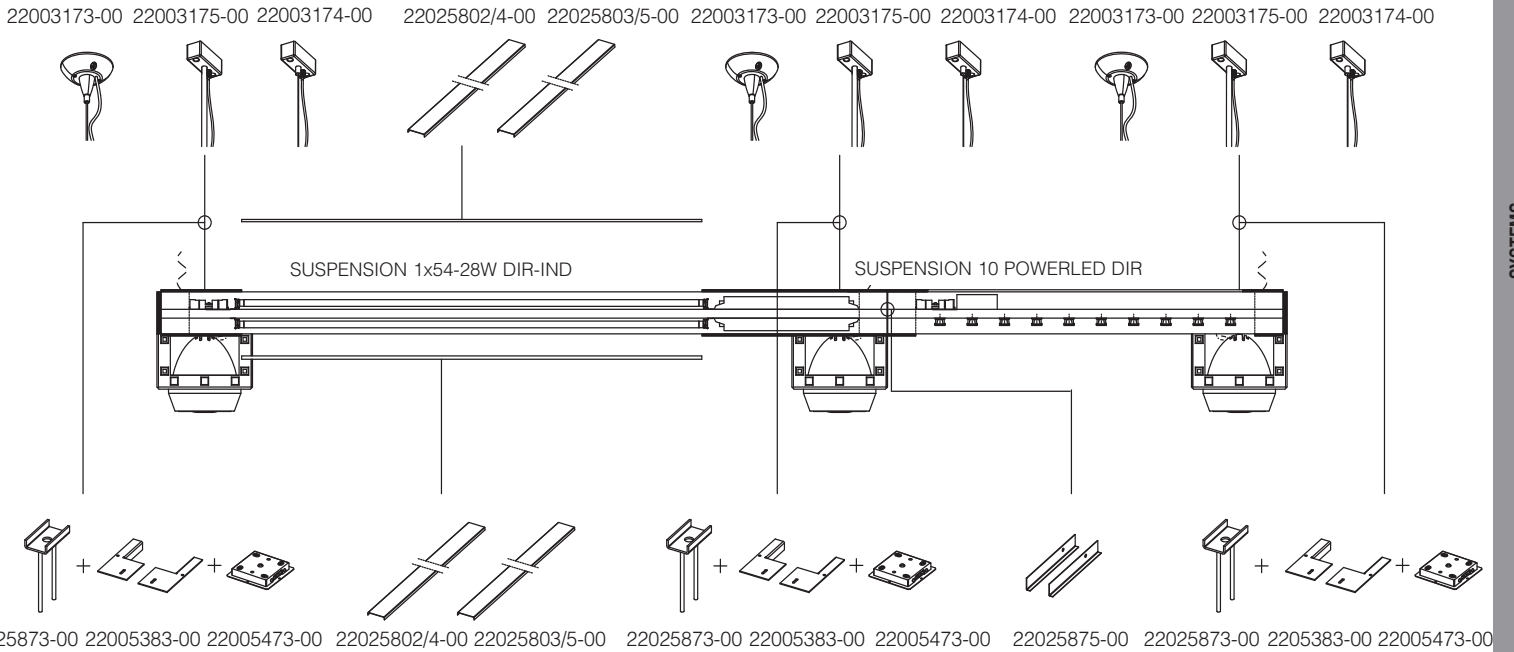
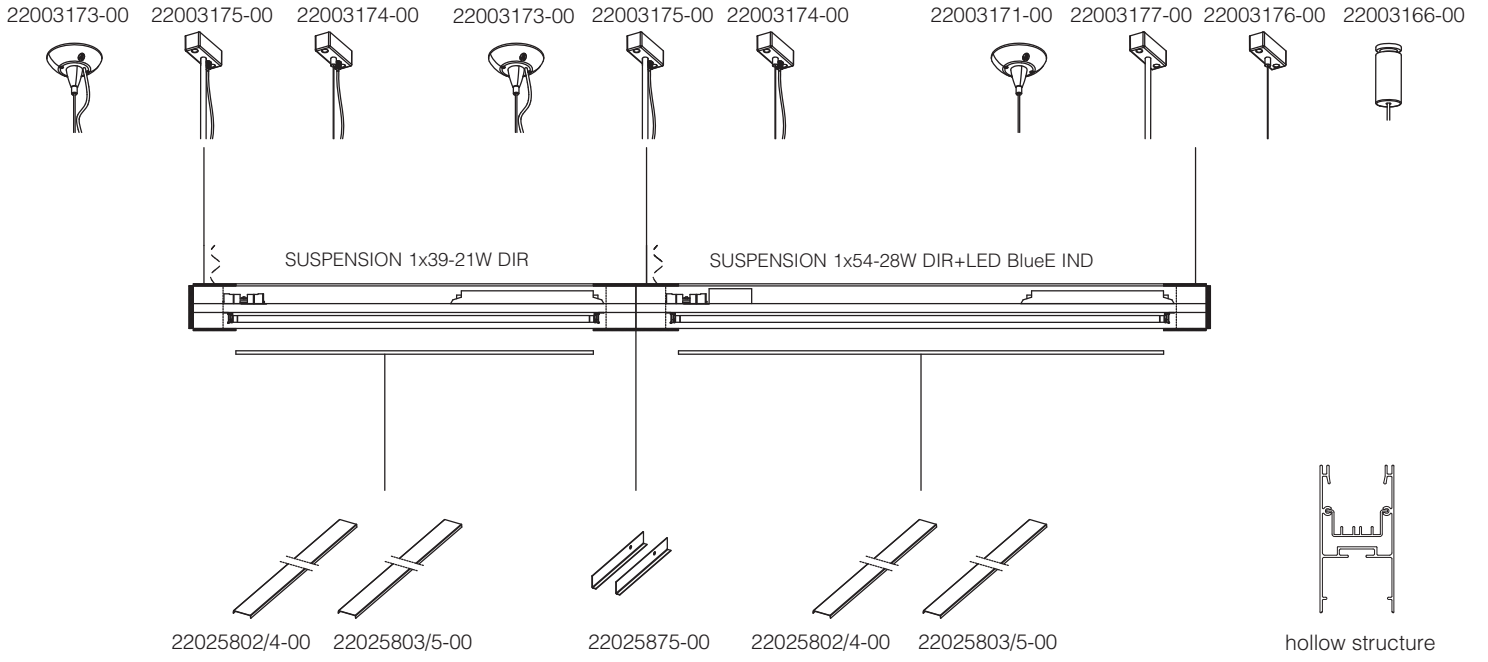
OMNITRACK

DARK LIGHT

DARK LIGHT

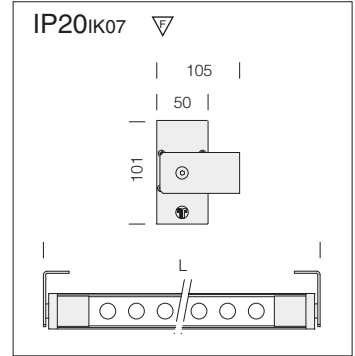
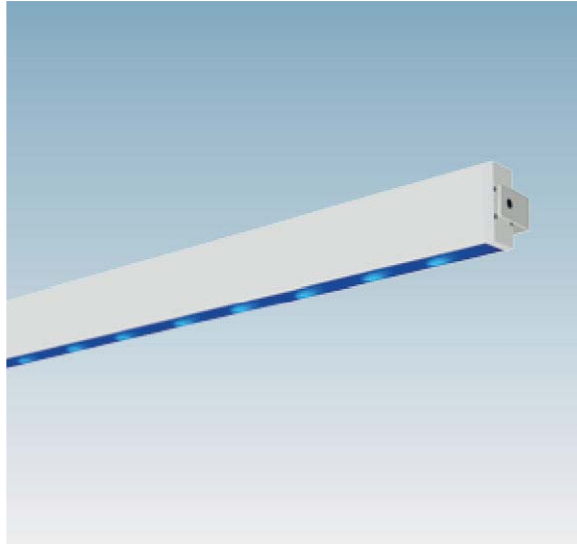
In the structure there is an option to insert an Omnitrack powered track or a FL lamp. The upper part is designed for insertion of the LED modules as well as for running cables.





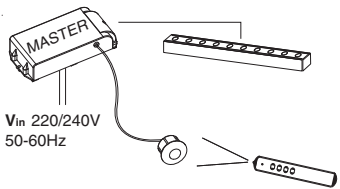


LED



**LED:** Complete with 9 LED RGB of 3,2W. Equipe with Master and Receiver IRE. Required buy remote control. cod. 22099020-00.

System code 22016774-00



**Liset - RGB wall version**

wattage/W	colour	CLD CELL			LED (Ta=25°C)		
		Dimen.	code	W tot	ølm 350mA		
<b>9x3,2W LED RGB</b>	nat. oxi.alum.	1020	22016774-00	<b>28,8</b>	R=30	G=40	B=9

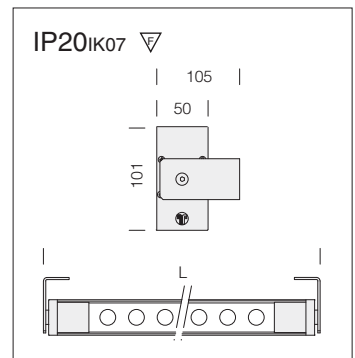
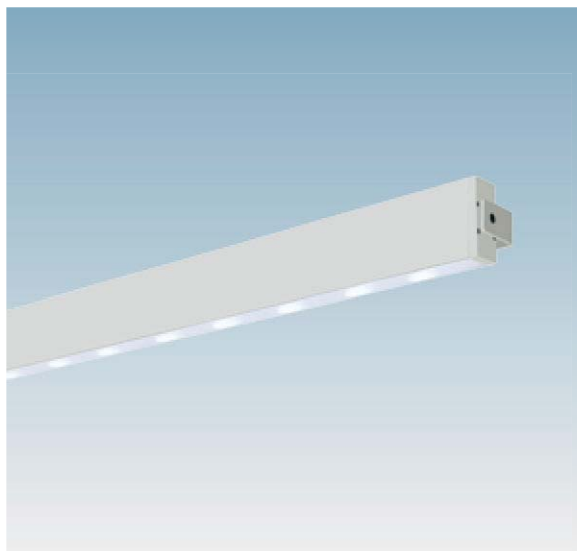
The luminous flux refers to each individual LED. Supplied with 9 RGB LEDs, 3.2 W each. Also includes Master and IRE Receiver power supply. The remote control should be purchased separately with code 22099020-00. For multiple installations, please purchase Slave with code 22090871-00 or Liset SLAVE on request. Max 99 Liset

**Liset - tube LED**

wattage/W	colour	CLD CELL			LED (Ta=25°C)	
		Dimen.	code	W tot	ølm 350mA	
<b>Tube LED</b>	nat. oxi.alum.	1020	22016773-00	<b>13</b>	925 lm	



LED

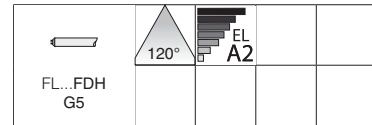
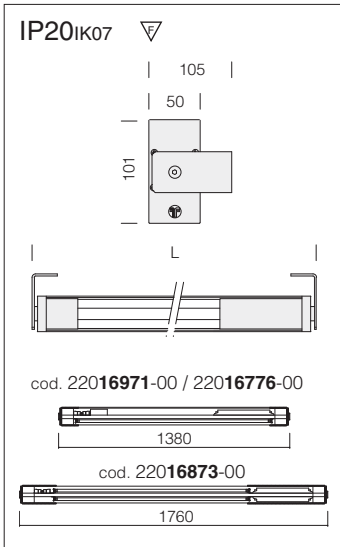


**Liset LED - POWER LED white 4200K wall version**

wattage/W (350mA)	colour	CLD CELL			LED (Ta=25°C)	
		Dimension	code	W tot	K - ølm 350mA	
<b>9x1,1W LED white</b>	nat. oxidized al.	1020	22016772-00	<b>11</b>	4200 K - 9x130lm	

**Liset LED - POWER LED white 3200K wall version**

wattage/W (350mA)	colour	CLD CELL			LED (Ta=25°C)	
		Dimension	code	W tot	K - ølm 350mA	
<b>9x1,1W LED white</b>	nat. oxidized al.	1020	22016778-00	<b>11</b>	3200 K - 9x80 lm	

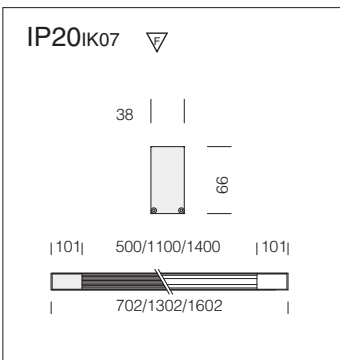


		CELL		Lamps (Ta=35°C)
wattage/W	colour	Dimension	code	Kelvin - ølm - Ra
FL 1x1x54	natural oxi.alum.	1760	22016873-00	4000K - 5000 lm - Ra 1b
FL 1x54	natural oxi.alum.	1380	22016971-00	4000K - 5000 lm - Ra 1b

Complete with wall brackets. Life lamps T5: 18.000h. On request: screen.

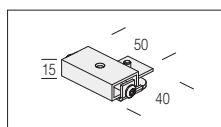
		CLD CELL		Lamps (Ta=35°C)	LED
wattage/W	colour	Dimension	code	Kelvin - ølm - Ra	
FL 1x54 + LED blue	natural oxi.alum.	1380	22016776-00	4000K - 5000lm - Ra1b	65 */80

On request coloured LED version. Life Lamps T5: 18.000h. \* 5 LED for 100mm - LFSA B3 Blue.  
On request: screen.



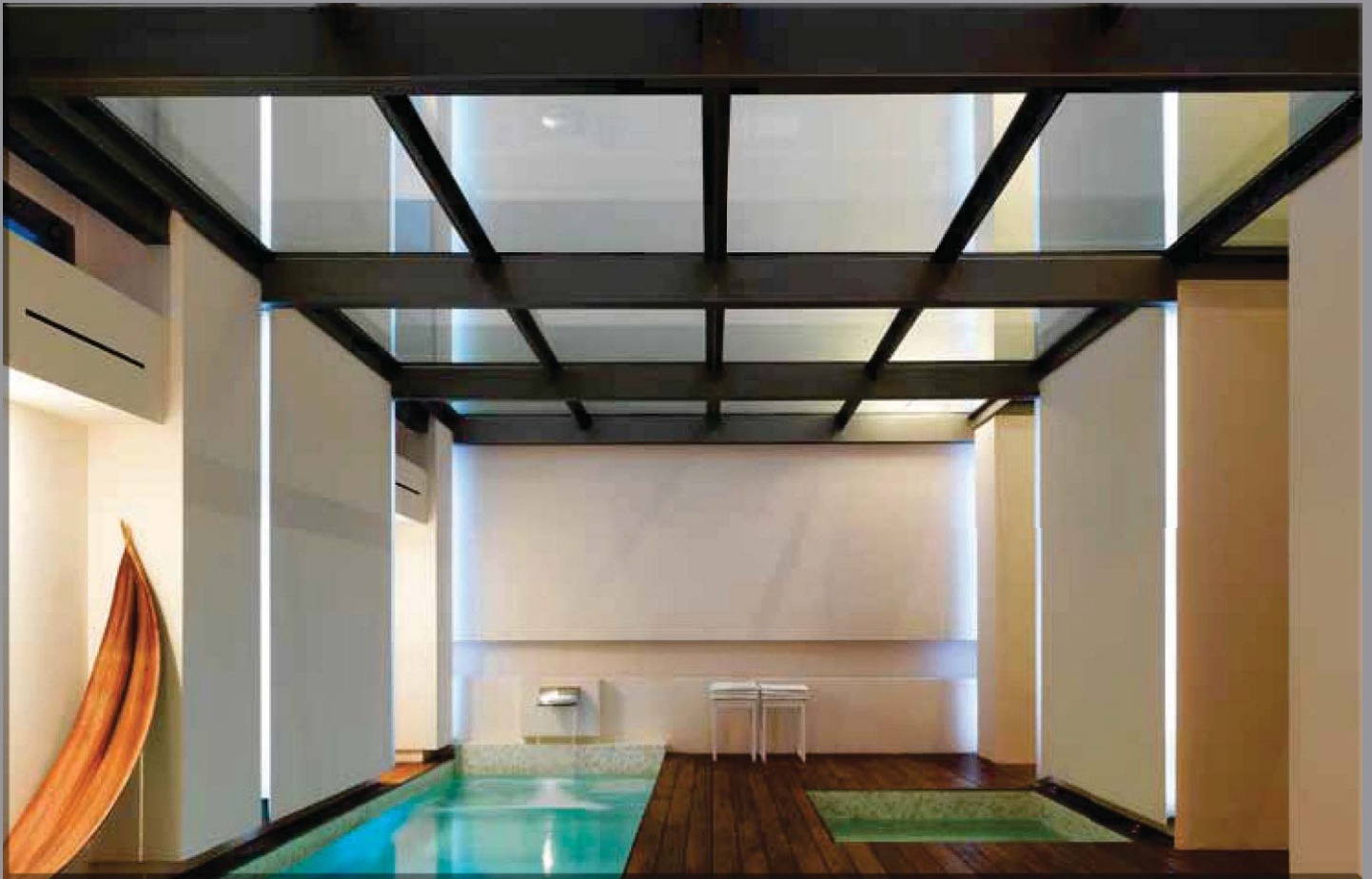
		CELL		Lamps (Ta=35°C)
wattage/W	colour	Dimension	code	Kelvin - ølm - Ra
FL 1x14	natural oxi.alum.	702	22019870-00	4000K - 1350lm - Ra 1b
FL 1x28	natural oxi.alum.	1302	22019871-00	4000K - 2900lm - Ra 1b
FL 1x35	natural oxi.alum.	1602	22019872-00	4000K - 3650lm - Ra 1b

Equipped with screen and connection cable.



Ceiling attachment for Mini Liset	
s. steel	22026071-00

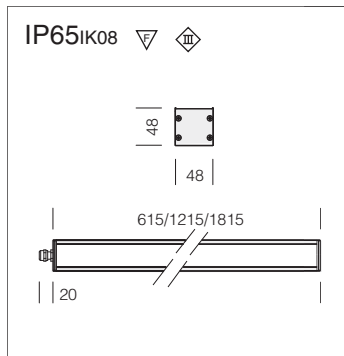




FL	LED Tube	lm	mm
18W	13W	925lm	600
36W	25W	1850lm	1200

On request: led tube version





**LED:** Linea 24V-DC RGB. 3m maximum standard connection length of LISET (tot. 42V).

Complete with 6 modules led for each 100mm

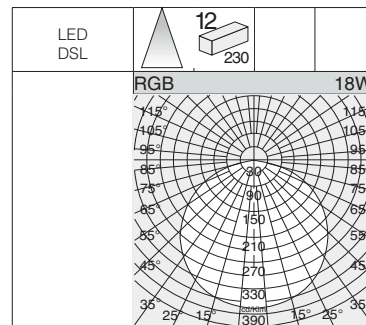
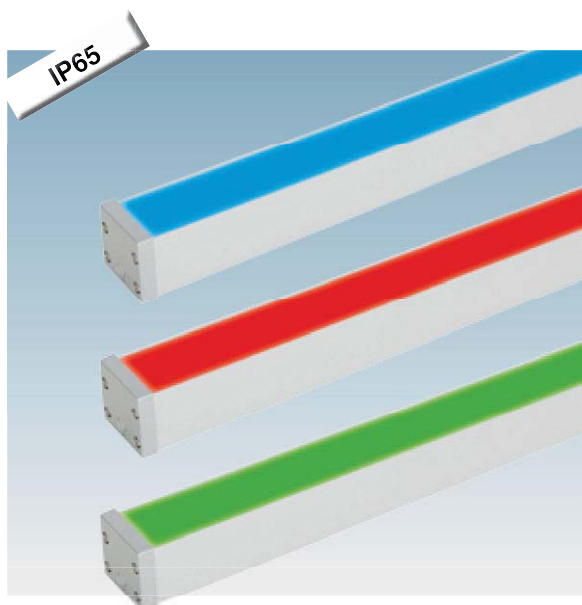
The system uses 15W per linear metre

**N.B.:** always purchase power supply boxes separately to power RGB LED lights (with control relay card):

code 22092054-00 - box with DMX card, 24V max 100W

code 22092052-00 - DMX signal regenerator, 1 for every 20 boxes.

Total flux to each rgb strip.

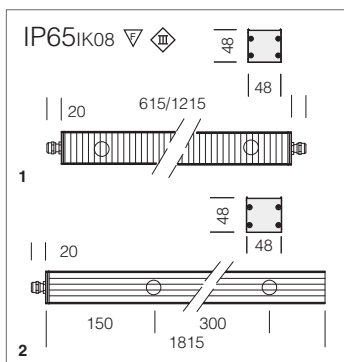


For special versions and accessories, see page 356.

For connection modalities, see figures 1-2-3 page 357.

Upon request: IP40 version

Liset IP sessantacinque - striscia RGB				
wattage (350mA)	colour	CLD S+L		LED
		L	code	W tot.
<b>36x0,25 LED RGB</b>	natural oxi.alum.	615	22017177-00	<b>9</b> R 68 - G 130 - B 25
<b>72x0,25 LED RGB</b>	natural oxi.alum.	1215	22017178-00	<b>18</b> R 130 - G 260 - B 50
<b>108x0,25 LED RGB</b>	natural oxi.alum.	1815	22017179-00	<b>27</b> R 195 - G 389 - B 76



**Housing:** in extruded aluminium.

**End cap:** In die-cast aluminium.

**Diffuser:** in fluted, prismatic glass

**LED:** Supplied with LED neutral white".

**Power supply:** to be purchased separately, equipped with IP67 transformer (input: 240 V, output: 24V DC code 22092036/38-00) with the possibility to allow the electricity of several LISET IP65 products to pass around another point of the circuit by means of a watertight shunt box.

On request: IP40 version



**Liset IP65 Wallwasher**

**On request:** new elliptical 43°/10° lens with front asymmetry (10°) for wall washer effect without the need to adjust the housing.

n. LED	L (mm)	P tot (W) 500mA
10	600	<b>16</b>
20	1200	<b>32</b>
30	1800	<b>48</b>

Liset IP sessantacinque LED - elliptic - 1				
wattage (350mA)	colour	CLD S+L		LED (Ta=25°C)
		L	code	w tot.
<b>6x1,1W LED white</b>	natural oxi.alum.	615	22018071-00	<b>6,6</b> 4000K - 6x130lm
<b>12x1,1W LED white</b>	natural oxi.alum.	1215	22018072-00	<b>13,2</b> 4000K - 12x130lm

3.6m, maximum standard connection length of LISET (51w). Prismatic scored glass diffuser for better longitudinal light distribution.

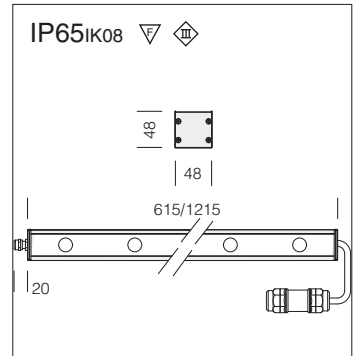
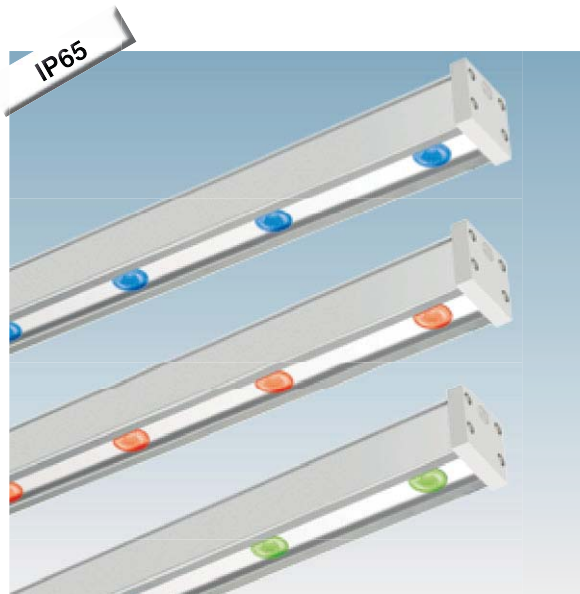
Liset IP sessantacinque LED - Wide Diffuser - 2				
wattage (350mA)	colour	CLD S+L		LED (Ta=25°C)
		L	code	w tot.
<b>6x1,1W LED white</b>	natural oxi.alum.	1815	22018075-00	<b>6,6</b> 4000K - 6x130lm

Prismatic scored glass diffuser for better wide transversal light distribution.



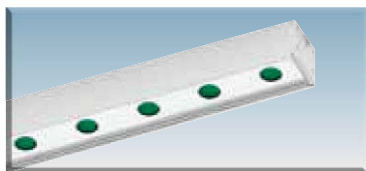
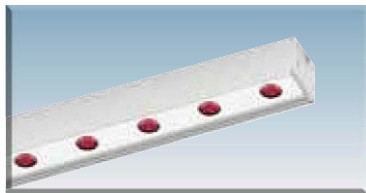
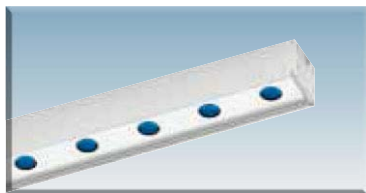
LED

	12 230	LED DSL
--	-----------	---------



**LED:** modules, 48V DC current, 300 mm long, lenses (standard 40°) mounted on heat sinks. Lens gradation can be modified.

**For connection modalities, see figures 1-2-3 page 357.**



Liset IP sessantacinque RGB - with 35mm lens					
wattage (350mA)	colour	CLD S+L		LED	
		L	code	W tot.	ølm 350mA
<b>6x3,2W LED RGB</b>	natural oxi.alum.	615	22017173-00	<b>20</b>	R 35, G 57, B 13
<b>12x3,2W LED RGB</b>	natural oxi.alum.	1215	22017175-00	<b>40</b>	R 35, G 57, B 13

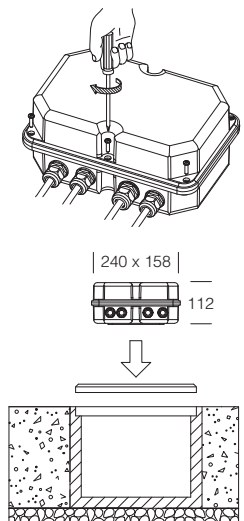
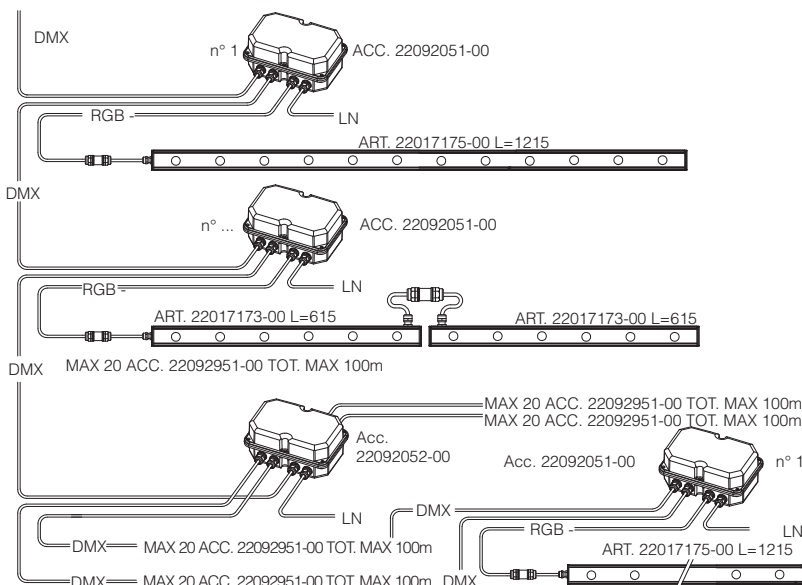
Supplied with RGB LED lights (typical value =3.2W. Max value =3.9W). 35mm lens version for high luminous efficiency.  
**N.B.: always purchase power supply boxes separately to power RGB LED lights (with control relay card):**  
 cod. 22092051-00 - box with card for 12 RGB LED lights  
 cod. 22092052-00 - DMX signal regenerator  
 N.B.: The cards can control up to 48V per channel (RGB). Up to 12 LED lights per card.  
 Version with 35 mm lenses for high luminous efficiency.

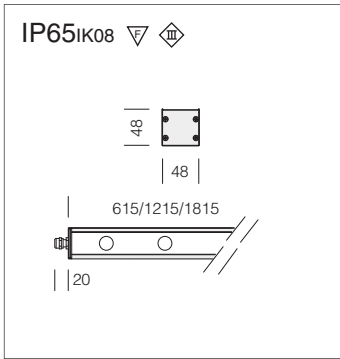
Liset IP sessantacinque RGB					
wattage (350mA)	colour	CLD S+L		LED	
		L	code	W tot.	ølm 350mA
<b>6x3,2W LED RGB</b>	natural oxi.alum.	615	22018078-00	<b>20</b>	R 35, G 57, B 13
<b>12x3,2W LED RGB</b>	natural oxi.alum.	1215	22018079-00	<b>40</b>	R 35, G 57, B 13

**Luminous flux related to individual LED**

- CONTROLLER DOP  
22090867-00
- SOFTWARE CONTROL  
22090863-00

To DMX control, utilize DOP Controller cod. 22090867-00 or:  
 - cod. 22090863-00 **SOFTWARE DMX CONTROLLER**  
 - cod. 22090862-00 **IP65 BOX CONTROLLER DMX**





**LED:** Supplied with LED neutral white", 10°. On request: beam angle 24° and 40°.

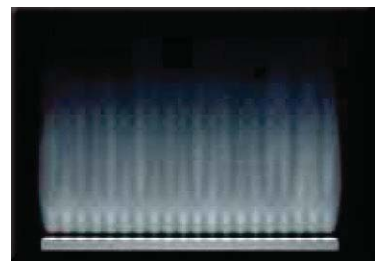
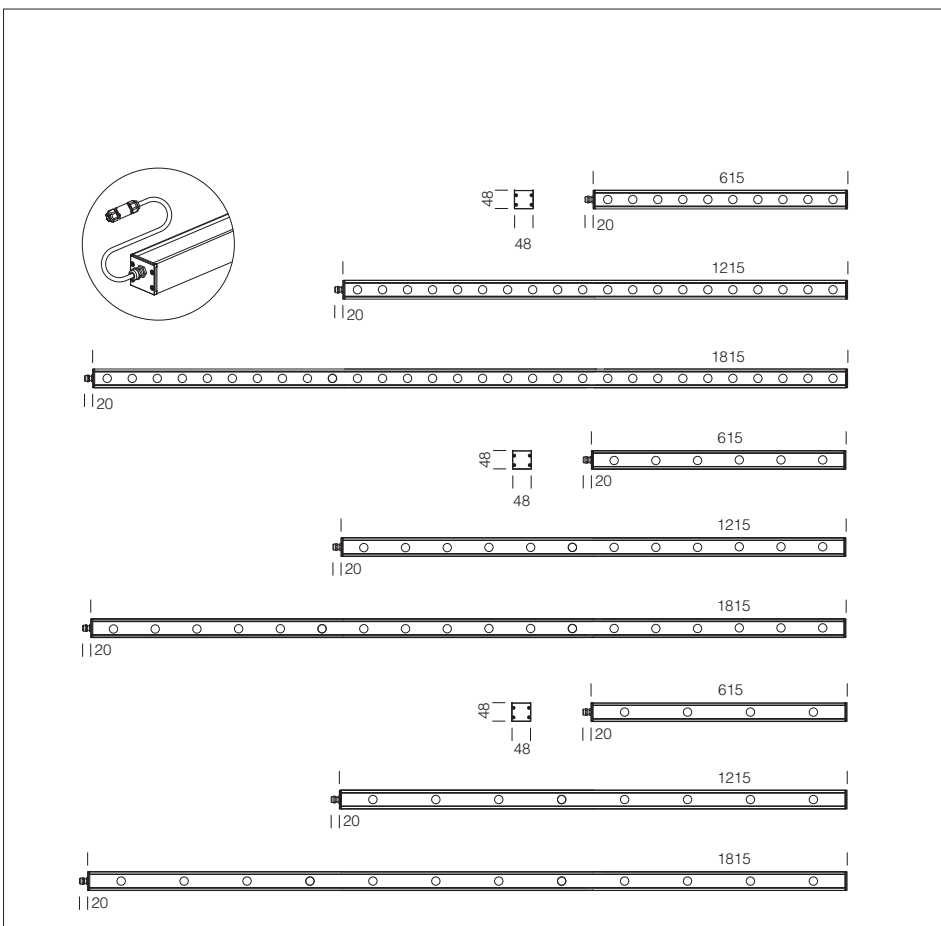
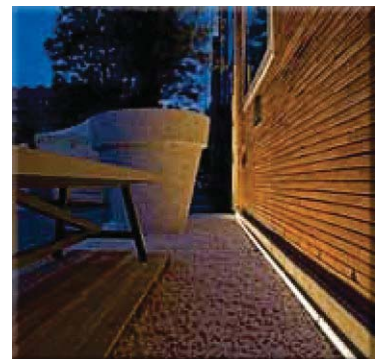
For connection modalities, see figures 1-2-3 page 357.



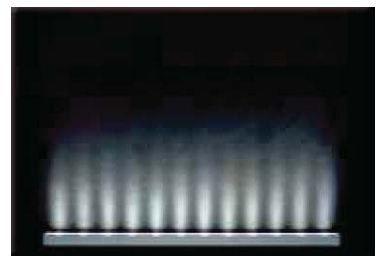
**LED**

Liset IP sessantacinque - LED					
wattage (350mA)	colour	CLD S+L			LED (Ta=25°C)
		L	code	w tot.	Kelvin - olm 350mA
10x1,1W LED white	nat. oxidized al.	615	22017071-00	11	4100 K - 10x130lm
6x1,1W LED white	nat. oxidized al.	615	22017074-00	6,6	4100 K - 6x130lm
4x1,1W LED white	nat. oxidized al.	615	22017077-00	4,4	4100 K - 4x130lm
20x1,1W LED white	nat. oxidized al.	1215	22017072-00	22	4100 K - 20x130lm
12x1,1W LED white	nat. oxidized al.	1215	22017075-00	13,2	4100 K - 12x130lm
8x1,1W LED white	nat. oxidized al.	1215	22017078-00	8,8	4100 K - 8x130lm
30x1,1W LED white	nat. oxidized al.	1815	22017073-00	33	4100 K - 30x130lm
18x1,1W LED white	nat. oxidized al.	1815	22017076-00	19,8	4100 K - 18x130lm
12x1,1W LED white	nat. oxidized al.	1815	22017079-00	13,2	4100 K - 12x130lm

The power supply should be purchased separately with code 22092036/92038-00.  
Loop-in connection max. 3.6 m for LISET. Version with 35 mm lenses for high luminous efficiency.



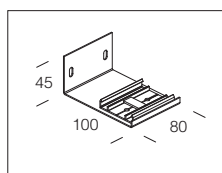
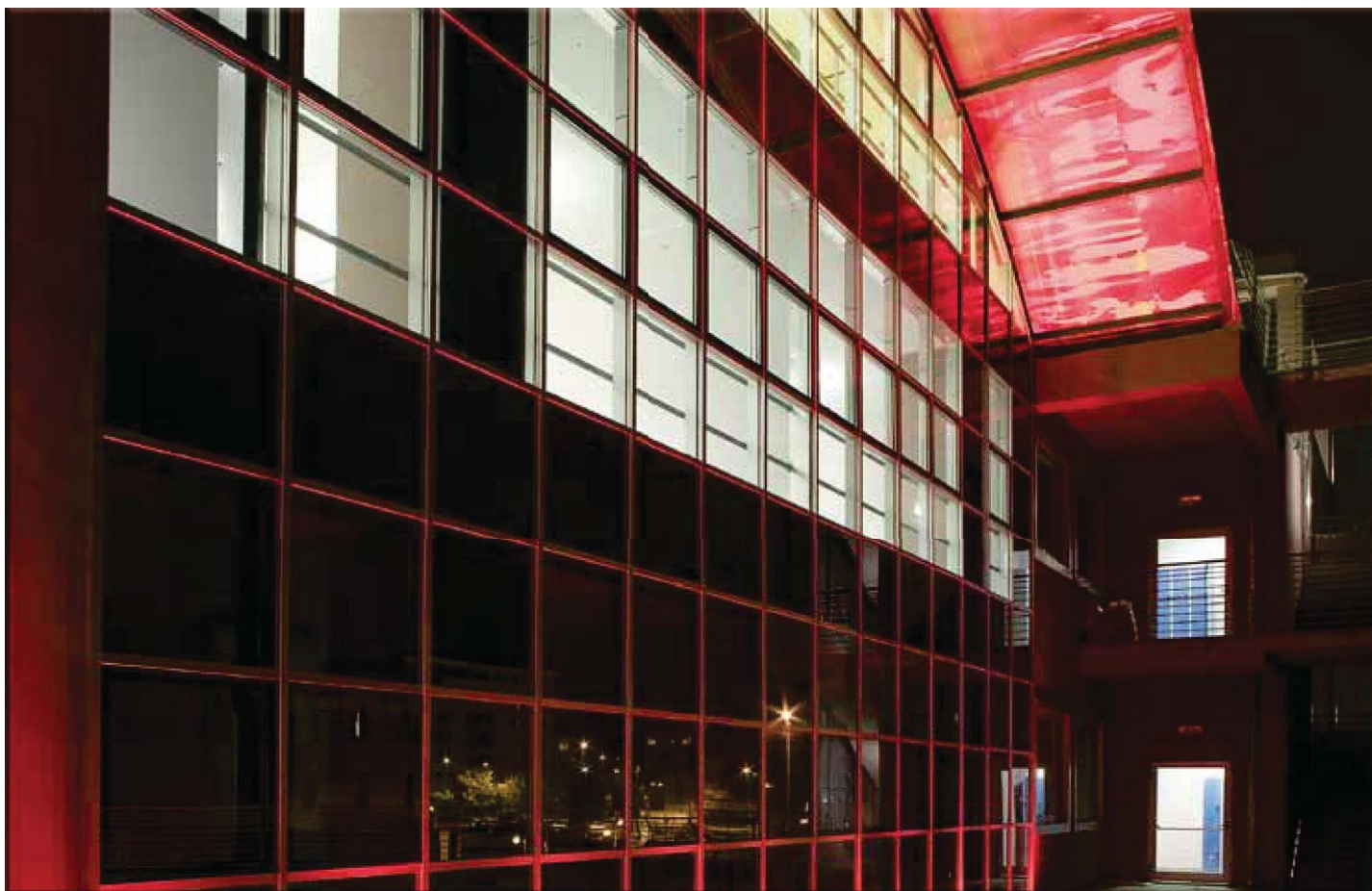
Beam art. 22017072-00



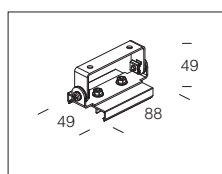
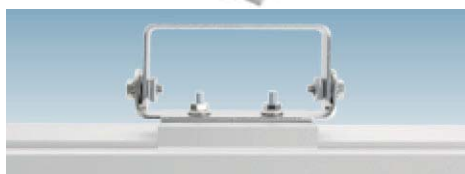
Beam art. 22017075-00



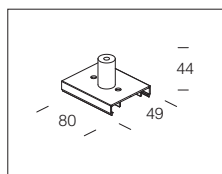
Beam art. 22017078-00



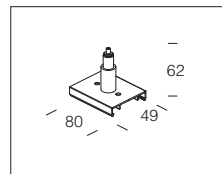
Fixed wall version Liset IP65	
inox	22025806-00



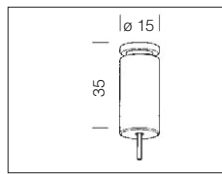
Adjustable bracket Liset IP65	
inox	22025975-00



Ceiling connection	
inox	22025800-00



Suspension	
galvanised	22025801-00

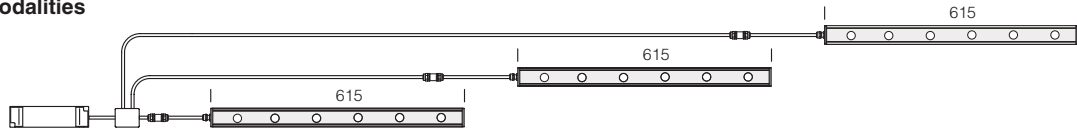


Suspension	
galvanised	22003166-00
Supplied with steel wire (l=1,75m) and millimetre adjustment device. Max load: 20 kg	

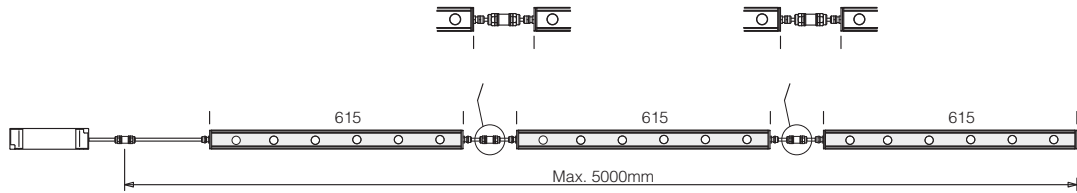


**LISET connection modalities**

**Fig. 1**



**Fig. 2**



**Fig. 3**

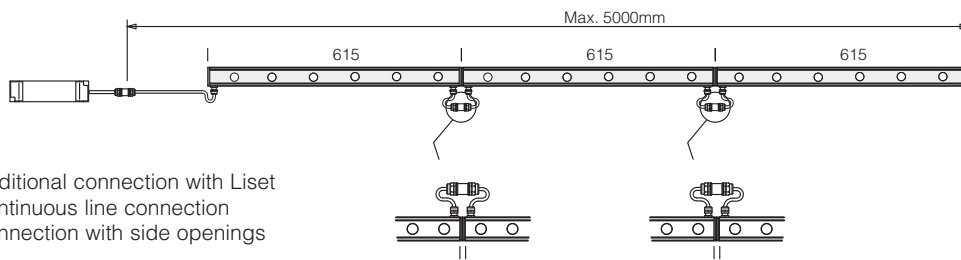
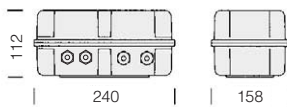


Fig. 1: Example of traditional connection with Liset  
 Fig. 2: Example of continuous line connection  
 Fig. 3: Example of connection with side openings

**IP65IK07**



**LED RGB power supply and DMX interface**

60W	22092051-00
IP65 box with 48V 60W power supply for RGB Power LED - max 12 LEDs. Supplied with electronic card and controller / DMX interface.	

**DMX signal regenerator**

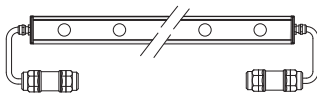
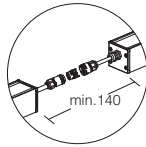
20W	22092052-00
DMX signal regenerator in waterproof gear box with 24V, 20W power supply. Supplied with in-out wire connection (one going in, four going out) to DMX terminal. To be used after acc. 22092051-00 n. 20.	

**SPECIAL LISET VERSIONS**

**SPECIAL VERSION FOR CONTINUOUS LINE:**

with entrance from both end cap

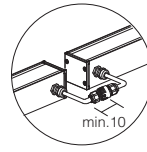
order with subcode **-0072**



**SPECIAL VERSION FOR CONTINUOUS LINE:**

specify which side entrance

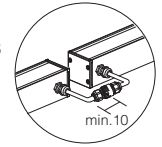
order with subcode **-0086**



**SPECIAL VERSION WITHOUT QUICK CONNECTOR:**

with entrance from both end cap

order with subcode **-0088**

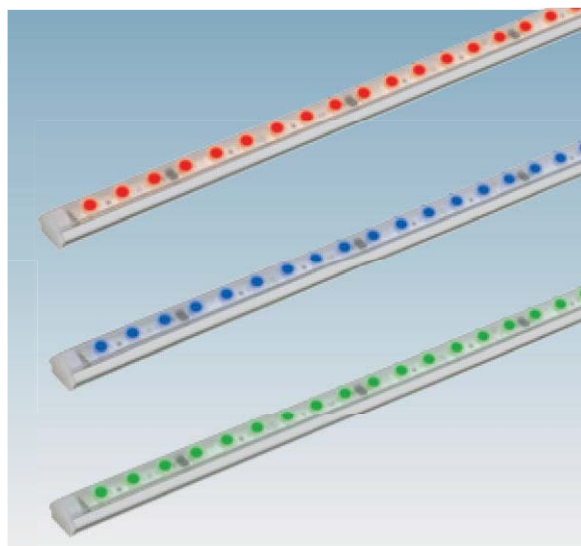
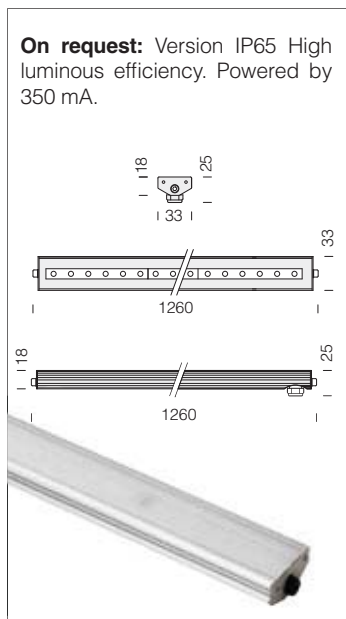
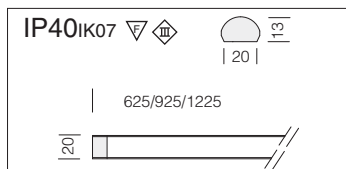


**LISET EMERGENCY ACCESSORIES**

1 hour lifespan				
Model	Flux	Output energy power (W):	weight (Kg)	Code
<b>KIT C1 24</b> - Emergency 1h 24V (batt. NiCd 7,2V 1.6Ah)	75% - 6 LED - 1h	<b>Max 70W</b>	4	22092071-00
	50% - 10 LED - 1h			
	45% - 12 LED - 1h			
	25% - 20 LED - 1h			
	15% - 30 LED - 1h			
3 hour lifespan				
<b>KIT T3 24</b> - Emergency 3h 24V (batt. NiCd 7.2V 4Ah)	75% - 6 LED - 1h	<b>Max 70W</b>	4	22092073-00
	50% - 10 LED - 1h			
	45% - 12 LED - 1h			
	25% - 20 LED - 1h			
	15% - 30 LED - 1h			

All models come with: power supply, battery and inverter (220-240V 50/60Hz).

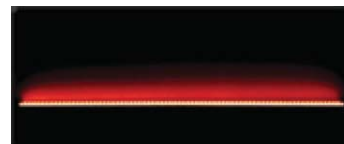




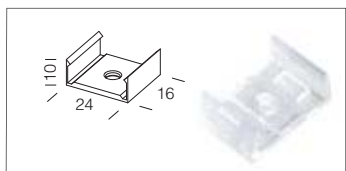
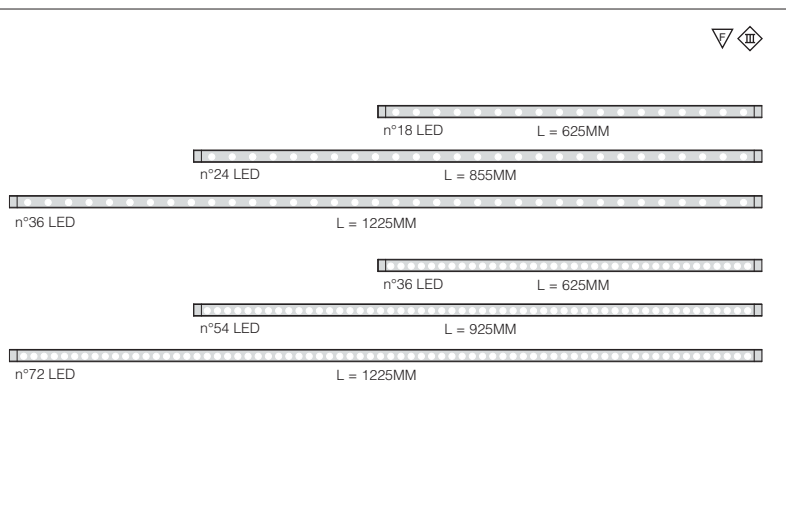
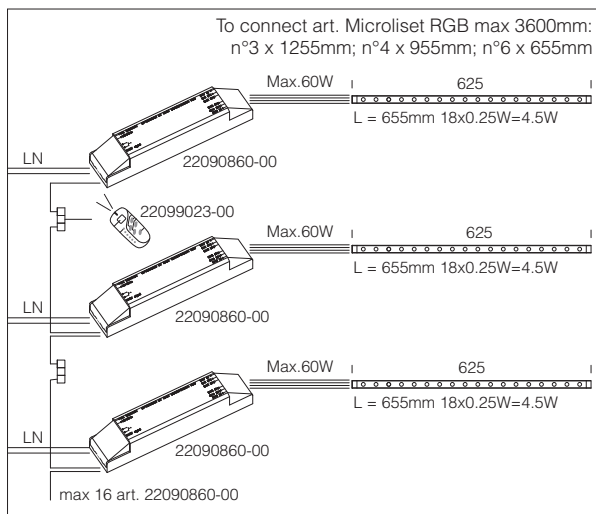
**Adjustable Microliset:** adjustable bracket for Microliset to be ordered separately.



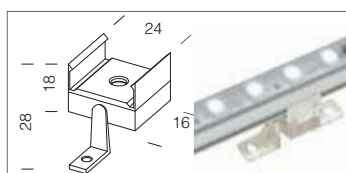
Art. Microliset cod. 22017282-00 beam.



		Micro Liset RGB			LED (Ta=25°C)	
		CLD S+L			Kelvin - ølm 24V	
wattage/W	colour	L	code	W tot	Equipped by RGB of 0,25W.	
18x0,25W LED RGB	nat. oxi.alum.	625	22017680-00	4.5		
24x0,25W LED RGB	nat. oxi.alum.	855	22017681-00	6.75		
36x0,25W LED RGB	nat. oxi.alum.	1225	22017682-00	9		
36x0,25W LED RGB	nat. oxi.alum.	625	22017280-00	9		
54x0,25W LED RGB	nat. oxi.alum.	925	22017281-00	13.5		
72x0,25W LED RGB	nat. oxi.alum.	1225	22017282-00	18		



**Bracket for fixed Micro Liset**  
transp. poly. 22025972-00  
To be used with Micro Liset.  
Contains 2 pieces.



**Adjustable bracket for Micro Liset**  
transp. poly. 22025973-00  
Contains 1 pieces.



**Kit Microliset RGB - master**  
120W/24V 22099054-00  
Equipped with IR receiver, power supply and remote control.



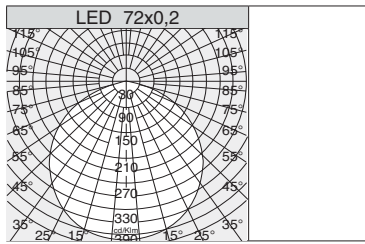
**Kit Micro Liset RGB - slave**  
120W/24V 22099055-00  
Equipped with power supply cable de sincronización.

**DMX controller for Micro Liset RGB**  
22090861-00  
Max 48W for channel

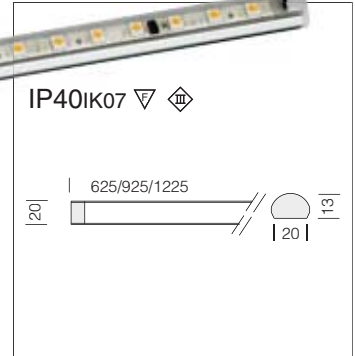
**Power supply and connector for Micro Liset RGB**  
22090860-00

**Remote control for IR receiver**  
22099023-00  
Control for a distance of up to 10/15 m.

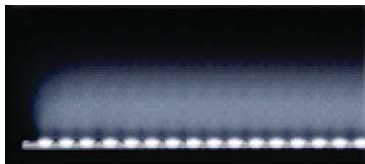
**IR for Micro Liset**  
22099050-00



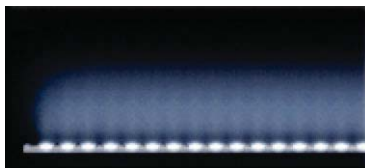
625mm	n°12 LED
925mm	n°18 LED
1225mm	n°24 LED
625mm	n°18 LED
925mm	n°27 LED
1225mm	n°36 LED
625mm	n°36 LED
925mm	n°54 LED
1225mm	n°72 LED



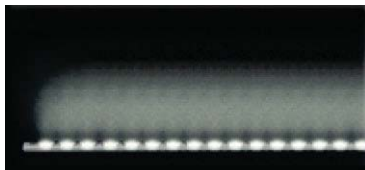
The LED lights used for these products consume 15W per linear meter, with a CRI coloration over 90 (92-96). Higher power efficiency can be obtained if necessary, but the CRI goes down to 80 (does not apply to the RGB version).



Art. Micro Liset cod. 22017278-00 4100K beam.



Art. Micro Liset cod. 22017277-00 5500K beam.



Art. Micro Liset cod. 22017272-00 3200K beam.

**Micro Liset 4100K - CRI 75**

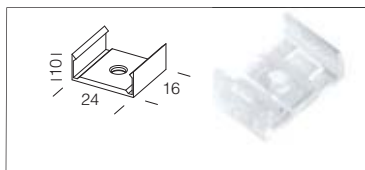
wattage/W	colour	CLD S+L			LED (Ta=25°C)
		L	code	W tot	24V
12x0,3W LED white	natural oxi.alum.	625	22017873-00	3,6	Equipped with white LED by 0,3W. CRI 75 80mA <b>17lm cad</b>
18x0,3W LED white	natural oxi.alum.	925	22017874-00	5,4	
24x0,3W LED white	natural oxi.alum.	1225	22017878-00	7,2	
18x0,3W LED white	natural oxi.alum.	625	22017673-00	5,4	
27x0,3W LED white	natural oxi.alum.	925	22017674-00	8,1	
36x0,3W LED white	natural oxi.alum.	1225	22017678-00	10,8	
36x0,3W LED white	natural oxi.alum.	625	22017273-00	10,8	
54x0,3W LED white	natural oxi.alum.	925	22017274-00	16,2	
72x0,3W LED white	natural oxi.alum.	1225	22017278-00	21,6	

**Micro Liset 5500K - CRI 92**

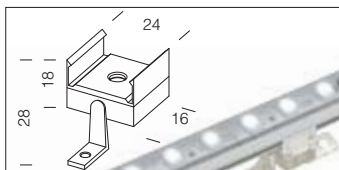
wattage/W	colour	CLD S+L			LED (Ta=25°C)
		L	code	W tot	24V
12x0,2W LED white	natural oxi.alum.	625	22017875-00	2,4	Equipped with white LED by 0,2W. CRI 92 60mA <b>20lm cad</b>
18x0,2W LED white	natural oxi.alum.	925	22017876-00	3,6	
24x0,2W LED white	natural oxi.alum.	1225	22017877-00	4,8	
18x0,2W LED white	natural oxi.alum.	625	22017675-00	3,6	
27x0,2W LED white	natural oxi.alum.	925	22017676-00	5,4	
36x0,2W LED white	natural oxi.alum.	1225	22017677-00	7,2	
36x0,2W LED white	natural oxi.alum.	625	22017275-00	7,2	
54x0,2W LED white	natural oxi.alum.	925	22017276-00	10,8	
72x0,2W LED white	natural oxi.alum.	1225	22017277-00	14,4	

**Micro Liset 3200K - CRI 96**

wattage/W	colour	CLD S+L			LED (Ta=25°C)
		L	code	W tot	24V
12x0,2W LED white	natural oxi.alum.	625	22017870-00	2,4	Equipped with white LED by 0,2W. CRI 96 60mA <b>16lm cad</b>
18x0,2W LED white	natural oxi.alum.	925	22017871-00	3,6	
24x0,2W LED white	natural oxi.alum.	1225	22017872-00	4,8	
18x0,2W LED white	natural oxi.alum.	625	22017670-00	3,6	
27x0,2W LED white	natural oxi.alum.	925	22017671-00	5,4	
36x0,2W LED white	natural oxi.alum.	1225	22017672-00	7,2	
36x0,2W LED white	natural oxi.alum.	625	22017270-00	7,2	
54x0,2W LED white	natural oxi.alum.	925	22017271-00	10,8	
72x0,2W LED white	natural oxi.alum.	1225	22017272-00	14,4	

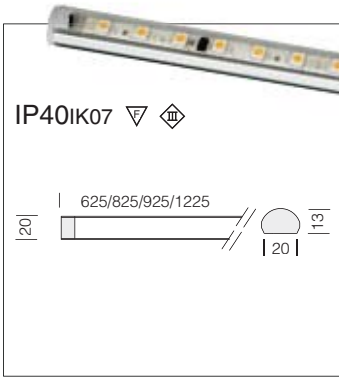


Bracket for fixed Micro Liset	
transp. poly.	22025972-00
To be used with Micro Liset	



Adjustable bracket for Micro Liset	
transp. poly.	22025973-00

IP20 box for Micro Liset	
220-240V - 24V DC 70W	22092022-00
220-240V - 24V DC 20W	22090839-00
Dimmable power supply for Micro Liset	
1-10V - 24V DC 20W	22090840-00
dimmable DALI 20W	22090846-00
Dimmable interface for Micro Liset	
1-10V - in 24 DC out 24 DC 120W	22090841-00



	625mm	n°18 LED
	825mm	n°24 LED
	1225mm	n°36 LED
	625mm	n°36 LED
	925mm	n°54 LED
	1225mm	n°72 LED

Made with Samsung LED.

**On request:** LED version with pin, square or diffused light



Micro Liset HE 4200K					
		CLD S+L			LED (Ta=25°C)
wattage	colour	dim.	code	W tot	24V
18x0,42W LED white	natural oxi.alum.	625	22014973-00	7,5	Equipped by white LED by 0,42W. CRI 80. 100mA 34lm cad
24x0,42W LED white	natural oxi.alum.	825	22014974-00	10	
36x0,42W LED white	natural oxi.alum.	1225	22014975-00	15	
36x0,42W LED white	natural oxi.alum.	625	22014976-00	15	
54x0,42W LED white	natural oxi.alum.	925	22014977-00	23	
72x0,42W LED white	natural oxi.alum.	1225	22014978-00	30	

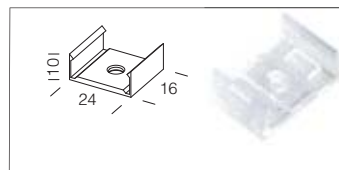
Micro Liset HE 7000K					
		CLD S+L			LED (Ta=25°C)
wattage	colour	dim.	code	W tot	24V
18x0,42W LED white	natural oxi.alum.	625	22014873-00	7,5	Equipped by white LED by 0,42W. CRI 80. 100mA 34lm cad
24x0,42W LED white	natural oxi.alum.	825	22014874-00	10	
36x0,42W LED white	natural oxi.alum.	1225	22014875-00	15	
36x0,42W LED white	natural oxi.alum.	625	22014876-00	15	
54x0,42W LED white	natural oxi.alum.	925	22014877-00	23	
72x0,42W LED white	natural oxi.alum.	1225	22014878-00	30	



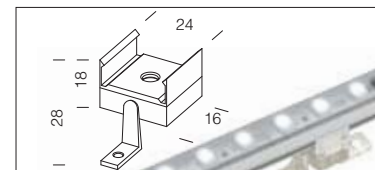
Micro Liset HE 3200K					
		CLD S+L			LED (Ta=25°C)
wattage	colour	dim.	code	W tot	24V
18x0,42W LED white	natural oxi.alum.	625	22014773-00	7,5	Equipped by white LED by 0,42W. CRI 80. 100mA 34lm cad
24x0,42W LED white	natural oxi.alum.	825	22014774-00	10	
36x0,42W LED white	natural oxi.alum.	1225	22014775-00	15	
36x0,42W LED white	natural oxi.alum.	625	22014776-00	15	
54x0,42W LED white	natural oxi.alum.	925	22014777-00	23	
72x0,42W LED white	natural oxi.alum.	1225	22014778-00	30	



IP20 box for Micro Liset	
220-240V - 24V DC 70W	22092022-00
220-240V - 24V DC 20W	22090839-00
Dimmable power supply for Micro Liset	
1-10V - 24V DC 20W	22090840-00
dimmable DALI 20W	22090846-00
Dimmable interface for Micro Liset	
1-10V - in 24 DC out 24 DC 120W	22090841-00



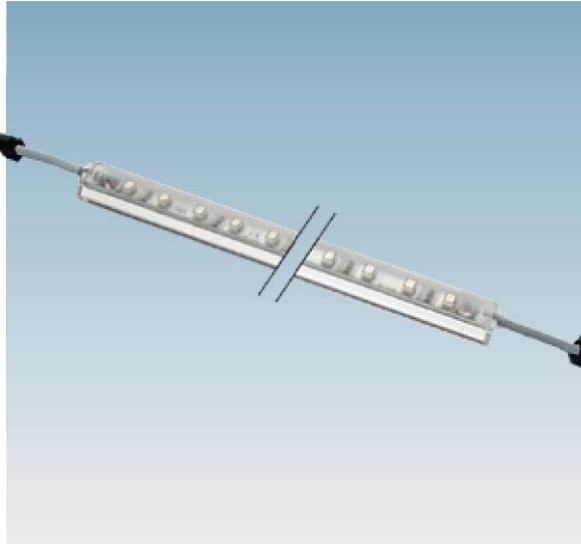
Bracket for fixed Micro Liset	
transp. poly.	22025972-00
To be used with Micro Liset	



Adjustable bracket for Micro Liset	
transp. poly.	22025973-00

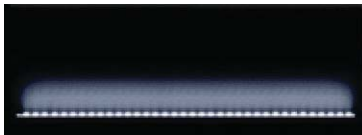


LED

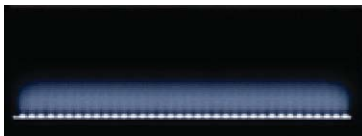


IP40IK07

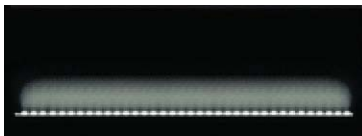
The LED lights used for these products consume 15W per linear meter, with a CRI coloration over 90 (92-96). Higher power efficiency can be obtained if necessary, but the CRI goes down to 80 (does not apply to the RGB version).



Art. Micro Liset cod. 22018973-00 4100K beam.



Art. Micro Liset cod. 22018974-00 5500K beam.

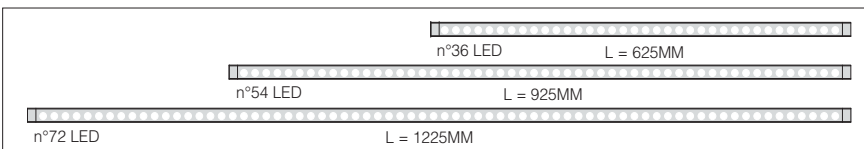
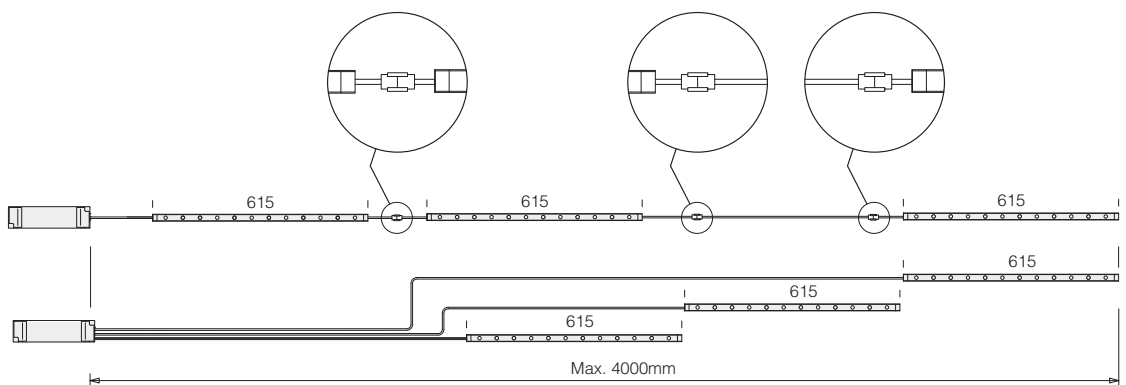


Art. Micro Liset cod. 22018975-00 3200K beam.

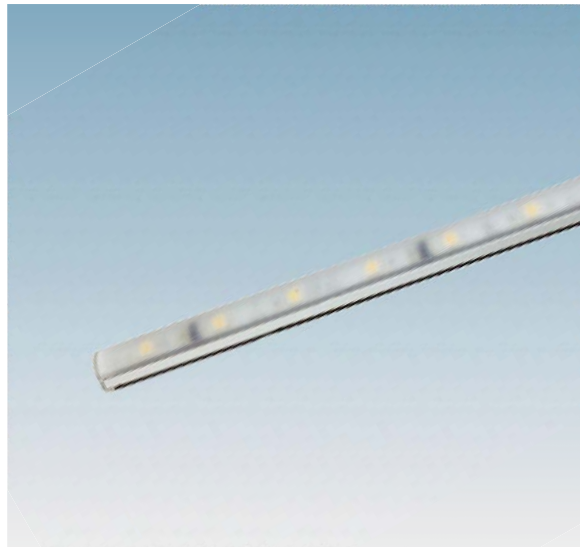
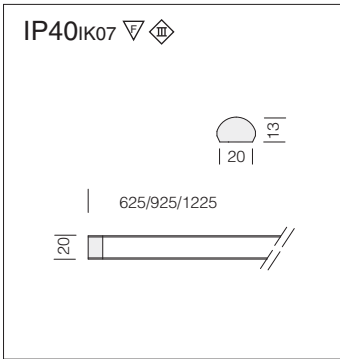
Micro Liset for continuous line - fixed/adjustable 4100K - CRI 75					
		CLD S+L			LED (Ta=25°C)
wattage/W	colour	L	code	W tot	24V
36x0,3W LED white	natural oxi.alum.	1225	22018772-00	10,8	Equipped by white LED of 0,3W. CRI 75
36x0,3W LED white	natural oxi.alum.	625	22018775-00	10,8	
54x0,3W LED white	natural oxi.alum.	925	22018970-00	16,2	
72x0,3W LED white	natural oxi.alum.	1225	22018973-00	21,6	

Micro Liset for continuous line - fixed/adjustable 5500K - CRI 92					
		CLD S+L			LED (Ta=25°C)
wattage/W	colour	L	code	W tot	24V
36x0,2W LED white	natural oxi.alum.	1225	22018771-00	7,2	Equipped by white LED of 0,2W. CRI 92
36x0,2W LED white	natural oxi.alum.	625	22018774-00	7,2	
54x0,2W LED white	natural oxi.alum.	925	22018971-00	10,8	
72x0,2W LED white	natural oxi.alum.	1225	22018974-00	14,4	

Micro Liset for continuous line - fixed/adjustable 3200K - CRI 96					
		CLD S+L			LED (Ta=25°C)
wattage/W	colour	L	code	W tot	24V
36x0,2W LED white	natural oxi.alum.	1225	22018770-00	7,2	Equipped by white LED of 0,2W. CRI 96
36x0,2W LED white	natural oxi.alum.	625	22018773-00	7,2	
54x0,2W LED white	natural oxi.alum.	925	22018972-00	10,8	
72x0,2W LED white	natural oxi.alum.	1225	22018975-00	14,4	

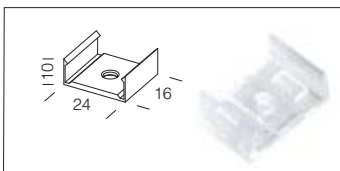


IP20 box for Micro Liset	
220-240V - 24V DC 70W	22092022-00
220-240V - 24V DC 20W	22090839-00
Dimmable power supply for Micro Liset 220-240V	
1-10V - 24V DC 20W	22090840-00
dimmable DALI 20W 24V	22090846-00
Dimmable interface for Micro Liset	
1-10V in 24 DC out 24 DC Pmax. 120W	22090841-00

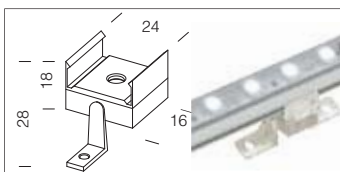


Micro Liset opal - 3200K - CRI 96					
wattage/W	colour	CLD S+L		W tot	LED (Ta=25°C)
		L	code		24V
18x0,2W LED white	natural oxi.alum.	625	22018470-00	3,6	Equiped by white LED of 0,2W. CRI 96
27x0,2W LED white	natural oxi.alum.	925	22018471-00	5,4	
36x0,2W LED white	natural oxi.alum.	1225	22018472-00	7,2	

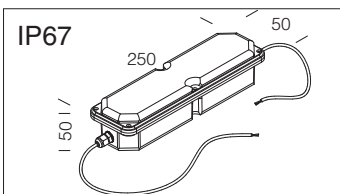
Adjustable with accessory 22025973-00



Bracket for fixed Micro Liset	
transp. poly.	22025972-00
To be used with Micro Liset.	
Contains 2 pieces.	



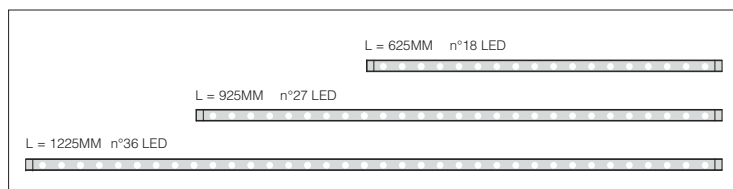
Adjustable bracket for Micro Liset	
transp. poly.	22025973-00
Contains 1 pieces.	

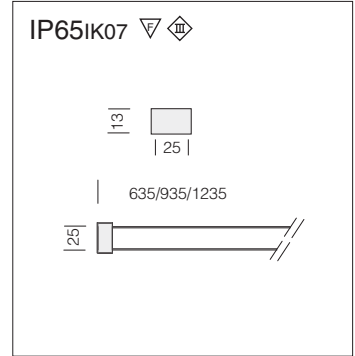
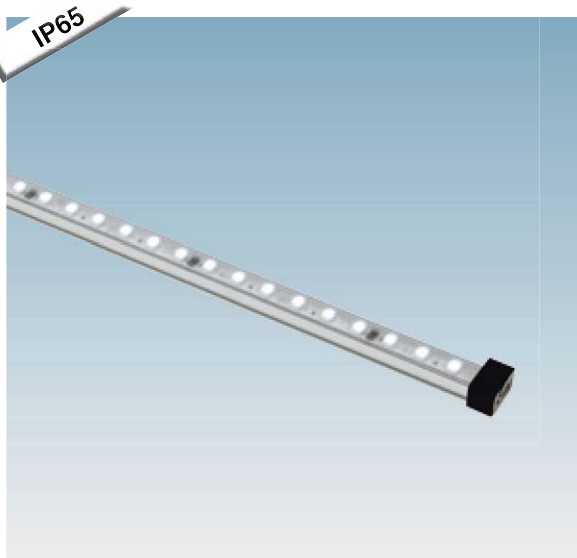


IP67 Box LED	
wattage/W	code
220-240V/24V 70W	22092036-00
220-240V/24V 150W	22092038-00



IP20 box for Micro Liset	
220-240V - 24V DC 70W	22092022-00
220-240V - 24V DC 20W	22090839-00
Dimmable power supply for Micro Liset	
1-10V - 24V DC 20W	22090840-00
dimnable DALI 20W 24V	22090846-00
Dimmable interface for Micro Liset	
1-10V in 24 DC out 24 DC Pmax. 120W	22090841-00



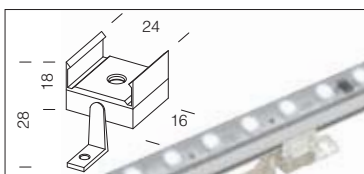
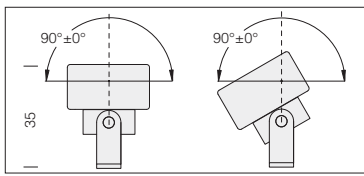


The LEDs used by Micro Liset have a general colour rendering index Ra above 90 (92-96).  
If necessary, you can have a slightly higher power with Ra values of 80 (only for version with white LEDs).  
Pag 389



Micro Liset 4100K - CRI 75					
wattage/W	colour	CLD S+L			LED (Ta=25°C)
		L	code	W tot	olm 24V
12x0,3W LED white	natural oxi.alum.	635	22018276-00	3,6	Equipped with white LED by 0,3W. CRI 75 80mA <b>17lm cad</b>
18x0,3W LED white	natural oxi.alum.	935	22018277-00	5,4	
24x0,3W LED white	natural oxi.alum.	1235	22018278-00	7,2	
18x0,3W LED white	natural oxi.alum.	635	22018376-00	5,4	
27x0,3W LED white	natural oxi.alum.	935	22018377-00	8,1	
36x0,3W LED white	natural oxi.alum.	1235	22018378-00	10,8	
36x0,3W LED white	natural oxi.alum.	635	22018176-00	10,8	
54x0,3W LED white	natural oxi.alum.	935	22018177-00	16,2	
72x0,3W LED white	natural oxi.alum.	1235	22018178-00	21,6	

Micro Liset 5500K - CRI 92					
wattage/W	colour	CLD S+L			LED (Ta=25°C)
		L	code	W tot	olm 24V
12x0,2W LED white	natural oxi.alum.	635	22018273-00	2,4	Equipped with white LED by 0,2W. CRI 92 60mA <b>20lm cad</b>
18x0,2W LED white	natural oxi.alum.	935	22018274-00	3,6	
24x0,2W LED white	natural oxi.alum.	1235	22018275-00	4,8	
18x0,2W LED white	natural oxi.alum.	635	22018373-00	3,6	
27x0,2W LED white	natural oxi.alum.	935	22018374-00	5,4	
36x0,2W LED white	natural oxi.alum.	1235	22018375-00	7,2	
36x0,2W LED white	natural oxi.alum.	635	22018173-00	7,2	
54x0,2W LED white	natural oxi.alum.	935	22018174-00	10,8	
72x0,2W LED white	natural oxi.alum.	1235	22018175-00	14,4	

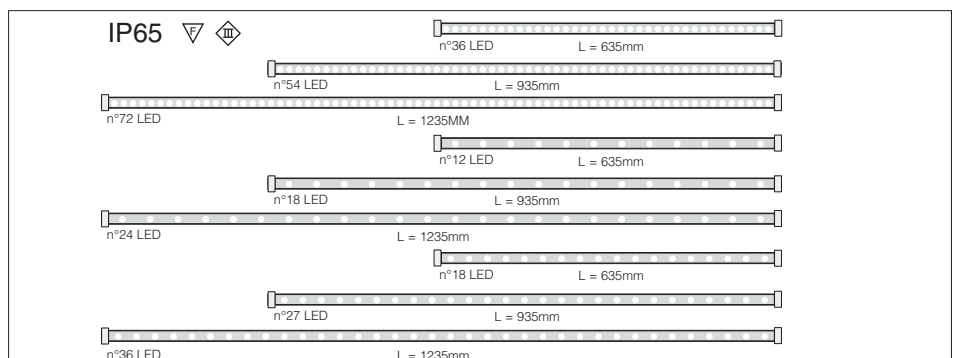


Adjustable bracket for Micro Liset IP65	
inox	22025976-00
Contains 2 pieces.	

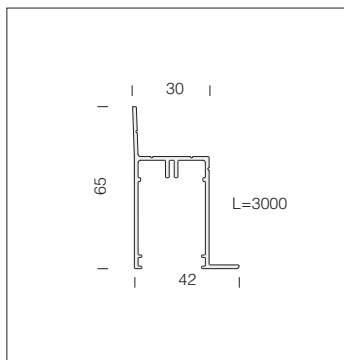
Micro Liset 3200K - CRI 96					
wattage/W	colour	CLD S+L			LED (Ta=25°C)
		L	code	W tot	olm 24V
12x0,2W LED white	natural oxi.alum.	635	22018270-00	2,4	Equipped with white LED by 0,2W. CRI 96 60mA <b>16lm cad</b>
18x0,2W LED white	natural oxi.alum.	935	22018271-00	3,6	
24x0,2W LED white	natural oxi.alum.	1235	22018272-00	4,8	
18x0,2W LED white	natural oxi.alum.	635	22018370-00	3,6	
27x0,2W LED white	natural oxi.alum.	935	22018371-00	5,4	
36x0,2W LED white	natural oxi.alum.	1235	22018372-00	7,2	
36x0,2W LED white	natural oxi.alum.	635	22018170-00	7,2	
54x0,2W LED white	natural oxi.alum.	935	22018171-00	10,8	
72x0,2W LED white	natural oxi.alum.	1235	22018172-00	14,4	



Bracket for Micro Liset	
inox	22025974-00
To be used with Micro Liset. Contains 2 pieces.	







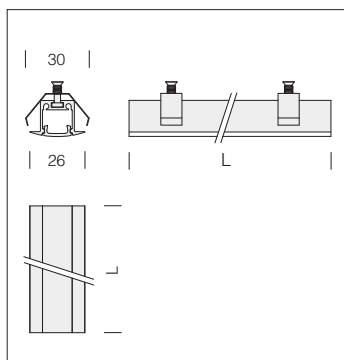
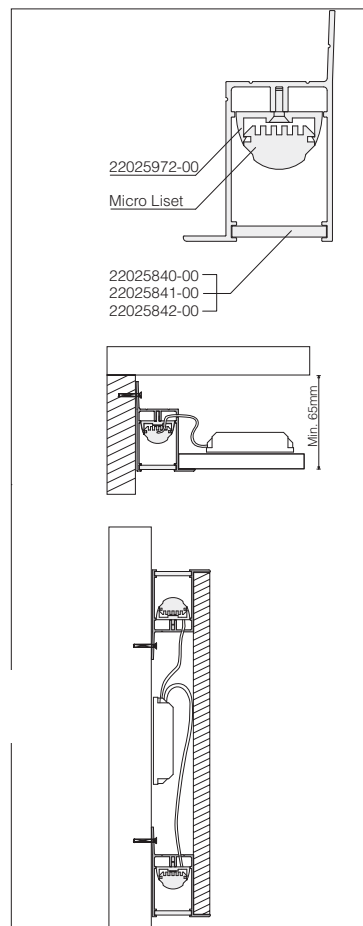
Ideal aluminium profile for application on plasterboard, movable walls, panels, etc. To be used with Micro Liset only.



Recessed profile for Micro Liset		
Dimension	colour	code
3000mm	nat. oxi. alum.	22018670-00

Screen for Micro Liset's profile		
Dimension	colour	code
3000mm	opal	22025840-00
1500mm	scored	22025841-00
3000mm	transparent	22025842-00

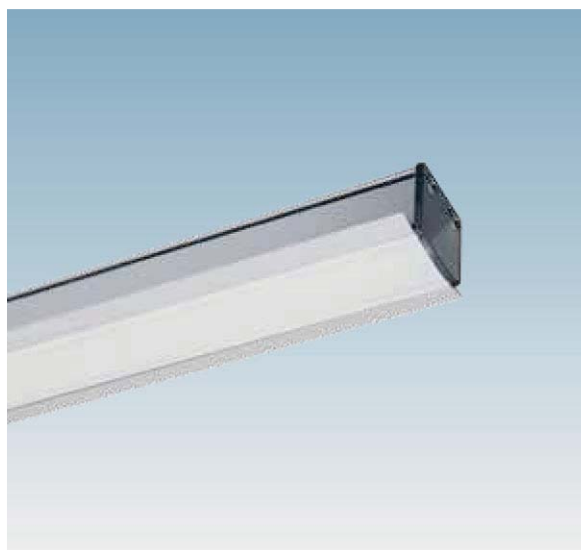
Bracket for fixed Micro Liset	
transparent polycarbonate	22025972-00
To be used with Micro Liset.	



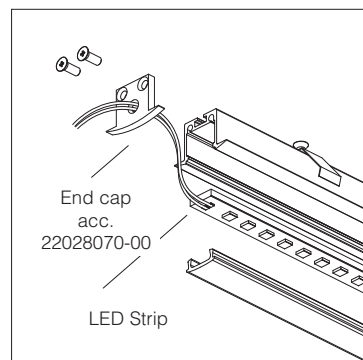
**Linea LED "Arredi"**: in its mini-sized version, is suitable for installation on ceilings and vertical surfaces.

**Housing**: profile in extruded aluminium with shield in opal PC. The profile can accept all LED STRIPS (with adhesive) IP20/IP65/IP68.

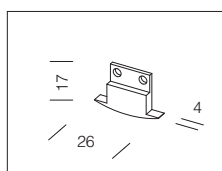
**Equipment**: with band-shaped springs (one spring every 500 mm).



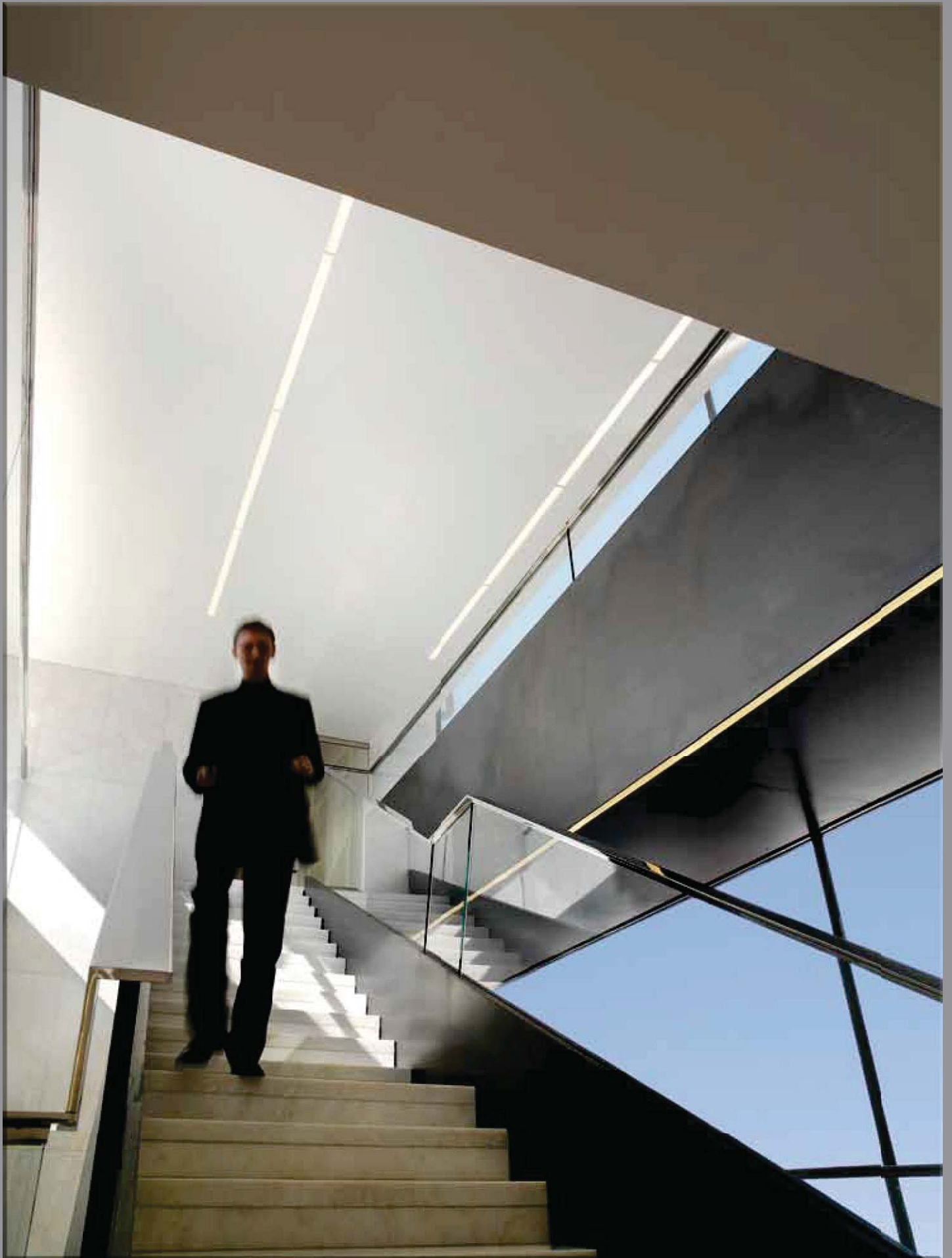
Linea LED "Arredi"		
Dimension	colour	code
3000mm	nat. oxi. alum.	22010670-00

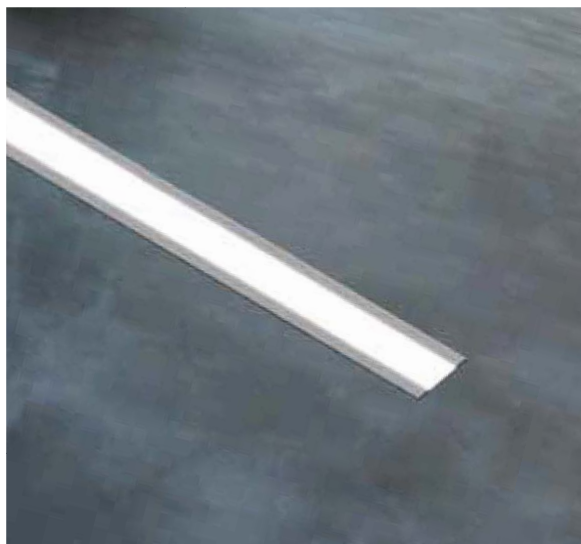
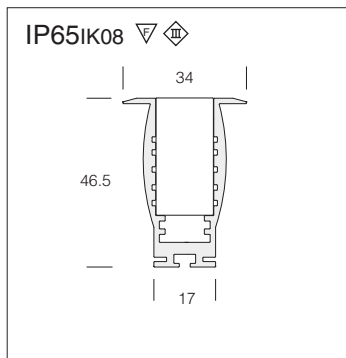


**LED line**: to be mounted into ceilings and wall panels. Dimensions: width 19mm, h 10mm.



End cap	
22028070-00	
Contains 2 pieces.	





**Housing (formwork):** in extruded aluminium with edge for floor, (wall and ceiling mounting with acc. 22027070-00).

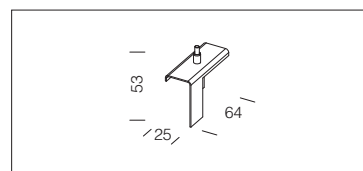
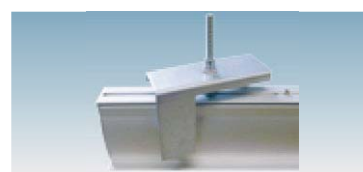
**LED:** signal light, in polycarbonate and acrylic material with UV treatment, 20 mm pitch.



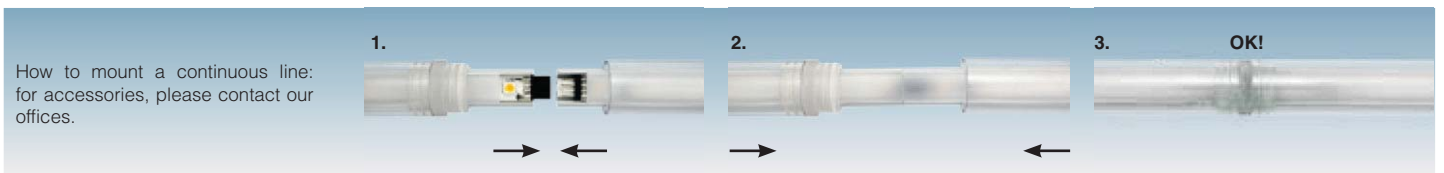
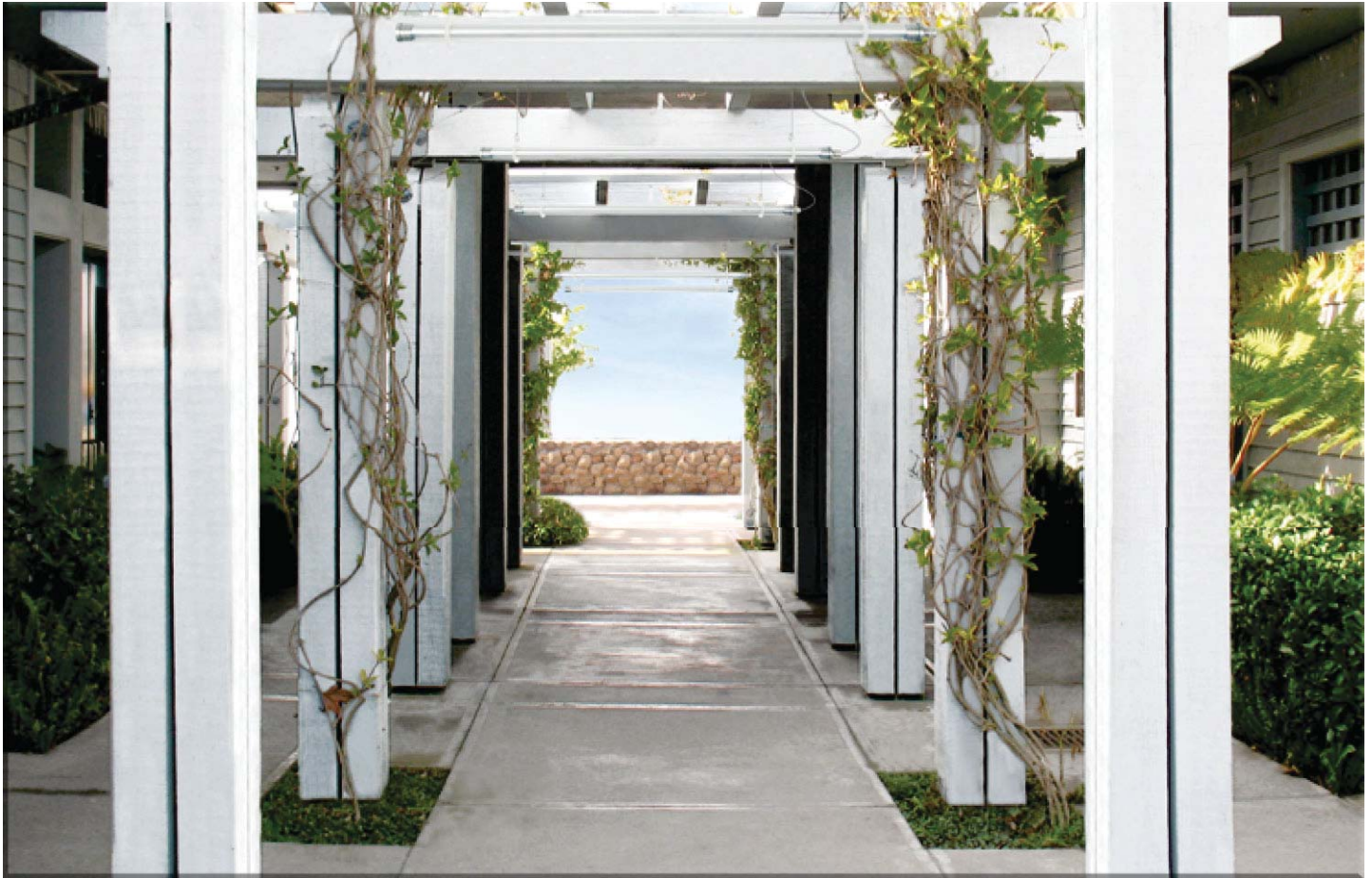
		Linea LED			LED (Ta=25°C)	
		CLD S+L			K - olm 12V	
wattage/W 12V	colour	L	code	W tot		
LED white 25x0,12W	nat. oxi.alum.	500	22014070-00	3	4000K	
LED white 50x0,12W	nat. oxi.alum.	1000	22014071-00	6		
LED white 75x0,12W	nat. oxi.alum.	1500	22014072-00	9		
LED white 100x0,12W	nat. oxi.alum.	2000	22014073-00	12		

		Linea LED - trafficable version					LED (Ta=25°C)	
		CLD S+L					K	
wattage/W 12V	colour	L	code	Kg max load	walked	trafficable	W tot	
LED white 60x0,12W	nat. oxi.alum.	500	22014074-00	1000	OK	OK	3	4000K
LED white 120x0,12W	nat. oxi.alum.	1000	22014075-00	1000	OK	OK	6	
LED white 180x0,12W	nat. oxi.alum.	1500	22014076-00	1000	OK	OK	9	
LED white 240x0,12W	nat. oxi.alum.	2000	22014077-00	1000	OK	OK	12	

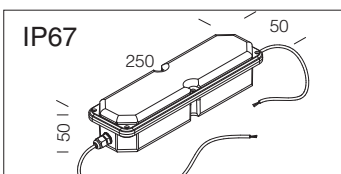
On request: 3000K, 5500K, RGB. Power supply 12V DC, see page 456.



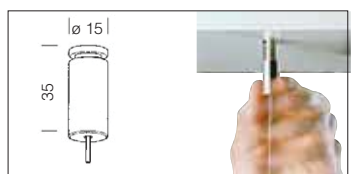
**Bracket for wall / ceiling installation**  
22027070-00  
Contains 2 pieces.



How to mount a continuous line: for accessories, please contact our offices.



Box IP67		
wattage	colour	code
70W	black	22092036-00
150W	black	22092038-00



Suspension	
galvanised	22003166-00
Supplied with steel wire (l=1,75m) and millimeter adjustment device. Max load: 20 kg	



Wall bracket for cylindrical Micro Liset	
Stainless steel	22025960-00
Use to install Micro Liset on the wall. Package contains 2 PVP pcs each.	

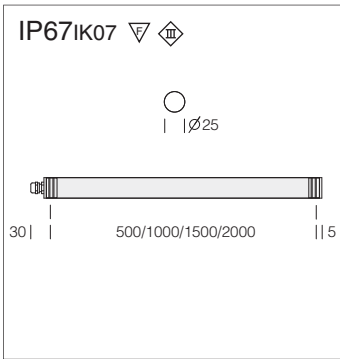


Suspension for cylindrical Micro Liset	
silicon	22025910-00
Use to install Micro Liset in suspension mode. Package contains 2 PVP pcs each.	

**LISET EMERGENCY ACCESSORIES**

1 hour lifespan				
Model	Flux	Output energy power:	Kg	Code
<b>KIT C1 24V</b> (batt. NiCd 7,2V 1,6Ah)	100% - 18 LED - 1h	<b>30W</b>	2	22096051-00
	50% - 36 LED - 1h			
	35% - 54 LED - 1h			
	25% - 72 LED - 1h			
All models come with: power supply, battery and inverter (220-240V-50/60Hz).				

1 hour lifespan				
Model	Flux	Output energy power:	Kg	Code
<b>KIT T3 24V</b> (batt. NiCd 7,2V 4Ah)	100% - 18 LED - 3h	<b>30W</b>	2	22096053-00
	50% - 36 LED - 3h			
	35% - 54 LED - 3h			
	25% - 72 LED - 3h			
All models come with: power supply, battery and inverter (220-240V-50/60Hz).				



LED



HOTEL



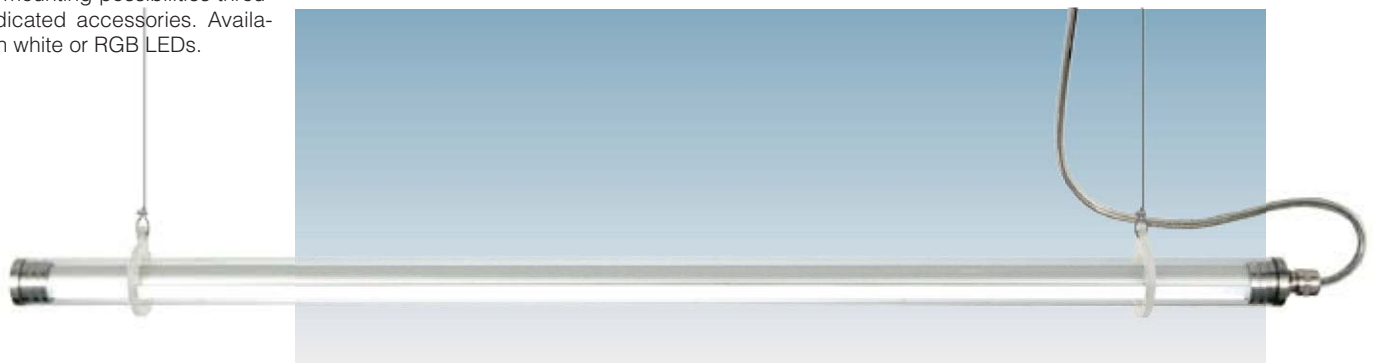
LED



**Housing:** anodised aluminium body.

**Diffuser:** tube in transparent polycarbonate with stainless steel headpieces.

This product offers different wall or ceiling mounting possibilities through dedicated accessories. Available with white or RGB LEDs.



Micro Liset - cylindrical 4100K						
wattage/W	colour	CLD S+L			W tot	LED (Ta=25°C)
		L	code			K - ølm 24V - CRI
LED white 6x1,4W	nat. oxi.alum.	535	22018870-00	6	8,4	4100K 130lm x LED - CRI 80
LED white 12x1,4W	nat. oxi.alum.	1035	22018871-00	12	16,8	
LED white 18x1,4W	nat. oxi.alum.	1535	22018872-00	18	25,2	
LED white 24x1,4W	nat. oxi.alum.	2035	22018873-00	24	33,6	

Micro Liset - cylindrical 4100K						
wattage/W	colour	CLD S+L			W tot	LED (Ta=25°C)
		L	code			K - ølm 24V - CRI
LED white 20x0,3W	nat. oxi.alum.	535	22018874-00	6	6	4100K 40lm x LED - CRI 80
LED white 40x0,3W	nat. oxi.alum.	1035	22018875-00	12	12	
LED white 60x0,3W	nat. oxi.alum.	1535	22018876-00	18	18	
LED white 80x0,3W	nat. oxi.alum.	2035	22018877-00	24	24	

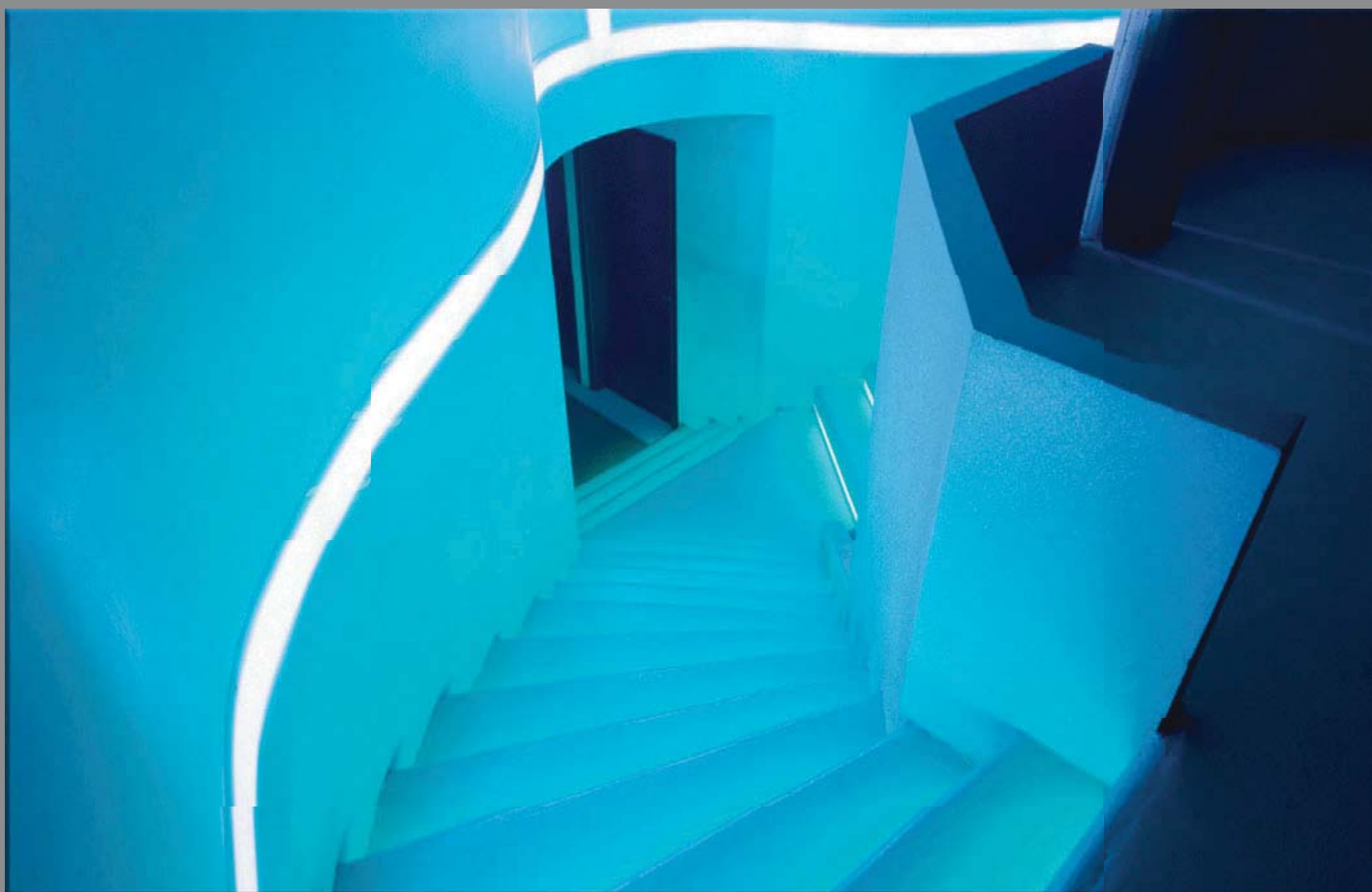
Micro Liset - cylindrical RGB						
wattage/W	colour	CLD S+L			W tot	LED (Ta=25°C)
		L	code			K - mcd - degrees
LED RGB 6x0,25W	nat. oxi.alum.	535	22018977-00	6	1,5	LED RGB da 0,25W R=160mcd G=500mcd B=260mcd - 120°
LED RGB 12x0,25W	nat. oxi.alum.	1035	22018978-00	12	3	
LED RGB 18x0,25W	nat. oxi.alum.	1535	22018979-00	18	4,5	
LED RGB 24x0,25W	nat. oxi.alum.	2035	22018980-00	24	6	
LED RGB 20x0,25W	nat. oxi.alum.	535	22018981-00	6	5	
LED RGB 40x0,25W	nat. oxi.alum.	1035	22018982-00	12	10	
LED RGB 60x0,25W	nat. oxi.alum.	1535	22018983-00	18	15	
LED RGB 80x0,25W	nat. oxi.alum.	2035	22018984-00	24	20	



<b>Remote control for IR receiver</b>
22099023-00
Control for a distance of up to 10/15 m.

<b>DMX controller for Micro Liset RGB</b>
22090861-00
Max 48W for channel

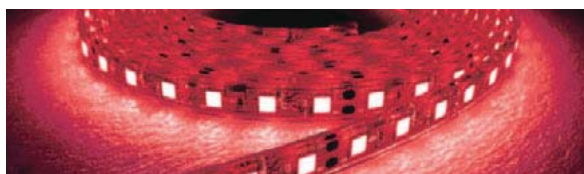
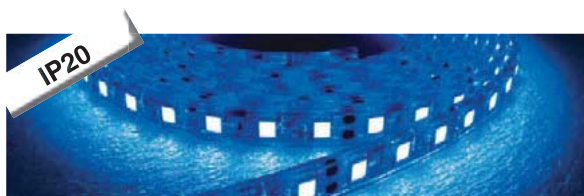
<b>Power supply and connector for Micro Liset RGB</b>
22090860-00



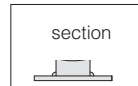
**Description:** LED RGB strips to be applied on smooth, clean and dry surfaces with 3M adhesive tape. Avoid installation on sharp surfaces and pay attention not to damage components. The product is supplied in 5-meter strips wrapped around support rolls, including a package containing connection accessories. Strips can be cut at preset distances (50 mm). For intermediate cuts, use the end caps included in the package and make sure that all cut ends are perfectly sealed.

Fosnova does not take responsibility for cuts made after the material has been delivered.

**Connector not included.**



**Note:** never use scissors for cutting, use a cutter instead. To ensure proper operation and the correct IP level, restore the strip cabling to the original configuration. For intermediate cuts, use the end caps included in the package and make sure that all cut ends are perfectly sealed. Fosnova does not take responsibility for cuts made after the material has been delivered. This note applies to all LED strips.



3M adhesive tape

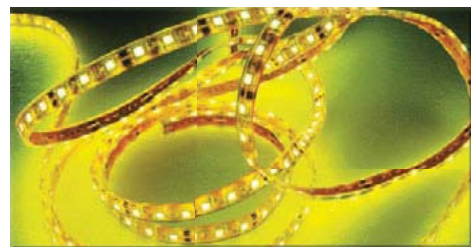


24V<sub>DC</sub>

yes



LED Strips - RGB						
quantity / meter	DC	L	code	W / linear meter	luminous flux	degrees
60 LED / meter	24V	5m	22485114-00	13,6 W/m	360 lm	120°



## LED STRIP POWER SUPPLY



Kit RGB MASTER 24V	
wattage/W	code
<b>KIT RGB 70W 24V MASTER</b>	22099057-00
The MASTER RGB KIT consists of: - Power supplier 220-240V 70W/24VDC IP20 - MASTER 12/24V max 2.5A ch. RGB - IR Sensor on CABLE 3x0.75 sq.mm H03V2V2-F, 0.4m long, (flat lens diam. 20mm and fitting hole diam. min. 12 mm) - Remote control - Connection cable between MASTER/Power supply 2x0.75/1 sq.m	

Kit RGB SLAVE 24V	
wattage/W	code
<b>KIT RGB 70W 24V SLAVE</b>	22099058-00
The SLAVE RGB KIT consists of: - Power supplier 220-240V 70W/24VDC IP20 - SLAVE 12/24V max 2.5A ch. RGB - Sync cable 1m long (3x0.75sq.mm H03V2V2-F) - Connection cable between SLAVE/Power supply 2x0.75/1 sq.mm	

Kit RGB	
wattage/W	code
<b>30W/12Vdc per CH</b>	22099053-00
<b>60W/24Vdc per CH</b>	22099056-00
Equipped with power supply, remote control and IR receiver	

### Product characteristics

The RGB central control unit comes with the following functions:

- 15 preset colours
  - 4 light effects (flash, strobe, fade, smooth)
  - possibility to adjust LED brightness (dimmer)
  - power backup in case of blackouts (the central control unit saves the last command received and resumes to its original status before the blackout).
- The control units can be configured as MASTER or SLAVE with jumper closed/open.

The central control unit can be powered by 12V to 24V current based on the type of LED used.

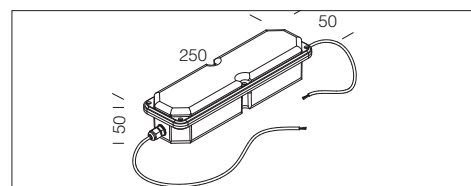
### Product characteristics

Sync cable: cables up to max 10m long are available upon request.

MAX n° SLAVE: 4 (for further combinations, please contact the manufacturer).

The control units can be configured as MASTER or SLAVE with jumper closed/open.

The central control unit can be powered by 12V to 24V current based on the type of LED used.



power supply for LED RGB	
wattage/W	code
<b>24Vdc 60W</b>	22090879-00
To be completed with Remote control code 22099023-00. IRE receiver code 22099050-00.	



**Description:** LED strips to be applied on smooth, clean and dry surfaces with 3M adhesive tape. Avoid installation on sharp surfaces and pay attention not to damage components. The product is supplied in 5-meter strips wrapped around support rolls, including a package containing connection accessories. Strips can be cut at preset distances: 50 mm (**only IP20 and IP65 version**); for intermediate cuts, use the end caps included in the package and make sure that all cut ends are perfectly sealed.

Fosnova does not take responsibility for cuts made after the material has been delivered.

**Connector not included.**  
**The colour temperatures of leds ranging from:**  
 4000-4500 K  
 2700-3200 K

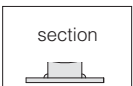


**Note:** never use scissors for cutting, use a cutter instead. To ensure proper operation and the correct IP level, restore the strip cabling to the original configuration. For intermediate cuts, use the end caps included in the package and make sure that all cut ends are perfectly sealed.

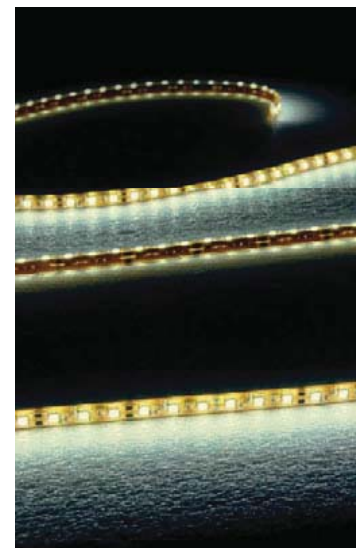


**25.000h**

Fosnova does not take responsibility for cuts made after the material has been delivered. This note applies to all LED strips.



**24V<sub>DC</sub>**

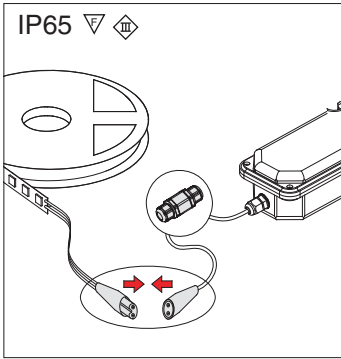


LED Strips - 3000K - IP20						
quantity / meter	V	L	code	W / linear meter	lm 190mA / meter	degrees
60 LED	24V	5m	22485111-00	4,6 W/m	300lm	120°

LED Strips - 4200K - IP20						
quantity / meter	V	L	code	W / linear meter	lm 600mA / meter	degrees
60 LED	24V	5m	22485115-00	14,4 W/m	1200lm	120°

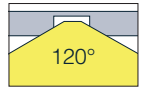
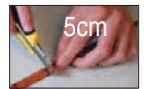
LED strips power supply				
wattage/W	code			Use subcode -12 for 1-10V power units. Version with DMX unit code 22092054-00
60W / 24V	22090760-00	2 Strips 60LED 4,6 W/m	1 Strip 7,2 W/m	
100W / 24V	22090710-00	1 Strip 60LED 14,4 W/m	4 Strips 60LED 4,6 W/m	
150W / 24V	22090715-00	2 Strips 60LED 14,4 W/m	6 Strips 60LED 4,6 W/m	



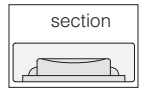


**Note:** never use scissors for cutting, use a cutter instead (**IP65 version only**). To ensure proper operation and the correct **IP65** level, restore the strip cabling to the original configuration. For intermediate cuts, use the end caps included in the package and make sure that all cut ends are perfectly sealed.

Fosnova does not take responsibility for cuts made after the material has been delivered. This note applies to all LED strips.



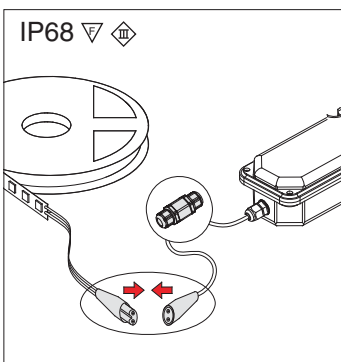
**25.000h**



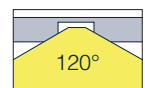
**24V<sub>DC</sub>**

LED Strips - 3000K - IP65						
quantity / meter	V	L	code	W / linear meter	lm 600mA/meter	degrees
60 LED	24V	5m	22485116-00	14,4 W/m	720lm	120°

LED Strips - 4200K - IP65						
quantity / meter	V	L	codice	W / linear meter	lm 600mA/meter	degrees
60 LED	24V	5m	22485117-00	14,4 W/m	1200lm	120°



**IP68:** these products should not be cut in order to keep the IP protection level unaltered.



**25.000h**



**24V<sub>DC</sub>**



LED Strips - 3000K - IP68						
quantity / meter	V	L	code	W / linear meter	lm 300mA meter	degrees
30 LED	24V	5m	22485118-00	7,2 W/m	600lm	120°

LED Strips - 4200K - IP68						
quantity / meter	V	L	code	W / linear meter	lm 300mA meter	degrees
30 LED	24V	5m	22485119-00	7,2 W/m	600lm	120°

LED strips power supply IP 67				
wattage/W	code			
60W / 24V	22092030-00	2 Strips 60LED 4,6 W/m	1 Strip 30LED 7,2 W/m	Use subcode -12 for 1-10V power units. Version with DMX unit code 22092054-00
100W / 24V	22092036-00	1 Strip 60LED 14,4 W/m	4 Strips 60LED 4,6 W/m	
150W / 24V	22092038-00	2 Strips 60LED 14,4 W/m	6 Strips 60LED 4,6 W/m	

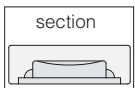


**Note:** never use scissors for cutting, use a cutter instead (**IP65 version only**). To ensure proper operation and the correct **IP65** level, restore the strip cabling to the original configuration. For intermediate cuts, use the end caps included in the package and make sure that all cut ends are perfectly sealed.



25.000h

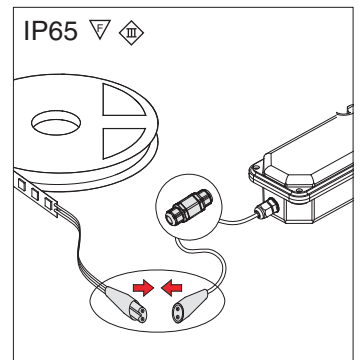
Fosnova does not take responsibility for cuts made after the material has been delivered. This note applies to all LED strips.



section

24V<sub>DC</sub>

3M adhesive tape

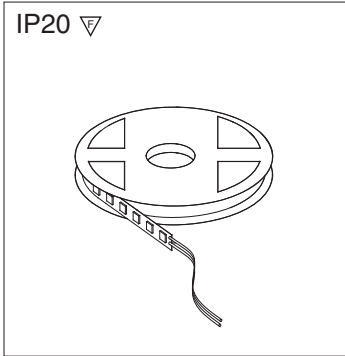


LED Strips - 3200K - IP65							
quantity / meter	V	L	code	W / linear meter	lm 600mA meter	degrees	
60 LED	24V	5m	22485212-00	14,4 W/m	1080lm	120°	

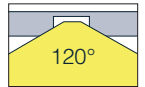
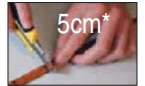
LED Strips - 4200K - IP65							
quantity / meter	V	L	code	W / linear meter	lm 600mA meter	degrees	
60 LED	24V	5m	22485215-00	14,4 W/m	1200lm	120°	

LED Strips - 5700K - IP65							
quantity / meter	V	L	code	W / linear meter	lm 600mA meter	degrees	
60 LED	24V	5m	22485213-00	14,4 W/m	1320lm	120°	

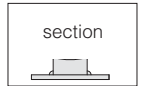
LED strips power supply IP 67						
wattage/W	code					Use subcode -12 for 1-10V power units. Version with DMX unit code 22092054-00
60W / 24V	22092030-00	2 Strips 60LED 4,6 W/m	1 Strip 30LED 7,2 W/m			
100W / 24V	22092036-00	1 Strip 60LED 14,4 W/m	4 Strips 60LED 4,6 W/m			
150W / 24V	22092038-00	2 Strips 60LED 14,4 W/m	6 Strips 60LED 4,6 W/m			



**Note:** never use scissors for cutting, use a cutter instead. To ensure proper operation and the correct IP level, restore the strip cabling to the original configuration. For intermediate cuts, use the end caps included in the package and make sure that all cut ends are perfectly sealed. Fosnova does not take responsibility for cuts made after the material has been delivered. This note applies to all LED strips.

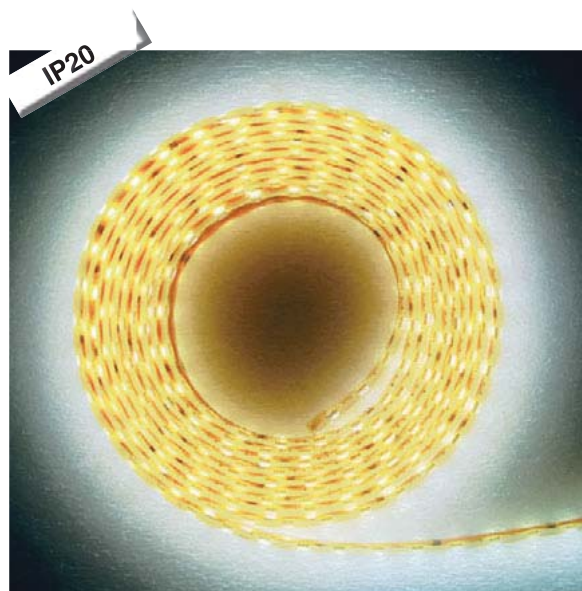
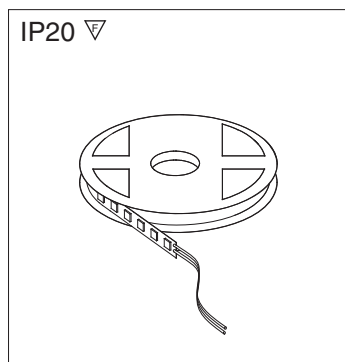


**25.000h**



**24V<sub>DC</sub>**

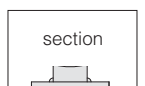
LED Strips - 3200K - 30 LED						
quantity / meter	V	L	code	W / linear meter	lm 600mA meter	degrees
30 LED	24V	5m	22485322-00	7,2 W/m	540lm	120°
LED Strips - 4200K - 30 LED						
quantity / meter	V	L	code	W / linear meter	lm 600mA meter	degrees
30 LED	24V	5m	22485325-00	7,2 W/m	600lm	120°
LED Strips - 5700K - 30 LED						
quantity / meter	V	L	code	W / linear meter	lm 600mA meter	degrees
30 LED	24V	5m	22485323-00	7,2 W/m	660lm	120°



**Note:** never use scissors for cutting, use a cutter instead. To ensure proper operation and the correct IP level, restore the strip cabling to the original configuration. For intermediate cuts, use the end caps included in the package and make sure that all cut ends are perfectly sealed. Fosnova does not take responsibility for cuts made after the material has been delivered. This note applies to all LED strips.



**25.000h**

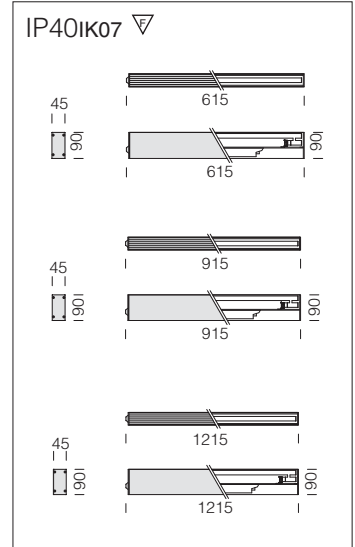
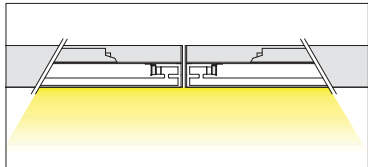
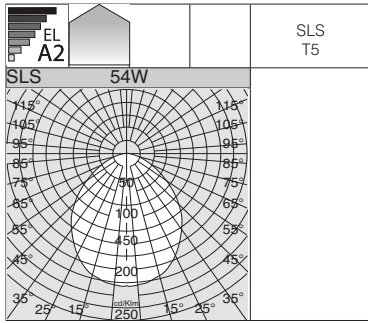


**24V<sub>DC</sub>**

LED Strips - 3200K - 60 LED						
quantity / meter	V	L	code	W / linear meter	lm 600mA meter	degrees
60 LED	24V	5m	22485312-00	14,4 W/m	1080lm	120°
LED Strips - 4200K - 60 LED						
quantity / meter	V	L	code	W / linear meter	lm 600mA meter	degrees
60 LED	24V	5m	22485315-00	14,4 W/m	1200lm	120°
LED Strips - 5700K - 60 LED						
quantity / meter	V	L	code	W / linear meter	lm 600mA meter	degrees
60 LED	24V	5m	22485313-00	14,4 W/m	1320lm	120°

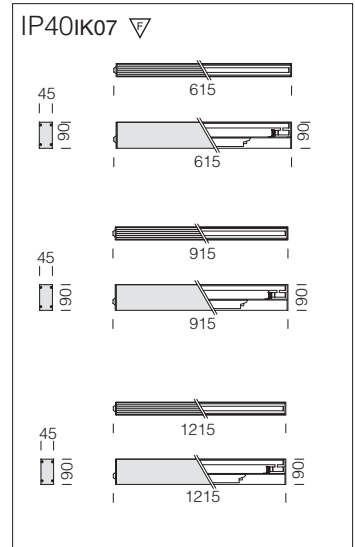
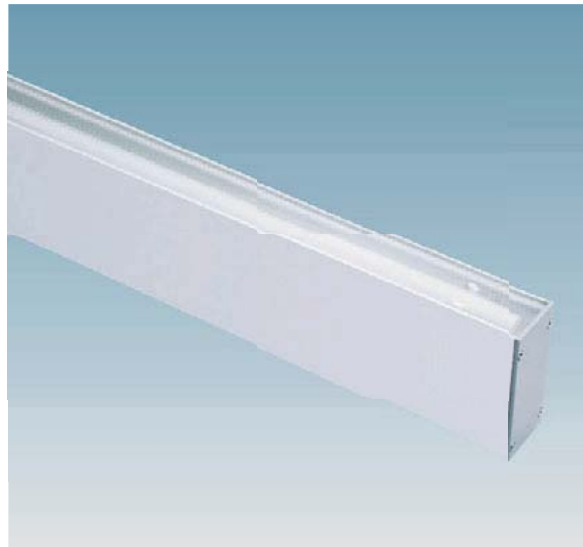
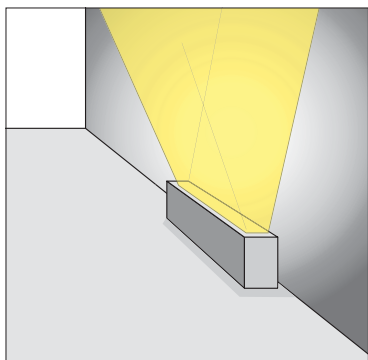
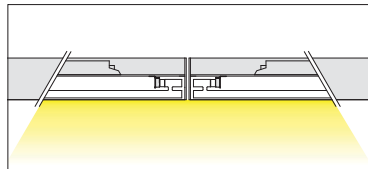


LED strips power supply				
wattage/W	code			
60W / 24V	22090760-00	2 Strips 60LED 4,6 W/m	1 Strip 7,2 W/m	Use subcode -12 for 1-10V power units. Version with DMX unit code 22092054-00
100W / 24V	22090710-00	1 Strip 60LED 14,4 W/m	4 Strips 60LED 4,6 W/m	
150W / 24V	22090715-00	2 Strips 60LED 14,4 W/m	6 Strips 60LED 4,6 W/m	



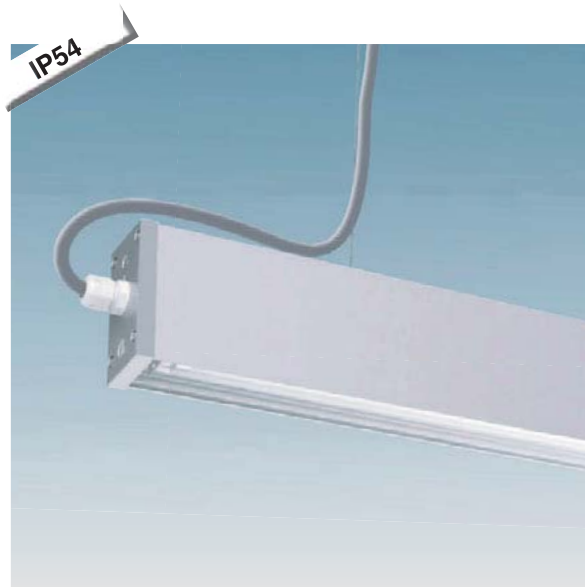
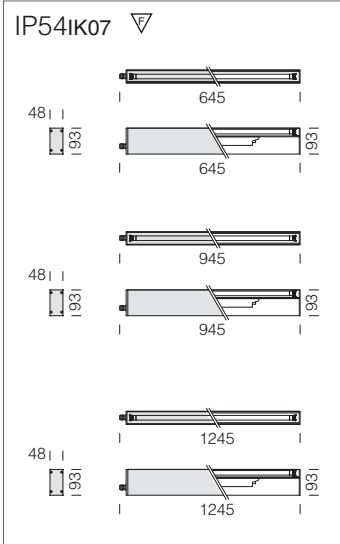
Maxi LISET IP40 - all light - Home				
wattage/W	colour	CELL		Lamps (Ta=25°C)
		L	code	Kelvin - ølm - Ra
HO24W / 830 SLS	nat. oxidized al.	615	22019070-00	3000K - 1750 lm - Ra 1b
HO39W / 830 SLS	nat. oxidized al.	915	22019076-00	3000K - 3100 lm - Ra 1b
HO54W / 830 SLS	nat. oxidized al.	1215	22019077-00	3000K - 4450 lm - Ra 1b

Possibility of suspension installation with acc. 22005385-00, wall mounting with acc. 22027073-00 or ceiling mounting with acc. 22005384-00. T5 SLS lamps offer considerable benefits from the aesthetic point of view, because linear FL lamps have never been able to offer a solution to avoid dark spots or shadows between the fixtures arranged sequentially in rows (that do not represent an optimum solution). Thanks to the new SLS lamps dark spots are totally eliminated.



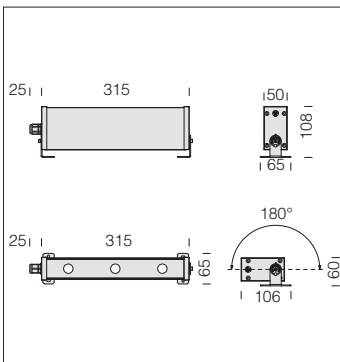
Maxi LISET IP40 - all light - Home				
wattage/W	colour	CELL		Lamps (Ta=25°C)
		L	code	Kelvin - ølm - Ra
HO24W / 830 SLS	nat. oxidized al.	615	22019072-00	3000K - 1750 lm - Ra 1b
HO39W / 830 SLS	nat. oxidized al.	915	22019075-00	3000K - 3100 lm - Ra 1b
HO54W / 830 SLS	nat. oxidized al.	1215	22019074-00	3000K - 4450 lm - Ra 1b

With Schuko socket, 2 m long. T5 SLS lamps offer considerable benefits from the aesthetic point of view, because linear FL lamps have never been able to offer a solution to avoid dark spots or shadows between the fixtures arranged sequentially in rows (that do not represent an optimum solution). Thanks to the new SLS lamps dark spots are totally eliminated.



Maxi LISET IP54				
wattage/W	colour	CELL		Lamps (Ta=35°C)
		L	code	Kelvin - ølm - Ra
<b>FL 1x24W</b>	nat. oxidized al.	615	22019370-00	4000K - 2000 lm - Ra 1b
<b>FL 1x39W</b>	nat. oxidized al.	915	22019371-00	4000K - 3500 lm - Ra 1b
<b>FL 1x54W</b>	nat. oxidized al.	1215	22019372-00	4000K - 5000 lm - Ra 1b

Possibility of suspension installation with acc. 22005385-00, wall mounting with acc. 22027073-00 or ceiling mounting with acc. 22005384-00.



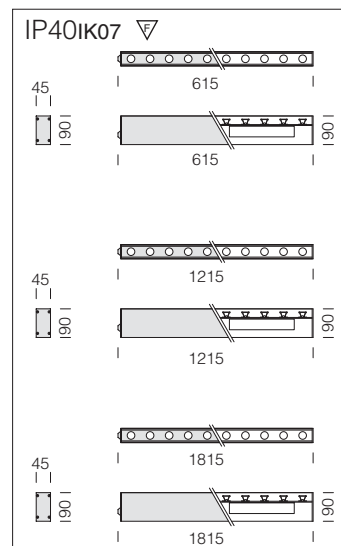
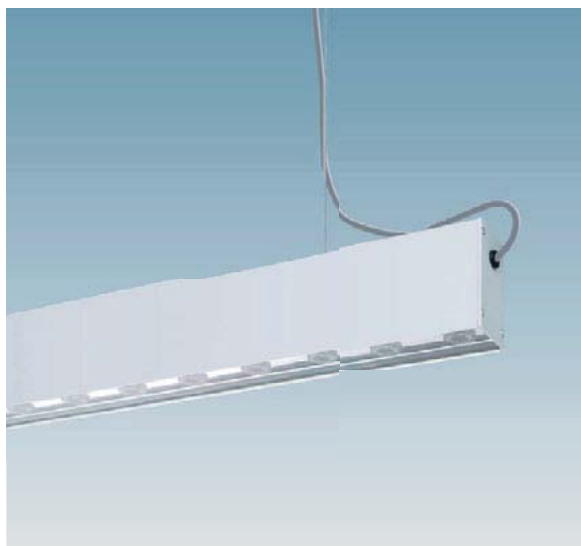
**On request:** special version with a length of 315mm.



LED



LED



Maxi LISET - LED - IP40					
		CLD CELL		LED (Ta=25°C)	
wattage/W (700mA)	colour	L	code	w tot	Kelvin - 700mA - CRI
<b>10x2,3W LED</b>	nat. oxidized al.	615	22019171-00	<b>27</b>	4100K - 2400lm - CRI80
<b>20x2,3W LED</b>	nat. oxidized al.	1215	22019172-00	<b>53</b>	4100K - 4800lm - CRI80
<b>30x2,3W LED</b>	nat. oxidized al.	1815	22019173-00	<b>80</b>	4100K - 7200lm - CRI80

Can be suspended with acc. 22005385-00, mounted on a wall with acc. 22027073-00 or mounted from the ceiling with acc. 22005384-00.

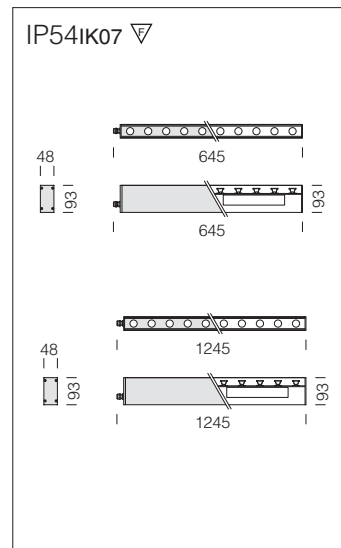
On request: Led tube



FL	Tube LED	lm	mm
18W	13W	925lm	600
36W	25W	1850lm	1200

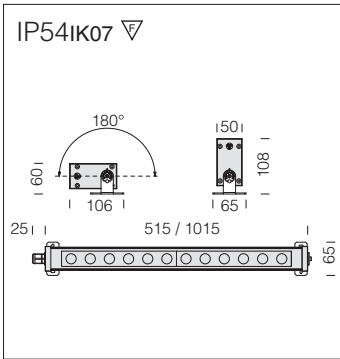


LED



Maxi LISET - LED - IP54					
		CLD CELL		LED (Ta=25°C)	
wattage/W (500mA)	colour	L	code	w tot	Kelvin - 500mA - CRI
<b>10x1,6W LED</b>	nat. oxidized al.	615	22019373-00	<b>19</b>	4100K - 1800lm - CRI80
<b>20x1,6W LED</b>	nat. oxidized al.	1215	22019374-00	<b>37</b>	4100K - 3600lm - CRI80

Can be suspended with acc. 22005385-00, mounted on a wall with acc. 22027073-00 or mounted from the ceiling with acc. 22005384-00.



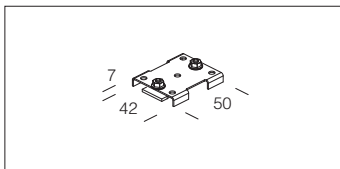
On request: on project



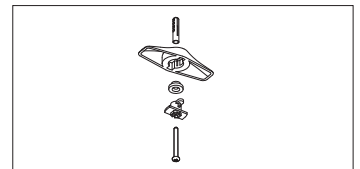
LED

ACCESORY MAXILISSET

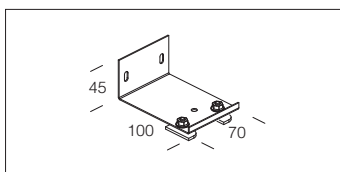
Alignment bracket	
steel	22027075-00



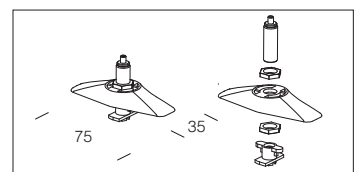
Ceiling connection	
grey	22005384-00
To install directly on the ceiling. Capacity: 6 Kg. Always use 2.	



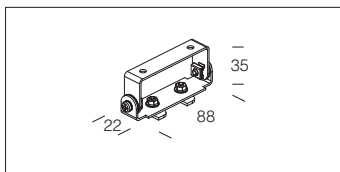
Fixed bracket	
steel	22027073-00
Use to install Maxi Liset.	



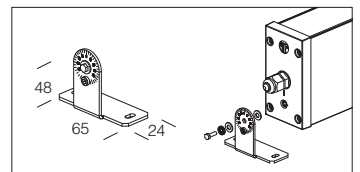
Connection for suspension	
grey	22005385-00
For direct suspending installation. Supplied with wire clamp and terminal. Always use 2 pcs.	



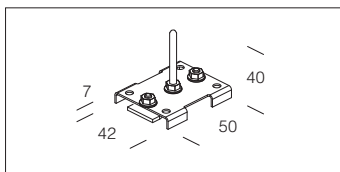
Adjustable bracket for Maxi Liset	
grey	22027077-00
Use the installation directly on the ceiling. Capacity: 6 Kg. Always use 2.	



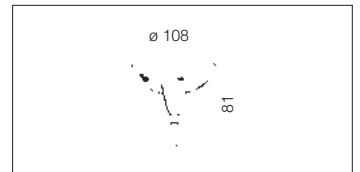
Bracket	
steel	22027071-00



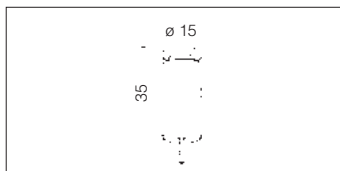
Track bracket for Omnitrack	
steel	22025672-00



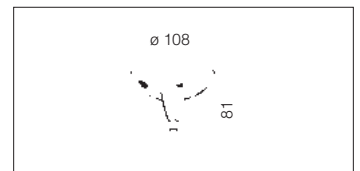
Powered suspension	
100 cm	22003173-00
Supplied with steel wire, millimetre adjustment device, and power cord. Max load: 20 Kg. Length 100 cm.	

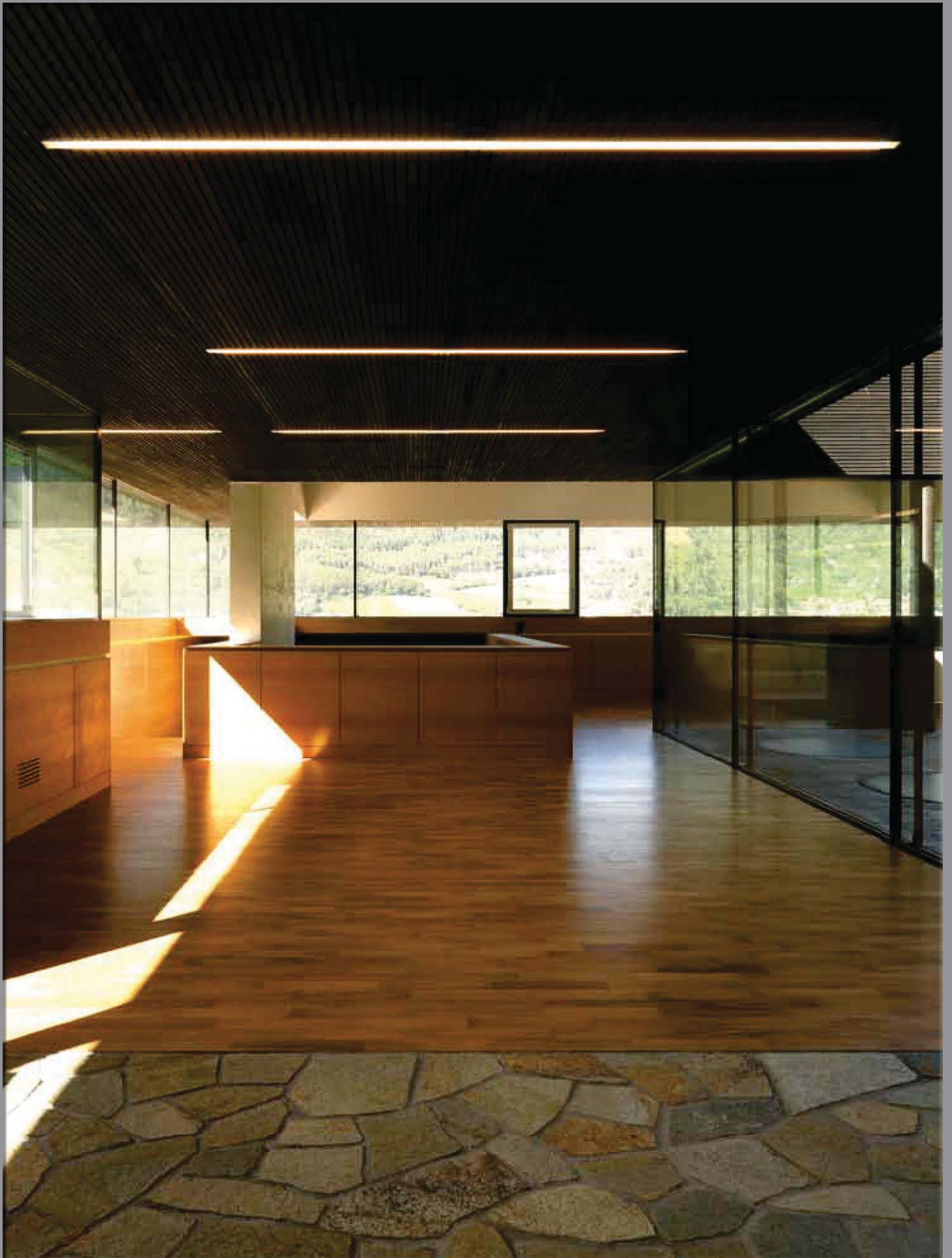


Suspension	
galvanised	22003166-00
Supplied with steel wire (l=1,75m) and millimetre adjustment device. Max load: 20 kg	

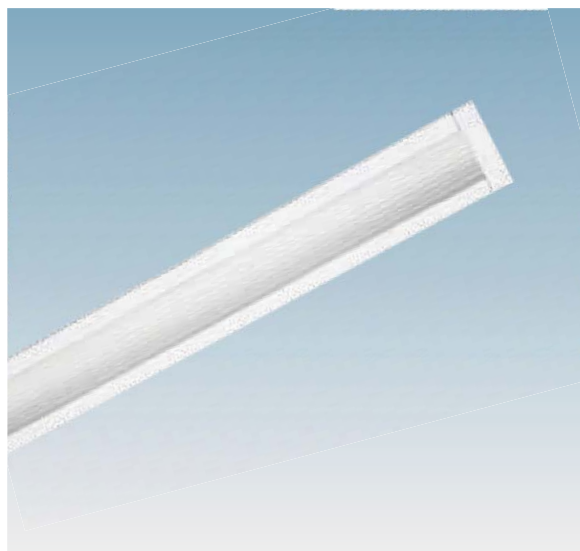
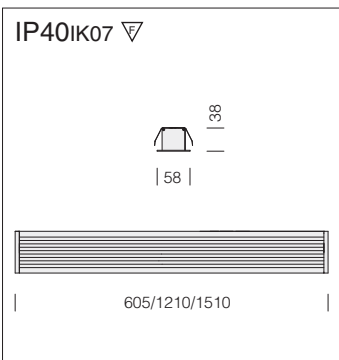


Suspension	
100 cm	22003171-00
Supplied with steel wire and millimetre adjustment device. Max load: 20 kg.	









LED DSL			
	589x42	1194x42	1494x42



Lamp available in recessed or linear suspended version for direct lighting. Its design is both neutral and sophisticated, reproducing elegant effects in space. Applications include of-fices, individual worktops and home interiors.

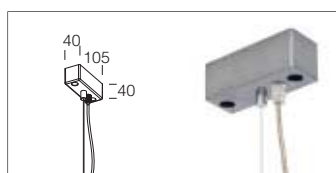
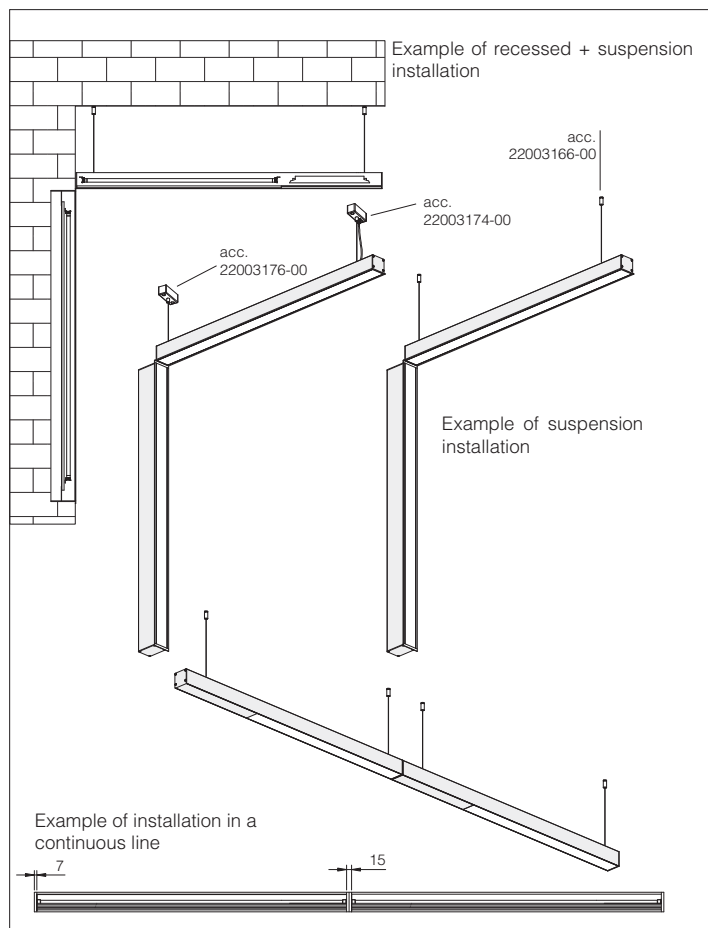
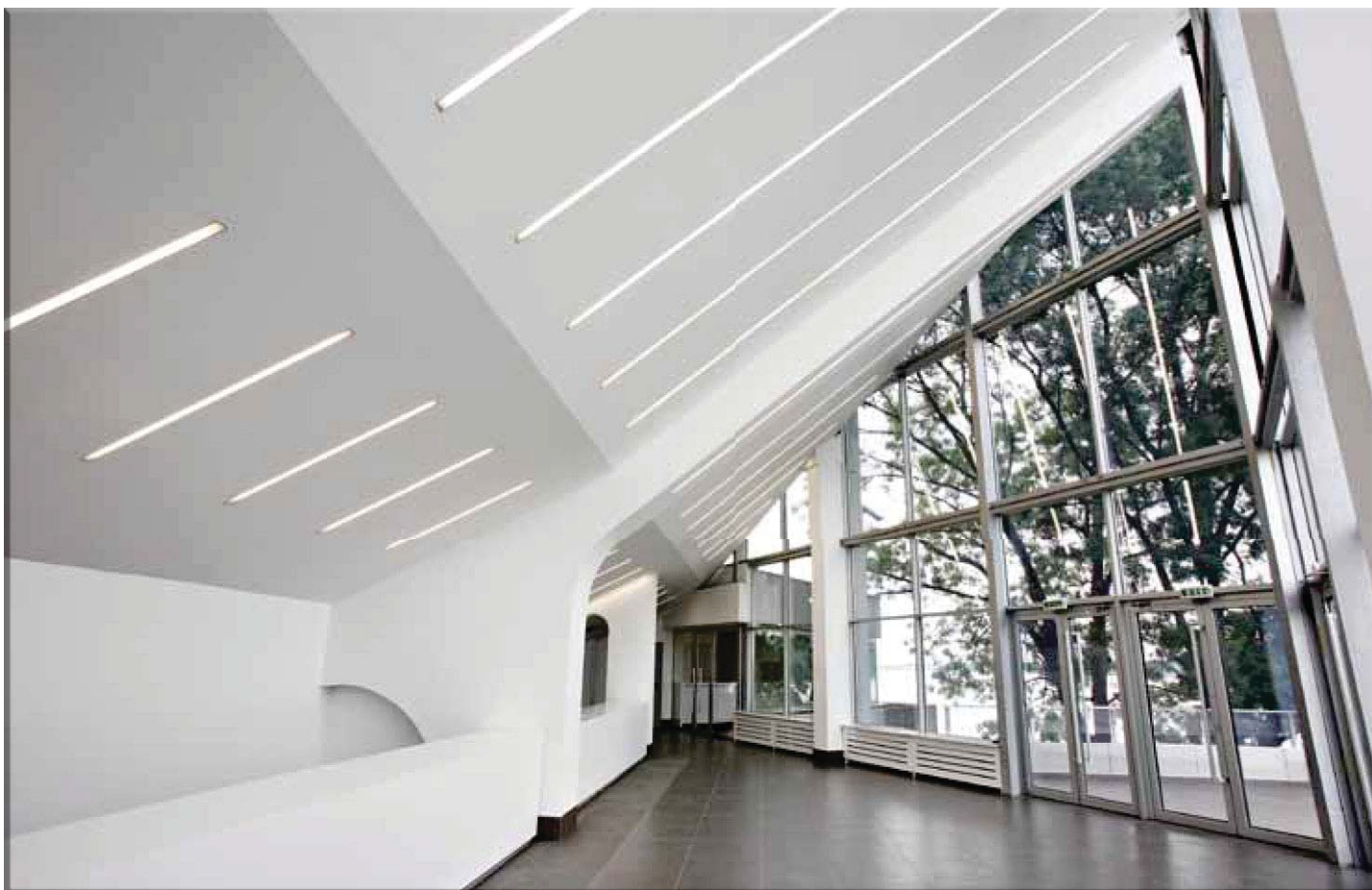
Architectural signal light for mounting on plasterboard wall.

**Housing:** in extruded aluminium with polyester paint and white clamps for plasterboard mounting.

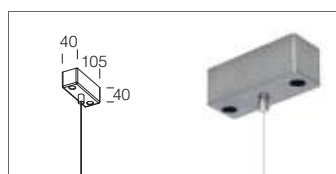


Minilinea LED - recessed 3000K					
		CLD CELL			LED (Ta=25°C)
wattage/W	colour	L	code	W tot	CRI - 24V
36x0,36W LED white	white	605	22017570-00	13	White LED by 0,36W. CRI 75
72x0,36W LED white	white	1210	22017575-00	25	
90x0,36W LED white	white	1510	22017579-00	31	

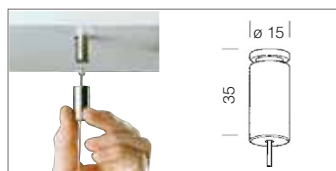
Power supply are to be acquired separatelycod. 22092022 / 22090839-00 / 40-00 / 60-00.



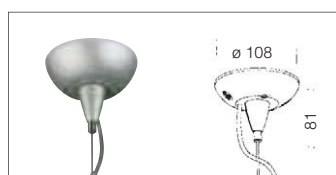
Powered suspension with wire	
100 cm	22003174-00
Supplied with steel wire and millimetre adjustment device and power cord. Max loading 20Kg.	



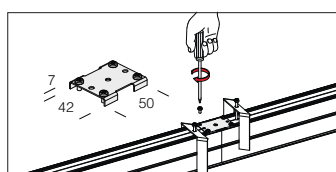
Suspension with wire	
100 cm	22003176-00
Completed with steel wire and millimetre adjustment device. Max load: 20 kg.	



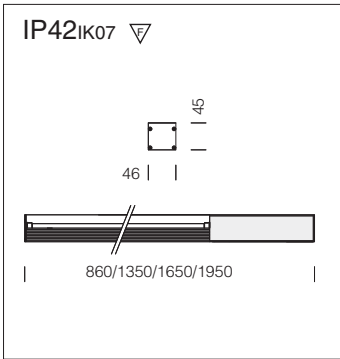
Simple suspension	
galvanised	22003166-00
Supplied with steel wire (l=1,75m) and millimetre adjustment device. Max load: 20 kg.	



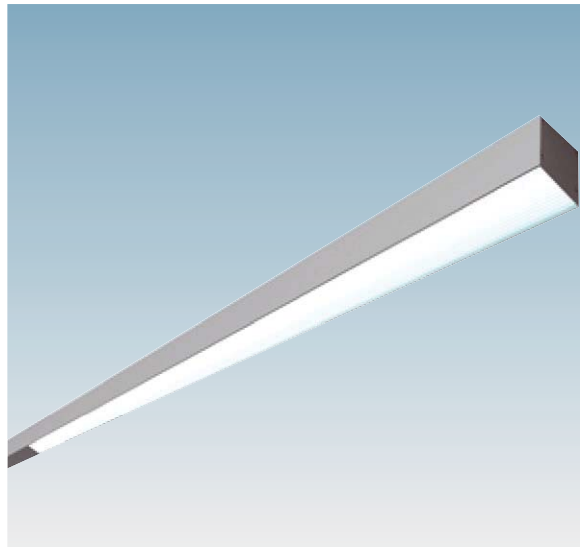
Powered suspension	
100 cm	22003173-00
Supplied with steel wire, millimetre adjustment device, and power cord. Max load: 20 Kg. Length 100 cm	



Alignment bracket	
	22025882-00
For continuous mechanics line.	

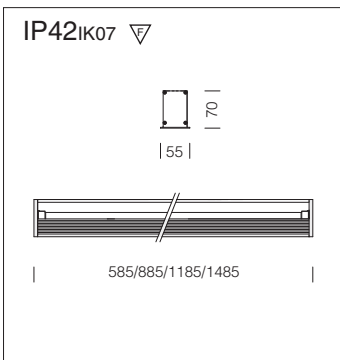


**Housing:** in extruded aluminium.  
**Diffuser:** made of polycarbonate with a prismatic structure.  
**Equipment:** supplied with suspension accessories (steel wires and ceiling roses).

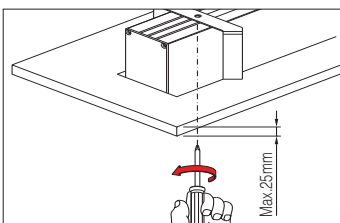
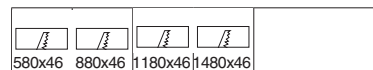
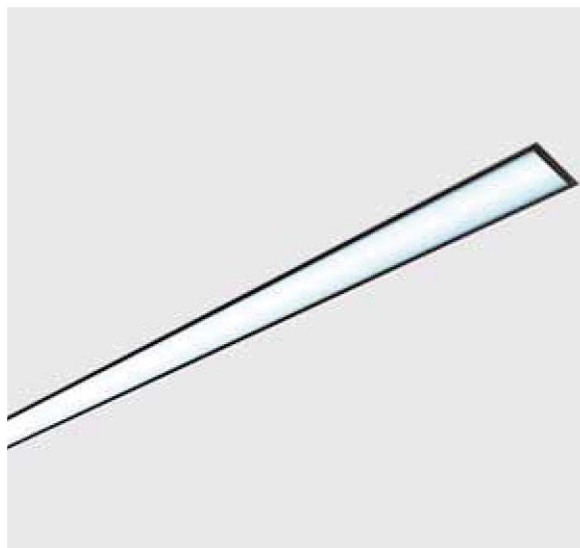


Minilinea A - suspension				
		CELL		Lamps (Ta=35°C)
wattage/W	colour	weight	code	Kelvin - ølm - Ra
FL 1x14W	nat. oxidised alum.	1,20	22017471-00	4000K - 1350lm - Ra1b
FL 1x21W	nat. oxidised alum.	1,70	22017473-00	4000K - 2100lm - Ra1b
FL 1x28W	nat. oxidised alum.	1,90	22017475-00	4000K - 2900lm - Ra1b
FL 1x35W	nat. oxidised alum.	2,10	22017479-00	4000K - 3650lm - Ra1b

The power supply is housed at one end of the lighting fixture.



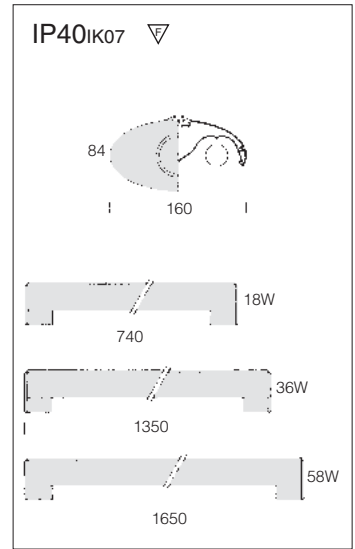
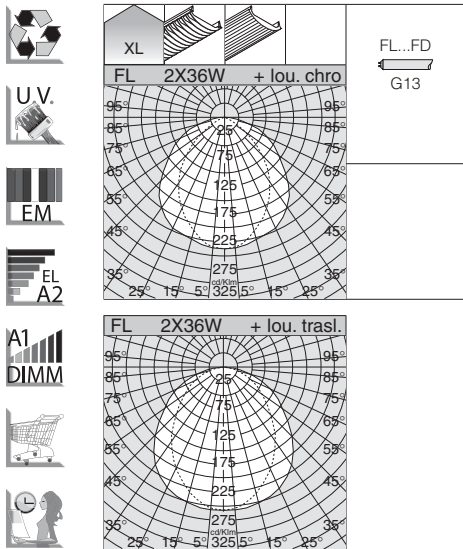
**Housing:** in extruded aluminium.  
**Diffuser:** made of polycarbonate with a prismatic structure.



Can be recessed mounted in a solid line with linear joint code 22025882-00.

Minilinea B - recessed				
		CELL		Lamps (Ta=35°C)
wattage/W	colour	weight	code	Kelvin - ølm - Ra
FL 1x14W	nat. oxidised alum.	1,10	22017572-00	4000K - 1350lm - Ra1b
FL 1x21W	nat. oxidised alum.	1,60	22017574-00	4000K - 2100lm - Ra1b
FL 1x28W	nat. oxidised alum.	1,80	22017576-00	4000K - 2900lm - Ra1b
FL 1x35W	nat. oxidised alum.	2,00	22017578-00	4000K - 3650lm - Ra1b

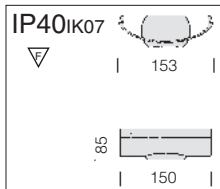
Recessed size: 14W=585x46 - 21W=885x46 - 28W=1185x46 - 35W=1485x46



On request: Led tube

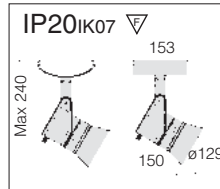
Ovale - two lamps					
		CEL		CEL-E	
wattage	colour	weight	code	weight	code
FL 2x18	grey	2,30	22235072-08	3,50	22235072-09
FL 2x18	white	2,30	22235012-08	3,50	22235012-09
FL 2x18	m. silver	2,30	22235062-08	3,50	22235062-09
FL 2x36	grey	3,30	22235074-08	4,40	22235074-09
FL 2x36	white	3,30	22235014-08	4,40	22235014-09
FL 2x36	m. silver	3,30	22235064-08	4,40	22235064-09
FL 2x58	grey	3,80	22235076-08	5,70	22235076-09
FL 2x58	white	3,80	22235016-08	5,70	22235016-09
FL 2x58	m. silver	3,80	22235066-08	5,70	22235066-09

Electric gear in the upper part of the fixture. Excluding louvres.



Ovale pivoting with dichr. lamp			
		CTL	
wattage	colour	weight	code
DICR 50	m. silver	0,50	22230362-00
DICR 50	grey	0,50	22230372-00
DICR 50	white	0,50	22230312-00

Lamps: 3000K - 3000h - 1800cd



Ovale spot "A" PAR30			
		S+L	
wattage	colour	weight	code
PAR30 75	m. silver	1,30	22230562-00
PAR30 75	grey	1,30	22230572-00
PAR30 75	white	1,30	22230512-00

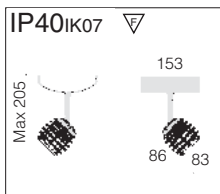
Lamps: 3000K - 1750 cd - Ra 1b



Pivoting spot with dichroic lamp. Semi-spherical shape, in black lacquered steel. Cover in die-cast aluminium. Supplied with dichroic halogen lamp and 230/12 V transformer. To be applied on the structural module "S".

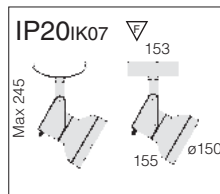


Black die-cast aluminium spotlight. Die-cast aluminium cover. Supplied with 230V halogen lamp. To be applied on structural module "S".



Ovale pivoting with dichr. lamp			
		CTL	
wattage	colour	weight	code
DICR 50	m. silver	0,60	22230460-00
DICR 50	m. grey	0,60	22230470-00
DICR 50	white	0,60	22230410-00

Lamps: 3000K - 3000h - 1800cd



Ovale spotlight AR111			
		CTL	
wattage	colour	weight	code
AR111 75	m. silver	1,20	22230662-00
AR111 75	grey	1,20	22230672-00
AR111 75	white	1,20	22230612-00

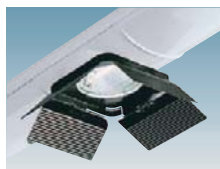
Lamps: 3000K - 3000h - 3500cd



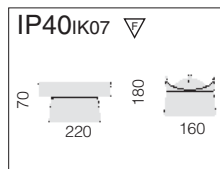
Black plastic spot. Cover in die-cast aluminium. Supplied with dichroic halogen lamp and 230/12 V transformer. To be applied on structural module "S".



Die-cast aluminium spotlight with cooling holes. With narrow-beam AR111 lamp with electromechanical transformer. Black spotlight on white, silver, grey serial cover. To be applied on structural module "S".

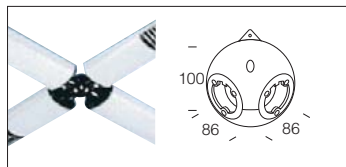


Ovale halogen spotlight			
		S	
wattage	colour	weight	code
ALO 230W max	m. silver	1,20	22231162-00
ALO 230W max	grey	1,20	22231172-00
ALO 230W max	white	1,20	22231112-00

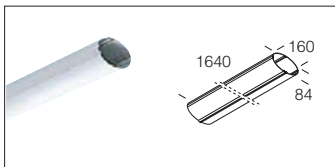


Ovale met. halide spotlight			
		CNRL	
wattage	colour	weight	code
JM-TS 70	m. silver	2,60	22231262-00
JM-TS 70	grey	2,60	22231272-00
JM-TS 70	white	2,60	22231212-00

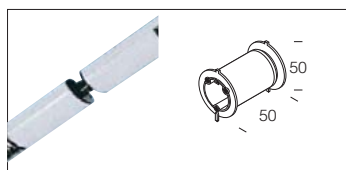
Lamps: 3000K - 5100 lm - Ra 1b



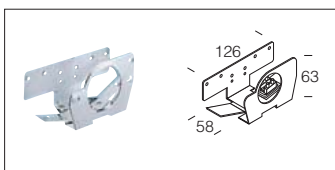
Spherical joint	
black	22270030-00
For jointing of up to 4 fixtures and creation of variable angles. Equipped with 2 linear joints and 2 end caps.	



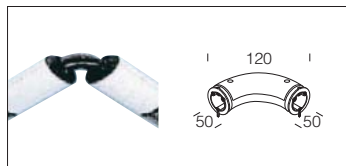
Structural module	
met. grey	22235276-00
white	22235216-00
m. silver	22235266-00
With cover. For continuous lines, linear joint and end cap are required	



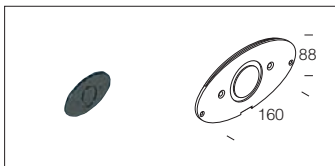
Straight joint	
black	22271530-00
For jointing, suspension and rotation of 2 fixtures.	



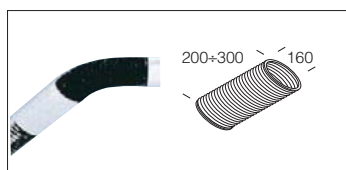
Junction plate	
galvan.	22275110-00
Component holder. To be always applied to module "S" even when cut into more than one piece.	



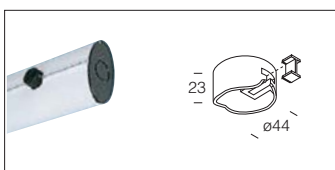
Angle joint	
black	22271630-00
For "L" jointing, suspension and rotation of 2 fixtures	



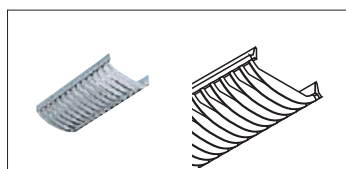
End cap	
black	22275530-00
To be applied on the structural module when cut in several pieces or to the junction plate for continuous lines	



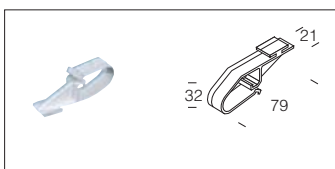
Flexible joint	
black	22271630-00
Made of "dutral" rubber. For connection at variable angles.	



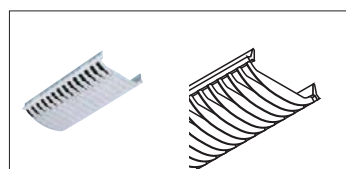
Ceiling connection	
steel	22270530-00
Fibreglass nylon with zamak support. For direct ceiling installation.	



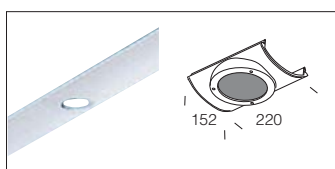
Chrome louvre	
chrome	22272010-00
Made of polycarbonate to improve light control and reduce glare effects. No. of pieces required for each module: 18W= 2; 36W= 4; 58W= 5	



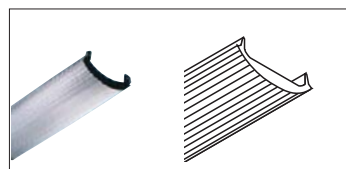
Wire clip	
white	22276010-00
Made of nylon. Snap fastening inside the fixture	



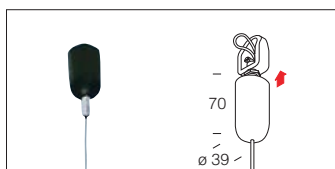
Translucent louvre	
translucent	22272210-00
Anti-glare polycarbonate. To reduce glare effect. No. of pieces required for each module: 18W= 2; 36W= 4; 58W= 5.	



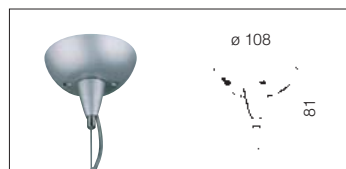
Loudspeaker module	
met. grey	22230972-00
white	22230912-00
m. silver	22230962-00
Die-cast aluminium with front grid. To be applied on the structural module.	



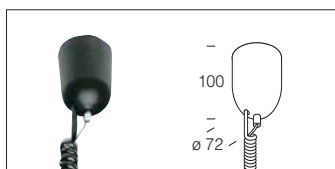
Diffuser	
18 transp.	22272502-00
36 transp.	22272504-00
Dust-proof, anti-glare Plexiglass	



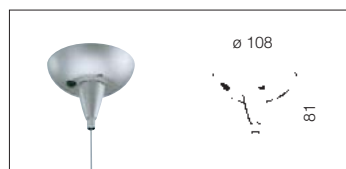
Suspension	
black	22003106-00
white	22003186-00
Steel wire (l=1,5m) with millimetre adjustment device. Max load: 20 kg.	



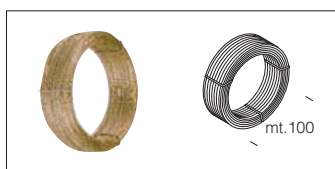
Powered suspension	
100 cm	22003173-00
Supplied with steel wire, millimetre adjustment device, and power cord. Max load: 20 Kg. Length 100 cm.	



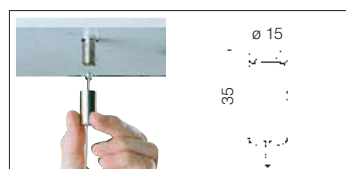
Powered suspension	
black	22003107-00
white	22003187-00
Steel wire (l=1,5m), millimetre adjustment device, and power supply cable (max 2000 W). Max load: 20 kg.	



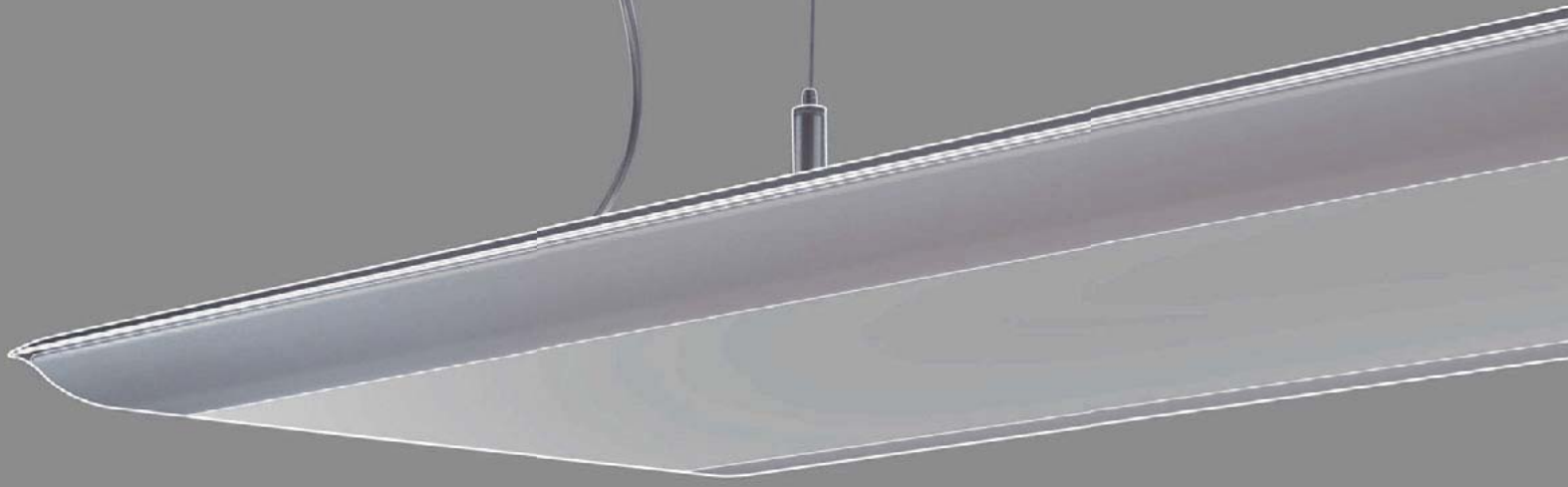
Suspension	
100 cm	22003171-00
Supplied with steel wire and millimetre adjustment device. Max load: 20 kg.	

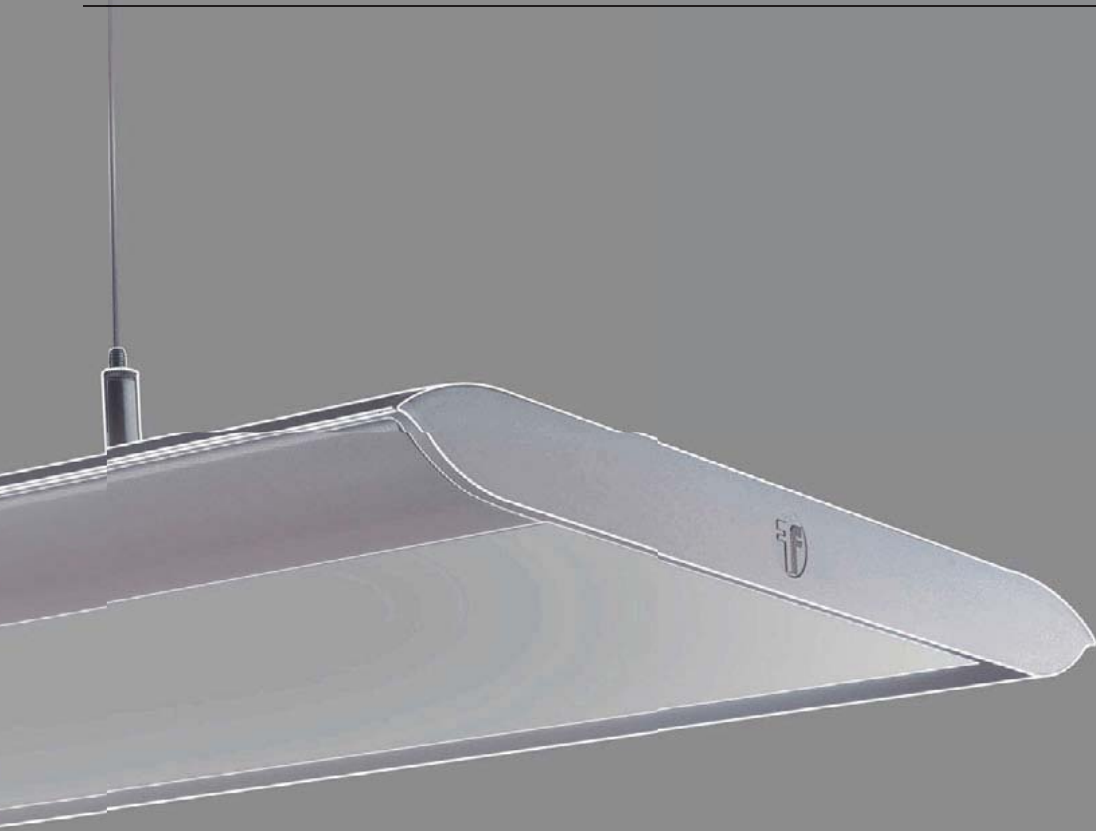


Suspension wire	
steel	22005226-00
In steel wire. For simple and powered suspension.	



Simple suspension	
steel	22003166-00
Steel wire (l=1,75m) with millimetre adjustment device. Max load: 20 kg.	





Argostar p. 414



Bell p. 406



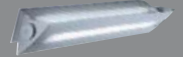
Carattere p. 432



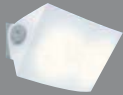
Compendio p. 410



Cortesia p. 430



Cover p. 398



Cover Light p. 402



Cubic p. 390

new



Curve p. 434



Eolo p. 418



Indoor p. 419



King p. 422



Minerva p. 396



Mnighost p. 417



Navigator p. 426



OnOff p. 444



Pannello Luminoso p. 424

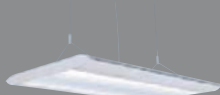
new



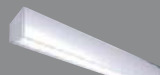
Products for shopping centres p. 440



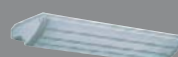
Riflesso p. 435



Slim p. 388



Slim Cover p. 400



Soft p. 404



Spy p. 436



Stilo p. 420

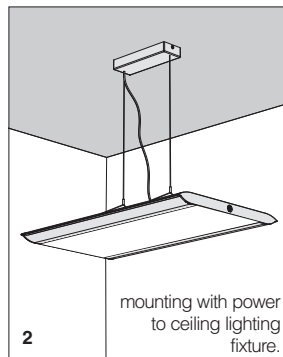
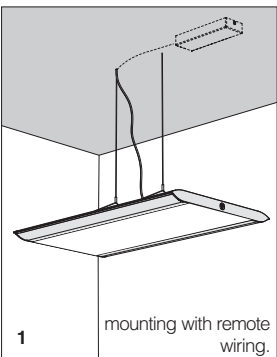
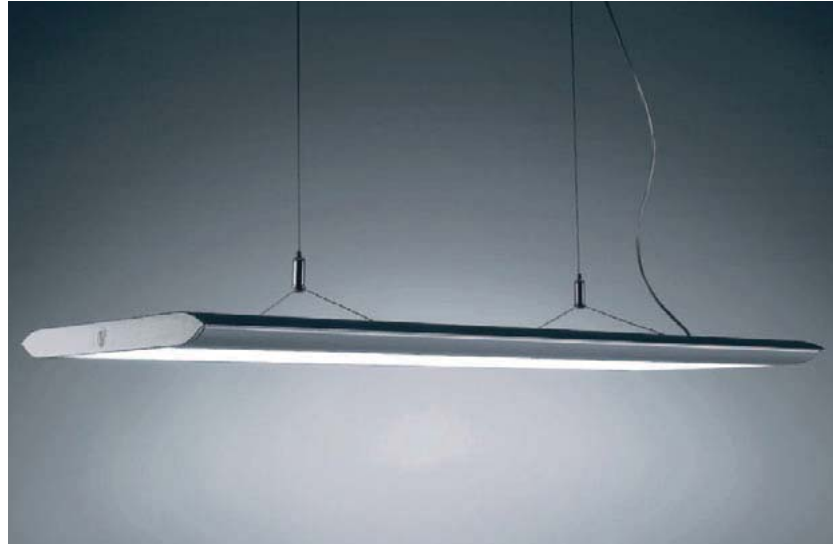
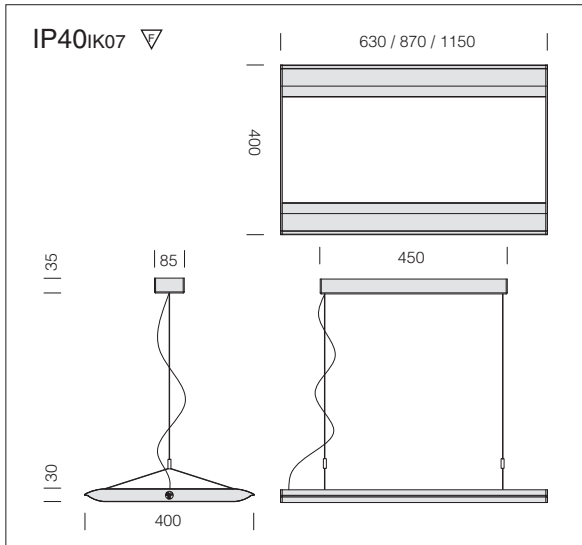


Venere p. 392

LUMINAIRES



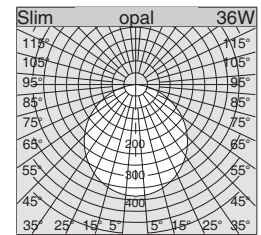




**Slim 1 - Suspended lamp with LEDs with opal shield - 230V**

wattage/W	colour	L (mm)	CLD CELLD-DIG		W tot.	LED (Ta=25°C)
			weight	code		Kelvin - lm - CRI
LED	m. silver	630	2,50	22182970-00	36	4000K - 3900lm - CRI 80
LED	black	630	2,50	22182930-00	36	

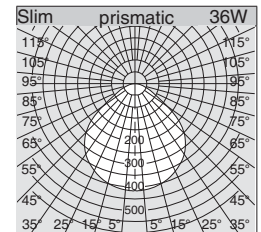
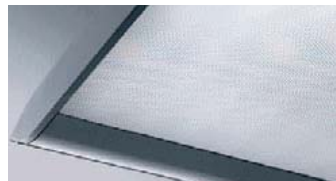
Complete with opal shield.



**Slim 2 - Suspended lamp with LEDs with prismatic shield - 230V**

wattage/W	colour	L (mm)	CLD CELLD-DIG		W tot.	LED (Ta=25°C)
			weight	code		Kelvin - lm - CRI
LED	m. silver	630	2,50	22182771-00	36	4000K - 3900lm - CRI 80
LED	black	630	2,50	22182731-00	36	

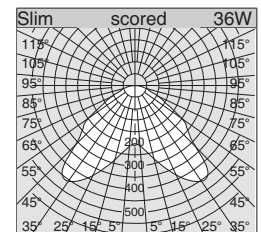
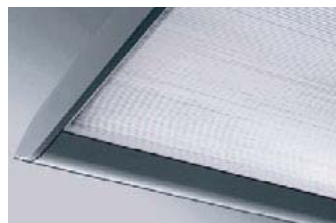
Complete with prismatic shield.



**Slim 3 - Suspended lamp with LEDs with ribbed shield - 230V**

wattage/W	colour	L (mm)	CLD CELLD-DIG		W tot.	LED (Ta=25°C)
			weight	code		Kelvin - lm - CRI
LED	m. silver	868	2,50	22182872-00	36	4000K - 3900lm - CRI 80
LED	black	868	2,50	22182832-00	36	
LED	m. silver	1148	3,00	22182873-00	46	4000K - 5200lm - CRI 80
LED	black	1148	3,00	22182833-00	46	

Complete with ribbed shield.





**Housing:** die-cast aluminium, powder painted using acrylic resin based paint resistant to UV rays. Wall-mounted versions with diffuser positionable at 350°.

**Diffuser:** shockproof, pressed crystal glass. Coloured versions with sand blasted and liquid painted crystal using paints that withstand high temperatures.

**Wiring:** using Teflon wires resistant to high temperatures; network connecting terminals with maximum permitted cross-section of the conductors of 2,5 mm<sup>2</sup>.

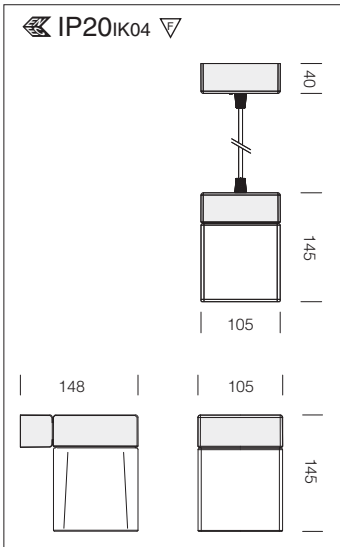
**Standards:** products compliant with applicable CEI 34-21, CEI EN 60598-1, CEI EN 60598-2-1 and CEI EN 60598-2-2 standards.

**On request:** Available in the following colours: Aqua marine, Amber, Light blue, Yellow, Pink, Green, Blue, Black, Grey.



Coloured versions are available on request. LED versions are ideal to create space light and luminous effects in modern surroundings.





ALO...HAGS GU10	EL A2 220V 240V	25°
MASTERLED DR GU10		



Maximum cable length: 1000mm

Cubic - a suspension			
		S	
wattage/W	glass col. + body col.	weight	code
ALO 60	white + silver	2,20	22060413-00
ALO 50	grey + silver	2,20	22060476-00

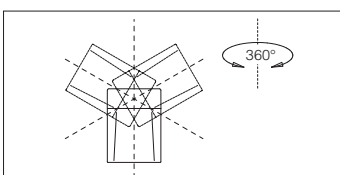
Cubic - suspension with MASTERLED				
		CLD CELL		LED (Ta=25°C)
wattage/W	glass col. + body col.	weight	code	W tot. Kelvin - ølm - degrees
MASTERLED 3W	white + silver	2,20	22060416-00	3 3000K - 850cd - 25°
MASTERLED 5,5W	grey + silver	2,30	22060471-00	5,5 3000K - 1100cd - 25°



Cubic - wall mounted with MASTERLED				
		CLD CELL		LED (Ta=25°C)
wattage/W	colour	weight	code	W tot. Kelvin - cd - degrees
MASTERLED 3W	white + silver	2,00	22060112-00	3 3000K - 850cd - 25°
MASTERLED 5,5W	grey + silver	2,00	22060175-00	5,5 3000K - 1100cd - 25°



Cubic - wall mounted with MASTERLED				
		CLD CELL		LED (Ta=25°C)
wattage/W	colour	weight	code	W tot. Kelvin - cd - degrees
MASTERLED 3W	white + silver	2,20	22060213-00	3 3000K - 850cd - 25°
MASTERLED 5,5W	grey + silver	2,30	22060274-00	5,5 3000K - 1100cd - 25°



Option to rotate the housing.





"Venere" is a large suspension/ceiling lamp made of plastic. Designed for use with new technologies, compact fluorescent lamps, discharge lamps or Power Led lamps.

Available in semi-clear material for interior lighting applications.

"Venere" is an original lighting system that offers different applications, including "chromotherapy".

"Venere" is a highly striking and efficient luminaire that is particularly ideal for use in public places, where next to white light, which is more suitable for use during the day, LED and Power Led RGB lights offer a wide range of colour schemes that create sophisticated atmospheres according to the time of day and night.

**External housing:** in semi-opal polyethylene.

**Internal reflector:** made of V2 shatterproof and self-extinguishing clear polycarbonate, with anti-glare micro frosted finish. Prismatic on the inside for improved light control, UV stabilized. Scratch-resistant coating.

**Equipment:** can be fixed directly onto the ceiling.

**Available on request:** double socket-pin terminal block for dual switching.

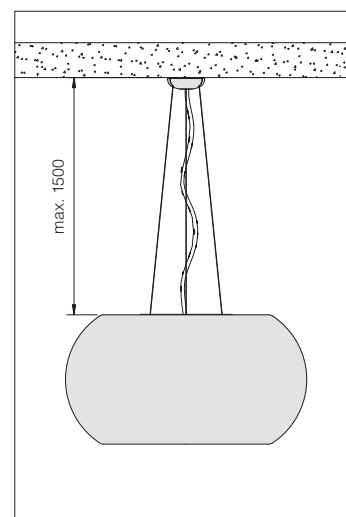
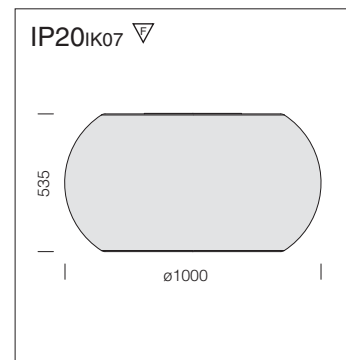


**LED**

**12W dimmable LED Bulb**  
Very well-suited for the general lighting of public and reception spaces, especially lobbies, corridors or stairways, where lights stay on all day.

MASTERLED BULB	ALO
12W	60W
25.000h	1000h

MASTERLED BULB DR E 27



Venere - MASTERLED Bulb + LED white color changing				
		CLD CELL-D		LED (Ta=25°C)
wattage/W	colour	weight	code	Kelvin - ølm - CRI
MASTERLED Bulb 12W + LED white	white	15,00	22212911-00	2700K - 806lm - CRI 80 + 3000K - 4000K - 6000K

Venere - MASTERLED Bulb + LED RGBW				
		CLD CELL-D		LED (Ta=25°C)
wattage/W	colour	weight	code	Kelvin - ølm - CRI
MASTERLED Bulb 12W + LED RGBW	white	14,20	22212910-00	2700K - 806lm - CRI 80



**DMX SYSTEM**

**DMX SYSTEM:** the system allows to control dmx through DOP controller 22090867-00 or management software DMX 22090863-00 an unlimited number of VENERE DMX for changing color of the body diffusing RGB.

With the DMX SYSTEM can be achieved:

- random mixing of colours for more VENERE
- same colour control for more VENERE

**CONTROLLER**

**LED D.O.P 22090867-00**



DMX

V<sub>in</sub> 220/240V  
50-60Hz

V<sub>in</sub> 220/240V  
50-60Hz

V<sub>in</sub> 220/240V  
50-60Hz

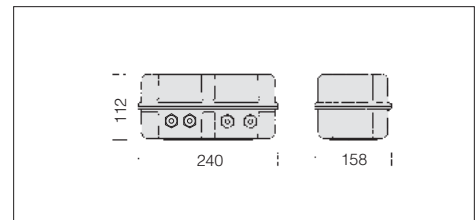
DMX

DMX

**PROGRAMMING SOFTWARE DMX**  
22090863-00



DMX signal regenerator	
20W	22092052-00
DMX signal regenerator with 24V, 20W power supply. Supplied with in-out wire connection (one going in, four going out) to DMX terminal. To be used after acc. 22092051-00 n. 20.	



For control of a large number of luminaires (> 16): code 22092052-00 (amplifier DMX)

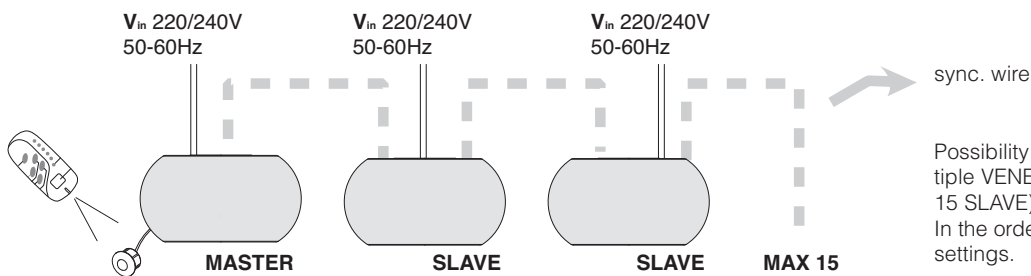
**MASTER/SLAVE**

**FEATURES:**

- standard version included with the program changes color pre-set

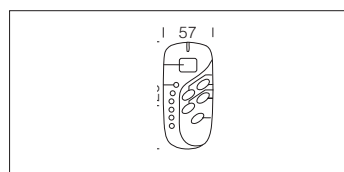
- can mix light colours

Remote control (On-Off function, mixing and colour transition) cod. 22099023-00 et Receiver IRE cod. 22099050-00.

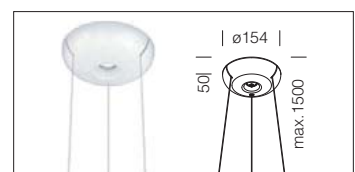


Possibility of synchronization between multiple VENERE mode MASTER / SLAVE (max 15 SLAVE). In the order, specify VENERE with Slave settings.

<b>Remote control for receiver IRE</b>
22099023-00
Control work a distance of up to 10/15 m.
<b>IRE receiver</b>
22099050-00

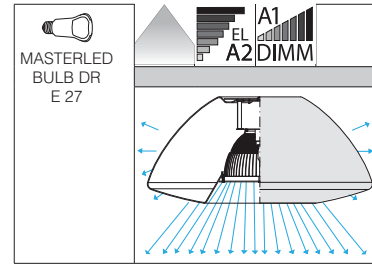
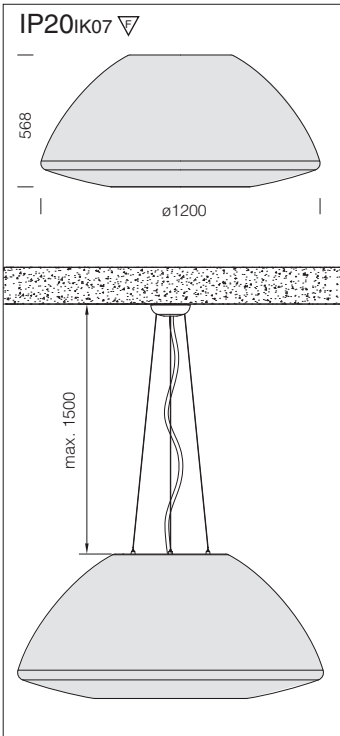


<b>Suspension</b>	
aluminium	22003265-00
With three steel cables.	









**12W dimmable LED Bulb**  
 Very well-suited for the general lighting of public and reception spaces, especially lobbies, corridors or stairways, where lights stay on all day.

MASTERLED BULB	ALO
12W	60W
25.000h	1000h



Minerva - MASTERLED Bulb + LED white color changing				
		CLD CELL-D		LED (Ta=25°C)
wattage/W	colour	weight	code	Kelvin - ølm - CRI
MASTERLED Bulb 12W + LED white	white	15,00	22213011-00	2700K - 806lm - CRI 80 + 3000K - 4000K - 6000K

Minerva - MASTERLED Bulb + LED RGBW				
		CLD CELL-D		LED (Ta=25°C)
wattage/W	colour	weight	code	Kelvin - ølm - CRI
MASTERLED Bulb 12W + LED RGBW	white	14,20	22213010-00	2700K - 806lm - CRI 80

Is a large suspension lamp made of plastic, is an original lighting system that is particularly ideal for where next to white light, which is more suitable for use during the day, LED lights offer a wide range of colour schemes





A series of fixtures for interior wall mounting with energy saving and T5 lamps. Their extremely rapid and easy installation together with their simple yet elegant design, make this series of products ideal for offices, lobbies and open-space areas. Their tasteful design and luminous efficiency create lighting effects full of atmosphere.

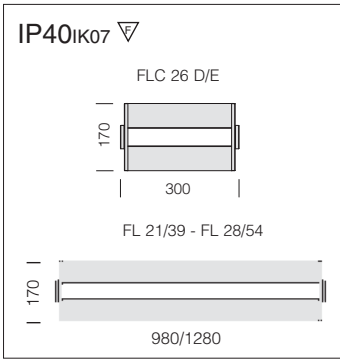
**Housing:** Extruded aluminium.

**Reflector:** Adjustable angle matt opal polycarbonate diffuser.

**Equipment:** Mounting plate separated from the electric gear tray by means of a knife switch for easy installation and maintenance.

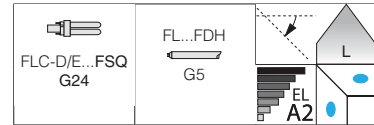
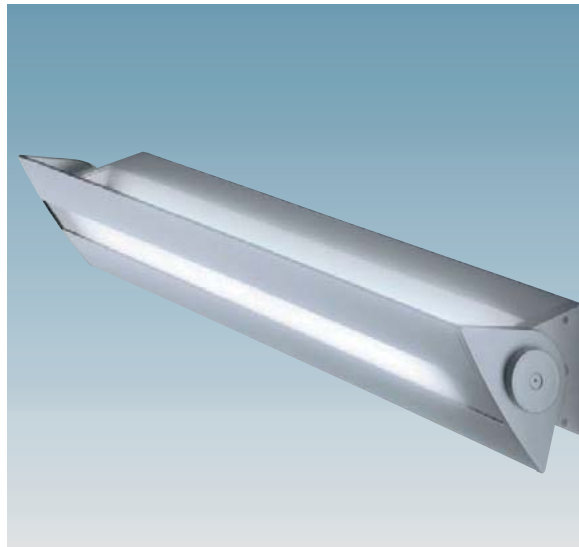
**Emergency versions:** In case of black-out an only connected to emergency network lamp remains lighted on. The autonomy is 60 min.





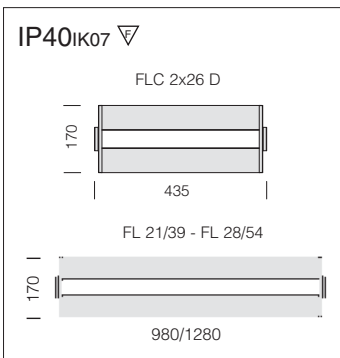
**Reflector:** Adjustable angle matt opal polycarbonate diffuser.

Emergency version (3 hours) on request.



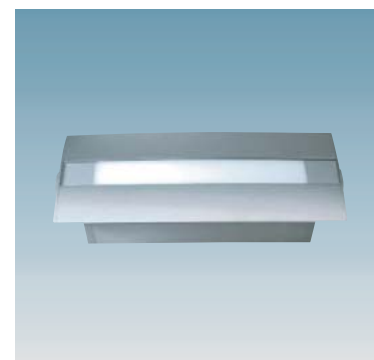
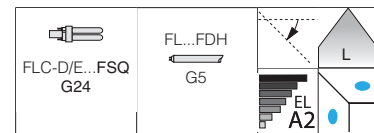
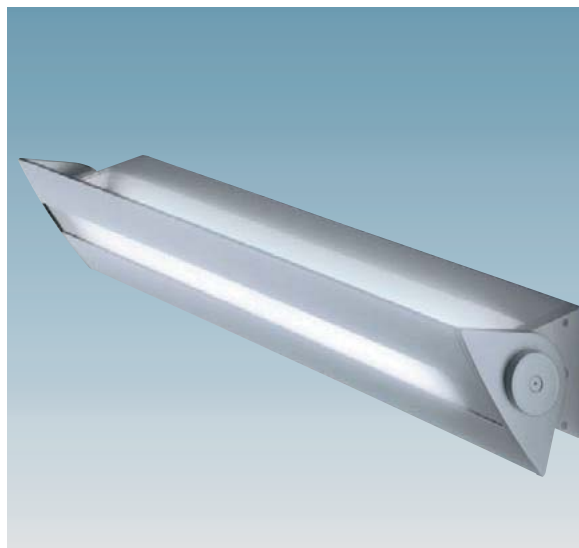
Cover - T5						
		CELL		CELL-E		Lamps (Ta=25°C)
wattage/W	colour	weight	code	weight	code	Kelvin - ølm - Ra
FL 1x21	silver	3.70	22182370-00	4.80	22182370-09	4000K - 1900 lm - Ra 1b (Ta=35°)
FLC-D/E 1x26	silver	3.00	22182378-00			4000K - 1800 lm - Ra 1b
FL 1x25 ECO	silver	4.80	22182371-00	5.90	22182371-09	4000K - 2900 lm - Ra 1b (Ta=35°)
FL 1x34 ECO	silver	3.70	22182372-00	4.80	22182372-09	4000K - 3500 lm - Ra 1b (Ta=35°)
FL 1x50 ECO	silver	4.90	22182373-00	5.90	22182373-09	4000K - 5000 lm - Ra 1b (Ta=35°)

Emergency version: run time 60 min. Also available in the dimmable+emergency version.



**Reflector:** Adjustable angle matt opal polycarbonate diffuser.

Emergency version (3 hours) on request.



Cover - T5 long version - two-lamps						
		CELL		CELL-E		Lamps (Ta=25°C)
wattage/W	colour	weight	code	weight	code	Kelvin - ølm - Ra
FL 2x21	silver	4.00	22182374-00	5.10	22182374-09	4000K - 1900 lm - Ra 1b (Ta=35°)
FLC-D/E 2x26	silver	2.20	22182379-00	3.30	22182379-09	4000K - 1800 lm - Ra 1b
FL 2x25 ECO	silver	5.30	22182375-00	6.40	22182375-09	4000K - 2900 lm - Ra 1b (Ta=35°)
FL 2x34 ECO	silver	4.00	22182376-00	5.10	22182376-09	4000K - 3500 lm - Ra 1b (Ta=35°)
FL 2x50 ECO	silver	4.90	22182377-00	6.00	22182377-09	4000K - 5000 lm - Ra 1b (Ta=35°)

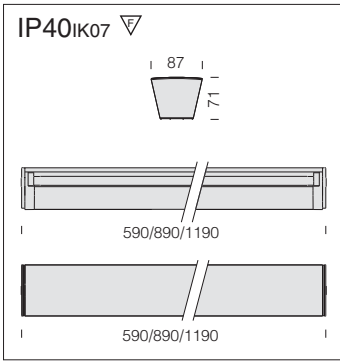
Emergency version: run time 60 min. Also available in the dimmable+emergency version.



Simple shape, precious materials. Single lighting fixture. Its versatility enables multiple applications. Suitable for installation in villas or luxury offices.

**Slimcover:** wall product characterized by luminous effects designed to fade the depth of a room. The light emitted by Slimcover products enables to play with space to create an optical depth which is different from the real dimensions of the space around.





Slimcover Black								
		CELL		CELL-D		CELL-E		Lamps (Ta=35°C)
wattage/W	colour	weight	code	weight	code	weight	code	Kelvin - ølm - Ra
FL 1x13 ECO	black	1.10	22182430-00	1.10	22182430-12			3000K - 1350 lm - Ra 1b
FL 1x21	black	1.70	22182431-00	1.70	22182431-12			3000K - 1900 lm - Ra 1b
FL 1x25 ECO	black	2.40	22182432-00	2.40	22182432-12	3.40	22182432-07	3000K - 2900 lm - Ra 1b
FL 1x34 ECO	black	1.70	22182433-00	1.70	22182433-12			3000K - 3500 lm - Ra 1b
FL 1x50 ECO	black	2.40	22182434-00	2.40	22182434-12	3.40	22182434-07	3000K - 5000 lm - Ra 1b

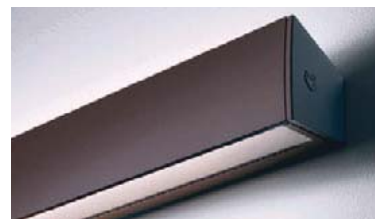
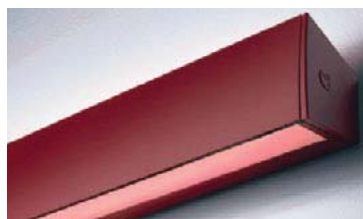
Slimcover White								
		CELL		CELL-D		CELL-E		
wattage/W	colour	weight	code	weight	code	weight	code	
FL 1x13 ECO	white	1.10	22182410-00		22182410-12			
FL 1x21	white	1.70	22182411-00		22182411-12			
FL 1x25 ECO	white	2.40	22182412-00		22182412-12	3.40	22182412-07	
FL 1x34 ECO	white	1.70	22182413-00		22182413-12			
FL 1x50 ECO	white	2.40	22182414-00		22182414-12	3.40	22182414-07	



Slimcover Silver								
		CELL		CELL-D		CELL-E		
wattage/W	colour	weight	code	weight	code	weight	code	
FL 1x13 ECO	m. silver	1.10	22182470-00		22182470-12			
FL 1x21	m. silver	1.70	22182471-00		22182471-12			
FL 1x25 ECO	m. silver	2.40	22182472-00		22182472-12	3.40	22182472-07	
FL 1x34 ECO	m. silver	1.70	22182473-00		22182473-12			
FL 1x50 ECO	m. silver	2.40	22182474-00		22182474-12	3.40	22182474-07	



Available upon request: coloured versions (with a surcharge): Red and Brown.

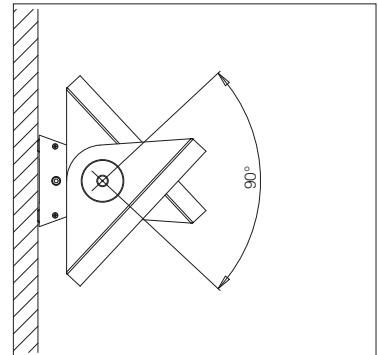
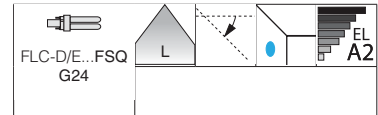
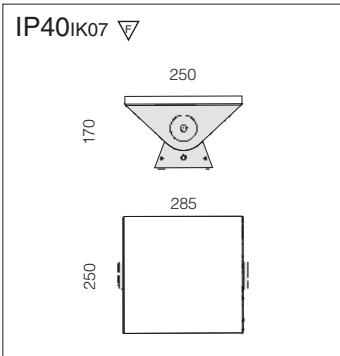
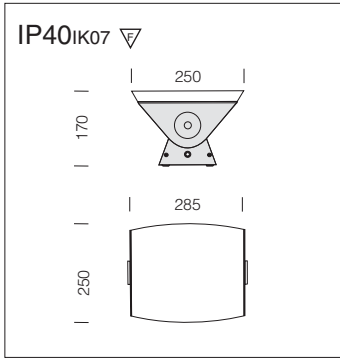




**Reflector:** Adjustable angle matt opal polycarbonate diffuser.

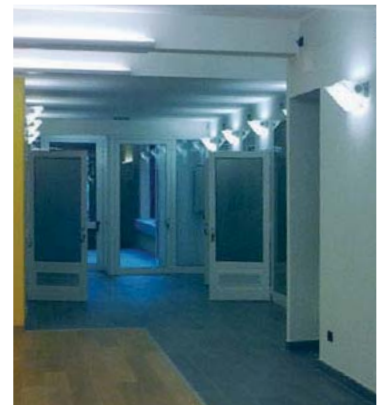
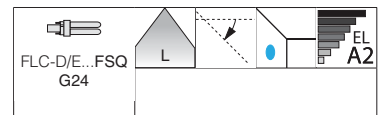
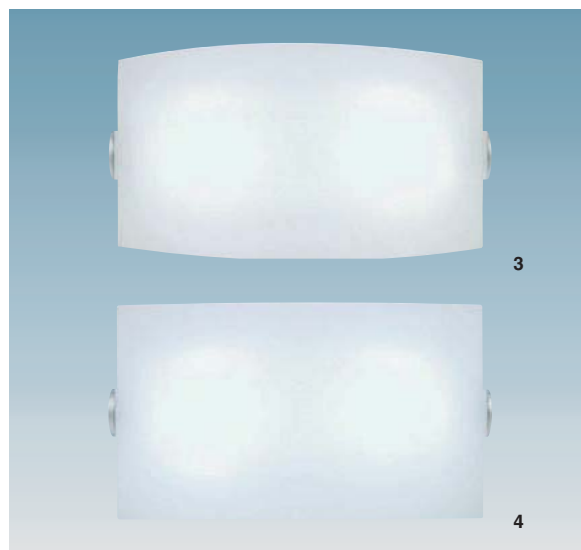
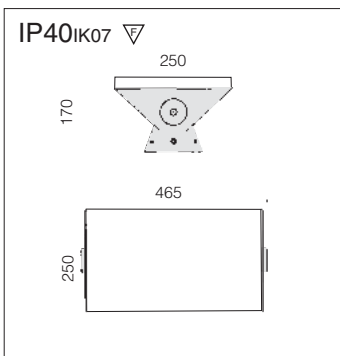
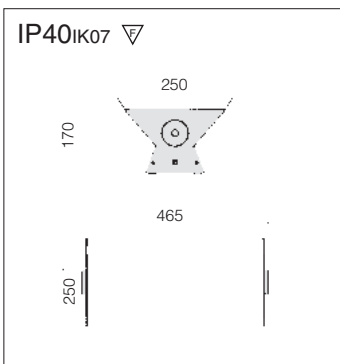
Emergency version (3 hours) on request.

Barcelona Airport "El Prat"



Cover light 1 - round					
		CELL		Lamps (Ta=25°C)	
wattage/W	colour	weight	code	weight	Kelvin - ølm - Ra
FLC-D/E 1x26	white	1.50	22182010-08		3000K - 1800 lm - Ra 1b
FLC-D/E 1x26	silver	1.50	22182070-08		3000K - 1800 lm - Ra 1b

Cover light 2 - square					
		CELL		Lamps (Ta=25°C)	
wattage/W	colour	weight	code	weight	Kelvin - ølm - Ra
FLC-D/E 1x26	white	1.50	22182110-08		4000K - 1800 lm - Ra 1b
FLC-D/E 1x26	silver	1.50	22182171-08		4000K - 1800 lm - Ra 1b

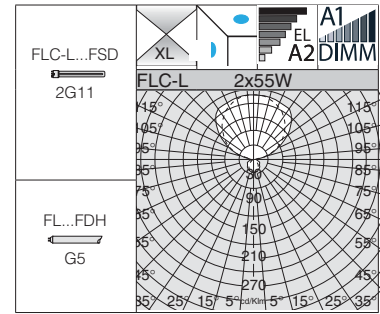
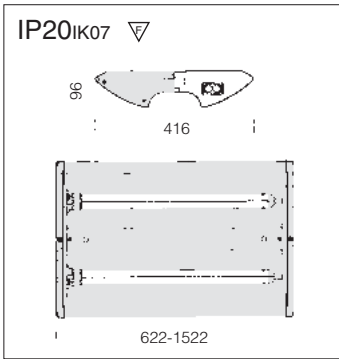


Cover light 3 - long round					
		CELL		CELL-E	Lamps (Ta=25°C)
wattage/W	colour	weight	code	weight	code
FLC-D/E 2x26	silver	1.50	22182272-08	2.10	22182272-09

Cover light 4 - long square					
		CELL		CELL-E	Lamps (Ta=25°C)
wattage/W	colour	weight	code	weight	code
FLC-D/E 2x26	silver	1.50	22182275-08	2.10	22182275-09







**Housing:** Micro-perforated pressed sheet steel. Polycarbonate end caps.

**Diffuser:** Internal plate made of opal polypropylene.

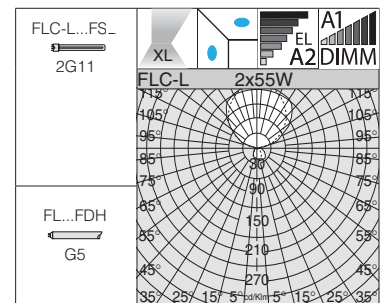
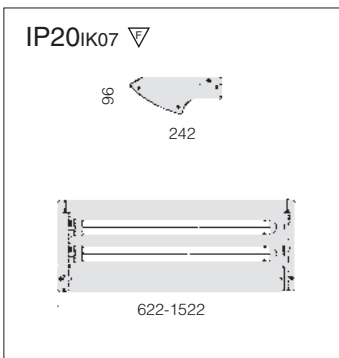
**On request:** with LED tube.



**Soft - suspension**

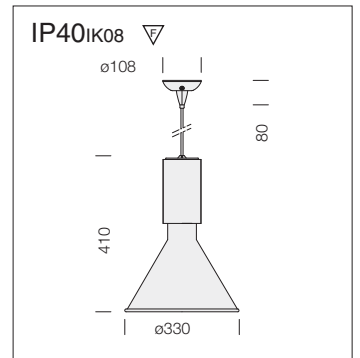
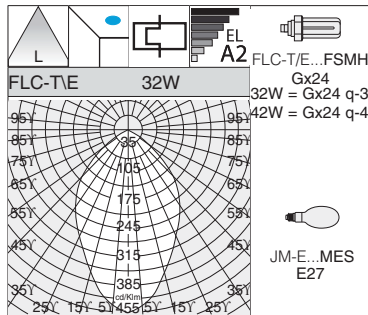
		CELL		CELL-E		CELL-D		Lamps (Ta=25°C)
wattage	colour	weight	code	weight	code	weight	code	Kelvin - ølm - Ra
FLC-L 2x55	m. silver	4,40	22183272-00	5,50	22183272-09	4,50	22183272-12	4000K - 4800 lm - Ra 1b
FL-T5 2x80	m. silver	8,30	22183276-00					4000K - 7000 lm - Ra 1b (Ta=35°)
FLC-L 2x55	white	4,40	22183212-00	5,50	22183212-09	4,50	22183212-12	4000K - 4800 lm - Ra 1b
FL-T5 2x80	white	8,30	22183216-00					4000K - 7000 lm - Ra 1b (Ta=35°)

Suspension cable and ceiling rose included.



**Soft - wall version**

		CELL		CELL-E		CELL-D		Lamps (Ta=25°C)
wattage	colour	weight	code	weight	code	weight	code	Kelvin - ølm - Ra
FLC-L 1x55	m. silver	3,00	22183073-00	4,10	22183073-09	3,10	22183073-12	4000K - 4800 lm - Ra 1b
FLC-L 2x55	m. silver	3,00	22183074-00	4,10	22183074-09	3,10	22183074-12	4000K - 4800 lm - Ra 1b
FL-T5 2x80	m. silver	8,20	22183076-00					4000K - 7000 lm - Ra 1b (Ta=35°)

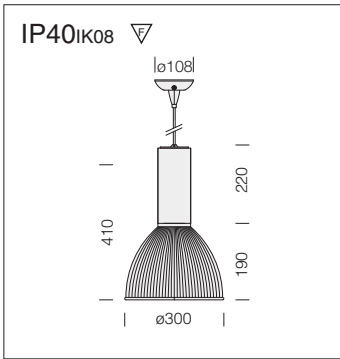


Cable length 5.0m

Diffuser: anodised and polished aluminium.

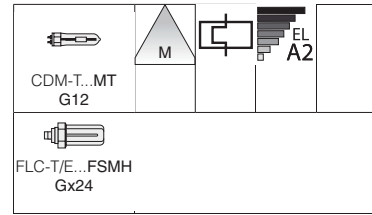
Bell 1C						
		CELL		CELL-E		Lamps (Ta=25°C)
wattage	colour	weight	code	weight	code	Kelvin - ølm - Ra
FLC-T/E 1x32	aluminium	2.90	22221674-00	4.00	22221674-09	3000K - 2400 lm - Ra 1b
FLC-T/E 1x42	aluminium	2.90	22221676-00	4.00	22221676-09	3000K - 3200 lm - Ra 1b
		CELL-D (1-10V)		CELLD-E (1-10V)		Lamps (Ta=25°C)
wattage	colour	weight	code	weight	code	Kelvin - ølm - Ra
FLC-T/E 1x32	aluminium	2.00	22221674-12	4.00	22221674-94	3000K - 2400 lm - Ra 1b
FLC-T/E 1x42	aluminium	2.00	22221676-12	4.00	22221676-94	3000K - 3200 lm - Ra 1b

Bell 3C				
		CELL		Lamps (Ta=25°C)
wattage	colour	weight	code	Kelvin - ølm - Ra
JM-E 70	aluminium	2.90	22221772-00	4200K - 5500 lm - Ra 80



Cable length 5.0m

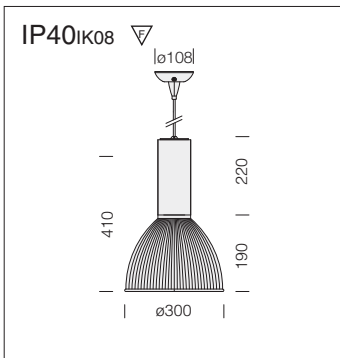
**Diffuser:** in plastic transparent material.



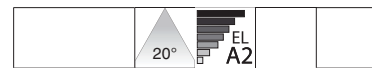
Bell 4 Transparent					
		CELL		Lampes (Ta=25°C)	
wattage/W	colour	weight	code	Kelvin - ølm - Ra	
FLC-T/E 1x42	silver	3.70	22221874-00	3000K - 3200 lm - Ra 1b	
CDM-T 35 Elite	silver	3.20	22221875-00	3000K - 3900 lm - Ra 90	
CDM-T 70	silver	3.30	22221876-00	3000K - 7800 lm - Ra 90	
CDM-T 100	silver	3.30	22221872-00	3000k - 11000 lm - Ra 90	

Bell 4 Transparent RGB					
		CLD CELL		LED (Ta=25°C)	
wattage/W (350mA)	colour	weight	code	W tot.	degrees
LED RGB 6x3,2W	silver	5.00	22221970-00	16	40°

The IR remote control can be purchase separately code 22099020-00  
**Upon request:** white LED color



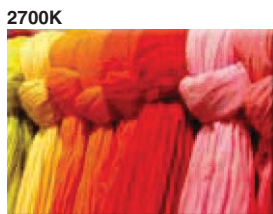
The product has been specifically designed for commercial areas, where the goods displayed change constantly. It comes with LED lights in different shades and variations and 12 colour settings.

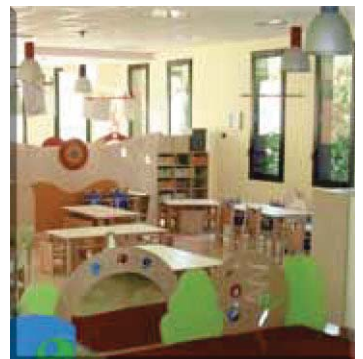


Bell 5 colour temperature - changing TK - AWB					
		CLD CELL		LED	
wattage (350mA)	colour	weight	code	W tot	beam
11LED x 1W	silver	5.00	22221972-00	11	20°

On request: white-changing version (2700 - 3000 - 4000K).

Ability to change (the colour temperature) from 2700K to 5600K





LED DRR  
BULB E27



**Dimmable 12W MASTERLED Bulb**

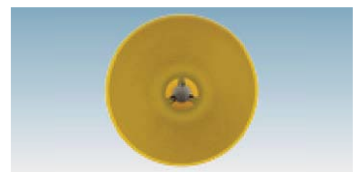
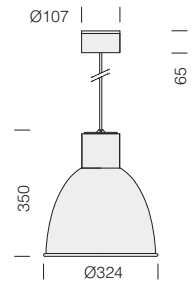
Very well-suited for the general lighting of public and reception spaces, especially lobbies, corridors or stairways, where lights stay on all day.



12W = 60W INC - Duration 25.000h



IP40IK08



Bell - MASTERLED Bulb					
		CLD CELL-D		LED (Ta=25°C)	
wattage/W	colour	weight	code	W tot	Kelvin - ølm - CRI
MASTERLED Bulb 12W	black + gold	3.40	22221934-00	12	2700K - 806lm - CRI80

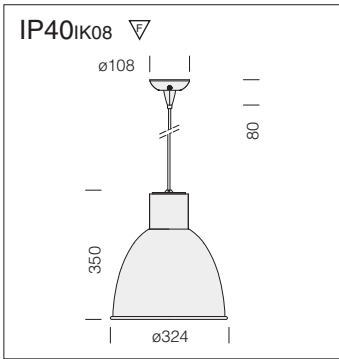
**Housing:** Die-cast aluminium with cooling fins.

**Diffuser:** Turned anodised and polished aluminium.

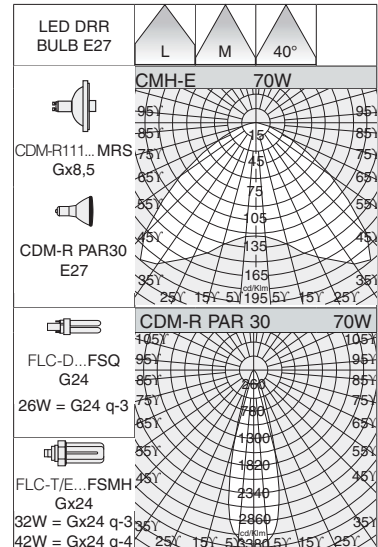
**Coating:** Fluid-coated with a humidity resistant, UV-stabilised acrylic-resin paint.

**Equipment:** cable length 5.0m

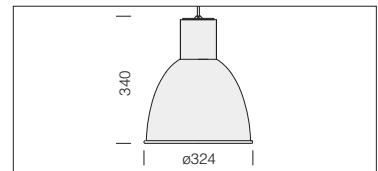
**Other versions:** coloured versions are available on request. There is possibility of max personalization thanks to colour variations which BELL articles offer.



Cable length 5.0m



Bell - MASTERLED Bulb				
		CLD CELL-D		LED (Ta=25°C)
wattage/W	colour	weight	code	W tot
MASTERLED Bulb 12W	alum.	3.40	22221973-00	12
				Kelvin - ølm - CRI - degrees
				2700K-806lm-CRI80-M



Bell 1						
		CELL		CELL-E		Lamps (Ta=25°C)
wattage/W	colour	weight	code	weight	code	Kelvin - ølm - Ra - degrees
FLC-D/E 1x26	alum.	3.10	22221472-00	4.20	22221472-09	3000K-1800lm-Ra1a-L
FLC-T/E 1x32	alum.	3.10	22221474-00	4.20	22221474-09	3000K-2400lm-Ra1a-L
FLC-T/E 1x42	alum.	3.10	22221476-00	4.20	22221476-09	3000K-3200lm-Ra1a-L



Bell 1 DIMM						
		CELL-D (1-10V)		CELL-E (1-10V)		Lamps (Ta=25°C)
wattage/W	colour	weight	code	weight	code	Kelvin - ølm - Ra - degrees
FLC-D/E 1x26	alum.	3.20	22221472-12	4.20	22221472-94	3000K-1800lm-Ra1a-L
FLC-T/E 1x32	alum.	3.20	22221474-12	4.20	22221474-94	3000K-2400lm-Ra1a-L
FLC-T/E 1x42	alum.	3.20	22221476-12	4.20	22221476-94	3000K-3200lm-Ra1a-L



Bell 2				
		CELL		Lamps (Ta=25°C)
wattage/W	colour	weight	code	Kelvin - cd - Ra - degrees
CDM-R-PAR30/70	alum.	3.40	22221571-00	3000K-4000cd-Ra84-M

Beam aperture 24°. Narrower beams are available upon request.



Bell 3				
		CELL		Lamps (Ta=25°C)
wattage/W	colour	weight	code	Kelvin - ølm - Ra - degrees
CMH-E 70	alum.	3.30	22221572-00	4200K- 5500lm-Ra2a-L
CDM-R111/70	alum.	3.30	22221573-00	3000K-15000cd-Ra83-40

On request: possibility of painting of the inner part of the reflector. CMH-E 70 version is supplied with protective lamp for open fixture use.



Bell 3 - POWER LED				
		CLD CELL		LED (Ta=25°C)
wattage/W (350 mA)	colour	weight	code	ølm
LED RGB 6x3,2W	alum.	3.50	22221971-00	R30 - G40 - B9 lm

Cable length 5.0m. Complete with 6 led RGB modules of 3,2W each, and IR sensor for colour changing control. It is acquired separately, remote control code 22099022-00.



Special versions with various colour choices. Prices on request.



In large areas and shopping centres, light should be agreeable to the eye, and enhance the characteristics of the products on display.

**Housing:** Die-cast aluminium with cooling fins.

**Coating:** Fluid-coated with a humidity resistant, UV-stabilised acrylic-resin paint.

**Regulations:** Manufactured in accordance with standards EN60598 – CEI 34 –21. Degree of protection in accordance with standards EN60529.

**Lamps:** Supplied with discharge lamps (protected open fixture use lamp for Compendio G ), and compact fluorescent lamps

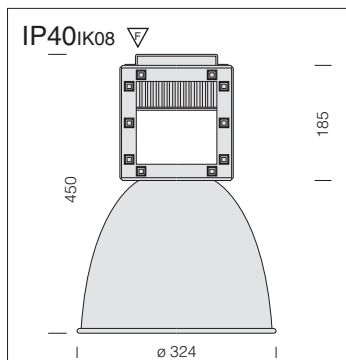


**Dimmable 12W MASTERLED Bulb**

Very well-suited for the general lighting of public and reception spaces, especially lobbies, corridors or stairways, where lights stay on all day.



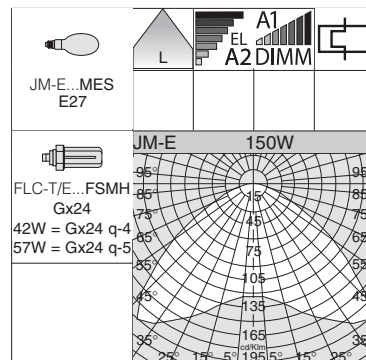
12W = 60W INC - Duration 25.000h



Cable length 5.0m

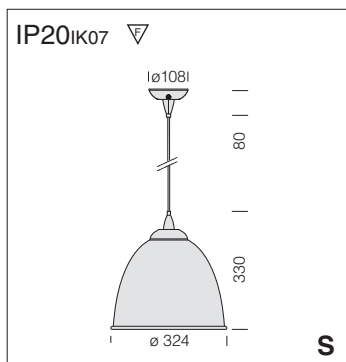
**Diffuser:** Metallized inside and painted outside.

**Lamps:** Supplied with discharge lamps (protected open fixture use lamp)

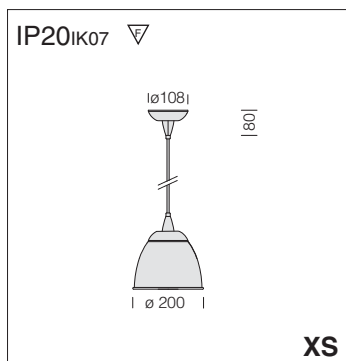


Compendio A						
		CELL		CELL-D		Lamps (Ta=25°C)
wattage/W	colour	weight	code	weight	code	Kelvin - ølm - Ra
JM-E 150	m. silver	6.00	22221373-00			3000K - 12900 lm - Ra70
FLC-T/E 1x42	m. silver	4.00	22221374-00	5.00	22221374-12	3000K - 3200 lm - Ra 1a
FLC-T/E 1x57	m. silver	4.50	22221375-00			3000K - 4300 lm - Ra 1a

Electronic version is to be used for improved visual comfort.



S

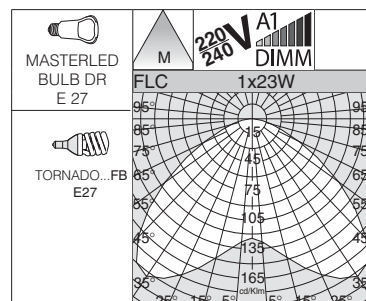


XS

Cable length 1,4m max.

**Diffuser:** Metallized inside and painted outside.

With base.

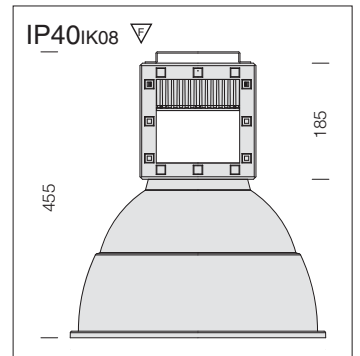
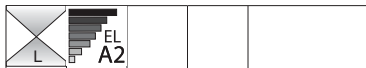


LED

Compendio S - MASTERLED Bulb					
		CLD CELL-D		W tot	LED (Ta=25°C)
wattage/W	colour	weight	code		Kelvin - ølm - CRI
MASTERLED Bulb 12W	m. silver	3.40	22221370-00	12	2700K - 806lm - CRI80

Compendio S - 220-240V			
S			
wattage/W	colour	weight	code
FLC-EL 23	m. silver	2.00	22221376-00
S+L			
FLC-EL 32	m. silver	2.50	22221372-00

Compendio XS - 220-240V			
S			
wattage/W	color	weight	code
FLC-EL max15	m. silver	1.00	22221371-00

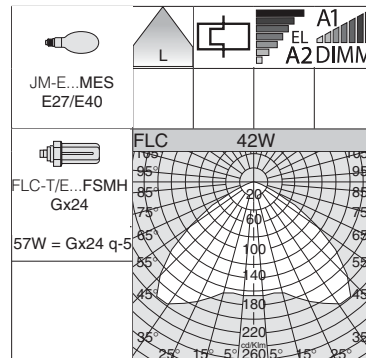
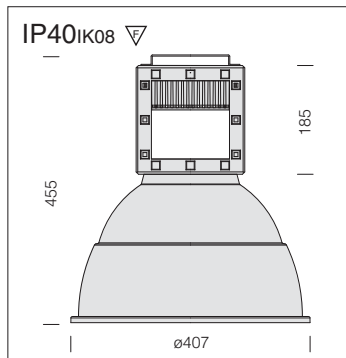


Cable length 5.0m

**Diffuser:** clear polycarbonate with a silk finish, metallized inside and painted outside (half reflector only).

Compendio G1 - Fortimo SLM 2000				
		CLD CELL		LED (Ta=25°C)
wattage/W (700mA)	colour	weight	code	W tot. Kelvin - 700mA - CRI
SLM 2000 19W	m. silver	6,00	22221274-00	22 3000K - 2000lm - CRI85
Version for project. also 3000lm				





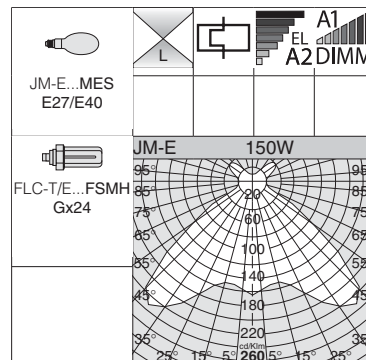
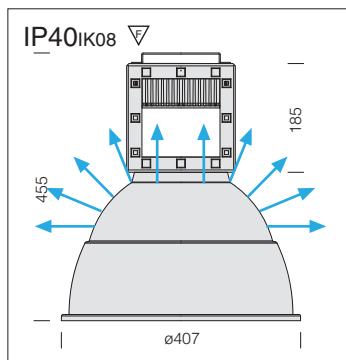
Cable length 5.0m

**Diffuser:** clear polycarbonate with a silk finish, metallized inside and painted outside.

**Lamps:** Supplied with discharge lamps (protected open fixture use lamp)

Compendio G						
		CELL		CELL-D		Lamps (Ta=25°C)
wattage	colour	weight	code	weight	code	Kelvin - ølm - Ra
JM-E 150	m. silver	6.00	22221271-00			3000K - 12900 lm
FLC-T/E 1x42	m. silver	4.00	22221272-00	5.00	22221272-12	3000K - 3200 lm - Ra 1b
FLC-T/E 1x57	m. silver	4.50	22221273-00			3000K - 4300 lm - Ra 1b

Electronic version is to be used for improved visual comfort.



Cable length 5.0m

**Diffuser:** clear polycarbonate with a silk finish, metallized inside and painted outside (half reflector only).

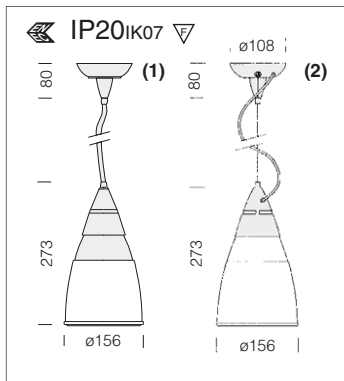
**Lamps:** Supplied with discharge lamps (protected open fixture use lamp)

Compendio G1 - dir/ind. light						
		CELL		CELL-D		Lamps (Ta=25°C)
wattage	colour	weight	code	weight	code	Kelvin - ølm - Ra
JM-E 150	m. silver	6.00	22221275-00			3000K - 12900 lm
FLC-T/E 1x42	m. silver	4.00	22221276-00	5.00	22221276-12	3000K - 3200 lm - Ra 1b
FLC-T/E 1x57	m. silver	4.50	22221277-00			3000K - 4300 lm - Ra 1b

Electronic version is to be used for improved visual comfort.







FLC-EL...FBT E27	220V 240V	A2
DR MASTERLED GU10	FLC 23 W	
MASTERLED BULB DR E 27		



LED

Argostar 1 - suspension with wire						
		CLD CELL		CLD CELL		LED (Ta=25°C)
wattage/W	colour	weight	code	weight	code	Kelvin - ølm/cd - CRI - degrees
MASTERLED 3W	m. silv.	0,80	22070077-00			3000K-550cd-25°
MASTERLED 7W	m. silv.	0,80	22070078-00			3000K-4000h-1400cd-CRI80-25°
MASTERLED Bulb 12W	m. silv.			0,80	22070070-00	2700K-806lm-CRI>80-60°

Without coloured ring. With wire L = 1.50 m.

**Dimmable 12W MASTERLED Bulb**  
Very well-suited for the general lighting of public and reception spaces, especially lobbies, corridors or stairways, where lights stay on all day.

Argostar 1 - suspension with wire			
		S	
wattage/W	colour	weight	code
FLC-EL max23	m. silv.	0,80	22070072-00

Without coloured ring. With wire L = 1.50 m.



Argostar 2 - suspension with wire			
		CNL Version 230V	Lamps (Ta=25°C)
wattage/W	colour	code	Kelvin - ølm - Ra
ALO 50	m. silv.	22070074-00	3000K - 950cd - 1b

Without coloured ring. With wire L = 1.50 m.



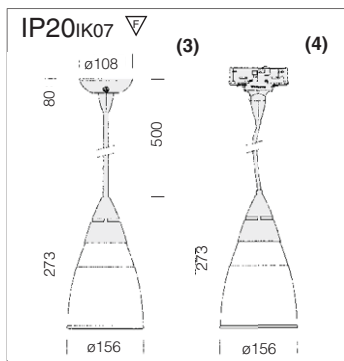
Argostar 2 - suspension with wire			
		S	
wattage/W	colour	weight	code
FLC-EL max23	m. silv.	0,80	22070073-00

Without coloured ring. With wire L = 1.50 m.  
Version equipped with a 230V lamp, mains voltage operated without transformer.



Argostar 3 - with rods			
		S	
wattage/W	colour	weight	code
FLC-EL max23	m. silv.	1,00	22070071-00

Without coloured ring. With wire L = 1.50 m.



Argostar 4 - suspension omnitrack			
		S	
wattage/W	colour	weight	code
FLC-EL max23	m. silv.	0,70	22070174-00

Without coloured ring. With wire L = 1.50 m.





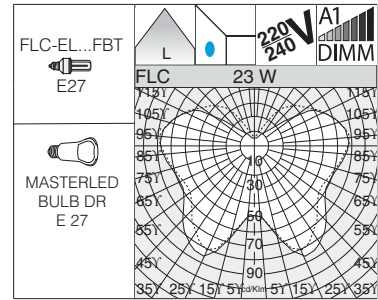
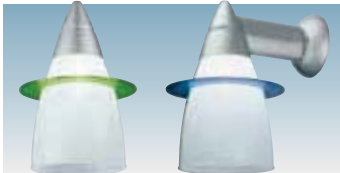
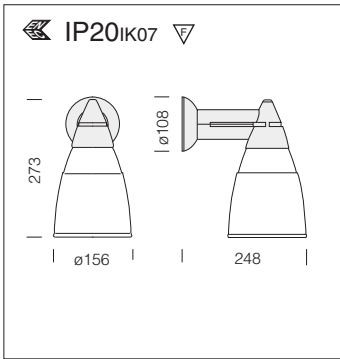
**Housing:** High-temperature resistant thermoplastic material. Supplied with a sphere-opal polycarbonate cone diffuser.

**Lampholder:** Polycarbonate with phosphorous bronze contacts.

**Electric gear:** 230V-50Hz power supply 0.75 sqmm cross section 2-pole wire 2P terminal block (maximum allowed lead cross section 2.5 mm<sup>2</sup>).

**Regulations:** Manufactured in accordance with EN 60598-CEI 34-21 standards. Degree of protection in accordance with EN 60529 standards.

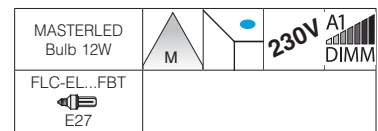
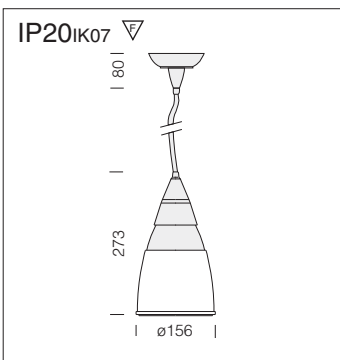
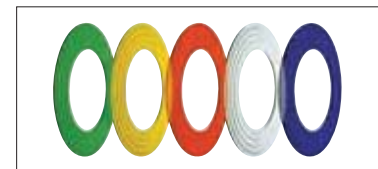




Argostar wall version					
		CLD CELL-D		LED (Ta=25°C)	
wattage	colour	weight	code	W tot	Kelvin - ølm - CRI
<b>MASTERLED Bulb 12W</b>	m. silver	0,60	220 <b>40275</b> -00	<b>12</b>	2700K - 806lm - CRI 80
Without coloured ring.					

Coloured finishing	
white	220 <b>91811</b> -00
red	220 <b>91822</b> -00
green	220 <b>91843</b> -00
yellow	220 <b>91854</b> -00
blue	220 <b>91885</b> -00

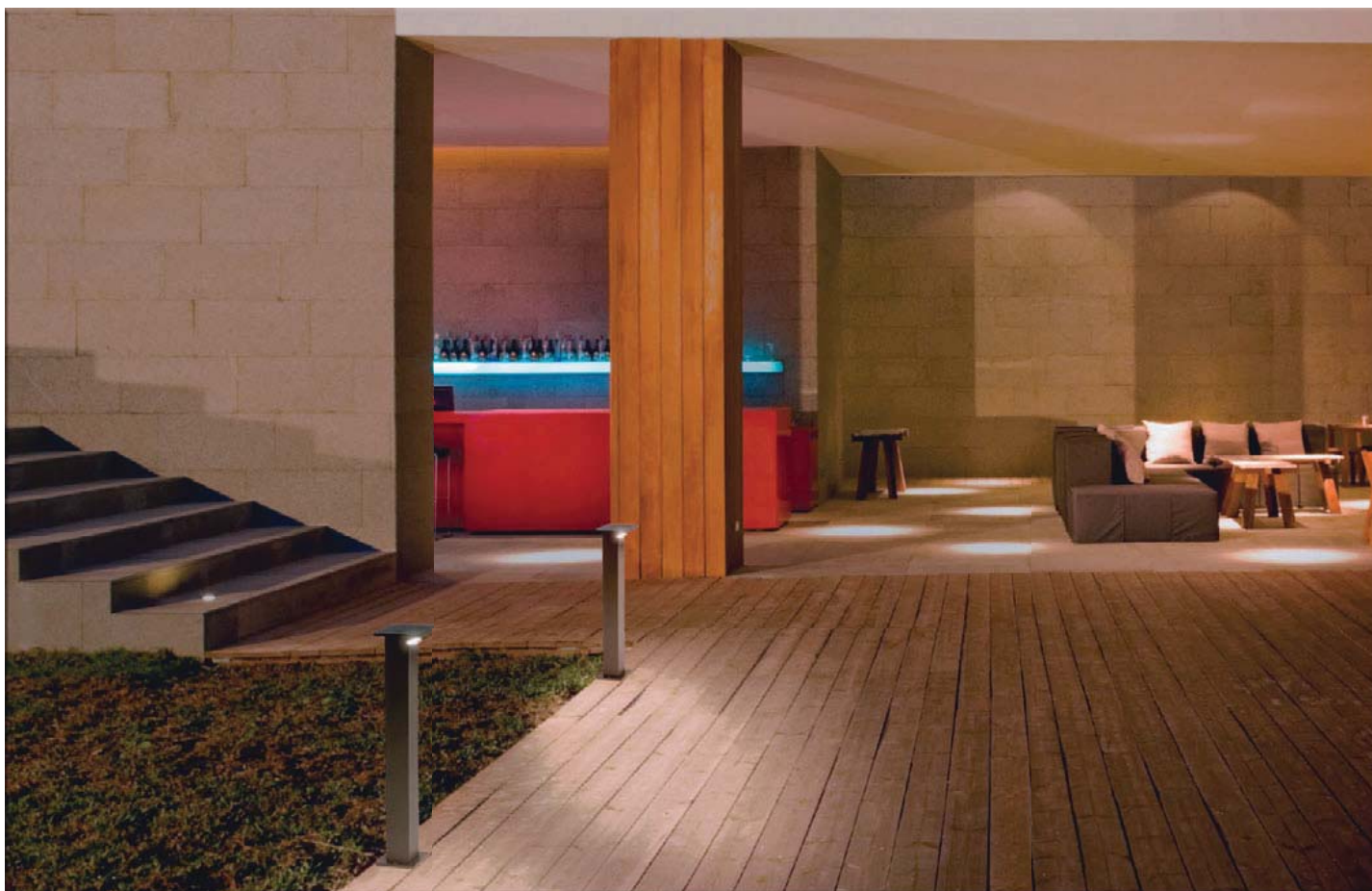
Coloured finishing ring to be fitted to the opal cone. To be used only when the reflector is oriented downwards.



**Dimmable 12W MASTERLED Bulb**  
 Very well-suited for the general lighting of public and reception spaces, especially lobbies, corridors or stairways, where lights stay on all day.

Minighost - MASTERLED Bulb					
		CLD CELL-D		LED (Ta=25°C)	
wattage/W	colour	weight	code	W tot	Kelvin - ølm - CRI
<b>MASTERLED Bulb 12W</b>	m. silver	3.40	220 <b>70079</b> -00	<b>12</b>	2700K - 806lm - CRI 80

Minighost			
		S	
wattage	colour	weight	code
<b>FLC 23L</b>	m. silver	0,90	220 <b>70076</b> -00



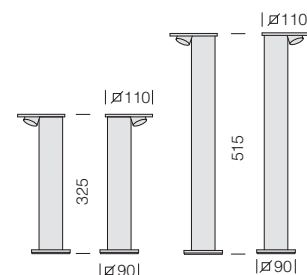
LED  
COB



LED



IP65IK08



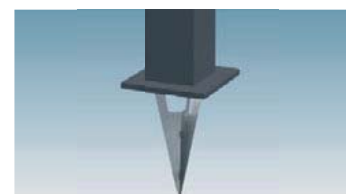
Lights distributed along transit corridors transform and enhance homes. These small columns illuminate walkways making them more inviting.

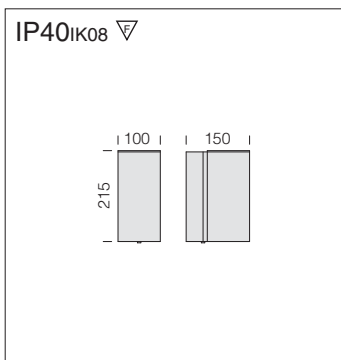
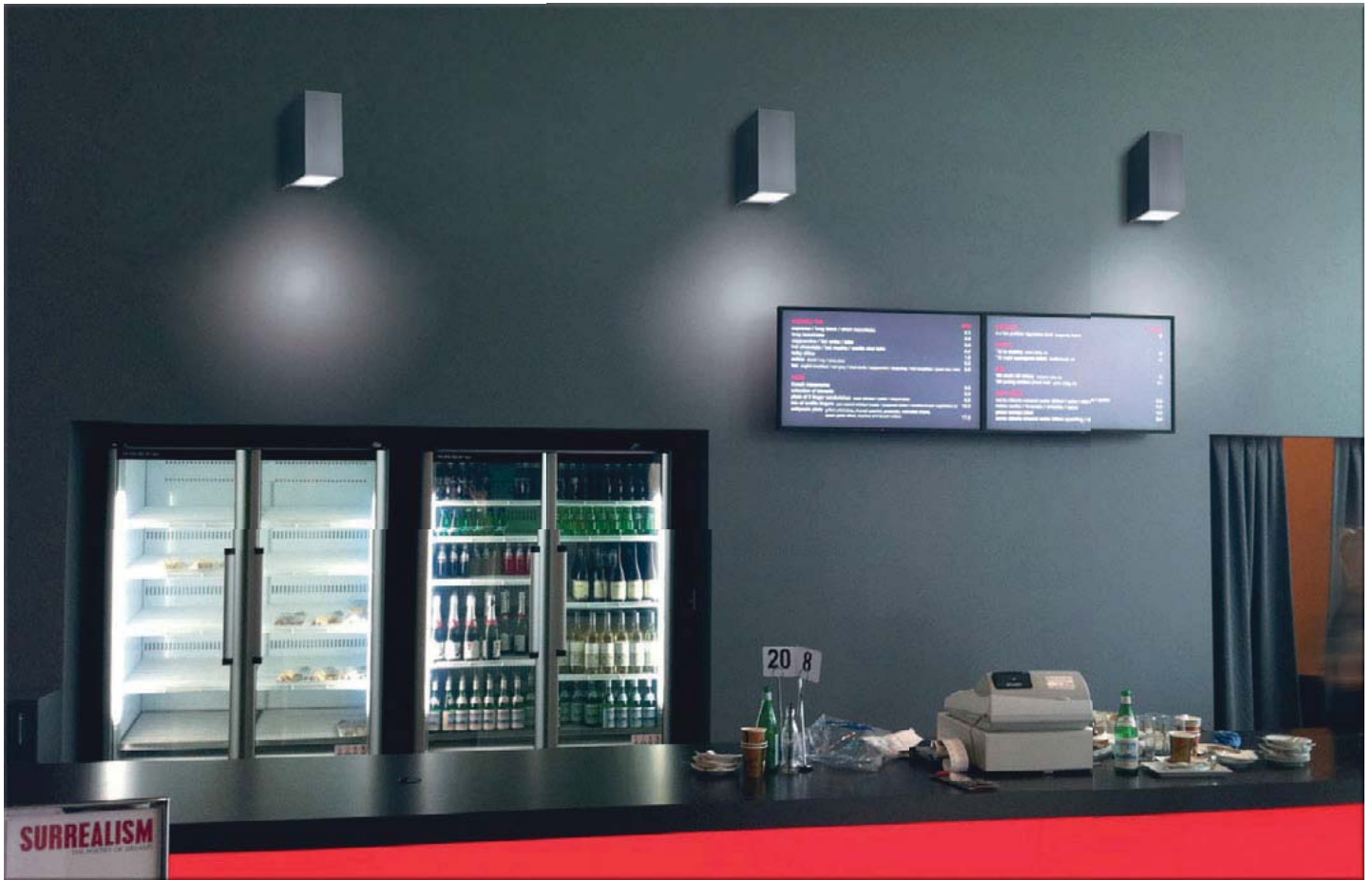
**Housing:** in die-cast aluminium.



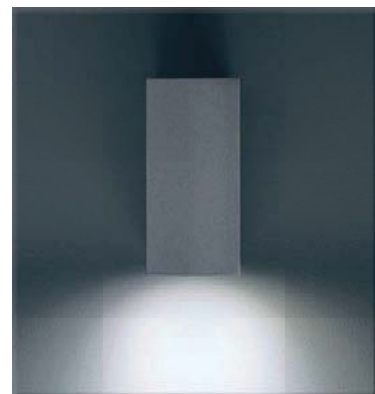
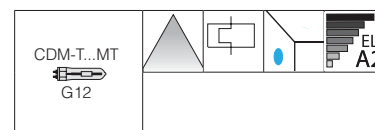
Eolo						
		CLD CELL				LED (Ta=25°C)
wattage/W (350mA)	colour	weight	h	code	W tot	Kelvin - ølm - CRI
LED white	anthracite	0,80	325	22053070-00	4	3000K - 210m - CRI 80
LED white	anthracite	1,00	515	22053071-00	4	3000K - 210lm - CRI 80

Spike	
steel	22002402-00
For planting into the ground	





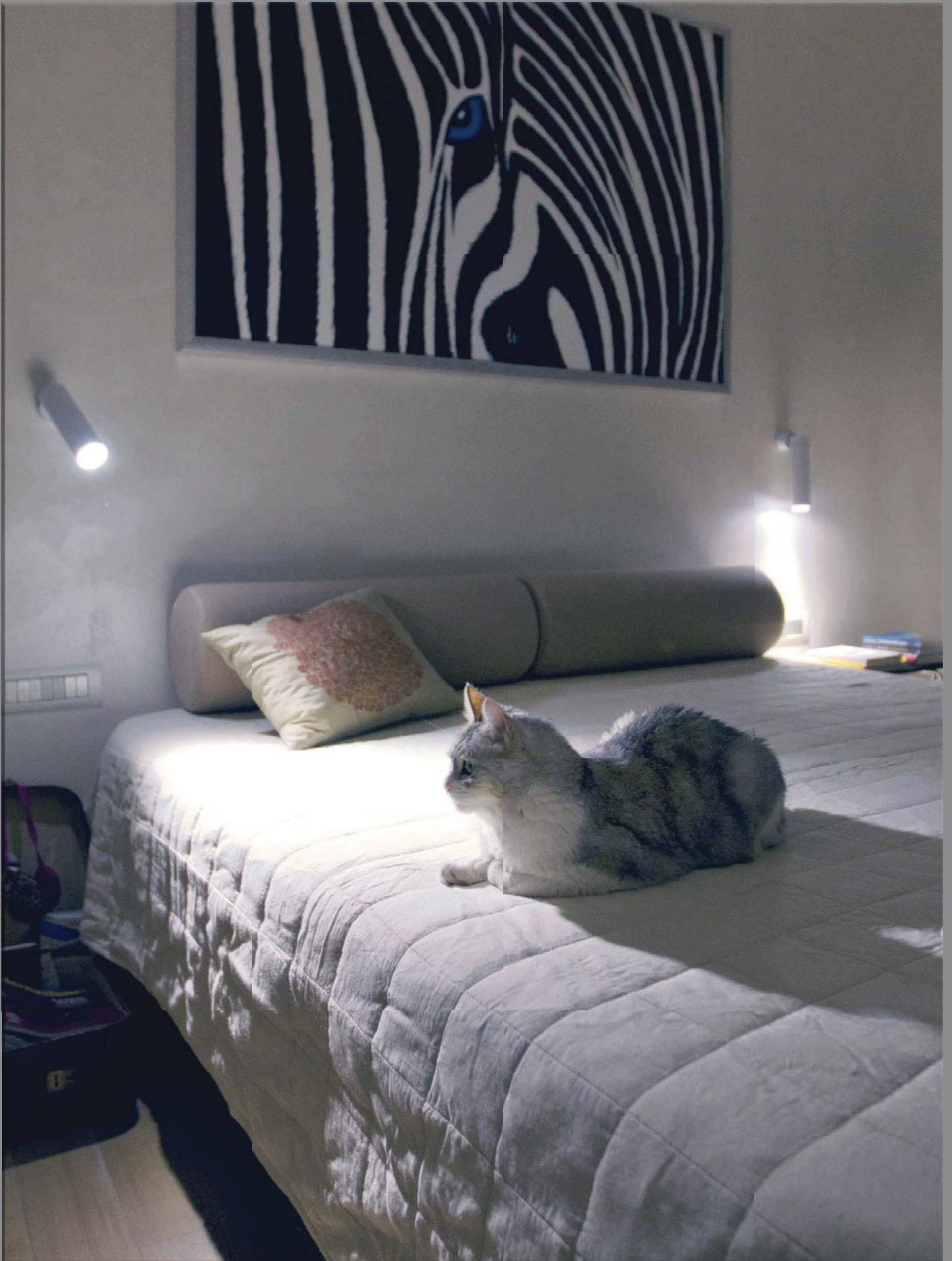
**Housing:** in die-cast aluminium  
**Coating:** acrylic resin, UV-stabilised and high resistance to humidity



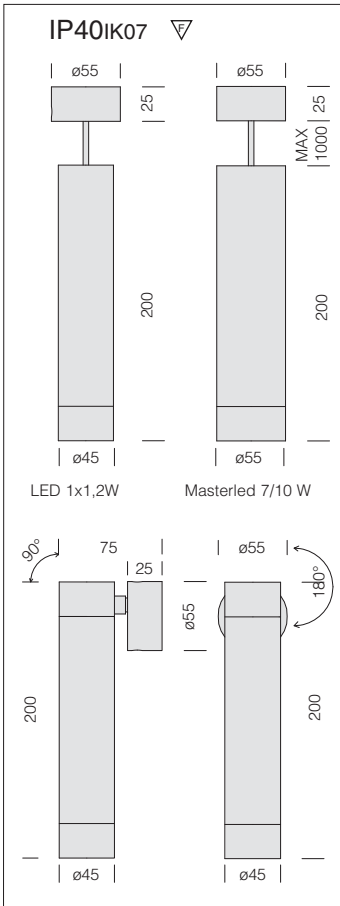
LUMINAIRES

**CDM Elite Lamps:** suitable for shopping centres, ideal for enhancing the goods displayed.  
 - Maintenance cost reduction  
 - 10% increase in energy efficiency in contrast with traditional lamps  
 - Excellent color rendering (Ra 90)  
 - Improved light levels (twice as powerful)

Indoor				
		CELL		LED (Ta=25°C)
wattage/W	colour	weight	code	Kelvin - ølm - Ra
CDM-T Elite 35	silver	1,50	22089860-00	3000K - 3400lm - Ra 90







**Housing:** in treated aluminium.  
**Upon request:** in other colours.

LED 1x1,2W    MASTERLED 7/10 W    LED 1x1,2W    MASTERLED 7/10 W

Stilo LED PA2 - adjustable base				
		CLD CTL		LED (Ta=25°C)
wattage/W (700mA)	colour	weight	code	W tot
MASTERLED 7W	white	2,00	22041512-00	8
MASTERLED 7W	nat. oxi al.	2,00	22041561-00	8
MASTERLED 10W	white	2,00	22041513-00	11
MASTERLED 10W	nat. oxi al.	2,00	22041563-00	11

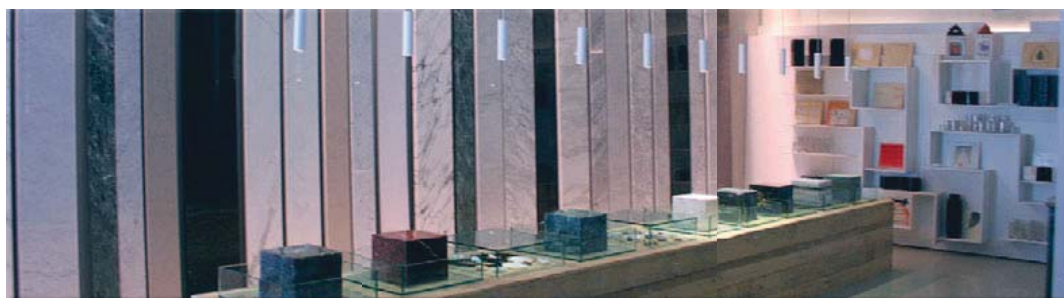
Power supply integrated, available with beam lens angle: 10°, 25° and 40°.

Stilo LED SP1 - suspension				
		CLD CTL		LED (Ta=25°C)
wattage/W (350mA)	colour	weight	code	W tot
LED 1x1,2W	white	2,00	22041610-00	1,2
LED 1x1,2W	nat. oxi al.	2,00	22041660-00	1,2

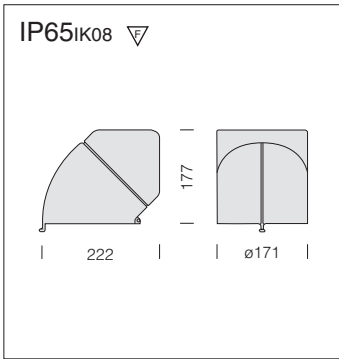
Power supply integrated, available with beam lens angle: 10°, 25° and 40°.

Stilo LED SP2 - suspension				
		CLD CTL		LED (Ta=25°C)
wattage/W (700mA)	colour	weight	code	W tot
MASTERLED 7W	white	2,00	22041613-00	8
MASTERLED 7W	nat. oxi al.	2,00	22041663-00	8
MASTERLED 10W	white	2,00	22041614-00	11
MASTERLED 10W	nat. oxi al.	2,00	22041664-00	11

Power supply integrated, available with beam lens angle: 10°, 25° and 40°.







King: wall-mounted floodlight designed to fulfil specific lighting requirements in areas that necessitate high protection levels.

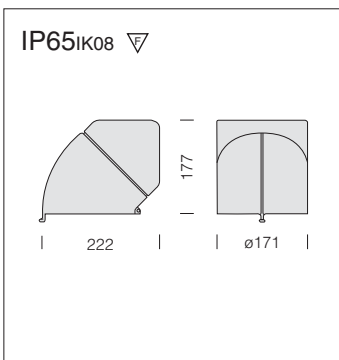
**Housing:** in die-cast aluminium.

**Reflector:** high-efficiency anodised and polished aluminium.

**Diffuser:** tempered protective glass.



King wall version					
		CNRL		Lamps (Ta=25°C)	
wattage	colour	weight	code	Kelvin - h - ølm - Ra	
FLC-D 13	white	1,80	22049418-00	3000K - 900 lm - Ra 1b	
FLC-D 13	silver	1,80	22049472-00		
ALO 70 ECO	white	2,60	22049419-00	3000K - 1180 lm - 2000 h	
ALO 70 ECO	silver	2,60	22049473-00		



**Coating:** Fluid-coated with a humidity resistant, UV-stabilised acrylic-resin paint.

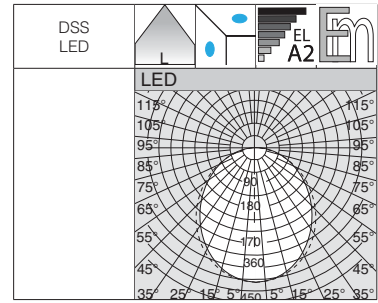
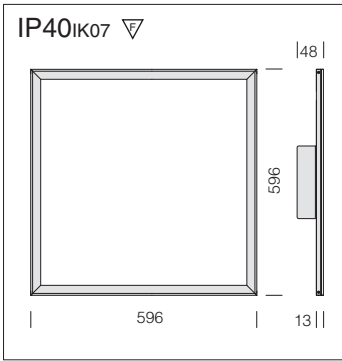
**LED:** high efficiency Esaled type, with heat sink, longer working life, CRI 80 index.



King ESALED					
		CLD CELL			LED (Ta=25°C)
wattage/W (700mA)	colour	weight	code	W tot.	Kelvin - ølm 700mA - degress
ESALED 13W	m. silver	3,00	22049417-00	14	4000K - 1400lm - 25°







Pannello luminoso was designed to ensure versatility and energy-efficiency: thanks to the use of LED technology, it can contain consumption and be installed in small spaces, hence saving resources.

Simple and elegant, it uses neutral colours such as white, and grey. Pannello Luminoso is suited to be mounted in false-ceilings with 600x600 mm panels and to replace the luminaires in existing systems or in suspension lamps.

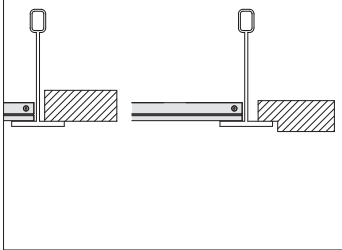
LED

**Pannello luminoso - LED**

wattage/W (42V)	colour	CLD CELL		CLD CELL-D (1-10V)	CLD CELL-E	W tot	LED (Ta=25°C)
		weight	code	code	code		Kelvin - ølm - CRI
LED	white	4,40	22184371-00	22184371-12	22184371-09	39	4000K - 3400lm - CRI80
LED	white	4,40	22184373-00	22184373-12	22184373-09	39	3000K - 3300lm - CRI85

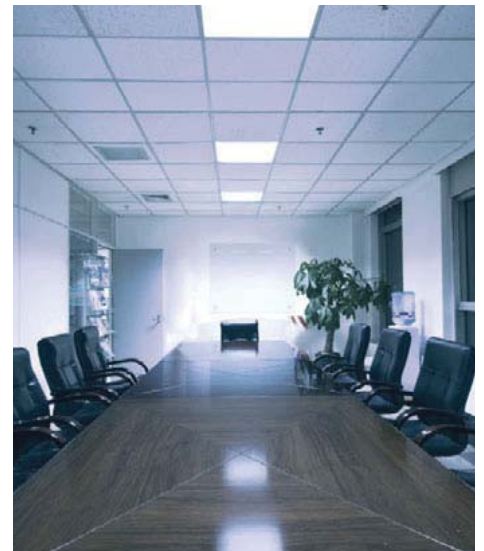
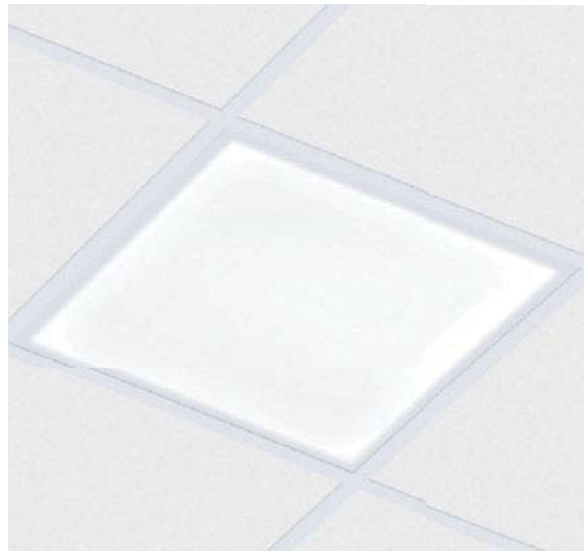
Also available as a dimmable DALI version

Surface mounting in false-ceilings with panels, module 600 mm

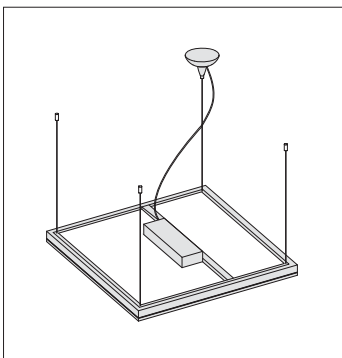


Available for recessed or suspended installation.

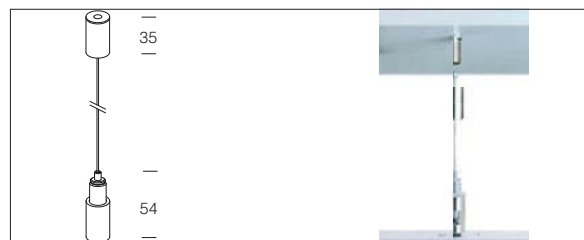
**On request:** 296 x 1196 version.



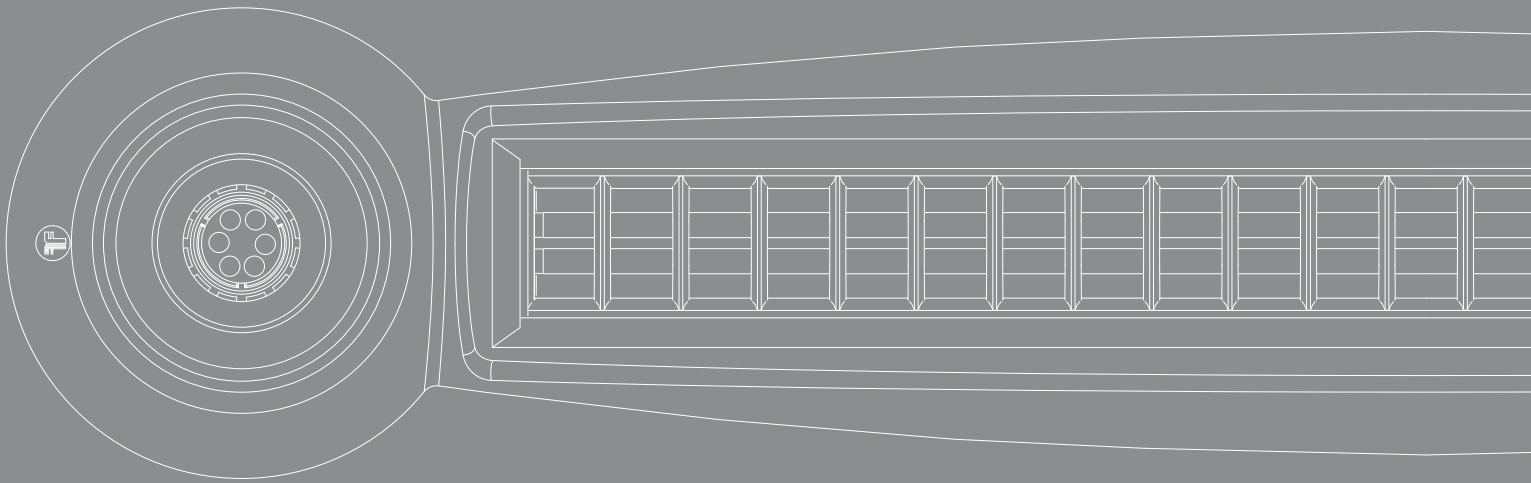
LUMINAIRES



Simple suspension	
nickel	22004166-00
Supplied with steel wire (l=1,75m) and millimetre adjustment device.	
Max load: 20 kg.	







**Outer casing:** made of plastic material, available in different colours, including semi-transparent shades for the LED and LED RGB versions.

**Inner casing:** in sheet steel, 6/10 thick, white polyester powder coating, UV stabilized. Metal silver outer edge.

**Optics:** Dark light double parabolic louvres, lengthwise and crosswise in high-reflection aluminium, anti-reflection and anti-iridescence multi layer PVD treatment, very low luminance.

**Lampholder:** In polycarbonate, with phosphor bronze contacts.

**Electric gear:** 230-240V/50-60Hz power supply. Hard wire, cross-section 0.5 sq mm and 90° resistant PVC-HT sheath, according to CEI 20-20 standards. A double terminal block with plug-socket connector powers spot modules, maximum allowed lead cross-section: 2.5 sq mm.

**Lamps:** T5 lamp, 4000°K, high performance, high luminous efficiency; standard spot supplied.

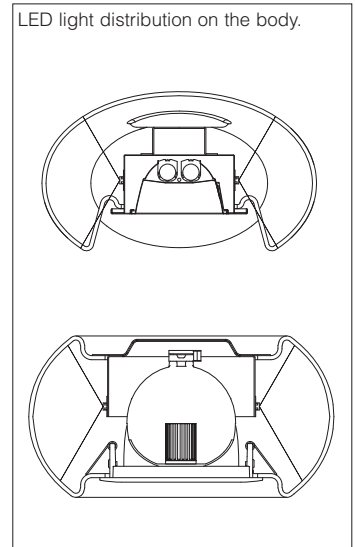
LUMINAIRES



A1 DIMM	12 230	EL A2	FL...FDH G5
ALO...HAGS GU10	AR70...HMGS BA15d		



**LED**



Navigator 1 - version with SPOT 12V						
		CELL-T		CELL-D		Lamps (Ta=35°C)
wattage/W	colour	weight	code	weight	code	Kelvin - ølm - Ra - CRI
FL 1x28 1+1 Low Glare LED 7W	white	10.60	22212011-00			4000K - 2900lm - Ra 1b + 3000K - 700lm - CRI>80
FL 2x28 1+1 Low Glare LED 7W	white	10.60	22212016-00			
FL 1x54 1+1 Low Glare LED 7W	white			12.20	22212014-12	4000K - 5000lm - Ra 1b + 3000K - 700lm - CRI>80
FL 2x54 1+1 Low Glare LED 7W	white			12.20	22212018-12	

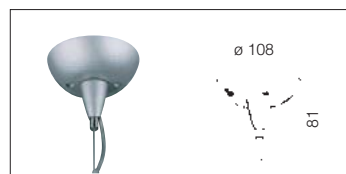
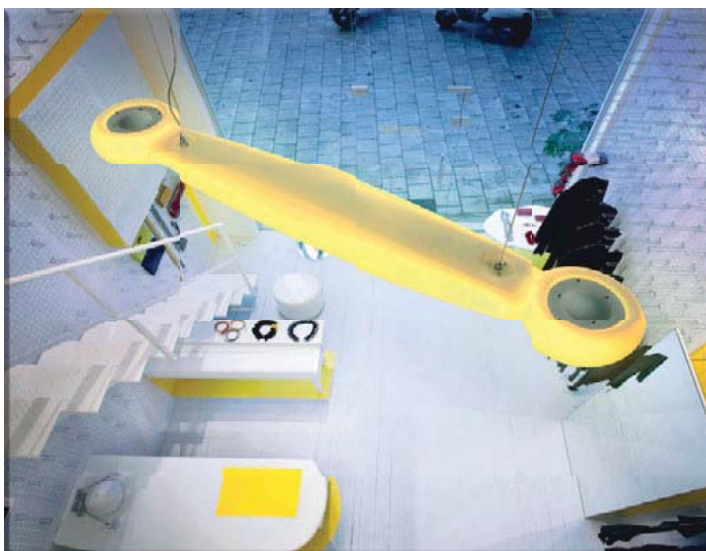
Standard version: FL and spot supplied with double switching mode. On request: version LED fluorescent tube and Spot LED

Navigator 2 - version 3h with emergency				
		CLD CELL-E		Lamps (Ta=25°C)
wattage/W	colour	weight	code	Kelvin - ølm - Ra
FL 1x54 1+1 LED 230V	white	13.00	22212110-00	4000K - 2600 lm - Ra 1b + neutral - 50000h - 45 lm
FL 2x54 1+1 LED 230V	white	13.00	22212111-00	

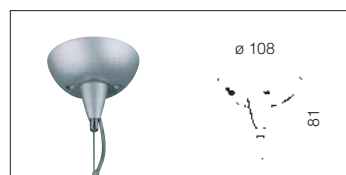
Standard version: FL and spot supplied with double switching mode.

Navigator 3 - version with SPOT 230V y LED							
		CLD CELL-T		CLD CELL-D		Lamps (Ta=35°C)	LED
wattage (350mA)	colour	weight	code	weight	code	Kelvin - ølm - Ra	Kelvin - ølm
FL 1x28 1+1 LED 230V	white	12.60	22212212-00			4000K - 2900 lm - Ra 1b + neutral - 50000h - 45 lm	5400K 2000lm
FL 2x28 1+1 LED 230V	white	12.60	22212213-00				
FL 1x54 1+1 LED 230V	white			12.60	22212214-12	4000K - 5000 lm - Ra 1b + neutral - 50000h - 45 lm	
FL 2x54 1+1 LED 230V	white			12.60	22212215-12		

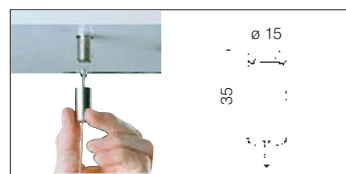
Semi-transparent opal housing. Complete with 5400K white LED (available on request 4700K - 6500K) at 30,8W tot.  
Version with coloured LED lights (yellow, blue, green, red) at 26,4W tot. are supplied on request. or with LED Fortimo integrated FL + SPOT and LED are supplied with double switching mode.



Powered suspension 3 p.	
100 cm	22003173-00
Supplied with steel wire, millimetre adjustment device, and power cord. Max load: 20 Kg. Length 100 cm.	

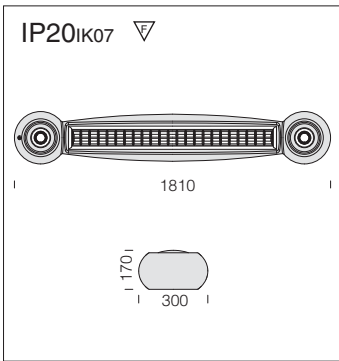


Powered suspension 5 p.	
100 cm	22003178-00
Supplied with steel wire, millimetre adjustment device, and power cord. Max load: 20 Kg. Length 100 cm. For electric gear 5 p. in EM and DIMM versions.	

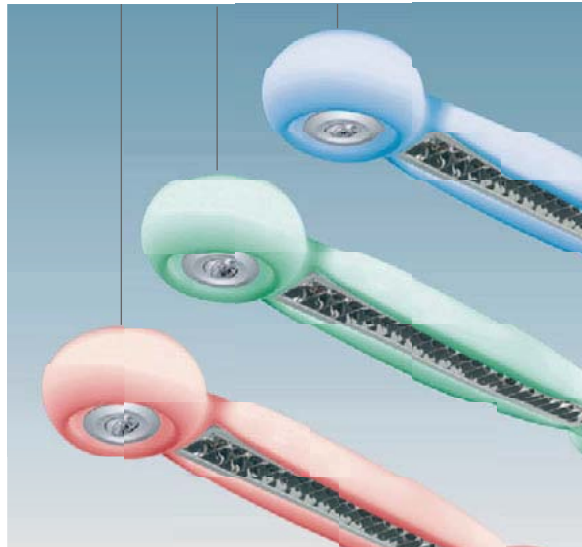


Simple suspension	
nickel	22003166-00
Supplied with steel wire (l=1,75m) and millimetre adjustment device. Max load: 20 kg.	





Semi-transparent opal housing. Completed with LED RGB strips of 53,9W tot. integrated with colour control module. To use DMX version order with subcode 0084. FL + SPOT and LED RGB are supplied with double switching mode. On request it can be acquired with IRE receiver and remote control.



FL...FDH	A1	EL	12
G5	DIMM	A2	230
LED GU10			



**Navigator 4 - version with SPOT 230V and LED RGB**

wattage W	colour	CLD CELL-T		CLD CELL-D		Lamps (Ta=35°C) Kelvin - ølm - CRI	LED W tot.
		weight	code	weight	code		
FL 1x28 1+1 Low Glare LED 7W	white	13,00	22212314-00			4000K - 2900 lm - Ra 1b + 3000K - 700lm - CRI>80	53,9
FL 2x28 1+1 Low Glare LED 7W	white	13,00	22212315-00				
FL 1x54 1+1 Low Glare LED 7W	white			13,00	22212316-12	4000K - 5000 lm - Ra 1b + 3000K - 700lm - CRI>80	
FL 2x54 1+1 Low Glare LED 7W	white			13,00	22212317-12		

**SYSTEM DMX**

**DMX SYSTEM:** the system allows to control dmx through DOP controller 22090867-00 or management software DMX 986562-00 an unlimited number of Navigator DMX for changing color of the body diffusing RGB.

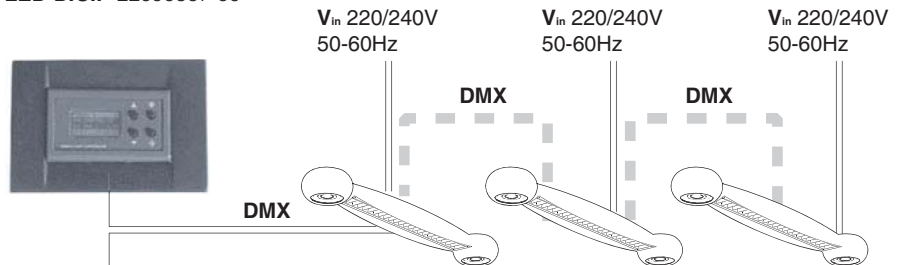
With the DMX SYSTEM can be achieved:  
 - random mixing of colors for more Navigator  
 - same color control for more Navigator

For control of a large number of luminaires (> 16): code 22092052-00 (amplifier DMX)

Navigator Code with Dmx

- 22212314-0084
- 22212315-0084
- 22212316-1284
- 22212317-1284

**CONTROLLER LED D.O.P 22090867-00**



**PROGRAMMING SOFTWARE DMX 22090863-00**

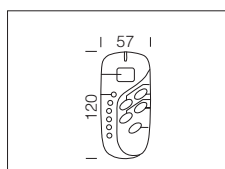
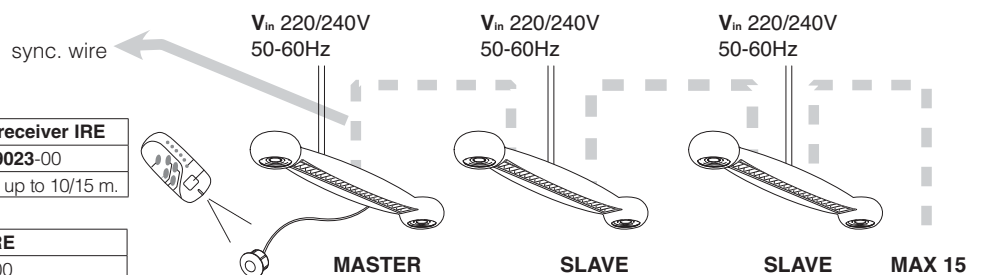
**MASTER / SLAVE**

On request: IRE receiver and remote control

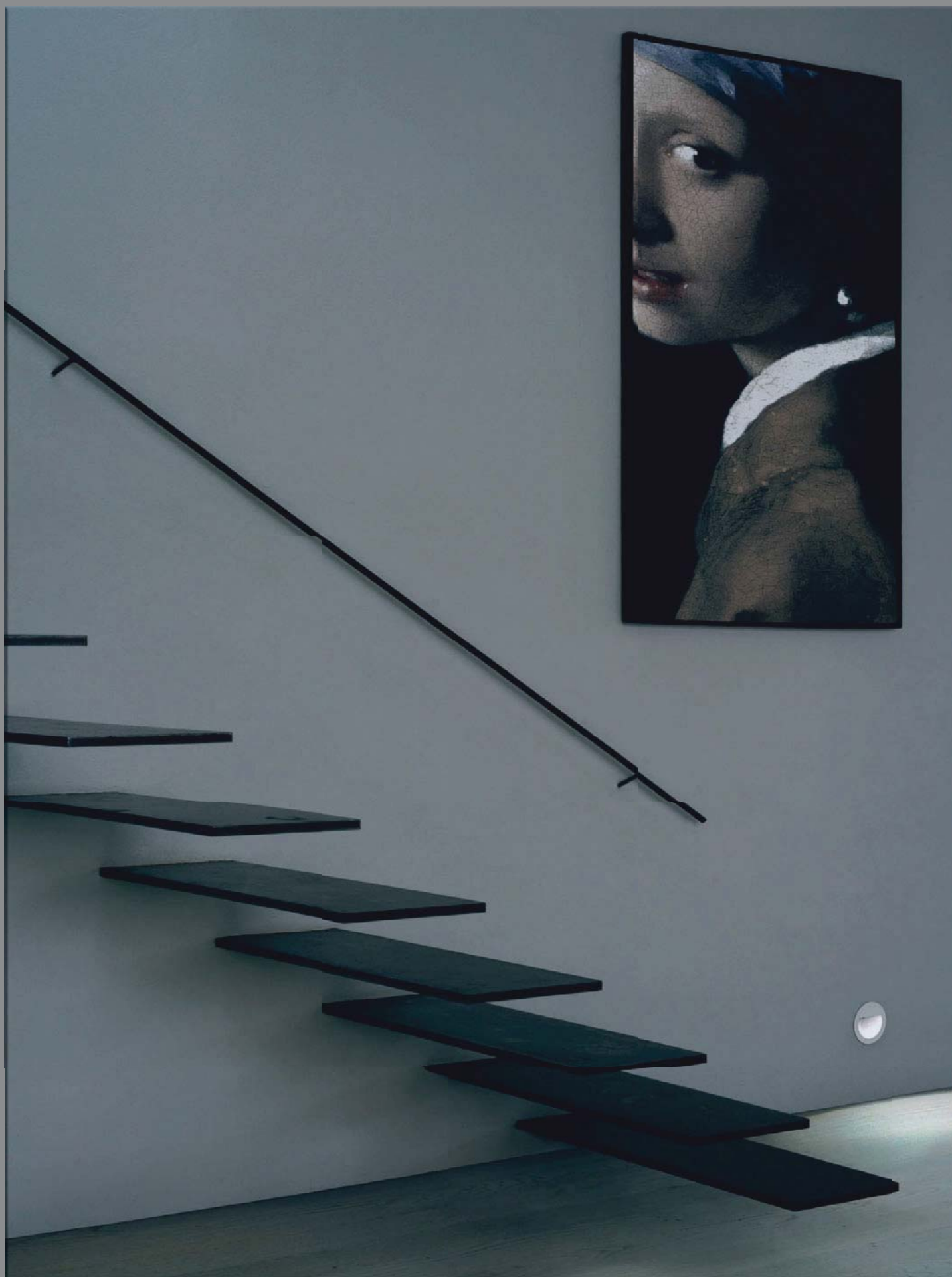
Possibility of synchronization between multiple VENERE mode MASTER / SLAVE (max 15 SLAVE). In the order, specify VENERE with Slave settings.

**FEATURES:**

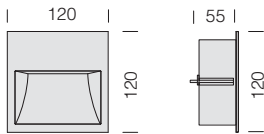
- standard version included with the program changes color pre-set
- can mix light colours



<b>Remote control with receiver IRE</b>	
22099023-00	
Control work a distance of up to 10/15 m.	
<b>Receiver IRE</b>	
22099050-00	



IP40IK08 ▽



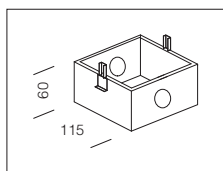
**LED:** 3x0.3W built-in power supply. To be kept on all night, for transit areas, to serve as a courtesy light or ambient light. RAL 9010 in PC plastic material.



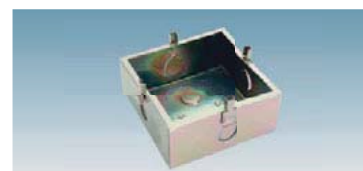
LED

**Cortesia 1**

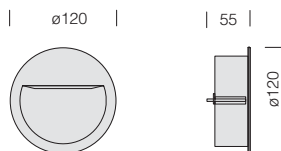
		CLD CELL			LED (Ta=25°C)
wattage/W	colour	weight	code	W tot	Kelvin - ølm - CRI
LED 3x0,3W	white	0,20	22084511-00	1W	2700K - 30lm - CRI 85



Outer casing	
steel	22002400-00
In steel with anti-oxidation treatment, to be used to incorporate the floodlight.	



IP40IK08 ▽



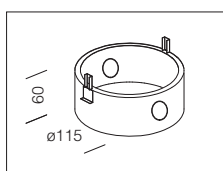
**LED:** 3x0.3W built-in power supply. To be kept on all night, for transit areas, to serve as a courtesy light or ambient light. RAL 9010 in PC plastic material.



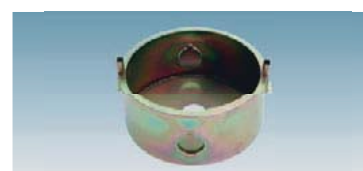
LED

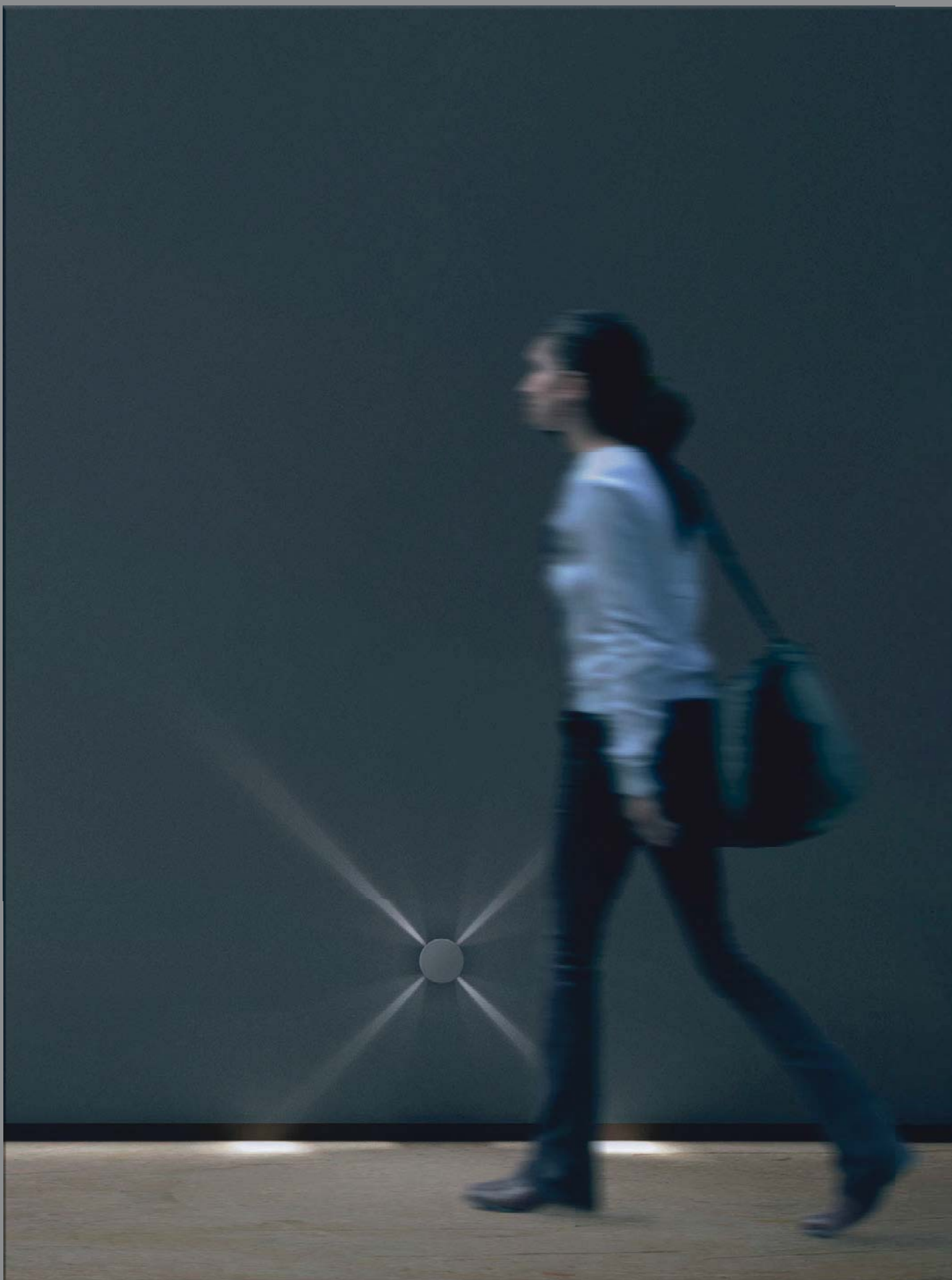
**Cortesia 2**

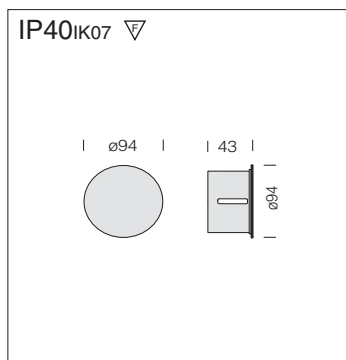
		CLD CELL			LED (Ta=25°C)
wattage/W	colour	weight	code	W tot	Kelvin - ølm - CRI
LED 3x0,3W	white	0,20	22084512-00	1W	2700K - 30lm - CRI 85



Outer casing	
steel	22002401-00
In steel with anti-oxidation treatment, to be used to incorporate the floodlight.	

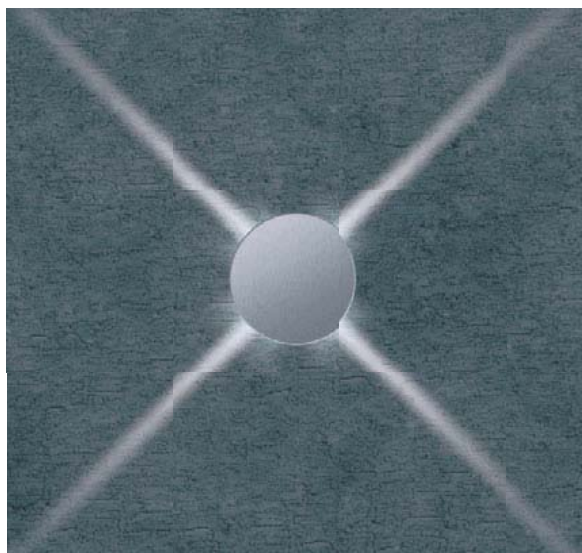






**Housing:** aluminum painted, possibility of mounting on walls and ceiling.

**Optional:** LED with different color.

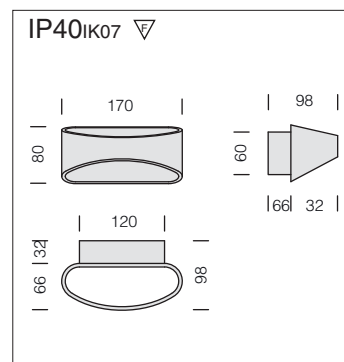


DSL LED EL 220V A2 240V



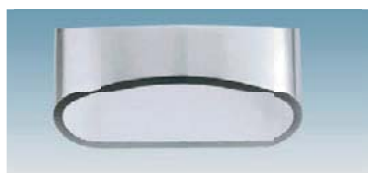
Carattere					
		CLD CELL		LED (Ta=25°C)	
wattage/W (350mA)	colour	weight	code	W tot	Kelvin - ølm - CRI
<b>LED 1W</b>	m. silver	0,20	220 <b>84670</b> -00	<b>1W</b>	3000K - 30lm - CRI 80

The 350mA power supply must be purchased separately (see Chapter Technical components).

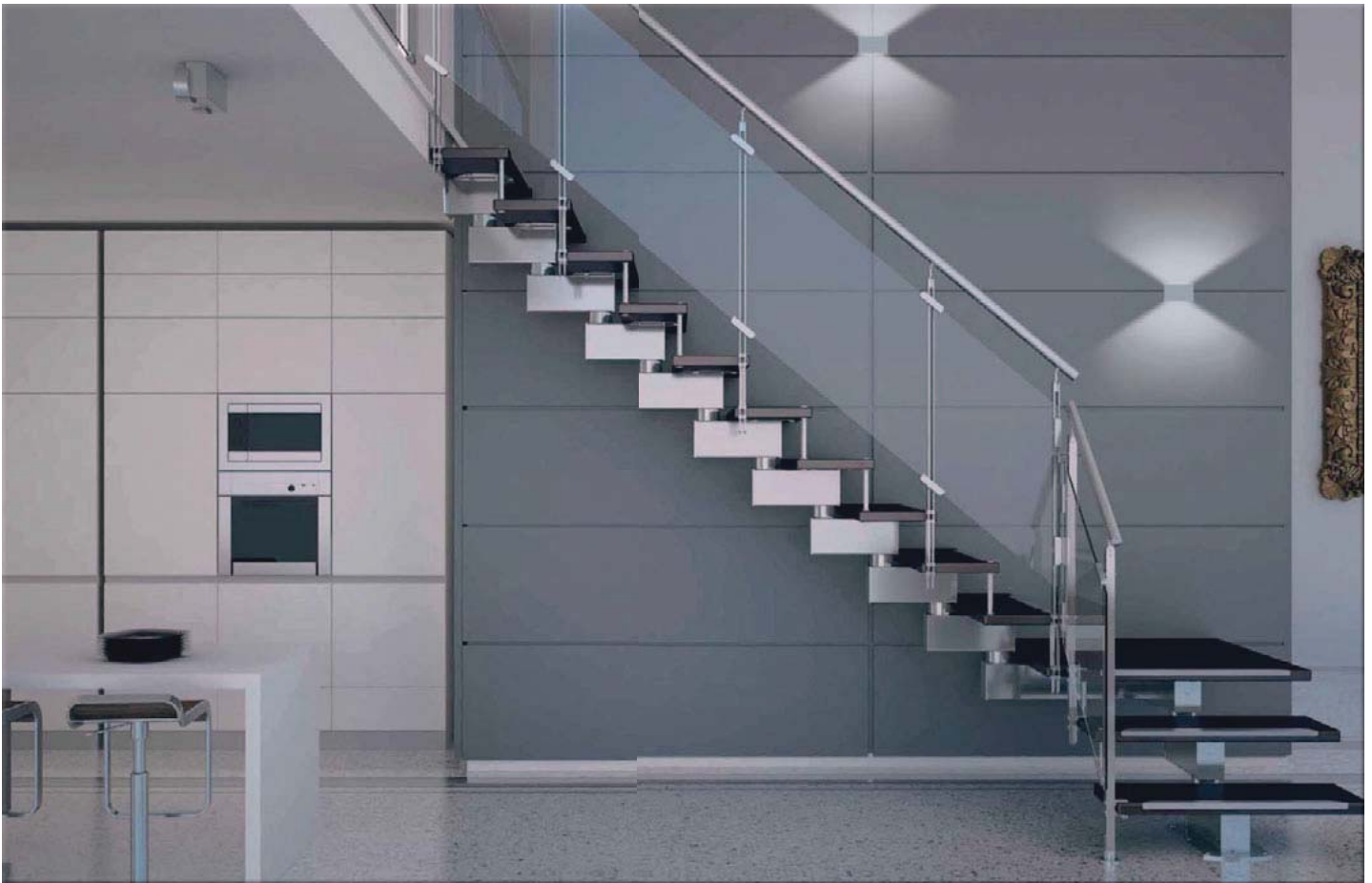


**Curve:** reflections of direct and indirect light on wall surfaces. Lighting to define routes and create decorative effects.

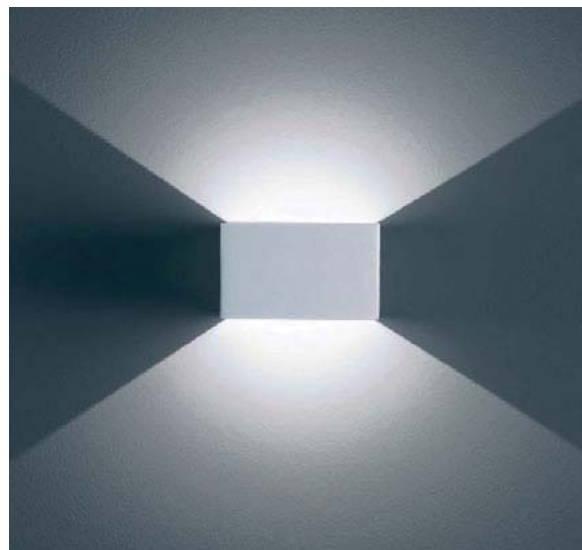
**Housing:** in painted aluminium, designed for wall-mounting.



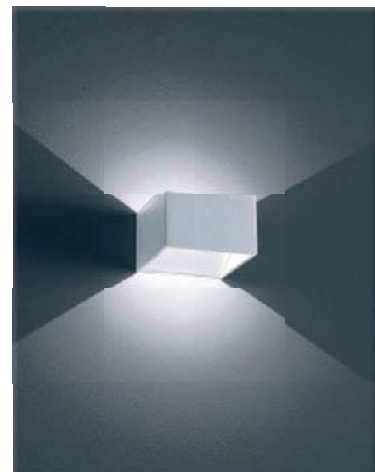
Curve					
		CLD CELL		W tot.	LED (Ta=25°C)
wattage/W	colour	weight	code		K - ølm - CRI
LED 6W	white	1,80	22084811-00	6	3000K - 425lm - CRI 80
LED 6W	chrome	1,80	22084861-00		



IP40IK07 ▽



DSL LED



**Riflesso:** reflections of direct and indirect light on wall surfaces. Lighting to define routes and create decorative effects.

**Housing:** in painted aluminium, designed for wall-mounting.

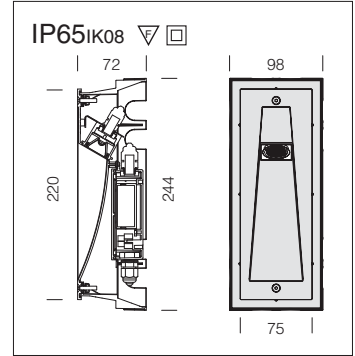
Riflesso					
		CLD CELL		LED (Ta=25°C)	
wattage/W (720mA)	colour	weight	code	W tot.	K - ølm (720 mA) - CRI
LED 6W white	white	1,80	22084810-00	6	3000K - 425lm - CRI 80







LUMINAIRES



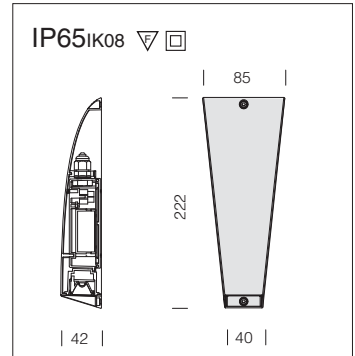
A power supply pack to insert in the IP65 box at the top of the circuit is supplied separately:

- code 22090832-00 - 350mA - 4W - max n. 3 Spy 1,2W - max n. 1 Spy x 3,2W
- code 22090837-00 - 350mA - 17W - max n. 12 Spy 1,2W - max n. 6 Spy x 3,2W
- code 22090835-00 - 700mA - 10W - max n. 3 Spy 3,2W - max n. 3 Spy x 3,2W

Spy 2 - LED							
		CLD CELL			LED (Ta=25°C)		
wattage (350mA)	colour	weight	code	W tot	K	ølm 350mA	beam angle
LED white 1,2W	m. silver	0.50	22084271-00	1,2	3200	35	10°
LED white 1,2W	m. silver	0.50	22084272-00	1,2	6000	100	24°
LED white 1,2W	corten	0.50	22084272-2191	1,2	6000	100	24°

Spy 2 - LED							
		CLD CELL			LED (Ta=25°C)		
wattage (700mA)	colour	weight	code	W tot	K	ølm 700mA	beam angle
LED white 2,6W	m. silver	0.50	22084273-00	2,6	3200	60	10°
LED white 2,6W	m. silver	0.50	22084274-00	2,6	6000	170	24°

Spy 2 - RGB							
		CLD S+L			LED (Ta=25°C)		
wattage	colour	weight	code	W tot	ølm 350mA		
LED RGB 3,2W	m. silver	0.50	22084375-00	3,2	R=30 G=40 B=9		



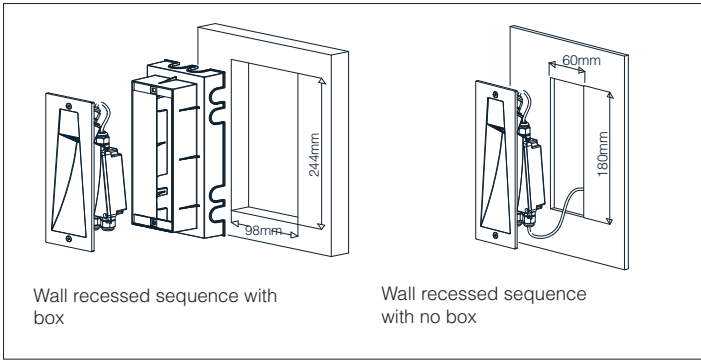
A power supply pack to insert in the IP65 box at the top of the circuit is supplied separately:

- code 22090832-00 - 350mA - 4W - max n. 3 Spy 1,2W - max n. 1 Spy x 3,2W
- code 22090837-00 - 350mA - 17W - max n. 12 Spy 1,2W - max n. 6 Spy x 3,2W
- code 22090835-00 - 700mA - 10W - max n. 3 Spy 3,2W - max n. 3 Spy x 3,2W

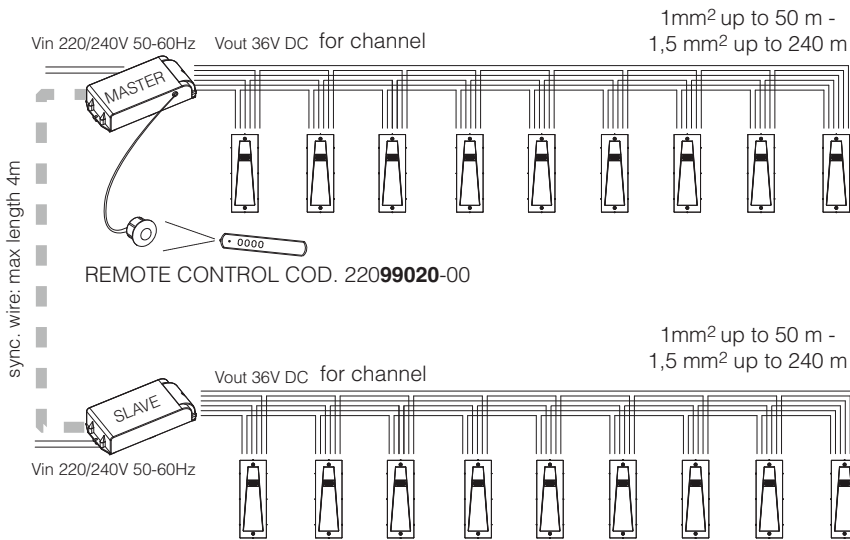
Spy 1 - LED						
		CLD CELL			LED (Ta=25°C)	
wattage (350mA)	colour	weight	code	W tot	K	ølm 350mA
LED white 1,2W	m. silver	0.30	22084071-00	1,2	3200	35
LED white 1,2W	m. silver	0.30	22084072-00	1,2	6000	100
LED white 1,2W	corten	0.30	22084072-2191	1,2	6000	100

Spy 1 - LED						
		CLD CELL			LED (Ta=25°C)	
wattage (700mA)	colour	weight	code	W tot	K	ølm 700mA
LED white 2,6W	m. silver	0.30	22084073-00	2,6	3200	60
LED white 2,6W	m. silver	0.30	22084074-00	2,6	6000	170

Spy 1 - RGB						
		CLD S+L			LED (Ta=25°C)	
wattage	colour	weight	code	W tot	ølm 350mA	
LED RGB 3,2W	m. silver	0.30	22084175-00	3,2	R=30 G=40 B=9	



**RGB MULTIPLE INSTALLATION (FOR SPY 1 AND SPY 2)**



**BASE SYSTEM**

**CODE 22090870-00**  
Master + IRE receiver

Three-channel professional colour control module for LED RGB. Dimmable option supplied separately with IRE remote control (code 22099020-00). To power up to 9 SPY.

**CODE 22090871-00**

Slave

A SLAVE be purchased to use 9 more spotlights in sync with the MASTER, up to 9 SPY (code 22090871-00). Can be operated using 1 MASTER and 99 SLAVES.

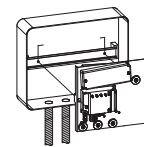
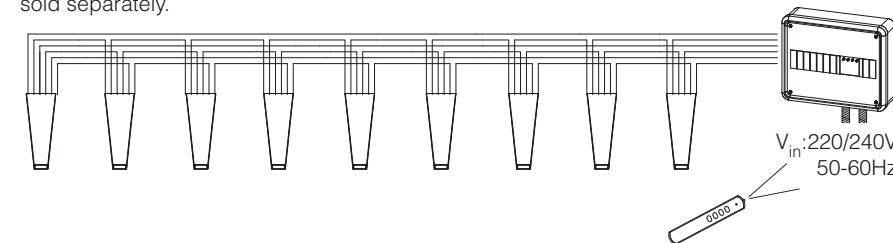
N.B: Observe the connec. in series (max 9 SPY)

**RGB MULTIPLE INSTALLATION (FOR SPY 1 AND SPY 2)**

1 pre-wired plate to fit into an IP65 box that includes 1 Master, 1 IRE receiver and one terminal block for network connection to power in sync 9 SPY IRE remote control (code 22099020-00) sold separately.

**KIT1 CODE 22090872-00**

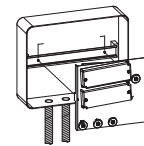
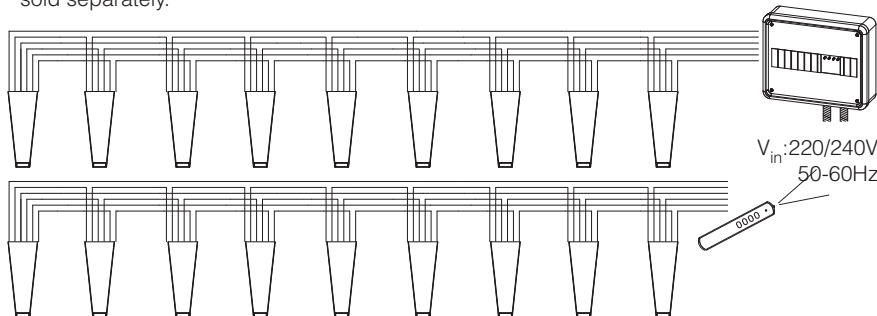
Pre-wired plate with 1 Master, 1 IRE receiver and one terminal block to be used to power 9 SPY RGB



1 pre-wired plate to fit into an IP65 box that includes 1 Master, 1 IRE receiver and one terminal block for network connection to power in sync 18 SPY IRE remote control (code 22099020-00) sold separately.

**KIT2 CODE 22090873-00**

1 Master, 1 Slave, 1 IRE receiver and one terminal block to be used to power 118 SPY RGB in synchronized mode





Today, selling is becoming increasingly synonymous with conveying sensations across. Commercial areas should be conceived as new, eye-catching environments, which highlight fresh products and the latest arrivals. Light can do all this through the use of practical and efficient solutions.

Light is a key requirement in a food retail environment, as it encourages customers to buy food products from the fresh and perishable food counters. Food presentation is the key feature of a shop and its image, showing the level of services provided and the quality of the products sold. Tempt your customers into shopping.



**CDM-Fresh**

#### LED colour changing

Mode color temperature of your choice.

Color temperature from 2700K to 6500K with internal switch to change color.



**On request:** ESALED high color rendering and high efficiency  
100lm / W - 2700K - Ra > 90

Meet the new generation of lamps for supermarkets: the exclusive CDM-T Fresh!  
 With up to 50% less energy consumption, CDM Fresh is a further improvement of accent lighting to make food products even more appealing and irresistible.



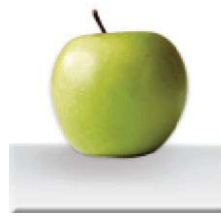
**CDM Fresh**



with **CDM Fresh**

bright  
 saturate  
 inviting  
 attractive

without **CDM Fresh**



opaque  
 no-saturate  
 less inviting  
 less attractive



**Fruit and vegetables:**

bright white light enhances the colour of fresh vegetables, while warm colours make fruit look more attractive.



**Fish:**

cold white light reflecting on the ice is perfect for fresh fish, adding to its appearance of fish just out of the water.



**Meat:**

enhancing the red colour of meat adds a fresher look to the products.



**Bakery products:**

warm light enhances the gold hue of bakery products.

**LED colour changing**

LED colour changing makes fresh food look incredibly pure with full colours.

**CDM-T Fresh**

CDM Fresh makes fresh food (meat, fish, and vegetables) look incredibly pure with full colours. Makes products look even more vibrant.

Up to 50% less energy consumption compared to the old SDW-T Elite.

Long life and stable colour

**HCI Shop light**

This lamp has a higher colour rendering index and ensures better colour stability, especially red. Improved luminous flux with less decay in performance over time and less dependence on operation position. Less frequent maintenance.



**Cheese:**

warm white light is also suitable for fresh cheese and attracts buyers.

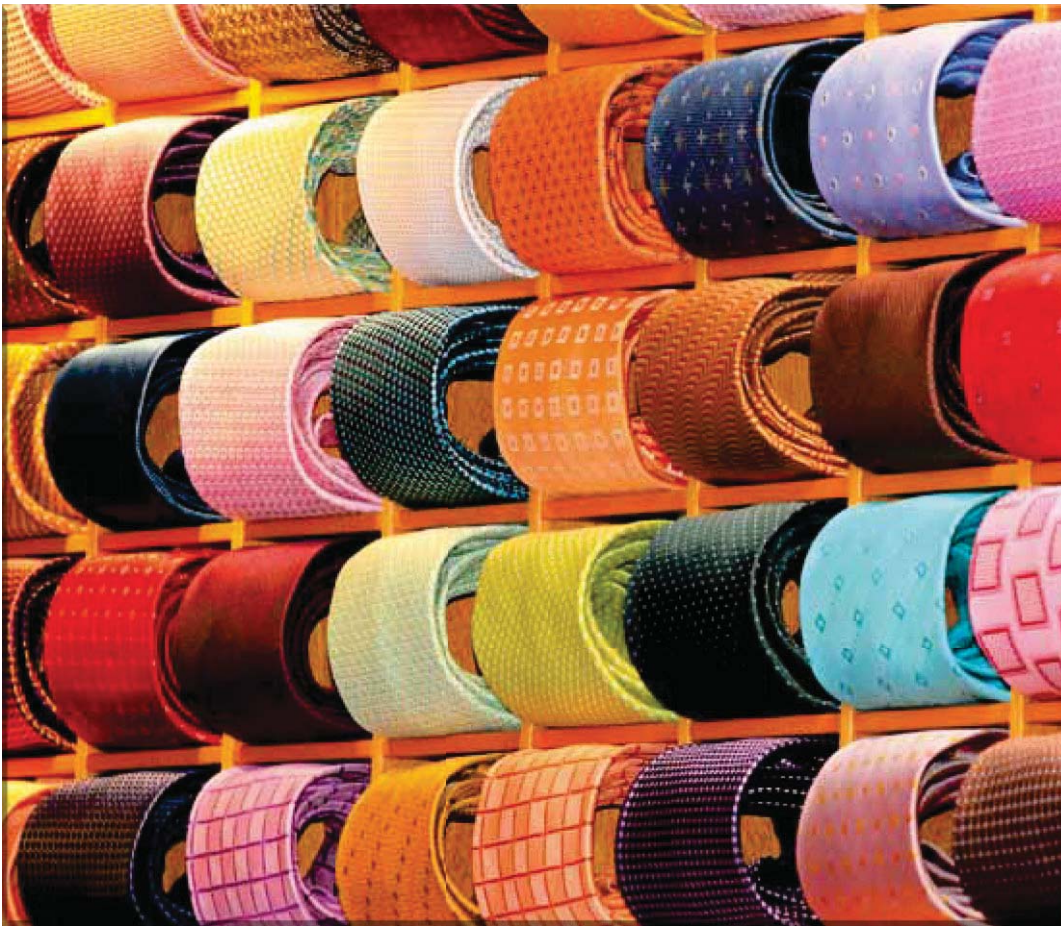


**Fabrics:**

colours add a pleasant appearance to the goods.

	SDW-T 100W	CDM-T Fresh 50W	HCI-TC Shop light 70W
Lumen	5100	4000	6300
lm/W	51	80	86
Temperatura colore	2.500K	4.000K	3.000K
Red saturation index	7	10	10
Green saturation index	5	8	
Ra	70	75	95
Luminous flux after 15,000 hours	70%	75%	





Lighting influences the colour of fresh produce and perishable goods. Bright light attracts buyers to the display stands, however, excessive light and the wrong type of light can alter the original colour of the products displayed.

**Housing:** Die-cast aluminium with cooling fins.

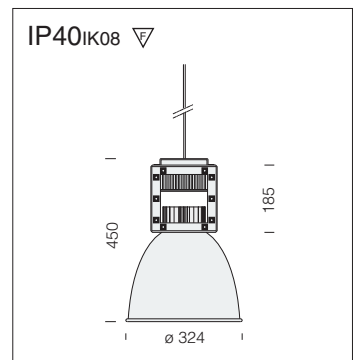
**Diffuser:** Turned anodised and polished aluminium.

**Coating:** Fluid-coated with a humidity resistant, UV-stabilised acrylic-resin paint.

**Equipment:** cable length 5.0m



M	220V 240V	EL A2	Fortimo SLM 3000
---	--------------	----------	---------------------



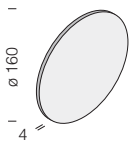
**Diffuser:** Metallized inside and painted outside.

**LED:** equipped with LED color temperature changes with high color rendering.

Compendio A - SLE 2000 - DIMM Switch					
		CLD CELL-D		LED (Ta=25°C)	
wattage/W	colour	weight	code	W tot	olm- CRI
Stark SLE 2000	white	6.00	22221378-00	32	2000lm - CRI> 90

**White colour**  
High colour rendering index CRI > 90  
**Color temperature from 2700K to 6500K with internal switch to change color.**

Filters for special applications



**Fruit filter**

22005260-00

Ideal for enhancing goods displayed in shops or fruit and vegetable departments. For CDM-T.



**Bakery filter**

22005262-00

Ideal for enhancing goods displayed in bakeries. For CDM-T.



**Vegetables filter**

22005261-00

Ideal for enhancing goods displayed in shops or vegetable departments. For CDM-T.



**Fishmonger filter**

22005263-00

Ideal for enhancing goods displayed in fishmonger or seafood departments. For CDM-T.



**Fabrics filter**

22005245-00

Ideal for enhancing goods displayed in shops or in fabric departments. For CDM-T.



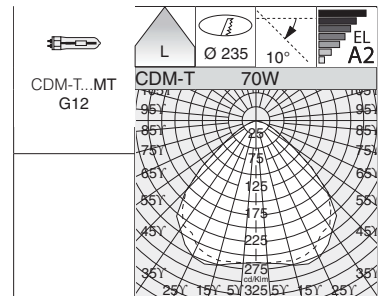
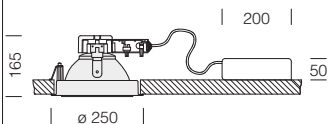
**Butcher's shop filter**

22005264-00

Ideal for enhancing red meat. For CDM-T.



v.a. IP20IK07  
v.l. IP23IK07

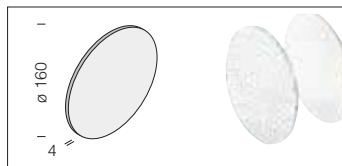


Complete with electric gear box and lamp. Ideal for installation in areas requiring a high level of illumination.

**Mac 2 t**

		CELL		Lamps (Ta=25°C)	
wattage/W	colour	weight	code	Kelvin - ølm - Ra	
CDM-T Elite 50 Fresh	white	2,80	22187711-08	4000K - 3900lm - Ra75	
CDM-T Elite 50 Fresh	m. silver	2,80	22187771-08	4000K - 3900lm - Ra75	
CDM-T Elite 70 Fresh	white	2,90	22187715-08	4000K - 6000lm - Ra75	
CDM-T Elite 70 Fresh	m. silver	2,90	22187775-08	4000K - 6000lm - Ra75	

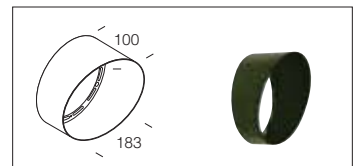
UV/IR filter Glass	
Ø160 CDM-T	22005335-00



**Conveyor - Ømm183**

white	22005320-00
black	22005330-00
m. silver	22005370-00

Made of steel. Conveys the light beam in a single direction.







**OnOff** uses 18 LEDs with 105lm/W chips and offers the possibility to adjust the light beam to specific needs (pedestrian crossings, private parks, and small alleys). This product runs entirely on solar energy collectors and accumulators (timeline is limited by the number of accumulators) or on solar energy-accumulator modules and a power mains conversion system (= HYBRID).

**HOUSING:** in steel and in aluminium complete with base and long bolts to be purchased separately.

- The version running on solar energy is equipped with 3 batteries with a 9Ah rating each, for a total of 27 Ah

- the version running on 230V is equipped with a wiring box containing the ballast

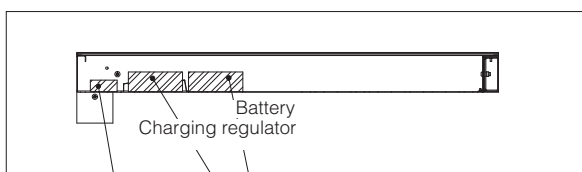
- can be supplied without the wiring box and a ballast acc. 22092035-00 (that can power up to 2 OnOff L).



As for the light source, the fixture presents a groundbreaking solution.

**OnOff** uses LED sources that have improved significantly over the last few years, and that can now guarantee good light efficiency and low power consumption. LEDs also ensure a much longer life compared to traditional light sources.

The fixture's louvre is designed to shed light directly over the pedestrian route.



**We recommend working with your designer to ensure optimal performance and power consumption of the solar energy/hybrid OnOff products.**



**OnOff** uses LEDs that guarantee good luminous efficiency and lower consumptions.

The fixture's louvre is designed to shed light directly over the pedestrian route.

OnOff can be equipped with a light that is activated when a pedestrian enters the crosswalk: an additional pedestrian warning sign.

The product can be equipped with a movement detection sensor: the system is activated only when needed, therefore saving a great amount of energy.

The CIS (solar thin film) technology is based on silicon cells: it also includes a base of copper, indium, gallium and selenium. It can absorb more solar radiations compared to silicon.

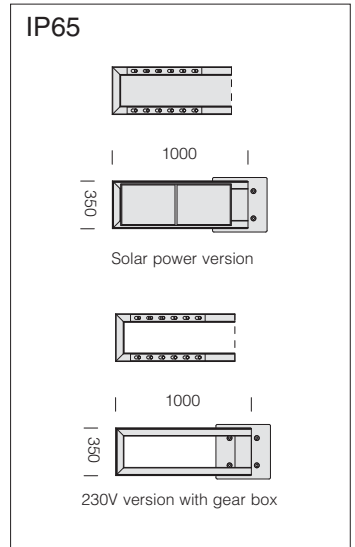
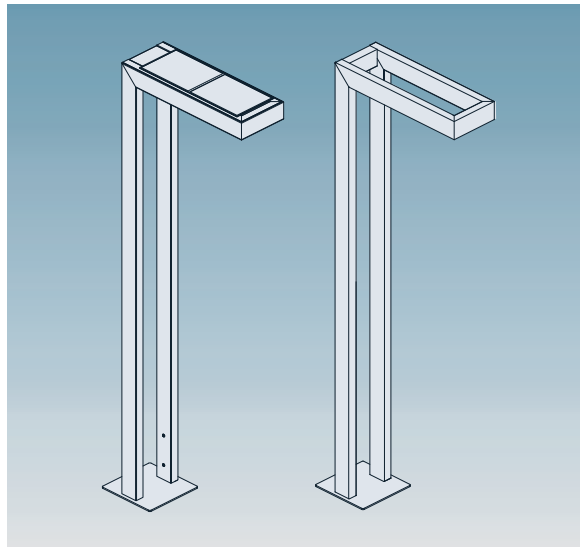
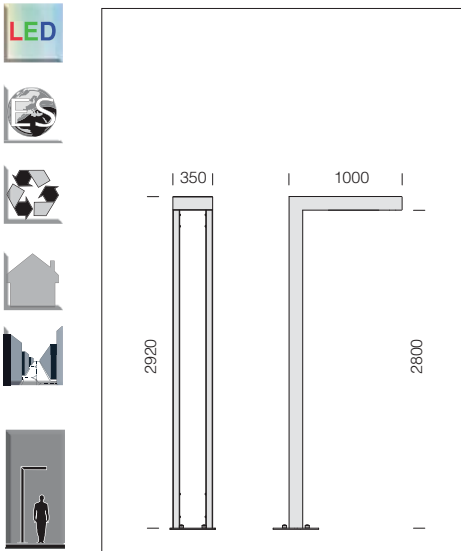
Optimum energy output with low radiation levels. Guaranteed power for very long periods.

HGL watertight liquid electrolyte batteries designed to be used in high duty cycle operation, no need for maintenance and can work over a wide temperature range.

Capacità 9Ah/ 20Hr 12V.

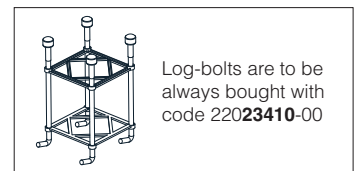
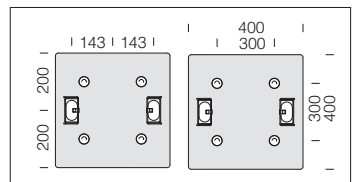
#### **OnOff plugged**

Version with LEDs without batteries, operating with 230v mains power supply.



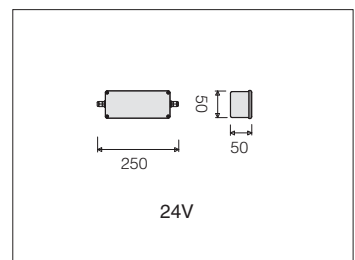
OnOff "M"						
wattage	colour	Solar power with button code	Power supply	n° of guaranteed programmed starts without sunlight	W tot	LED (Ta=25°C) K - ølm
LED 12x1,4W (pedestrian)	oxidised	22054115-00	Sunlight + Batteries	500 (duration 60sec.)	16,8	4000 K - 105 lm
LED 24x1,4W (wide beam)	oxidised	22054116-00	Sunlight + Batteries	250 (duration 60sec.)	33,6	4000 K - 105 lm

Upon request on pedestrian version: version with elliptical lenses.  
 Upon request on a the wide beam version: version with rotary-symmetrical lenses  
 We recommend working with your designer to ensure optimal performance and power consumption of the solar energy/hybrid OnOff products.



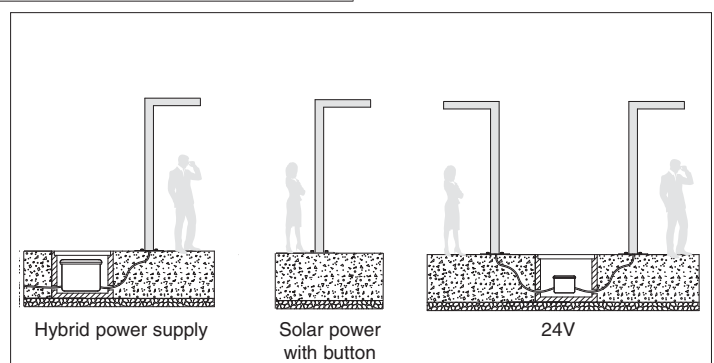
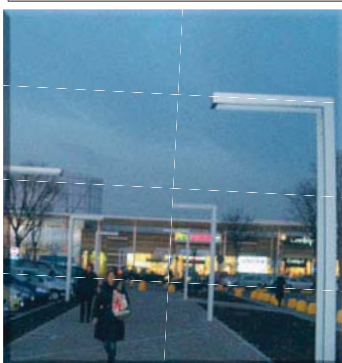
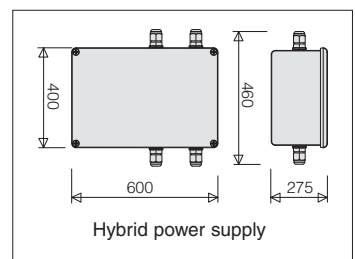
OnOff "M"						
wattage	colour	24V code	Power supply code	Max dist. of power supply with wire sect. 2x1,5mm²	W tot	LED (Ta=25°C) K - ølm
LED 12x1,4W (pedestrian)	oxidised	22054015-00	22092036-00/ 22092038-00	35 Meters	16,8	4000 K - 105 lm
LED 24x1,4W (wide beam)	oxidised	22054016-00	22092036-00/ 22092038-00	20 Meters	33,6	4000 K - 105 lm

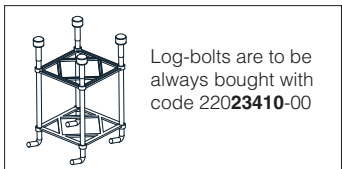
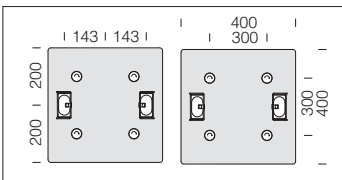
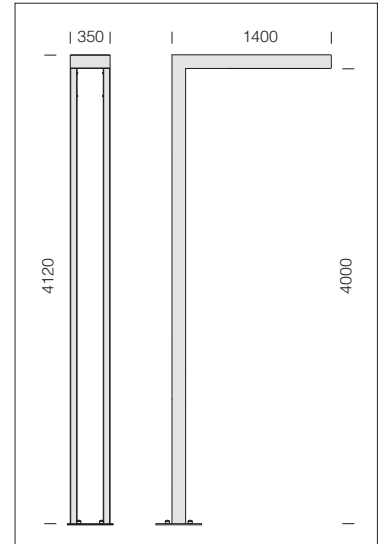
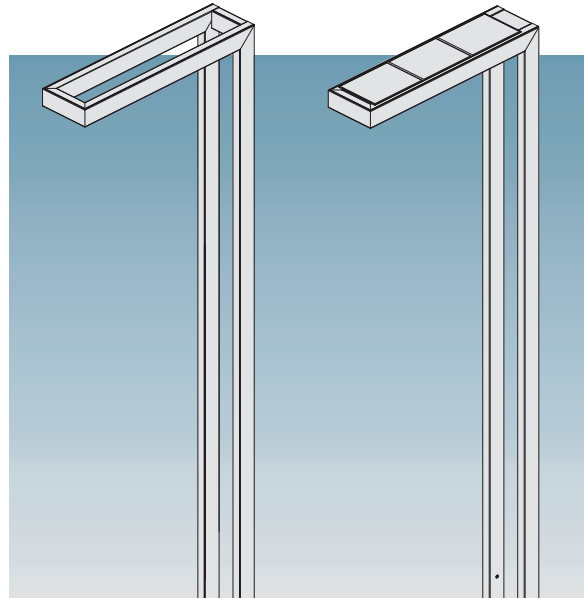
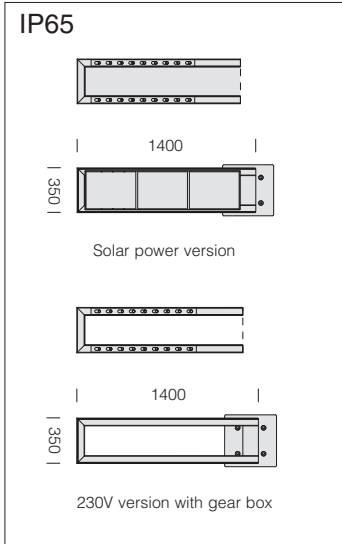
Upon request on pedestrian version: version with elliptical lenses.  
 Upon request on a the wide beam version: version with rotary-symmetrical lenses  
 We recommend working with your designer to ensure optimal performance and power consumption of the solar energy/hybrid OnOff products.



OnOff "M"						
wattage	colour	Hybrid power supply code	Power supply	Guaranteed operation without sunlight and current	W tot	LED (Ta=25°C) K - ølm
LED 12x1,4W (pedestrian)	oxidised	22054013-00	Sunlight+Batteries + Power mains	100 hours	16,8	4000 K - 105 lm
LED 24x1,4W (wide beam)	oxidised	22054017-00	Sunlight+Batteries + Power mains	50 hours	33,6	4000 K - 105 lm

Upon request on pedestrian version: version with elliptical lenses.  
 Upon request on a the wide beam version: version with rotary-symmetrical lenses  
 We recommend working with your designer to ensure optimal performance and power consumption of the solar energy/hybrid OnOff products.

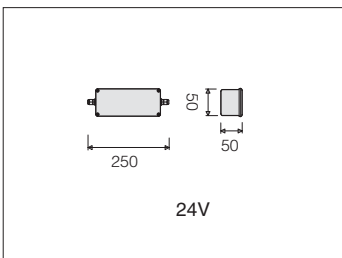




**OnOff "L"**

		Solar power with button	Power supply	n° of guaranteed programmed starts without sunlight	W tot	LED (Ta=25°C)
wattage	colour	code				K - lmm
<b>LED 18x1,4W (pedestrian)</b>	oxidised	22054111-00	Sunlight + Batteries	250 (duration 60sec.)	<b>25,2</b>	4000 K - 105 lm
<b>LED 36x1,4W (wide beam)</b>	oxidised	22054112-00	Sunlight + Batteries	180 (duration 60sec.)	<b>50,4</b>	4000 K - 105 lm

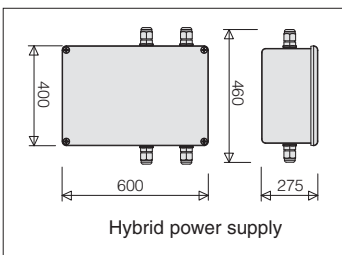
**Upon request on pedestrian version:** version with elliptical lenses.  
**Upon request on a the wide beam version:** version with rotary-symmetrical lenses  
 We recommend working with your designer to ensure optimal performance and power consumption of the solar energy/hybrid OnOff products.



**OnOff "L"**

		24V	Power supply code	Max dist. of power supply with wire sect. 2x1,5mm <sup>2</sup>	W tot	LED (Ta=25°C)
wattage	colour	code				K - lmm
<b>LED 18x1,4W (pedestrian)</b>	oxidised	22054011-00	22092036-00/ 22092038-00	25 Meters	<b>25,2</b>	4000 K - 105 lm
<b>LED 36x1,4W (wide beam)</b>	oxidised	22054012-00	22092036-00/ 22092038-00	15 Meters	<b>50,4</b>	4000 K - 105 lm

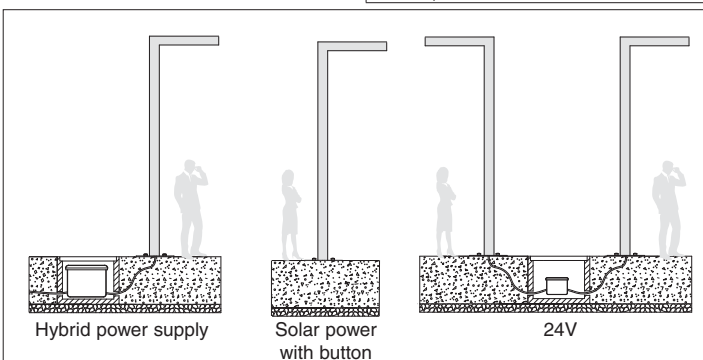
**Upon request on pedestrian version:** version with elliptical lenses.  
**Upon request on a the wide beam version:** version with rotary-symmetrical lenses  
 We recommend working with your designer to ensure optimal performance and power consumption of the solar energy/hybrid OnOff products.



**OnOff "L"**

		Hybrid power supply	Power supply	Guaranteed operation without sunlight and current	W tot	LED (Ta=25°C)
wattage	colour	code				K - lmm
<b>LED 18x1,4W (pedestrian)</b>	oxidised	22054113-00	Sunlight+Batteries + Power mains	50 hours	<b>25,2</b>	4000 K - 105 lm
<b>LED 36x1,4W (wide beam)</b>	oxidised	22054117-00	Sunlight+Batteries + Power mains	30 hours	<b>50,4</b>	4000 K - 105 lm

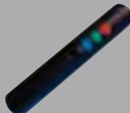
**Upon request on pedestrian version:** version with elliptical lenses.  
**Upon request on a the wide beam version:** version with rotary-symmetrical lenses  
 We recommend working with your designer to ensure optimal performance and power consumption of the solar energy/hybrid OnOff products.





Control Systems for RGB led	<b>p. 457</b>	DMX controls for LED	<b>p. 462</b>	DMX Technology for LED RGB and Fullcolor	<b>p. 456</b>
Emergency Kit for LED	<b>p. 454</b>	Fixtures with Emergency Kit	<b>p. 465</b>	Waterproof boxes - DMX systems	<b>p. 455</b>
KIT with remote control	<b>p. 458</b>	LED Power Supply	<b>p. 459</b>	Loop-in - connections with plugs GST18i	<b>p. 464</b>
Power supply and dimmable power supply	<b>p. 460</b>	Presence sensors	<b>p. 461</b>	Strips LED Power Supply	<b>p. 450</b>
Waterproof emergency box	<b>p. 452</b>				

**POWER LED RGB CONNECTIONS**  
 (Remote control to be purchased with the basic system)



<b>REMOTE CONTROL code</b>
<b>Fosnova</b>
22099020-00
For on/off switching and to regulate colour change programs.

**TYPES OF CONNECTION**

1mm<sup>2</sup> up to 150 m -  
 1,5 mm<sup>2</sup> up to 240 m



Minimum load 4W/  
 channel, max: 3 FULL-  
 LCOLOR triple lenses  
 (ex. art. Deimos)

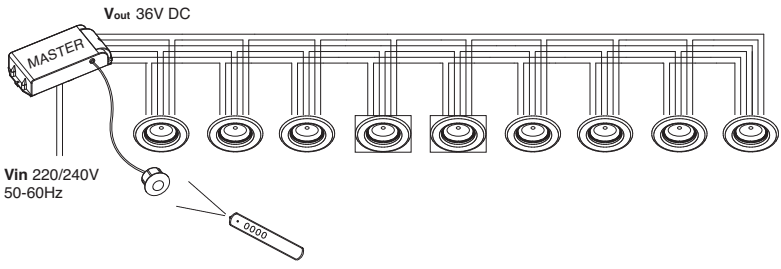
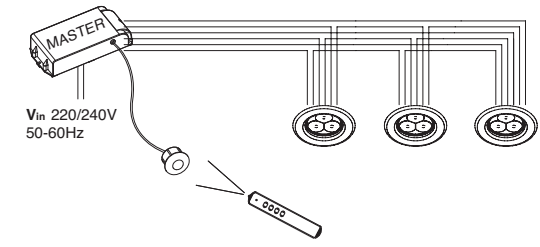


9 Power led FULLCO-  
 LOR (ex. art. M45)

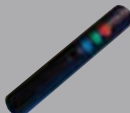
**BASE SYSTEM**  
**CODE 22090870-00**  
 Master + IRE Receiver



Professional, 3 channel-colour control module for the RGB LED modules, with integrated power supply. Separate dimmer functionality for each channel via a special IRE remote control (code 22099020-00). Three variable colour programmes that can be selected via a special black remote control switch. The colour/programme is memorized when switched off, even in the event of a power failure.



**POWER LED RGB CONNECTIONS**  
 (Remote control to be purchased with the basic system)



<b>REMOTE CONTROL code</b>
<b>Fosnova</b>
22099020-00
For on/off switching and to regulate colour change programs.

**TYPES OF CONNECTION**

1mm<sup>2</sup> up to 150 m -  
 1,5 mm<sup>2</sup> up to 240 m



Minimum load 4W/  
 channel, max: 3 FULL-  
 LCOLOR triple lenses  
 (ex. art. Deimos)



9 Power led FULLCO-  
 LOR (ex. art. M45)

+

+



Minimum load 4W/  
 channel, max: 3 FULL-  
 LCOLOR triple lenses  
 (ex. art. Deimos)

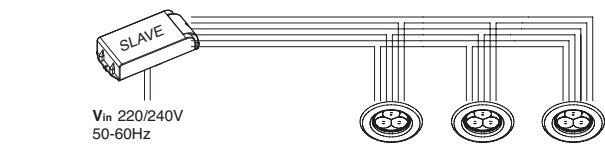
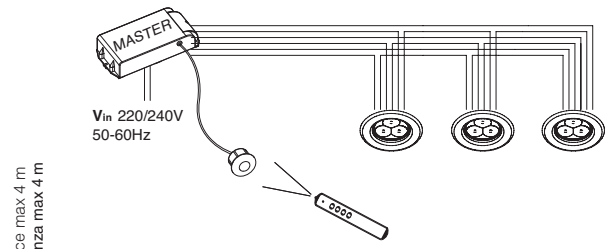


9 Power led FULLCO-  
 LOR (ex. art. M45)

**SLAVE**  
**CODE 22090871-00**



3-way colour control module for LED RGB lights. 3 or 9 triple FULL-COLOR lights to be added to the basic system 22090870-00. Works with 1 MASTER and up to 99 SLAVE devices.



max 99 SLAVE

**N.B:** : Must maintain sequence connection

**TYPES OF CONNECTION**

1mm<sup>2</sup> up to 150 m -  
1,5 mm<sup>2</sup> up to 240 m



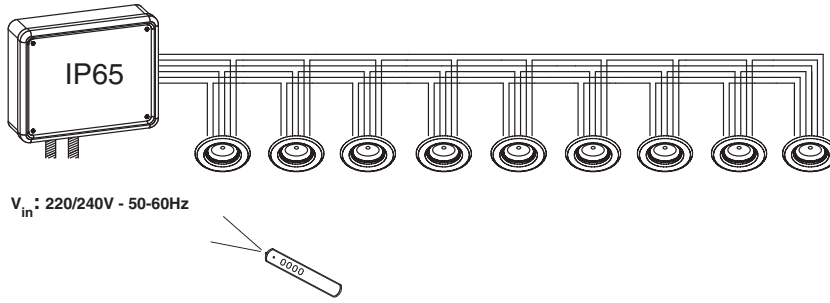
**x3**

Minimum load 4W/  
channel, max: 3 FULL-  
COLOR triple lenses  
(ex. art. Deimos)

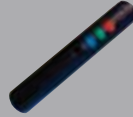


**x9**

9 Power led FULLCO-  
LOR (ex. art. M45)



<b>REMOTE CONTROL code</b>
<b>Fosnova</b>
22099020-00
For on/off switching and to regulate colour change programs.



**POWER LED RGB CONNEC-  
TIONS**

(Remote control to be purchased  
with the basic system)

**KIT1 CODE 22090872-00**

1 Master, IRE Receiver  
and a terminal block for  
the network connection



Supplied with 1 pre-wired plate  
to be inserted in the IP65 box to  
power 9 FULLCOLOR lights in  
sync (ex. art. M45).

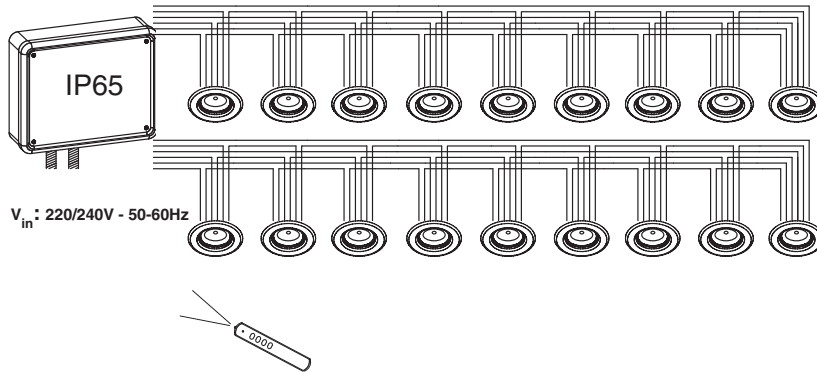
**TYPES OF CONNECTION**

1mm<sup>2</sup> up to 150 m -  
1,5 mm<sup>2</sup> up to 240 m

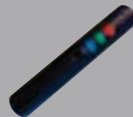


**x6**

6 Power led FULLCO-  
LOR (ex. art. M45)



<b>REMOTE CONTROL code</b>
<b>Fosnova</b>
22099020-00
For on/off switching and to regulate colour change programs.



**POWER LED RGB CONNEC-  
TIONS**

(Remote control to be purchased  
with the basic system)

**KIT2 CODE 22090873-00**

1 Master, 1 Slave, 1 IRE  
receiver and one terminal  
block

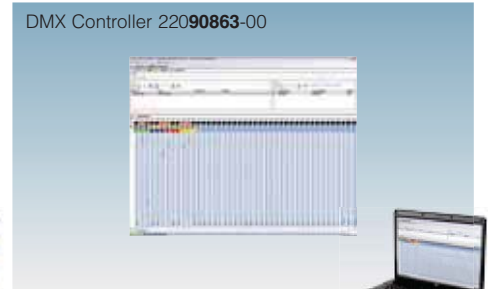
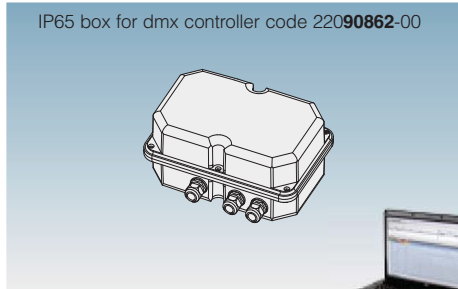


Supplied with 1 pre-wired plate  
to be inserted in the IP65 box to  
power 18 FULLCOLOR in sync  
(ex. art. M45).



**x18**

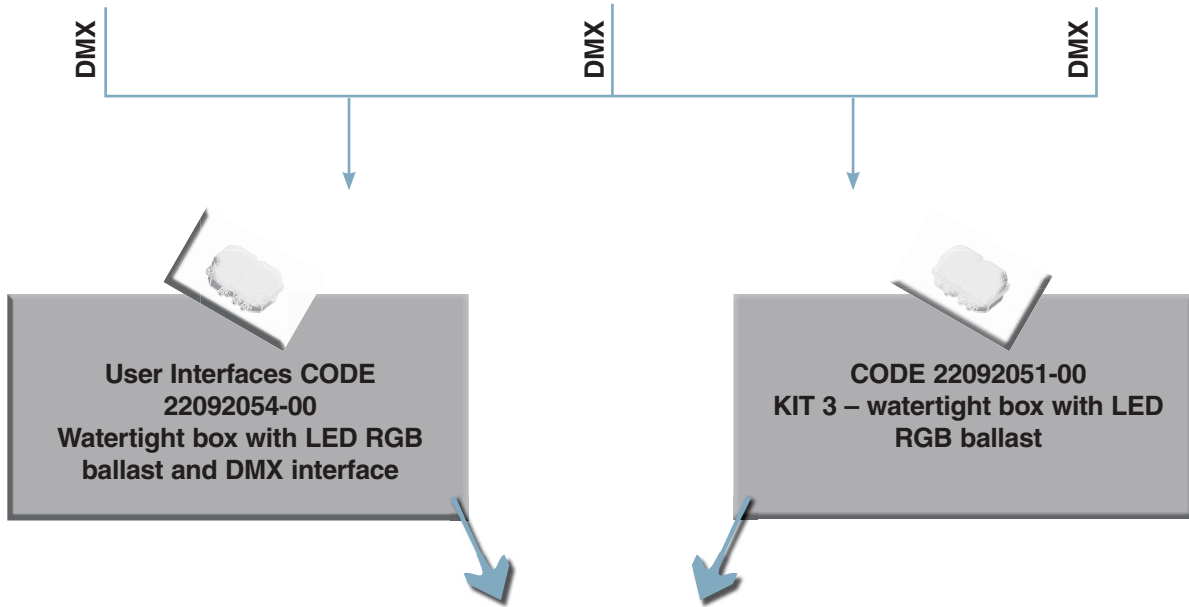
18 Power led FULLCO-  
LOR (ex. art. M45)



DOP Controller	
	22090867-00
DMX Controller for installation in standard 503 recessed box. One dmx channel + 4 channels 1-10V. Option to save settings internally. Monochrome display screen and on-board operation without the use of a PC.	

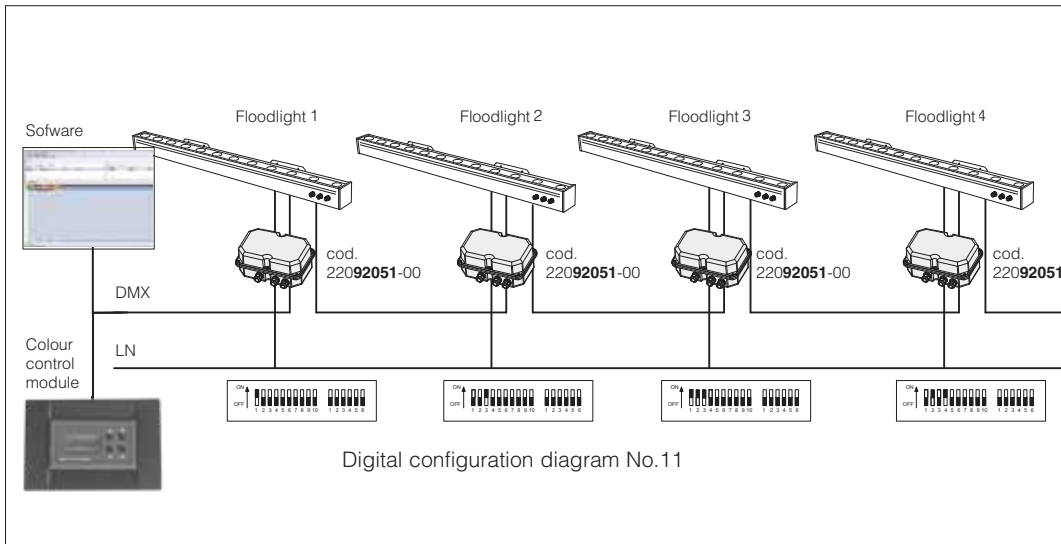
IP65 box for dmx controller	
white	22090862-00
DMX controller with internal memory IP65 VERSION (stand-alone function). It enables to operate DMX interfaces and integrated DMX controlled lighting fixtures. Option to save settings internally. PC connection through USB port during the programming phase through a dedicated software (included in the kit).	

DMX Controller	
white	22090863-00
DMX controller with internal memory (stand-alone function). It enables to operate DMX interfaces and integrated DMX controlled lighting fixtures. Option to save settings internally. PC connection through USB port during the programming phase through a dedicated software (included in the kit).	



Amplifier / DMX signal remodulator		
wattage/W	colour	code
20	black	22092052-00
DMX signal regenerator in watertight box with 20W power supply, 24V. Equipped with DMX terminal entry cable and 4-pin output connector. To be used after the twentieth acc. 22092051-00 and after KIT3 number ten.		



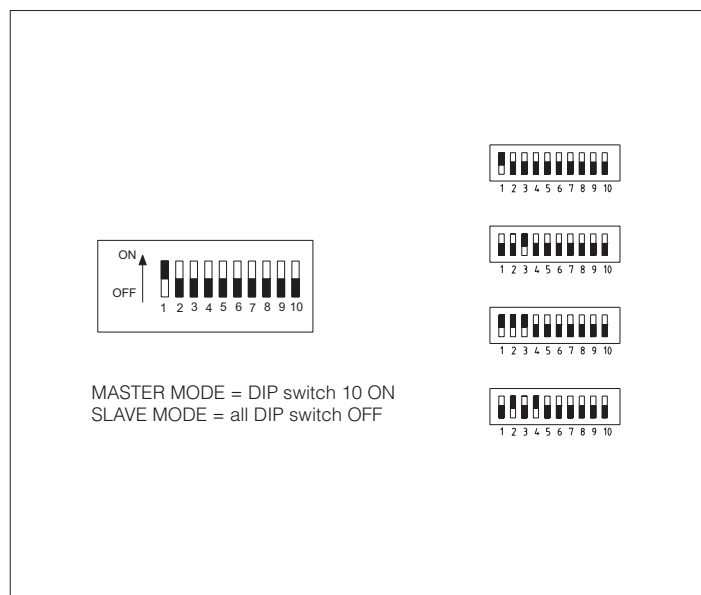


The DMX specifications require an appropriate termination resistance (100-120 ohm).

The termination resistance must be positioned between the **DATA+** and **DATA-** wires of the last floodlight on the DMX line.

The floodlight must have the relative dip-switch set to the OFF position to operate in the **DMX/SLAVE** mode. All the floodlights which receive a digital signal from a control unit must have their address set correctly in accordance with the following table.

Each floodlight occupies 4 channels. The first 9 dip-switches are reserved to set the address. Dip-switch no. 11 groups together the 3 colour channels in a single channel.



First of all it is necessary to configure single floodlights in the management software, which will identify the floodlights based on the address they have been assigned.

A Windows screen shows a real console similar to the consoles used in the theatre, with buttons to control the various channels corresponding to the various floodlights.

The system enables all the characteristics of the light to be controlled (dimming, colour, etc...). The colour can be selected on a palette in a graphics program.

Furthermore, the system enables single scenes to be defined, and to programme the timing interval between one scene and the next and various effects such as fading.

The sequences defined at the computer are transferred to the control unit with a **USB** cable included, the control unit is the DMX interface that will then transfer the sequences to the single floodlights.



### Digital configuration diagram No. 1:

The DMX connection diagram illustrated shows a correct configuration for the multiple synchronisation arrangement of the units or the independent control of single units or groups of units.

There are virtually no limits to the number of floodlights that can be connected to the DMX for each of the required independent lines of the DMX, even if the specific features of each controller should be checked beforehand and a number of signal boosters may be necessary to amplify the numeric signal in question.

### Maximum length of the DMX line:

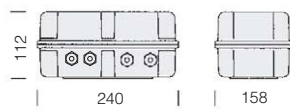
Several floodlights can be connected in SLAVE mode so they follow the programme executed by a MASTER floodlight.

- Maximum length of the DMX line: 200m
  - No. of light fittings which can be connected on the same line: 20
- A signal booster can be used to increase the number of light fittings installed on the same line.

A new software programme for products dedicated to the use of colour in architecture. The software readily enables full control of the luminous design. This new software combines absolute control with user-friendliness, providing an overview of the colour changes, duration of fading and intervals in a visible and simple way. The programs can be downloaded from the central system to the local units and stored in an IP65 rated box (USB compatible) which can be installed externally to provide independent control of all the functions without requiring a computer. The software disk includes the complete libraries of the DMX Disano light fittings.



IP65IK07 ▽



### KIT 3 bis - Waterproof gear box with LED RGB power supply and DMX interface

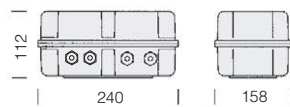
wattage	h	colour	code
60	1	black	22092051-00

IP65 box with 48V 60W power supply for RGB Power LED - max 12 LEDs. Supplied with electronic card and controller / DMX interface, four cable glands, 9/12 mm diameter. After acc. 22092051-00 n. 20, use acc. code 22092052-00.

To be used with up to 12 RGB spotlights with DMX interface



IP65IK07 ▽



### KIT 3 - Waterproof gear box with LED RGB power supply and DMX interface

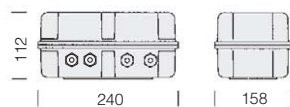
wattage	colour	code
20	black	22092053-00

IP65 box with 24V 20W power supply for RGB Power LED - max 5 M60 RGB. Supplied with DMX Interface and 3 cable glands, 9/12 mm external diameter, 2 cable glands, 5/8 mm external diameter. After KIT3 n. 10 use code 22092052-00.

To be used with up to 5 RGB spotlights with DMX interface



IP65IK07 ▽



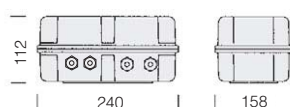
### Amplifier / DMX signal modulator

wattage	h	colour	code
20	1	black	22092052-00

DMX signal regenerator in waterproof gear box with 24V, 20W power supply. Supplied with in-out wire connection (one going in, four going out) to DMX terminal. To be used after acc. 22092051-00 n. 20, and after KIT3 n. 10.



IP65IK07 ▽

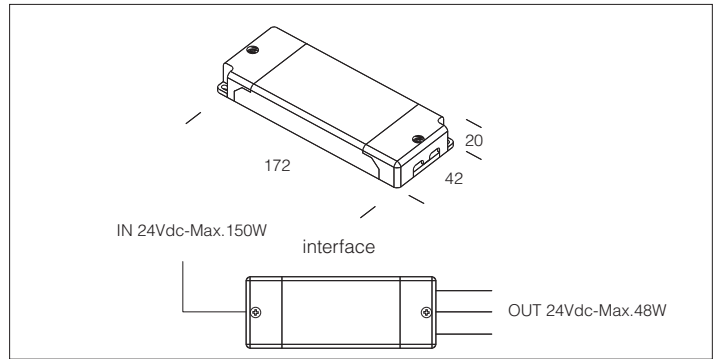


### Waterproof gear box with LED RGB power supply and DMX interface

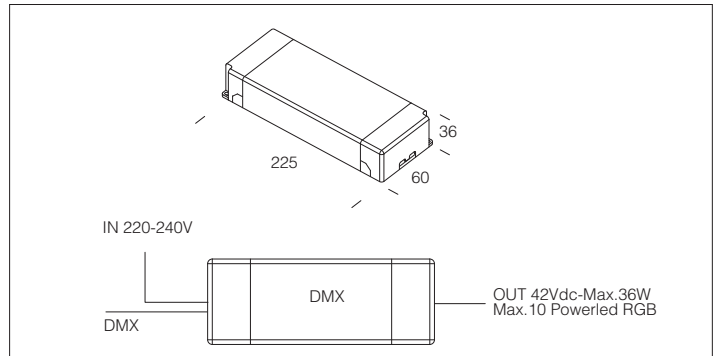
wattage	h	colour	code
100	1	black	22092054-00

IP65 box with power supply 24V 100W for RGB LED modules. Supplied with electronic card with controller / DMX Interface, 6 cable glands, 9/12 mm diameter. It powers up to 3 LISET IP65 22017177/78/79-00 for a total of up to 100w. After accessory n. 26 (2292054-00), accessory code 22092052-00 must be used.

DMX control 24V dc	
Wattage	code
<b>150W</b>	220 <b>90780</b> -00
DMX 24V dc max 48W/channel. Provide adequate power supply 24V dc	



DMX control with power supply	
Wattage	code
<b>36W</b>	220 <b>90781</b> -00
DMX 350mA/channel with integrated power supply for max 10 modules RGB. Respect the series connection.	

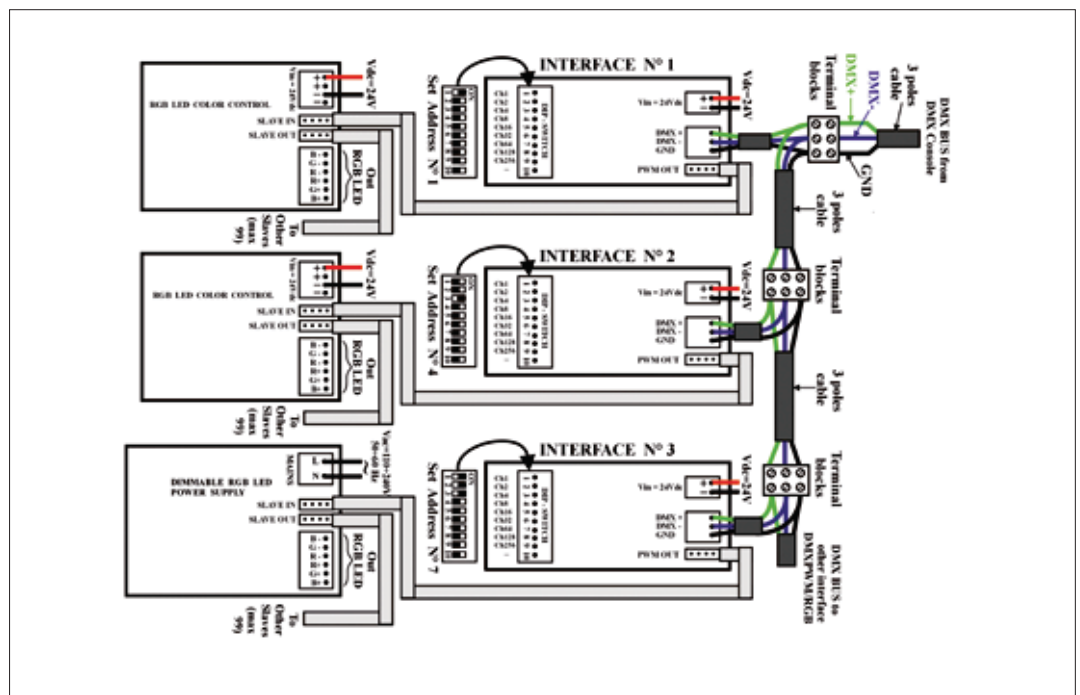


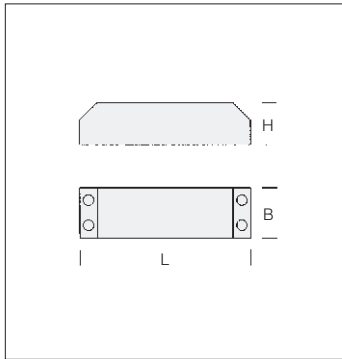
Interface DMX	
	code
For use with SLAVE 22090871-00.	220 <b>90782</b> -00

All RGB Disano products are designed to use the DMX interface based on this innovative technology, which is able to convert standard protocol DMX signals into PWM signals. In so doing, up to 20 DMX/RGB INTERFACES can be linked to a DMX control unit. A specific channel can be fixed for each individual system interface, thanks to a standard DIP-SWITCH and each unit can control up to 99 SLAVES. (see scheme)



Each DMXPWM/RGB interface is powered by 24Vdc voltage and absorbs up to 40mA.





#### - Version constant current for Power LED

- Screw terminals 1.5 mm<sup>2</sup>
- Short circuit protection, overload, open circuit and thermal
- High performance with minimum heat loss and absolute reliability
- Compliance with EN61347-2-13 EN61347-1, EN62384, EN55015, EN61000-3-2, EN61547

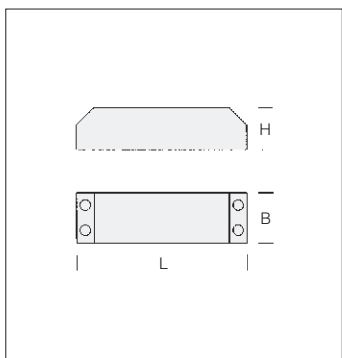
#### \* Indicative values

Power supply series 350mA <sub>Dc</sub> 220-240V 50/60Hz					
Type	Output energy power Max (W)	n°. LED*	weight (Kg)	Size (mm) B - H - L	code
6W/350mA	5,6W	1-4	0,045	32 - 22 - 76	22090832-00
8W/350mA	8,4W	1-6	0,050	38 - 22 - 75	22090894-00
12W/350mA	12W	2-9	0,080	38 - 23 - 125	22090886-00
16,8W/350mA	16,8W	2-12	0,080	38 - 23 - 125	22090837-00
20W/350mA	20W	1-15	0,150	40 - 25 - 165	22090880-00
45W/350mA	3x15W	3x12..14	0,240	60 - 36 - 224	22090899-00

Power supply series 500mA <sub>Dc</sub> 220-240V 50/60Hz					
Type	Output energy power Max (W)	n°. LED*	weight (Kg)	Size (mm) B - H - L	code
6W/500mA	6W	1-3	0,045	32 - 22 - 76	22090883-00
8W/500mA	8W	1-4	0,050	38 - 22 - 75	22090895-00
16,8W/500mA	16,8W	2-9	0,080	38 - 23 - 125	22090890-00
20W/500mA	20W	1-11	0,150	40 - 25 - 165	22090881-00

Power supply series 700mA <sub>Dc</sub> 220-240V 50/60Hz					
Type	Output energy power Max (W)	n°. LED*	weight (Kg)	Size (mm) B - H - L	code
6W/700mA	7,7W	1-3	0,045	32 - 22 - 76	22090884-00
8W/700mA	9,8W	1-3	0,050	38 - 22 - 75	22090896-00
9W/700mA	9W	1	0,050	38 - 22 - 75	22090835-00
16,8W/700mA	16,8W	1-6	0,080	38 - 23 - 125	22090891-00
20W/700mA	20W	1-8	0,150	40 - 25 - 165	22090882-00

Power supply series 1A <sub>Dc</sub> 220-240V 50/60Hz					
Type	Output energy power Max (W)	n°. LED*	weight (Kg)	Size (mm) B - H - L	code
20W/1A	20W	1-6	0,150	40 - 25 - 165	22090898-00



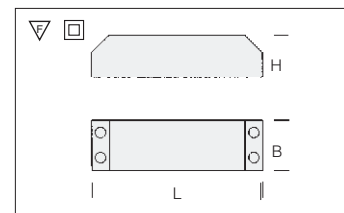
#### - Version constant current for Power LED

- Screw terminals 1.5 mm<sup>2</sup>
- Short circuit protection, overload, open circuit and thermal
- High performance with minimum heat loss and absolute reliability
- Compliance with EN61347-2-13 EN61347-1, EN62384, EN55015, EN61000-3-2, EN61547

Power supply series 12V <sub>Dc</sub> 220-240V 50/60Hz					
Type	Output energy power Max (W)	n°. LED*	weight (Kg)	Size (mm) B - H - L	code
6W/12V	6W	-	0,045	32 - 22 - 76	22090885-00
8W/12V	8,4W	-	0,050	38 - 22 - 75	22090897-00
16,8W/12V	16,8W	-	0,080	38 - 23 - 125	22090892-00
20W/12V	20W	-	0,150	40 - 25 - 165	22090838-00

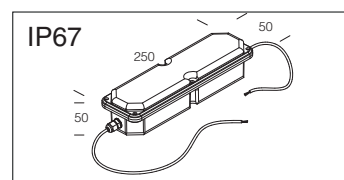
Power supply series 24V <sub>Dc</sub> 220-240V 50/60Hz					
Type	Output energy power Max (W)	n°. LED*	weight (Kg)	Size (mm) B - H - L	code
16,8W/24V	16,8W	-	0,080	38 - 23 - 125	22090893-00
20W/24V	20W	-	0,150	55 - 19 - 145	22090839-00
70W/24V	70W	-	-	60 - 35 - 225	22092022-00

Transformer for Masterled 12V GU5,3 220-240V 50/60Hz					
Type	Output energy power Max (W)	type of control	weight (Kg)	B - H - L	code
HTM 70	70W (x 1-2 Mast. 7W / x 1 Mast. 10W)	IGBT	0.110	52-33-108	22090817-00
HTM 105	105W (x 1-2 Mast. 10W / x 3 Mast. 7W / x 1 Mast. 15W)	IGBT	0.125	52-33-108	22090810-00
HTM 150	150W (x 1-2 Mast. 15W / x 1-3 Mast. 10W / x 4 Mast. 7W)	IGBT	0.125	52-33-108	22090855-00



Power supply for FULLCOLOR 220-240V 50/60Hz		
350mA (master)	white	22090870-00
350mA (slave)	white	22090871-00

Box IP67 Box LED 12V		
wattage/W	colour	code
220-240V 50-60Hz/12V <sub>DC</sub> 70W	black	22092035-00



Box IP67 Box LED 24V		
wattage/W	colour	code
220-240V 50-60Hz/24V <sub>DC</sub> 100W	black	22092036-00
220-240V 50-60Hz/24V <sub>DC</sub> 150W	black	22092038-00

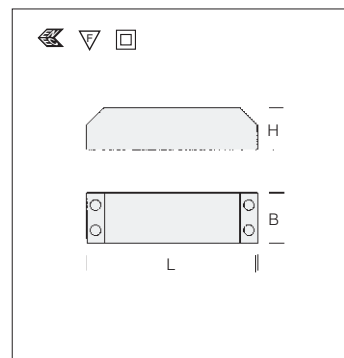
Operation exit to power MASTER/SLAVE version 24V.

Interface dimmable for LED		
V <sub>in</sub> /V <sub>out</sub> 24V <sub>DC</sub> 120W 1-10V	interface DIM 1/10V	22090841-00
V <sub>in</sub> /V <sub>out</sub> 24V <sub>DC</sub> 120W DALI	interface DIM DALI	22090841-1241

Watertight box with 24V LED, dimmable 1-10V		
wattage/W	colour	code
220-240V 50-60Hz/24V <sub>DC</sub> 100W	black	22092081-00

IP65 box with ballast 24V – 100S for 24V LED. Equipped with dimmable interface 1-10V and 4 cable glands, external diameter 9/12mm. It enables to power and dim 2 channels, 50W max for a total of 100W.

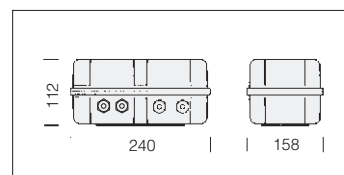
Electronic dimmable transformer					
Type	Output energy power Max (W)	type of control	weight (Kg)	Size (mm) B - H - L	code
ALD 8	15W (I <sub>bc</sub> : 0.350 A)	1-10V / PUSH	0.110	67-21-103	22090837-12
ALD 1	16.8W (I <sub>bc</sub> : 0.350 A)	DALI	0.050	51-26-155	22090837-1241
	16.8W (I <sub>bc</sub> : 0.500 A)				
	16.8W (I <sub>bc</sub> : 0.700 A)				
	16.8W (V <sub>DC</sub> : 24V)				
ALD 2	8.4W (V <sub>DC</sub> : 12V)	1-10V / PUSH	0.110	67-21-103	22090840-00
	15.0W (I <sub>bc</sub> : 0.350 A)				
	25.0W (I <sub>bc</sub> : 0.700 A)				
	22.0W (I <sub>bc</sub> : 0.500 A)				
ALD 3	20.0W (V <sub>DC</sub> : 24V)	1-10V / PUSH	0.150	67-22-125	22090845-12
	25.0W (I <sub>bc</sub> : 0.350 A)				
	35.0W (I <sub>bc</sub> : 0.500 A)				
	50.0W (I <sub>bc</sub> : 0.700 A)				
ALD 4	50.0W (I <sub>bc</sub> : 1.050 A)	DALI	0.150	67-22-125	22090845-1241
	25.0W (I <sub>bc</sub> : 0.350 A)				
	35.0W (I <sub>bc</sub> : 0.500 A)				
ALD 5	6.0W (I <sub>bc</sub> : 0.350 A)	1-10V / PUSH	0.060	50-22-67	22090849-00
ALD 6	18.0W (I <sub>bc</sub> : 0.700 A)	1-10V	0.150	52-33-109	22090834-00
ALD 7	25.0W (V <sub>DC</sub> : 24V)	DALI / PUSH	0.150	42-31-167	22090846-00

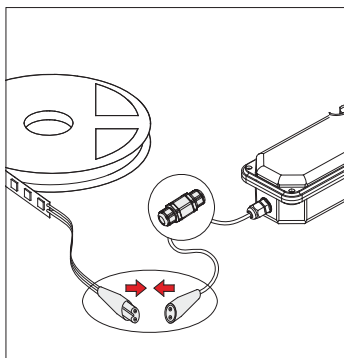


- Screw terminals 1.5 mm<sup>2</sup>
- Short circuit protection, overload, open circuit and thermal
- High performance with minimum heat loss and absolute reliability
- Compliance with EN61347-2-13 EN61347-1, EN62384, EN55015, EN61000-3-2, EN61547



Electronic dimmable transformer			
Type	weight	Size (mm) B - H - L	code
220-230V 50-60Hz/12V 250W	0.50	54 - 45 - 222	22090852-00
220-240V 50-60Hz/12V 60W	0.10	40 - 30 - 130	22090816-00
220-240V 50-60Hz/12V 70W	0.10	50 - 35 - 109	22090818-00
220-240V 50-60Hz/12V 105W	0.15	50 - 35 - 109	22090826-00
220-240V 50-60Hz/12V 150W	0.30	54 - 36 - 153	22090836-00
220-240V 50-60Hz/12V 200W	0.45	49 - 38 - 163	22090847-00

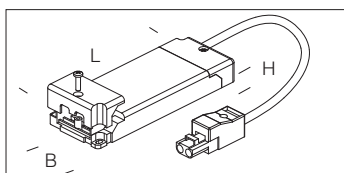




LED strips power supply				
wattage/W	code			
60W / 24V	22090760-00	2 Strips 60LED 4,6 W/m	1 Strip 7,2 W/m	Use subcode -12 for 1-10V power units. Version with DMX unit code 22092054-00
100W / 24V	22090710-00	1 Strip 60LED 14,4 W/m	4 Strips 60LED 4,6 W/m	
150W / 24V	22090715-00	2 Strips 60LED 14,4 W/m	6 Strips 60LED 4,6 W/m	

LED strips power supply IP 67				
wattage/W	code			
60W / 24V	22092030-00	2 Strips 60LED 4,6 W/m	1 Strip 30LED 7,2 W/m	Use subcode -12 for 1-10V power units. Version with DMX unit code 22092054-00
100W / 24V	22092036-00	1 Strip 60LED 14,4 W/m	4 Strips 60LED 4,6 W/m	
150W / 24V	22092038-00	2 Strips 60LED 14,4 W/m	6 Strips 60LED 4,6 W/m	

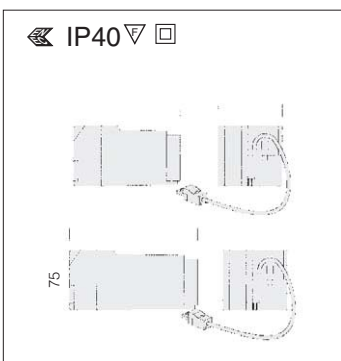
LED RGB power supply with box	
wattage/W	code
24Vdc 60W	22090860-00
Should be purchaiser separately remote control cod. 22099023-00. Ricevitore IRE cod. 22099050-00.	



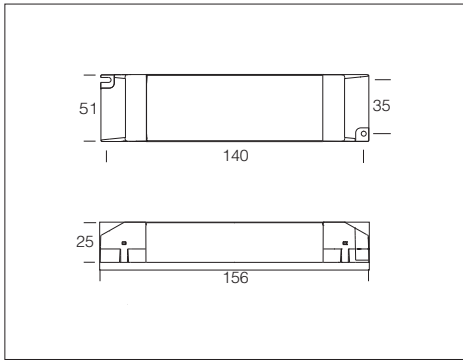
Electronic power supply 220-240V 50/60Hz			
Type		B - H - L (mm)	code
JM/CDM 20W	Completed with wire+2-poled plug for a lamp side.		22092017-00
JM/CDM 35W		83 - 32 - 155	22092012-00
JM/CDM 50W			22092016-00
JM/CDM 70W		83 - 32 - 155	22092013-00
JM/CDM 100W			22092018-00
JM/CDM 150W		88 - 39 - 190	22092014-00



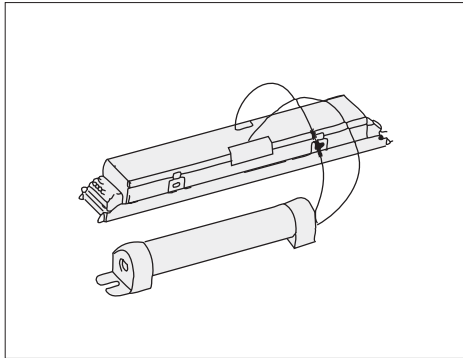
Electronic power supply 220-240V 50/60Hz		
220-240/12V 50W	white	22090815-00



Box Δt 50			
		CNR	
wattage	colour	weight	code
JM/CDM 35	black	1.20	22092001-00
JM/CDM 70	black	1.70	22092011-00
JM/CDM 150	black	2.50	22092021-00
Thermoplastic box V0. Tc≤ 95°C when it normally works, Tc≤105° in malfunction condition. Complete with igniter, ballast, capacitor, 3-poled terminal block and thermal protection.			



Kit RGB	
wattage/W	code
<b>30W/12VDC per CH</b>	22099053-00
<b>60W/24VDC per CH</b>	22099056-00
Equiped with power supply, remote controll and IR receiver	



Electronic emergency lighting Conversion kit	
	22096070-00
ELECTRONIC EMERGENCY LLGHTING CONVERSION KIT	
It is designed to be mounted inside ceiling appliances or in a suitable case at a maximum distance of 2 meters. The duration and luminous flux during the emergency mode are automatically adapted to the fluorescent tube.	



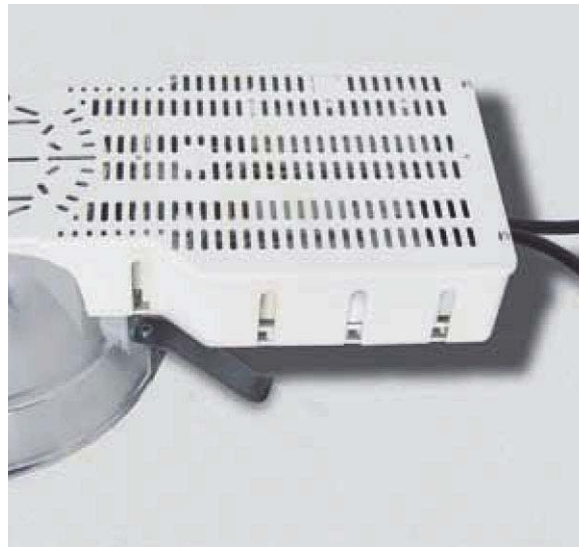
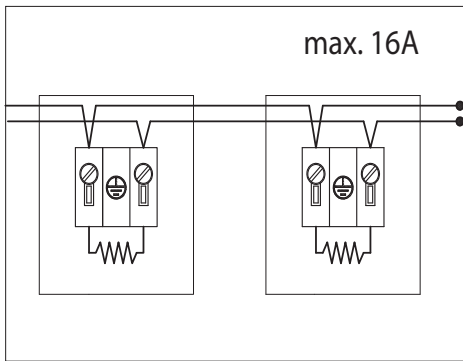
<p><b>INPUT POWER</b></p> <ul style="list-style-type: none"> <li>• Nominal: 220/240 Vac</li> <li>• Maximum: 264 Vac.</li> <li>• Minimum: 198 Vac.</li> <li>• Maximum current: 0.65A</li> <li>• Power factor: 0.98</li> <li>• Breakaway starting current: 35A for 1 ms.</li> <li>• Compliance with EN 61000-3-2.</li> <li>• Terminal: 3 x 0.,5÷2.5 mm2</li> <li>• Output: 92%@ 120W.</li> <li>• Power consumed in stand-by mode: &lt;1W</li> </ul> <p><b>OUTPUT POWER</b></p> <ul style="list-style-type: none"> <li>• SELV isolation</li> <li>• Terminal: 4 x 0.5÷2.5 mm2</li> <li>• Stabilised output voltage.</li> <li>• Maximum output power for each channel: 100W</li> <li>• Total output: 120W</li> </ul>
---

Kit Microliset RGB – Alimentador electrónico regulable en corriente continua para módulos LED – versión Master	
120W/24V	22099054-00
Kit complete with receiver, power supply unit and remote control. For 24V and 120W Microliset. AC/DC switching power unit for dimmable LED modules of class I. The RGB mode is controlled via a IR remote control or button. In single output mode it is controlled via a 1-10V signal or button. Rated output power, voltage: 120W / 24 V / 5 A Max.	



Kit Microliset RGB – Alimentador electrónico regulable en corriente continua para módulos LED – versión Slave	
120W/24V	22099055-00
Kit con alimentador y cable de sincronización. Para Microliset a 24V y 120W. Alimentador switching AC/DC para módulos LED de clase I regulables. En modo simple, salida controlada con una señal 1-10V o pulsador. Potencia, tensión y corriente nominal de salida: 120W / 24 V / 5 A Máx.	





“**LOOP-IN**” refers to a connection system to the mains power supply of two or more lighting fixtures, where each conductor comes in and out of the same terminal. (see drawing) Office comes with a range of terminals, enabling fitters to plug the power supply cable into the internal electrical circuit through automatic wire clamps. The rated current of the loop-in terminal is set at **16A** for these connections.

On request: LOOP-IN with subcode **-0890**

Serial Fosnova articles	Fosnova articles on request	Plug preset Fosnova articles	
Office 2-3-4	Energy	Office 2-3-4	Euro 2-3
Office LED	Energy2000	Metis	Argostar 1 (CELL)
Metis	Shell	Lex	Metis
Lex	Euro 2 /3	Euro 1-4 (CELL)	Compendio 1-2-led
Euro 1-4 (CELL)	Luthor LED	Carrè	Corner
Carrè	Mac 2	Energy	Corner160
	Compendio 1/2/led	Energy2000	Lotus
	King	Shell	Fix 2
	Milano LED		
	Roma LED		

**EQUIPMENT WITH GST18i PLUGS**

In order to optimise product installation times and servicing, Fosnova can supply products fitted with the following gear upon request:

- PVC cable H05V2V2-F3G1,5 and 3 pole plug GST18i3
- PVC cable H05VV-F5G1,5 and 5 pole plug GST18i5

for connection to systems already fitted with a socket.



Equipped with:

- PVC cable H05V2V2-F3G1,5 (the length of the outlet cable varies from 0.5 to 1-2-3 m);
- 3 pole plug GST18i3 for connection to the system already fitted GST18i with a socket.



Equipped with:

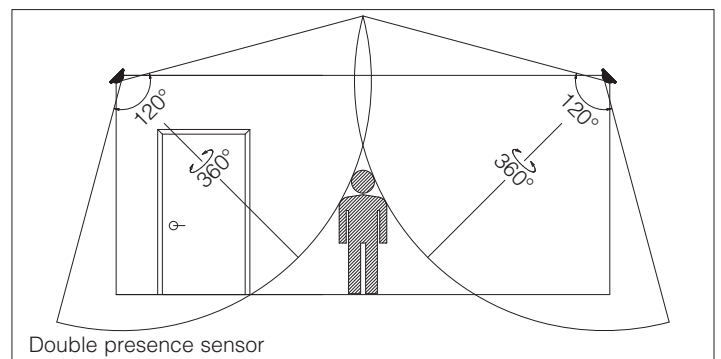
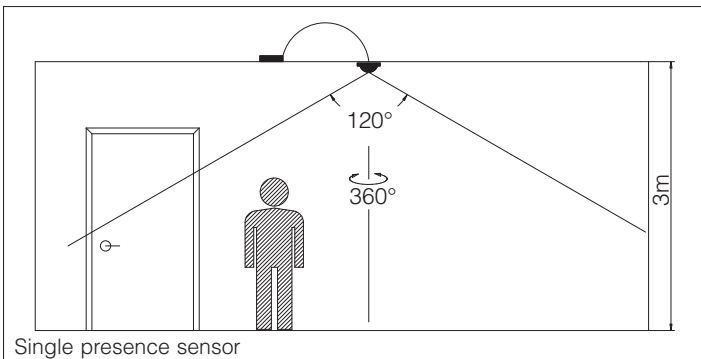
- PVC cable H05VV-F5G1,5 (the length of the outlet cable varies from 0.5 to 1-2-3 m);
- 5 pole plug GST18i5 can be used with boxes or emergency equipment, and for connection to systems supplied with a plug



This new energy-saving, super sensitive product is an automatic sensor that is easy, safe and practical to use. It works through infrared rays that immediately sense the presence of people's movements and anyone walking past. It is easy to install and comes with a wide range of applications: automatic, with no electrical circuit boards, suitable for application in any environment.



To be ordered separately with sub-code **-08000092** for predisposition presence sensor (to buy separately).



**Single presence sensor**

22099051-00

Technical specifications:

**Power supply:** 90 - 265V AC

**Frequency:** 50/60Hz.

**Delay time:** min 25s - max 250s.

**Maximum load:** 400W. L/R/C

**Width measurement sensor system:**

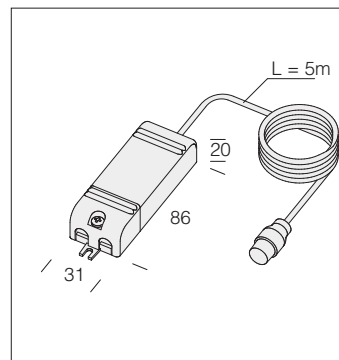
**Conical detection area, angle of aperture:** 120° (lateral view) - 360° (top view).

**Sensor detection range:** 120° (lateral view) - 360° (top view).

**Working temperature:** about -20°C - + 40°C.

**Installation height:** 2 to 4m.

**Length of sensor cables supplied:** 5m



**Double presence sensor**

22099052-00

Technical specifications:

**Power supply:** 90 - 265V AC

**Frequency:** 50/60Hz.

**Delay time:** min 25s - max 250s.

**Maximum load:** 400W. L/R/C

**Width measurement sensor system:**

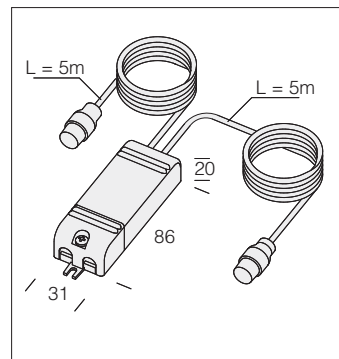
**Conical detection area, angle of aperture:** 120° (lateral view) - 360° (top view).

**Sensor detection range:** 120° (lateral view) - 360° (top view).

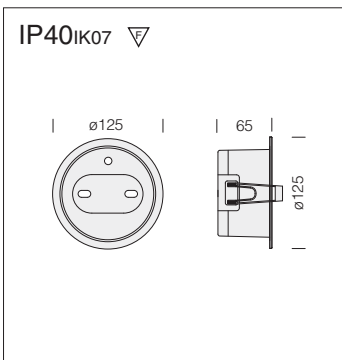
**Working temperature:** -20°C - + 40°C circa.

**Installation height:** 2 to 4m.

**Length of sensor cables supplied:** 5m







LED

Two-colour LED indicator		
Green	Steady light	Standard mode
	Flashing light	Test mode
Red	Assistance	
	1 flash, 4 sec. pause	Battery not connected
	2 flash, 4 sec. pause	Low battery
	3 flash, 4 sec. pause	Battery charger broken
	4 flash, 4 sec. pause	Transformer broken

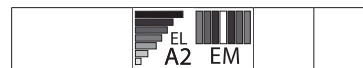
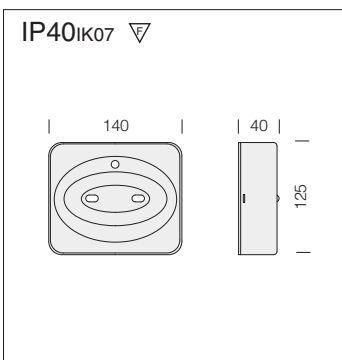


Emergency lighting is an essential safety system to ensure the protection of people during emergency situations. People who are left in the dark during power outages or block-outs, especially in crowded places or during a catastrophic event, will feel uneasy, hence increasing the risk of getting hurt because uneasiness can easily turn into panic.

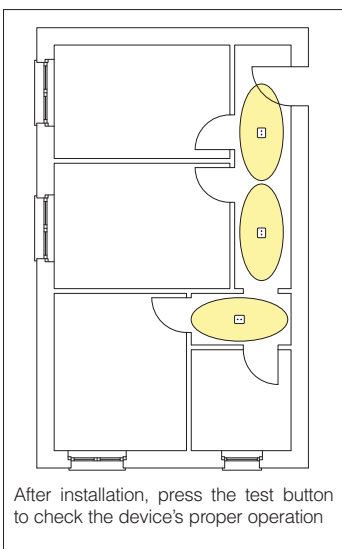
Therefore, an efficient emergency lighting system is an essential requirement to guarantee a safe and fast evacuation during emergencies.

If this system is designed in compliance with existing laws and regulations, it will provide the necessary aid that, together with adequate safety signals, will ensure a smooth evacuation from the premises.

Emergency 1								
		CLD CELL-E		Input Voltage	Charge duration	Discharge duration	Battery	W tot.
wattage/W	colour	weight	code					
LED	white	1,00	22170918-00	220-240V, 50Hz	24h	1h	7,2V - 800mA	3W
LED	white	1,00	22170919-00	220-240V, 50Hz	24h	3h	7,2V - 1000mA	3W



LED

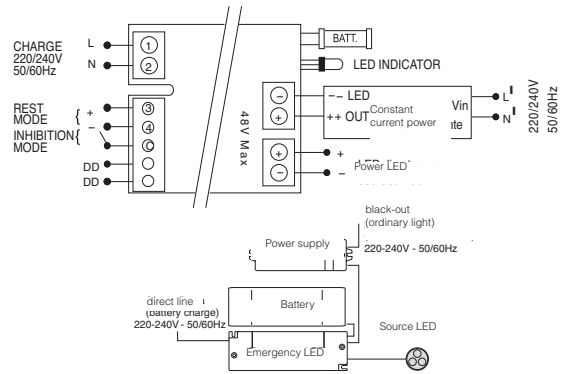


Emergency 2								
		CLD CELL-E		Input Voltage	Charge duration	Discharge duration	Battery	W tot.
wattage/W	colour	weight	code					
LED	white	1,00	22170818-00	220-240V, 50Hz	24h	1h	7,2V - 800mA	3W
LED	white	1,00	22170819-00	220-240V, 50Hz	24h	3h	7,2V - 1000mA	3W

**Combined operation**

Instantaneous intervention to any lack of network

- Batteries Ni-Cd "high temperature"
- Charge indicator LED (cable length 350mm)
- Protection against extensive discharge
- Optional version with integrated self-diagnostic microprocessor
- Terminal Capacity: 1.5 mm<sup>2</sup>
- Compliance with EN61347-2-13 EN61347-2-7, EN61547, EN55015, EN60598-2-22 EN61000-3-2, SELV



1 hour autonomy					
Type	Flux		Output energy power (W):	weight (Kg)	Code
<b>KIT L1 35</b> - Emergency 1h <b>350mA</b> (batt. NiCd 7,2V 1,6Ah)	85% - Max 6 LED		<b>Max 8,4W</b>	0,500	22096013-00
<b>KIT L1 50</b> - Emergency 1h <b>500mA</b> (batt. NiCd 7,2V 1,6Ah)	70% - 3 LED		<b>Max 16,8W</b>	0,600	22096015-00
	58% - 6 LED				
<b>KIT L1 70</b> - Emergency 1h <b>700mA</b> (batt. NiCd 7,2V 1,6Ah)	50% - 3 LED		<b>Max 16,8W</b>	0,600	22096017-00
	41% - 6 LED				
<b>KIT H1 35</b> - Emergency 1h <b>350mA</b> (batt. NiCd 7,2V 1,6Ah)	85% - 6 LED		<b>Max 16,8W</b>	0,750	22096023-00
	38% - 12 LED				
<b>KIT H1 50</b> - Emergency 1h <b>500mA</b> (batt. NiCd 7,2V 1,6Ah)	58% - 6 LED		<b>Max 20W</b>	0,750	22096025-00
	36% - 12 LED				
<b>KIT H1 70</b> - Emergency 1h <b>700mA</b> (batt. NiCd 7,2V 1,6Ah)	41% - 6 LED		<b>Max 35W</b>	0,750	22096027-00
	18% - 12 LED				
<b>KIT H1 105</b> - Emergency 1h <b>1000mA</b> (batt. NiCd 7,2V 1,6Ah)	29% - 6 LED		<b>Max 36W</b>	0,750	22096028-00
	13% - 12 LED				

All models are equipped with: power supply, battery and inverter (220-240V 50/60Hz)

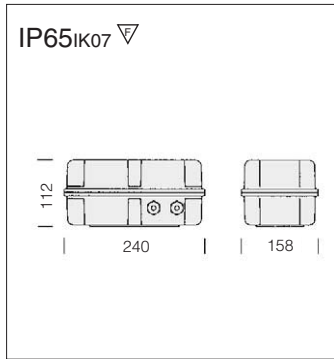
3 hours autonomy					
Type	Flux		Output energy power (W):	weight (Kg)	Code
<b>KIT L3 35</b> - Emergency 3h <b>350mA</b> (batt. NiCd 7,2V 4Ah)	85% - Max 6 LED		<b>Max 8,4W</b>	0,700	22096033-00
<b>KIT L3 50</b> - Emergency 3h <b>500mA</b> (batt. NiCd 7,2V 4Ah)	70% - 3 LED		<b>Max 16,8W</b>	0,800	22096035-00
	58% - 6 LED				
<b>KIT L3 70</b> - Emergency 3h <b>700mA</b> (batt. NiCd 7,2V 4Ah)	50% - 3 LED		<b>Max 16,8W</b>	0,800	22096037-00
	41% - 6 LED				
<b>KIT H3 35</b> - Emergency 3h <b>350mA</b> (batt. NiCd 7,2V 4Ah)	85% - 6 LED		<b>Max 16,8W</b>	0,950	22096043-00
	38% - 12 LED				
<b>KIT H3 50</b> - Emergency 3h <b>500mA</b> (batt. NiCd 7,2V 4Ah)	58% - 6 LED		<b>Max 20W</b>	0,950	22096045-00
	36% - 12 LED				
<b>KIT H3 70</b> - Emergency 3h <b>700mA</b> (batt. NiCd 7,2V 4Ah)	41% - 6 LED		<b>Max 35W</b>	0,950	22096047-00
	18% - 12 LED				
<b>KIT H3 105</b> - Emergency 3h <b>1000mA</b> (batt. NiCd 7,2V 4Ah)	29% - 6 LED		<b>Max 36W</b>	0,950	22096048-00
	13% - 12 LED				

All models are equipped with: power supply, battery and inverter (220-240V 50/60Hz)



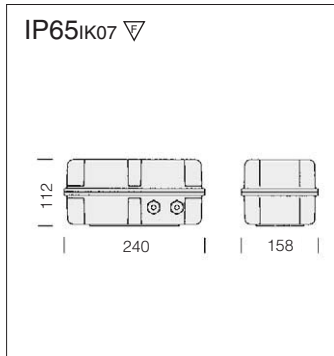
Waterproof box $\Delta t$ 65			
		CNR	
wattage	colour	weight	code
<b>JM 70</b>	black	2.70	22092010-00
<b>JM 150</b>	black	3.70	22092020-00

Complete with igniter, ballast, capacitor and terminal block.



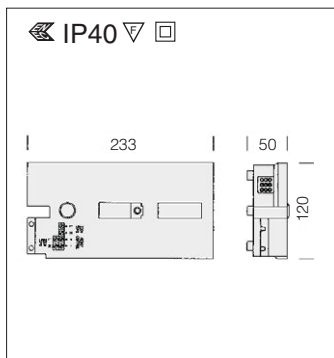
Waterproof emergency box			
		CN-E	
wattage	h	colour	code
<b>18</b>	<b>1</b>	black	22092040-00

Complete with batteries and inverter, in case of "black-out" the connected lamp remains on, preventing in this way difficulties caused by sudden lack of illumination.



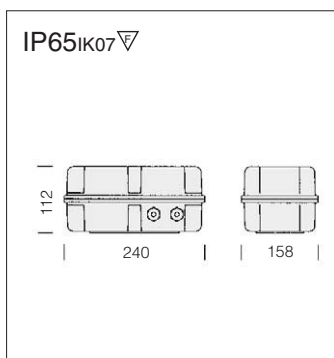
Emergency box			
		CN-E	
wattage	h	colour	code
<b>18/26</b>	<b>1</b>	white	22092041-00

Complete with batteries and inverter, in case of "black-out" the connected lamp remains on, preventing in this way difficulties caused by sudden lack of illumination. It is also available for electronic version code 22092044-00.



Waterproof emergency box			
		CN-E	
wattage	h	colour	code
<b>26</b>	<b>3</b>	black	22092042-00

Complete with batteries and inverter, in case of "black-out" the connected lamp remains on, preventing in this way difficulties caused by sudden lack of illumination.



Waterproof emergency box			
		CN-E	
wattage	h	colour	code
<b>26</b>	<b>1</b>	black	22092043-00

Complete with batteries and inverter, in case of "black-out" the connected lamp remains on, preventing in this way difficulties caused by sudden lack of illumination.

Lighting of interiors with artificial light UNI EN 12464 - tables				
Traffic zones				
Type of interior, task or activity	Em (lx)	UGRL	Ra	Remarks
Circulations areas and corridors	100	28	40	1.Illuminance at floor level UGR similar to adjacent areas there are vehicles on the route 4.The lighting of exits and entrances shall transition zone to avoid sudden in illuminance between inside and by day or night 5.Care should be taken to avoid glare to and pedestrians
Stairs, escalators, travelators	150	25	40	
Loading ramps/bays	150	25	40	
1.2				
Rest, sanitation and first aid rooms				
Type of interior, task or activity	Em (lx)	UGRL	Ra	Remarks
Canteens, pantries	200	22	80	
Rest rooms	100	22	80	
Rooms for physical exercise	300	22	80	
Cloackrooms, washrooms, bathrooms, toilets	200	25	80	
Sick bay	500	19	80	
Rooms for medical attention	500	16	90	Tcp ≥ 4000 K
1.3				
Control rooms				
Type of interior, task or activity	Em (lx)	UGRL	Ra	Remarks
Plant rooms, switch gear rooms	200	25	60	
Telex, post room, switch board	500	19	80	
2.9				
Hairdressers				
Type of interior, task or activity	Em (lx)	UGRL	Ra	Remarks
Hairdressers	500	109	90	
2.10				
Jewellery manufacturing				
Type of interior, task or activity	Em (lx)	UGRL	Ra	Remarks
Working with precious stones	1500	16	90	Tcp ≥ 4000 K
Manufacture of jewellery	1000	16	90	
Watch making (manual)	1500	16	80	
Watch making (automatic)	500	19	80	
2.19				
Vehicle construction				
Type of interior, task or activity	Em (lx)	UGRL	Ra	Remarks
Body work and assembly	500	19	80	
Painting, spraying chamber, polishing chamber	750	22	80	
Painting, touch-up, inspection	1000	19	80	Tcp ≥ 4000 K
Upholstery manufacture (manned)	1000	19	80	
Final inspection	1000	19	80	
3				
Offices				
Type of interior, task or activity	Em (lx)	UGRL	Ra	Remarks
Filing, copying, etc...	300	19	80	
Writing, typing, reading, data processing	500	19	80	
Technical drawing	150	16	80	
CAD work stations	500	19	80	
Conference and meeting rooms	500	19	80	Lighting should be controllable
Reception desk	300	22	80	
Archives	200	25	80	
4				
Retail premises				
Type of interior, task or activity	Em (lx)	UGRL	Ra	Remarks
Sales area	300	22	80	Both illuminance and UGR requirements are determined by the type of shop
Till area	500	19	80	
Wrapper table	500	19	80	
5.1				
General areas				
Type of interior, task or activity	Em (lx)	UGRL	Ra	Remarks
Entrance halls	100	22	80	UGR only if applicable
Bathroom, toilet	200	25	80	
Lounges	200	22	80	
Ticket offices	300	22	80	
5.2				
Restaurants and hotels				
Type of interior, task or activity	Em (lx)	UGRL	Ra	Remarks
Reception/cashier desk, porters desk	300	22	80	
Kitchen	500	22	80	There should be a transition zone between kitchen and restaurant
Restaurant			80	Lighting should be controllable
Restaurant, dining room, function room	200	22	80	
Self-service restaurant	300	22	80	
Buffet	500	19	80	
Conference rooms	100	20	80	Lighting should be controllable
Corridors				During night-time lower levels are acceptable
5.3				
Theaters, concert halls and cinemas				
Type of interior, task or activity	Em (lx)	UGRL	Ra	Remarks
Practice rooms, dressing rooms	300	22	80	Lighting of mirrors for make-up shall be glare-free
5.4				
Type of interior, task or activity	Em (lx)	UGRL	Ra	Remarks
General lighting	300	22	80	
5.5				
Museums				
Type of interior, task or activity	Em (lx)	UGRL	Ra	Remarks
Exhibits, insensitive to light				Lighting is determined by the display requirements
Light sensitive exhibits				1.Lighting is determined by the display requirements 2.Protection against damaging radiation is paramount

5.6				
<b>Libraries</b>				
Type of interior, task or activity	Em (lx)	UGRL	Ra	Remarks
Bookshelves	200	19	80	
Reading areas	500	19	80	
6.1				
<b>Nursery school, play school</b>				
Type of interior, task or activity	Em (lx)	UGRL	Ra	Remarks
Play room	300	19	80	
Nursery	300	19	80	
Handicraft room	300	19	80	
6.2				
<b>Educational buildings</b>				
Type of interior, task or activity	Em (lx)	UGRL	Ra	Remarks
Classrooms, tutorial rooms	300	19	80	Lighting should be controllable
Classrooms for evening classes and adults education	500	19	80	Lighting should be controllable
Lecture hall	500	19	80	Lighting should be controllable
Black board	500	19	80	Prevent specular reflections
Demonstration table	500	19	90	In the reading halls 750 lx
Art rooms	500	19	80	
Art rooms in art school	750	19	80	Tcp ≥ 5000 K
Technical drawing rooms	750	19	80	
Practical rooms and laboratories	500	19	80	
Handicraft rooms	500	19	80	
Teaching workshop	500	19	80	
Music practice rooms	300	18	80	
Computer practice rooms (menu driven)	300	19	80	
Language laboratory	300	19	80	
Preparation rooms and workshops	500	22	80	
Entrance halls	200	22	80	
Circulation areas and corridors	100	25	80	
Stairs	150	25	80	
Student common rooms and assembly halls	200	22	80	
Teachers room	300	19	80	
Library: bookshelves	200	19	80	
Library: reading areas	500	19	80	
Stock rooms for teaching materials	100	25	80	
Sport halls, gymnasiums, swimming pools (general use)	300	22	80	For more specific activities, the requirements of EN 12193 shall be used
School canteens	200	22	80	
Kitchens	500	22	80	
7.1				
<b>Rooms for general use</b>				
Type of interior, task or activity	Em (lx)	UGRL	Ra	Remarks
Waiting rooms	200	22	80	All illuminance at floor level
Corridors: during the day	200	22	80	All illuminance at floor level
Corridors: during the night	50	22	80	All illuminance at floor level
Day rooms	200	22	80	All illuminance at floor level
7.2				
<b>Staff rooms</b>				
Type of interior, task or activity	Em (lx)	UGRL	Ra	Remarks
Staff offices	500	19	80	
Staff rooms	300	19	80	
7.4				
<b>Examinations rooms (general)</b>				
Type of interior, task or activity	Em (lx)	UGRL	Ra	Remarks
General lighting	500	19	90	
Examinations and treatment	1000	19	90	
7.5				
<b>Eye examination rooms</b>				
Type of interior, task or activity	Em (lx)	UGRL	Ra	Remarks
General lighting	300	19	80	
Examination of the outer eye	1000		90	
Reading and colour vision tests with vision charts	500	16	90	
7.6				
<b>Ear examination rooms</b>				
Type of interior, task or activity	Em (lx)	UGRL	Ra	Remarks
General lighting	300	19	80	
Ear examination	1000		80	
7.7				
<b>Scanner rooms</b>				
Type of interior, task or activity	Em (lx)	UGRL	Ra	Remarks
General lighting	300	19	80	
Scanners with image enhancers and television system	50	19	80	
7.12				
<b>Dentists</b>				
Type of interior, task or activity	Em (lx)	UGRL	Ra	Remarks
General lighting	500	19	90	Lighting should be glare-free for the patient
At the patient	1000		90	
Operation cavity	5000		90	Values higher than 5000lx may be required
White teeth matching	5000		90	cp ≥ 6000 K
7.13				
<b>Laboratories and pharmacies</b>				
Type of interior, task or activity	Em (lx)	UGRL	Ra	Remarks
General lighting	500	19	80	
Colour inspection	1000	19	90	Tcp ≥ 6000 K
8.1				
<b>Airports</b>				
Type of interior, task or activity	Em (lx)	UGRL	Ra	Remarks
Arrival and departures halls, baggage claim areas	200	22	80	
Connecting areas, escalators, travelators	150	22	80	
Information desks, check-in desks	500	19	80	
Customs and passport control desks	500	19	80	Vertical illuminance is important
Waiting areas	200	22	80	
Luggage store rooms	200	25	80	
Security check areas	300	19	80	
Air traffic control tower	500	16	80	1.Lighting should be dimmable 2.Glare from daylight shall be avoided 3.Avoid reflections in windows, especially at night
Testing and repair hangars	500	22	80	
Engine test areas	500	22	80	
Measuring areas in hangars	500	22	80	

wattage W	mm	Condens. 250V µ F	Temperat. colour K	Tolerance +/-K	Chrom. yield R <sub>s</sub>	Gr. yield colour	lamp socket	ILCOS lum.	Lm/m <sup>2</sup>	luminance lumen	flux
<b>Fluorescent linear T8 Ø 26 mm - FL</b>											
18	26 x 590	5	2700/6000				G13	FD	75lm/w	1.0cd/cm <sup>2</sup>	1350
30	26 x 895	5	2700/6000				G13	FD	78lm/w	1.1cd/cm <sup>2</sup>	2350
36	26 x 1200	5	2700/6000				G13	FD	93lm/w	1.2cd/cm <sup>2</sup>	3350
58	26 x 1500	7	2700/6000				G13	FD	89lm/w	1.5cd/cm <sup>2</sup>	5200
<b>Fluorescent linear T5 Ø 16 mm - FL lamps characteristics: FQ Osram and HO Philips</b>											
14	16 x 550	-	3000/6000				G5	FD	96lm/w	1.7cd/cm <sup>2</sup>	1250
21	16 x 850	-	3000/6000				G5	FD	100lm/w	1.7cd/cm <sup>2</sup>	1950
28	16 x 1150	-	3000/6000				G5	FD	104lm/w	1.7cd/cm <sup>2</sup>	2650
35	16 x 1450	-	3000/6000				G5	FD	104lm/w	1.7cd/cm <sup>2</sup>	3350
<b>Fluorescent linear T5 Ø 16 mm - FL lamps characteristics: FQ Osram and HO Philips</b>											
24	16 x 550	-	3000/6000				G5	FD	83lm/w	2.5cd/cm <sup>2</sup>	1750
39	16 x 850	-	3000/6000				G5	FD	90lm/w	2.8cd/cm <sup>2</sup>	3100
49	16 x 1450	-	3000/6000				G5	FD	93lm/w	2.9cd/cm <sup>2</sup>	4350
54	16 x 1150	-	3000/6000				G5	FD	93lm/w	2.9cd/cm <sup>2</sup>	4450
80	16 x 1450	-	3000/6000				G5	FD	88lm/w	3.2cd/cm <sup>2</sup>	6550
Since the Ø of the new T5 lamps is 16 mm, they permit: more compact fixtures, more accurate aiming of the light, higher luminous efficiency for fixtures, lower installed power with the same level of lighting, fixtures that are perfectly adaptable for normal false ceilings, higher efficiency in relation to the temperatures (optimum operation at 35°C). The consequent use of electronic power also permits greater efficiency and a longer life for the lamps, no flickering. T5 lamps are divided into two groups: FH - HE = * high luminous efficiency and consequent low consumption of energy * no problem on minimising glare because luminance values are the same for all lamp sizes and similar to those for T8 lamps, * ideal for lighting interiors such as offices, open-space areas or any area with normal installation heights (approx. 3/4 m) FQ - HO = * luminous efficiency and consequent energy savings lower than the above * high lamp luminance values with consequent problems on minimising glare * high light fluxes * ideal for lighting areas with greater installation heights (approx. 6/8 m) or with direct/indirect fixtures											
<b>Compact fluorescent - FLC S</b>											
5	34 x 20 x 108	2.2	2700/4000				G23	FSD		2.5cd/cm <sup>2</sup>	250
7	34 x 20 x 138	2.1	2700/4000				G23	FSD		2.6cd/cm <sup>2</sup>	400
9	34 x 20 x 168	2	2700/4000				G23	FSD		2.8cd/cm <sup>2</sup>	600
11	34 x 20 x 238	1.7	2700/4000				G23	FSD		2.7cd/cm <sup>2</sup>	900
<b>Compact fluorescent - FLC S/E</b>											
5	34 x 20 x 108	2.2	2700/4000				2G7	FSD		2.5cd/cm <sup>2</sup>	250
7	34 x 20 x 138	2.1	2700/4000				2G7	FSD		2.6cd/cm <sup>2</sup>	400
9	34 x 20 x 168	2	2700/4000				2G7	FSD		2.8cd/cm <sup>2</sup>	600
11	34 x 20 x 238	1.7	2700/4000				2G7	FSD		2.7cd/cm <sup>2</sup>	900
<b>Compact fluorescent - FLC D</b>											
10	34 x 34 x 110	2.2	2700/4000				G24d-1	FSQ		4cd/cm <sup>2</sup>	600
13	34 x 34 x 138	1.8	2700/4000				G24d-1	FSQ		4cd/cm <sup>2</sup>	900
18	34 x 34 x 153	2.2	2700/4000				G24d-2	FSQ		4.5cd/cm <sup>2</sup>	1200
26	34 x 34 x 172	3.2	2700/4000				G24d-3	FSQ		5.5cd/cm <sup>2</sup>	1800
<b>Compact fluorescent - FLC D/E</b>											
10	34 x 34 x 103	2.2	2700/4000				G24q-1	FSQ		4cd/cm <sup>2</sup>	600
13	34 x 34 x 131	1.8	2700/4000				G24q-1	FSQ		4cd/cm <sup>2</sup>	900
18	34 x 34 x 146	2.2	2700/4000				G24q-2	FSQ		4.5cd/cm <sup>2</sup>	1200
26	34 x 34 x 165	3.2	2700/4000				G24q-3	FSQ		5.5cd/cm <sup>2</sup>	1800
<b>Compact fluorescent - FLC T e T IN</b>											
13	49 x 45 x 113	2.3	2700/4000				Gx24d-1	FSM		4 cd/cm <sup>2</sup>	900
18	49 x 45 x 123	2.3	2700/4000				Gx24d-2	FSM		4.7cd/cm <sup>2</sup>	1200
26	49 x 45 x 138	3.2	2700/4000				Gx24d-3	FSM		6cd/cm <sup>2</sup>	1800
<b>Compact fluorescent - FLC T/E e T/E IN</b>											
18	49 x 45 x 116	2.3	2700/4000				Gx24q-2	FSM		4.7cd/cm <sup>2</sup>	1200
26	49 x 45 x 131	3.2	2700/4000				Gx24q-3	FSM		6cd/cm <sup>2</sup>	1800
42	49 x 45 x 147	3.2	2700/4000				Gx24q-4	FSM		8cd/cm <sup>2</sup>	3200
70	49 x 45 x 219		2700/4000				Gx24q-6	FSM		8cd/cm <sup>2</sup>	5200
<b>Compact fluorescent - FLC L</b>											
18	44 x 23 x 217	4.2	2700/4000				2G11	FSD		1.5cd/cm <sup>2</sup>	750
24	44 x 23 x 317	3.6	2700/4000				2G11	FSD		1.6cd/cm <sup>2</sup>	1200



wattage W	mm	Condens. 250V $\mu$ F	Temperat. colour K	Tolerance +/-K	Chrom. yield R <sub>a</sub>	Gr. yield colour	lamp socket	ILCOS lum.	Lm/m <sup>2</sup>	luminance lumen	flux
36	44 x 23 x 411	4.4	2700/4000				2G11	FSD		1.8cd/cm <sup>2</sup>	1900
40	44 x 23 x 533	-	2700/4000				2G11	FSD		1.6cd/cm <sup>2</sup>	2200
55	44 x 23 x 533	-	2700/4000				2G11	FSD		2.1cd/cm <sup>2</sup>	4800
<b>Compact fluorescent - FLC EL</b>											
15	Ø 45 x 143	-	*				E27	FB			900
20	Ø 45 x 156	-	*				E27	FB			1200
23	Ø 45 x 173	-	*				E27	FB			1500
<b>Compact fluorescent FLC - EL R - Compact fluorescent EL with reflector</b>											
20	123 x 184		2700				E27	FB			5000
<b>Tubular halogen 230V - ALO E27</b>											
100	32 x 105										
150	32 x 105										
<b>Halogen dichroic Ø 51</b>											
20 / 38°	Ø 51 x 45	-	3100				GX5,3	HR			510
50 / 38°	Ø 51 x 45	-	3100				GX5,3	HR			1050
65 / 38°	Ø 51 x 45	-	3100				GX5,3	HR			1500
<b>Halogen dichroic Ø 51 - IRC (more light, lower consumption)</b>											
35 / 38°	Ø 51 x 45	-	3100				GU5,3	HR			1100
50 / 38°	Ø 51 x 45	-	3100				GU5,3	HR			1800
<b>Halogen dichroic PAR30 reflector</b>											
75	90.5 x 92	-	3000				E27	IPAR			
<b>Halogen with shielded lamp and aluminium reflector - AR70</b>											
50	Ø 70 x 50	-	3000				B15-d	HI	7700		
75	Ø 70 x 50	-	3000				B15-d	HI	12500		
<b>Halogen 2 pin 12V - ALO G4</b>											
20	9 x 5										
<b>Halogen 2 pin 12V - ALO GY 6,35</b>											
50	12 x 44										
100	12 x 44										
<b>Halogen dichroic 230V Ø 51 mm - ALO50 230V</b>											
50	51 x 51										
<b>Halogen 12V Ø 111 mm with shielded lamp and aluminium reflector - AR 111</b>											
50 / 24°	111 x 45/50										4000
75 / 24°	111 x 45/50										5300
<b>Halogen 12V Ø 111 mm with shielded lamp and aluminium reflector - AR 111 /IRC</b>											
35 / 24°	111 x 45/50										4000
50 / 24°	111 x 45/50										5300
<b>Linear halogen 230V - ALO R7s</b>											
150	12 x 114										
300	12 x 114										
<b>Metal halogen JM o CDM</b>											
70 - TS EXC.- HCI-TS 70W/WDL	20 x 114	12	3000	300			1B	Rx7s	MD	92lm/w	6000
150 - TS EXC. - HQI-TS 150W/WDL	23 x 132	20	3000	300	>80		1B	Rx7s	MD	78lm/w	12000
70 - TS - HCI-TS 70W/WDL	20 x 114	12	3000	300			1B	Rx7s	MD	92lm/w	5700
35 - T - HCI-T 35W/WDL	19 x 56	83	3000				1B	G12	MT	90lm/w	3600
70 - T - HCI-T 70W/WDL	19 x 56	12	3000	300			1B	G12	MT	94lm/w	6700
150 - T - HCI-T 150W/WDL	25 x 56	20	4200	300			1B	G12	MT	100lm/w	15500
250 - T - HCI-T 250W/WDL	84 x 56	32	3000	300			1B	E40	MT	105lm/w	25000
35 - TC - HCI-TC 35W/WDL	15 x 52	12	3000	300			1B	G8,5	MT	85lm/w	3300

wattage W	mm	Condens. 250V $\mu$ F	Temperat. colour K	Tolerance +/-K	Chrom. yield R <sub>a</sub>	Gr. yield colour	lamp socket	ILCOS lum.	Lm/m <sup>2</sup>	luminance lumen	flux
70 - TS - HQI-TS 70W/WDL	20 x 114	12	3000	300		1A	Rx7s	MD	71lm/w		5000
70 - TS - HQI-TS 70W/NDL	20 x 114	12	4000	300	>80	1B	Rx7s	MD	76lm/w		5500
150 - TS - HQI-TS 150W/NDL	23 x 132	20	4200	300	>80	1B	Rx7s	MD	80lm/w		12000
150 - TS - HQI-TS 150W/WDL	23 x 132	20	3000	300	>80	1B	Rx7s	MD	78lm/w		11700
250 - TS - HQI-TS 250W/NDL	25 x 163	32	4200	300	>80	1B	Fc2	MD	80lm/w		20000
250 - TS - HQI-TS 250W/WDL	25 x 163	32	3200	300	>80	1B	Fc2	MD	89lm/w		22000
35- CDM-R111 35W	95 x 111		3000		81	1B	GX 8,5	MT			1350
70- CDM-R111 70W	95 x 111		3000		84	1B	GX 8,5	MT			2850
20- CDM-R Mini Elite 20W	50 x 59		3000		85	1B	GX 10	MR			1080
35 - CDM-R Mini Elite 35W	50 x 59		3000		85	1B	GX 10	MR			3300
35- PAR 20 - CDM-R 35W/WDL	65 x 95		3000		81	1B	E 27				2000
35- T - CDM-T 35W/WDL	20 x 100	12	3000	200	81	1B	G12	MT	87lm/w		3300
35- T - CDM-T Elite 35W	15 x 85	12	3000	200	90	1B	G12	MT	90lm/w		3900
70 - T - CDM-T 70W/WDL	20 x 100	12	3000	200	81	1B	G12	MT	92lm/w		6600
70 - T - CDM-T Elite 70W	15 x 85	12	3000	200	90	1B	G12	MT	97lm/w		7800
70 - T - CDM-T 70W/NDL	20 x 100	12	4200	200	92	1A	G12	MT	92lm/w		6600
100 - T - CDM-T Elite 100W/WDL	20 x 100		3000	200	90	1A	G12	MT			11000
150 - T - CDM-T 150W/WDL	20 x 110	20	3000	200	95	1B	G12	MT	95lm/w		14000
20 - T - CDM-TM 20W	17 x 52	10	3000	200	85	1B	PGJ5		95lm/w		1650
35 - TC - CDM-TC Elite 35W/WDL	15 x 85		3000		90	1A	G8,5	MT	90lm/w		3500
70 - TC - CDM-TC Elite 70W/WDL	15 x 85		3000		90	1A	G8,5	MT	97lm/w		7300
70 - TS - CDM-TD 70W/WDL	21 x 117	12	3000	200	82	1B	Rx7s	MD	93lm/w		6500
70 - TS - CDM-TD 70W/NDL	21 x 117	12	4200	200	92	1A	Rx7s	MD	81lm/w		5700
150 - TS - CDM-TD 150W/WDL	24 x 135	20	3000	200	88	1B	Rx7s	MD	88lm/w		13250
150 - TS - CDM-TD 150W/NDL	24 x 135	20	4200	200	96	1A	Rx7s	MD	94lm/w		14200
70 - MHN-TD Pro - 70W	21 x 118	12	4200	300	80	1B	Rx7s	MD	81lm/w		5700
150 - MHN-TD Pro - 150W	24 x 135	20	4200	300	85	1B	Rx7s	MD	86lm/w		12900
250 - MHN-TD Pro - 250W	21 x 165	32	4200	300	85	1B	FC2	MD	80lm/w		20000
70 - MHW-TD Pro - 70W	21 x 118	12	3000	300	75	2B	Rx7s	MD	88lm/w		6200
150 - MHW-TD Pro - 150W	24 x 135	20	3000	300	75	2B	Rx7s	MD	92lm/w		13800
35- T - CMH-T 35W	15 x 85	12	3000	200	84	1B	G12	MT	120lm/w		3400lm
70- T - CMH-T 70W	15 x 85	12	3000	200	83	1B	G12	MT	120lm/w		6200lm
150- T - CMH-T 150W	15 x 85	12	3000	200	80	1B	G12	MT	120lm/w		14000lm

## 12W dimmable LED Bulb

Very well-suited for the general lighting of public and reception spaces, especially lobbies, corridors or stairways, where lights stay on all day.

BULB	ALO
12W	60W
25.000h	1000h



## Integrated LED Fortimo

- Driver (230V AC), built-in optics and heat sink
- High quality light with excellent colour rendering (CRI > 80)
- Available in 2700, 3000 and 4000 colour temperature
- Available with 15, 24 and 36° beam angles
- High energy-efficiency combined with long service life (> 25,000 hours).

## LED 7 - 8 W, chip SHARP

- High light output
- More than 50,000 hours service life
- Lower lamp wattages means greater economy, more than 80% saving
- Compatible with the most common dimming devices (for example, with halogen lights)
- Fully assembled and ready to be installed
- 8W LED, SHARP chip

**MASTERLED:** particularly suited for public spaces where lights stay on all day, **40,000** hours of lifespan, and 80% energy saving compared to ALO 35W.

**ESALED:** high efficiency type, with heat sink, longer working life, Ra 80 index.

**On request:** Ra index >90.

## FORTIMO LED TWIST

Guaranteed performance and proven system reliability.

- Resa Cromatica 80
- Colour rendering : 80 Ra
- No UV emissions
- Long service life
- Three colour temperatures: 2700K/3000K/4000K
- Low energy consumption: up to 60% less energy consumed compared to halogen lamps
- Easy to replace and upgrade. No need to remove the reflector or open the ceiling to replace the LED modules.
- Lifetime rated at 25,000 hours (70% lumen maintenance), hence reducing maintenance.
- Dimmable
- High energy-efficiency
- Great colour consistency and quality
- Homogenous light beam

## FORTIMO LED DLM

Unprecedented energy-saving for general lighting applications

- Colour rendering : 80 Ra
- No UV emissions
- Long service life: 50,000 hours
- Two colour temperatures: 3000K/4000K
- Quality and even colour rendering over time
- Quick connection
- Thermal protection
- Dimmable option
- High energy-efficiency
- Great colour consistency and quality
- Homogenous light beam

## FORTIMO LED SLM

Quality light output with minimum maintenance

- Colour rendering > 80 Ra
- No UV emissions
- Long service life
- Two colour temperatures: 3000K/4000K
- Excellent luminous flux maintenance: 70%
- Integrated LED
- Great colour consistency and quality
- Homogenous light beam

## 6.5W Power LED DIMM GU10

- 50W halogen equivalent
- Dimmable
- 25,000 hours life (L70)
- Mercury free
- 35° beam angles

## LED 7W:

- Souplesse d'emploi et lumière de qualité.
- Large plage de températures
- Longue durée de vie (50 000h) et un excellent maintien du flux lumineux.

## PL-R Eco 17W = FLC 26W

**Energy saving=** it uses **25%** less power compared to standard compact fluorescent lamps and has a longer life span (24,000 hours); the new rotating connector enables easy installation.

## CDM Elite Lamps DIMM:

- Maintenance cost reduction
- 10% increase in energy efficiency in contrast with traditional lamps
- Excellent colour rendering (Ra 90)
- Improved light levels (twice as powerful)

ELITE LIGHT BOOST	100%	50%
Lumen	7800	3500
Lm/W	106	93
Dimm speed	100% → 65% 1 sec.	65% → 50% 60 sec.
Boost speed	50% → 100% 1 sec.	

## CDM Elite Lamps:

- suitable for shopping centres, ideal for enhancing the goods displayed.
- Maintenance cost reduction
- 10% increase in energy efficiency in contrast with traditional lamps
- Excellent colour rendering (Ra 90)
- Improved light levels (twice as powerful)

**CDM-TC Elite 50W: 25% longer lifespan, 30% energy saving and lower power consumption compared to Elite 70W**

Meet the new generation of lamps for supermarkets: the exclusive CDM-T Fresh! With up to 50% less energy consumption, CDM Fresh is a further improvement of accent lighting to make food products even more appealing and irresistible.

CDM Fresh



## PL•TXtra lamps:

- Very long lifespan
- Less early failures thanks to easier replacement
- Excellence performance for both long and short operation periods
- More light (about 15%) for light points compared to other commonly used technology

PL-T Extra 4pin 42W



**CDM-R** lamps are designed for decorative illumination. The energy consumption and heat production are reduced by at least 66%. Lamps life is up to 4 times more than using a halogen lamp (11000h average life).



**CDM-R Mini** saves up to 60% more energy than halogen lamps. It offers higher energy yield and excellent colour stability.



**CDM Rm Elite Mini** lamps are the perfect blend of excellent quality light and low lifetime costs. The wide range of light beam angles, lends this product to many different applications, including open fixtures.



**DICR-IRC** power saving lamps provide a luminous efficiency 30% higher than conventional DICR ("ES" - Energy saver) lamps; therefore: more light, lower consumption. Energy saving: **LONG LIFE! (50W = 35W IRC)**



**ALO-IRC** power saving lamps provide a luminous efficiency 30% higher than conventional ALO lamps; therefore: more light, lower consumption.



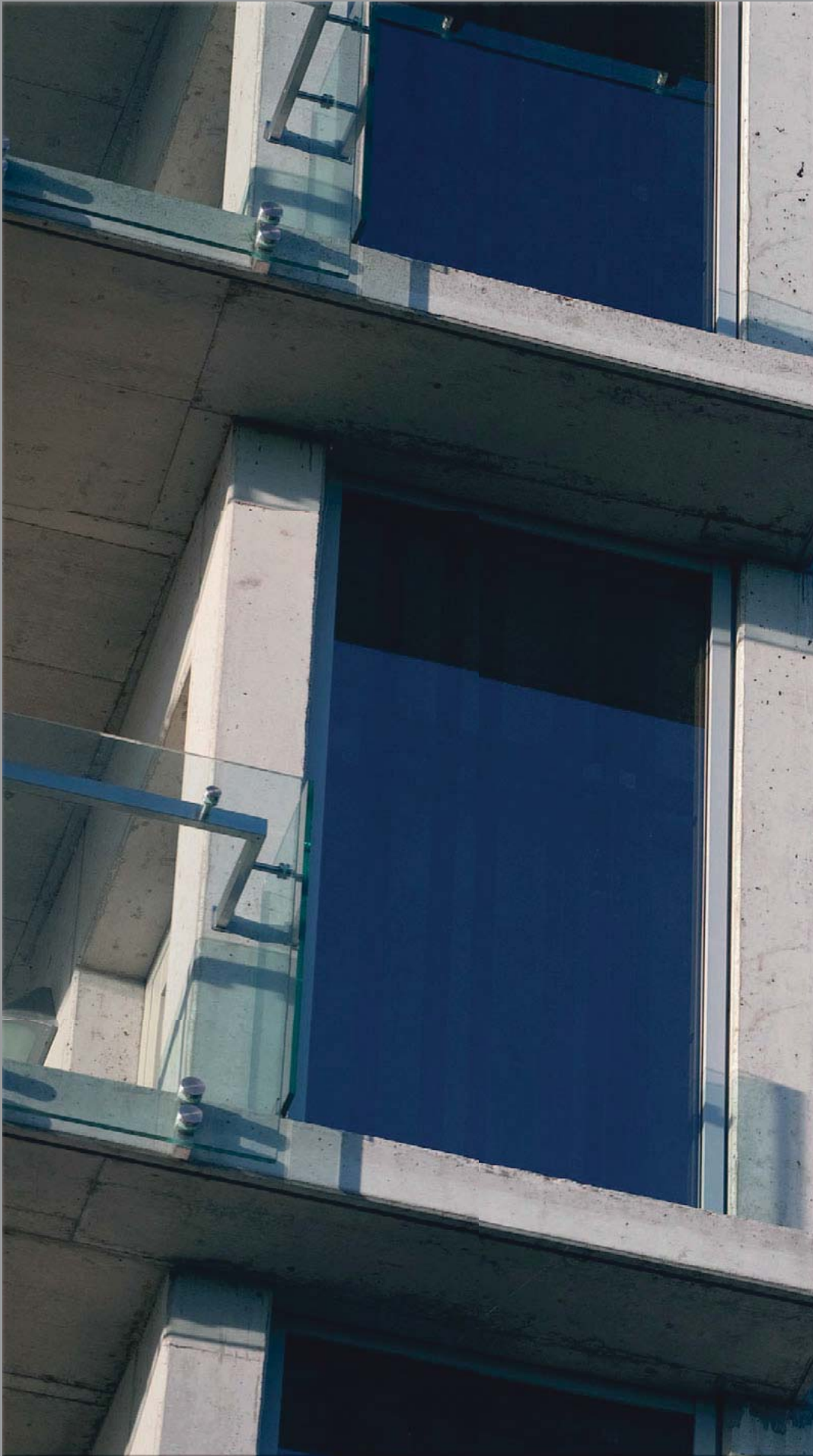
**AR111-IRC** power saving lamps provide a luminous efficiency 33% higher than conventional AR111 lamps; therefore: more light, lower consumption. Energy saving = **LONG LIFE**

## Excellence Lamps:

This product is an innovative development of the successful TS lamps in a new design. It can be used as direct replacements for obsolete lamps. Lamps are compact, UV-reduced and double ended.

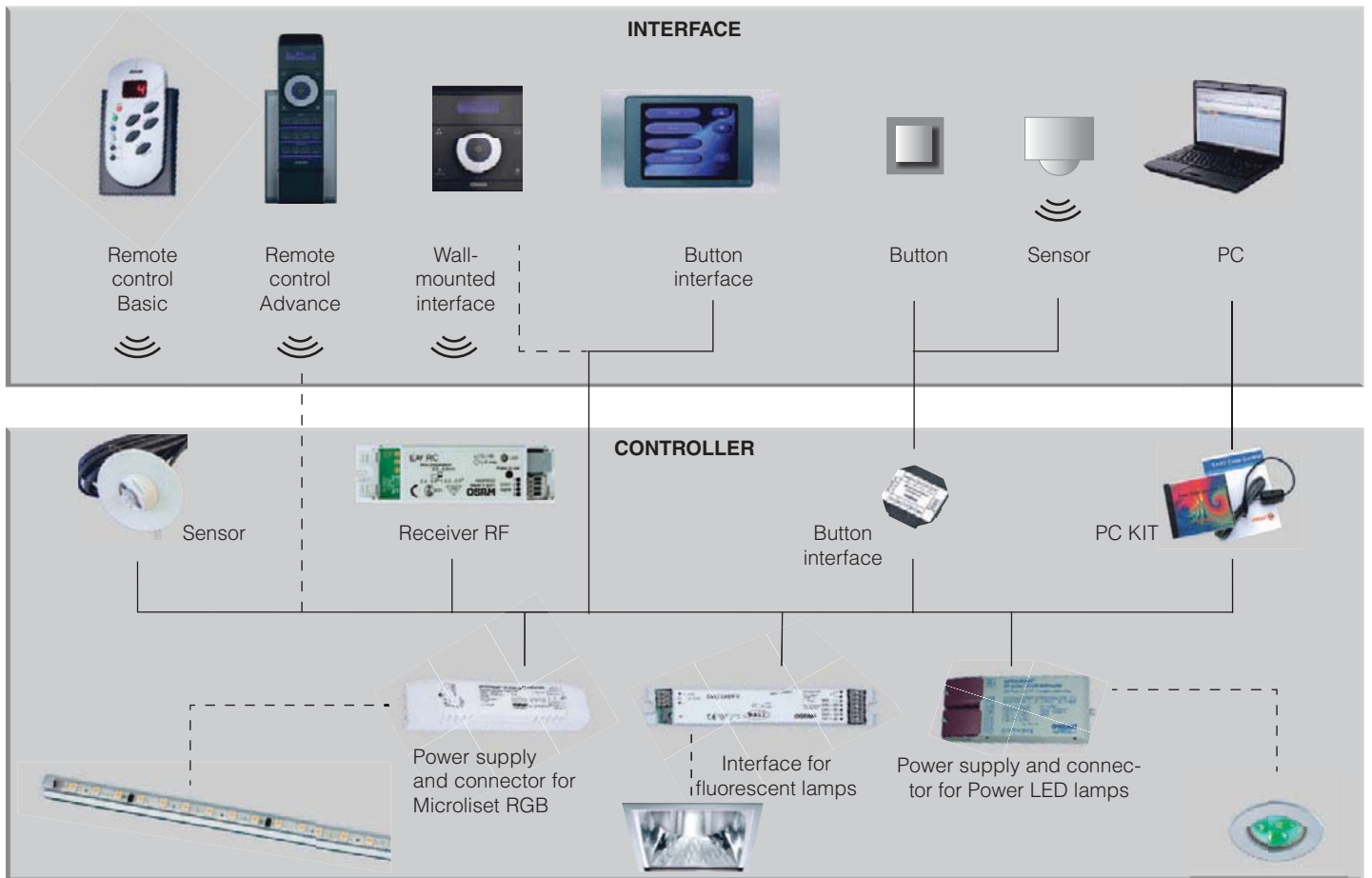
- High efficiency
- Uniform distribution of light
- High luminous flux
- Excellent colour rendering





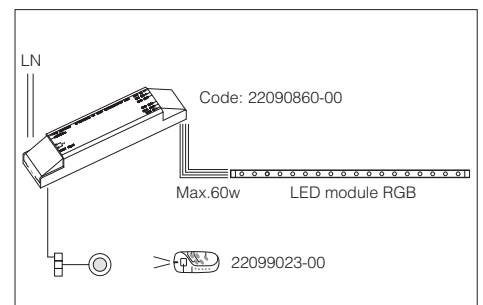
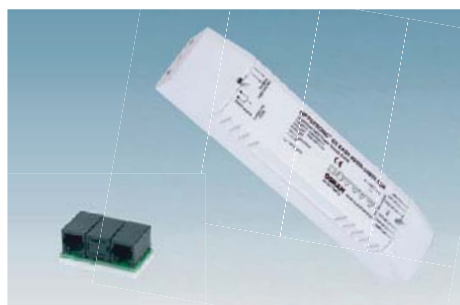
Creating a system equipped with high efficiency light control devices able to fulfil all technical requirements can be more complex than one can imagine. Furthermore, if your installation proves to be a complex matter, every effort made during the planning phase would invane. Fosnova can help you make the different using smart systems which minimize energy waste and maximize efficiency. Increased mobility and interaction now enable many people to work in more dynamic environments. Lights are often left on unnecessarily during the day, for instance when people are not at their desk. This substantially increases energy costs as a whole. Creating a flexible lighting system which optimises energy efficiency may represent a challenge. A wide range of options is however available thanks to light control systems suited to different needs.

General lighting adjustment configuration. For further information, please contact our office.



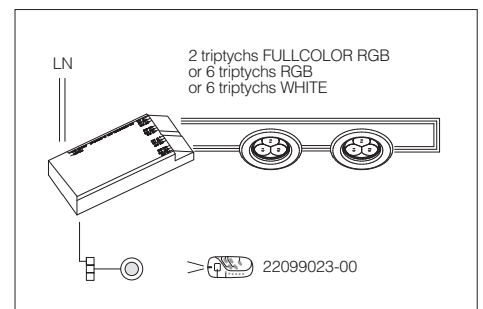
Power supply and connector for Microliset RGB	
wattage/W	code
max 60W	22090860-00

Power supply for linear LED modules equipped with connector. Power max 60W.  
**Compatible with the following products:**  
 - Microliset  
 - Venere (built-in)  
 - Navigator (built-in)



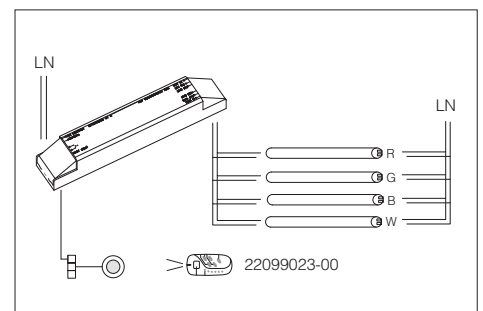
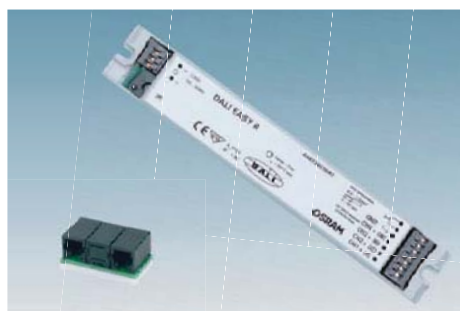
Power supply and connector for Power LED	
wattage/W	code
max 32W	22090869-00

Power supply for three-lens LED modules equipped with connector. Power max 32W.  
**Compatible with the following products:**  
 - Janus, Sylon  
 - Deimos, Sirio, M45, M60, Q45



Interface for fluorescent lamps	
code	
22090864-00	

Interface to integrate fluorescent and LED lamps into the same fixture. Max 30 DALI ballasts.  
**Compatible with the following products:**  
 - Office, Energy 2000, Milano, Rond, etc.



DALI ballast acc. 581 required for each Touch Panel. Main characteristics:  
 High resolution 3.5 LCD colour screen  
 Wide range of backgrounds and buttons  
 Up to 500 screens with different functions can be programmed. Automatic settings can be programmed at given time intervals  
 Protection password to avoid unwanted access

Integrated IR receiver  
 Includes a recessed box 503.



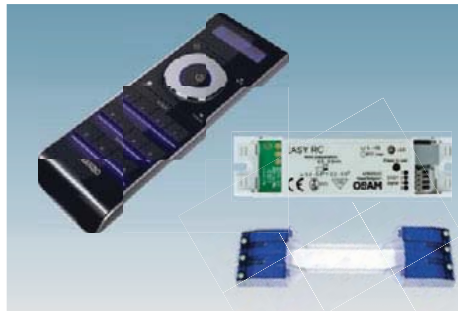
Touch Panel	
colour	code
black	22986529-00

IR remote controller to allow you to configure and manage control units. Power supply and connector for Microliset RGB, and power supply and connector for Power LED.  
 - 4 groups, 1 dynamic lighting scene, start/stop.  
 Possibility to configure speed rates and colours for four different lighting scenes.



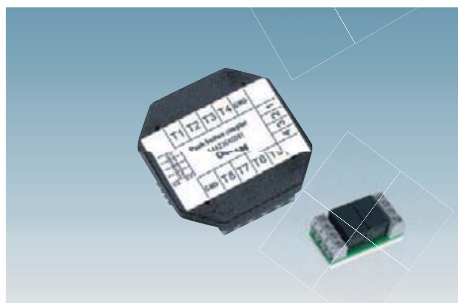
Basic Remote control	
colour	code
white	22099023-00
It works at a distance of up to 10/15 m. Purchase IR receiver separately with code 22099050-00.	

IR remote controller to allow you to configure and manage control units. Power supply and connector for Microliset RGB, and power supply and connector for Power LED.  
 - 8 groups, 4 dynamic lighting scenes, start/stop  
 - Possibility to configure speed rates and colours for four different lighting scenes.  
 Capacitive click wheel for real-time colour setup.



Receiver IR	
22099050-00	

Release button coupling to allow communication with control units. Power supply and connector for Microliset RGB, and power supply and connector for Power LED.  
 - It allows you to enable standard release buttons in order to control groups and scenes, starters, central dimming, and sequencer start/stop functions.  
 - Can be connected to movement sensors or timer switches.  
 Can be connected to the main system via up to 2 electric couplings.



KIT Advance Remote control	
colour	code
black	22099030-00
Complete with RF receiver and installation kit for false-ceiling mounting.	

Manual interface for wall-mounted installation to allow you to configure and manage control units. Power supply and connector for Microliset RGB, and power supply and connector for Power LED.  
 - Up to 8 channels, 8 lighting scenes and 4 sequences  
 - It transmits signals to the receiver via radio frequency.  
 Can also be connected directly to the bus network via cable. External 24VDC connection must be included.



KIT Button interface	
	code
	22090910-00
To be integrated into standard button panels (not included in the supply).	

Software to allow you to configure control units. Power supply and connector for Microliset RGB, and power supply and connector for Power LED.  
 Easy-to-read graphical interface to allow you to configure light sequences or static lighting scenes with preview function.  
 Supplied with USB cable adapter and exhaustive user manual.  
 System requirements: Windows XP, 2000, USB port.



KIT Wall-mounted interface	
colour	code
black	22090920-00
Complete with RF receiver and installation kit for false-ceiling mounting.	

PC KIT	
	on request



**PL1**

This product offers the best combination of top comfort, high energy savings and up to 75% lower CO2 emissions. PL1 installed in offices, classrooms, etc. allows lights to be automatically turned on or off based on room occupancy, minimizing the use of artificial light when sufficient daylight (natural light) is available. Regulation kit with light and/or movement detection multi-sensor to control 1-10V dimmable ballasts (**max. 32**).

A normally open switch (not included in the kit) will provide ON-OFF control and set the desired lighting level. It can be combined with up to 4 multi-sensors.

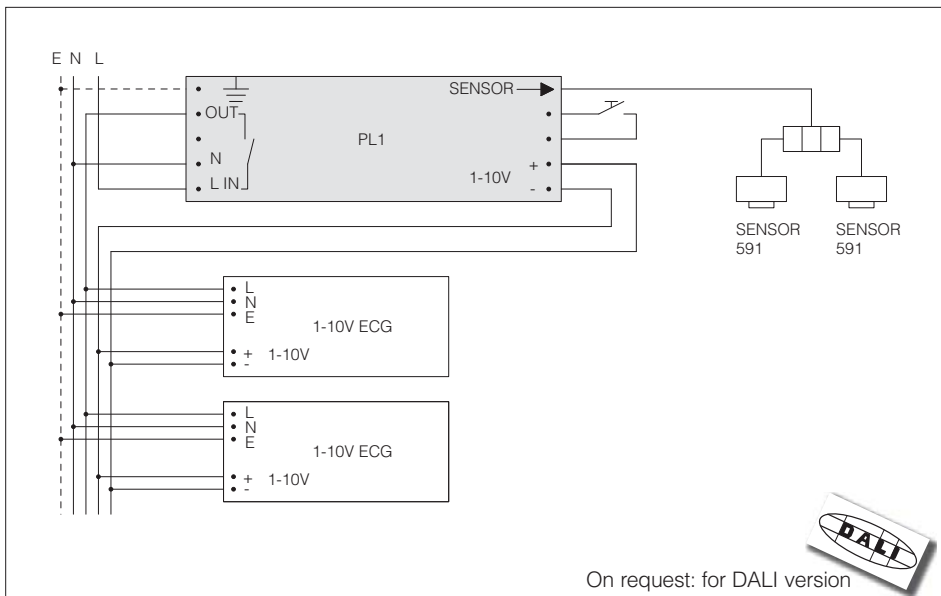
Installation height: max. 3 m  
Coverage area: (ø 7 m)

Please order 1/10V dimmable ceiling fixture using subcode 12, 94 or 1241, 9441 (DALI).



1 - 10V

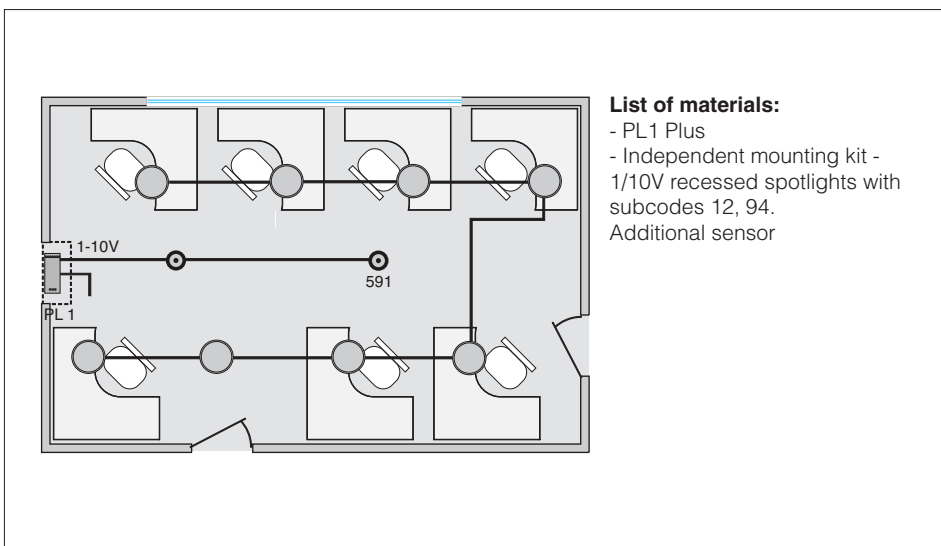
Power supply PL1	
colour	code
white	22986548-00



acc. Box for separate installation	
colour	code
white	22986581-00
To be used for false ceiling installation.	

acc. Multi-sensor	
colour	code
white	22986584-00
Additional sensor for wider area control (only presence sensor).	

acc. Multi function connector	
code	code
	22986586-00
To be used with an additional multi- sensor for kit PL1.	

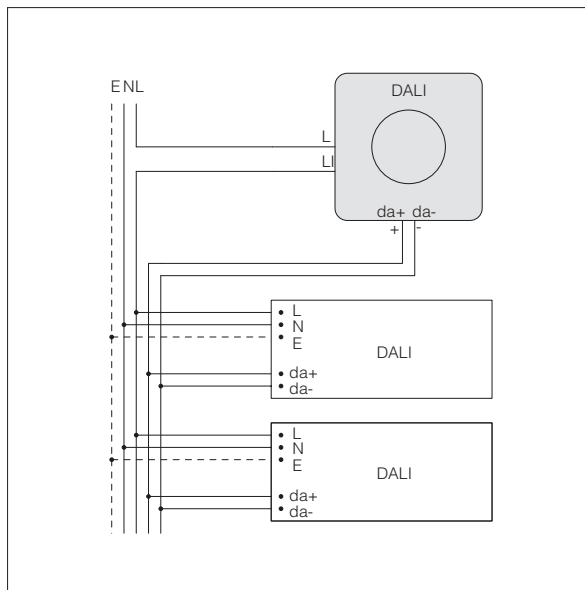


**List of materials:**

- PL1 Plus
- Independent mounting kit - 1/10V recessed spotlights with subcodes 12, 94.
- Additional sensor



Manual regulation kit control for than most of the light sources thanks to DALI (**1 or 2 DALI MCU active and up to 2 passive = DALI MCU operating up to 4 points**). With 2 DALI MCU, you can control up to 50 DALI devices.

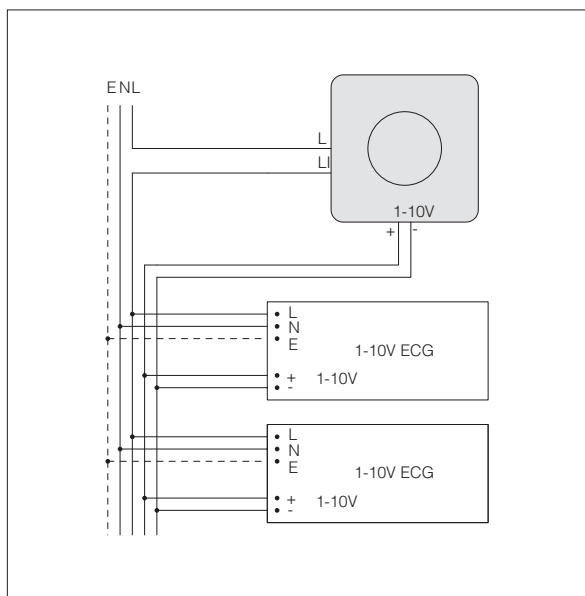


M3 - manual	
colour	code
white	22986545-1241

Rotary manual potentiometer to control the light level of adjustable lighting fixtures with 1/10V (HFR) ballasts.

Built-in micro switch for power control.

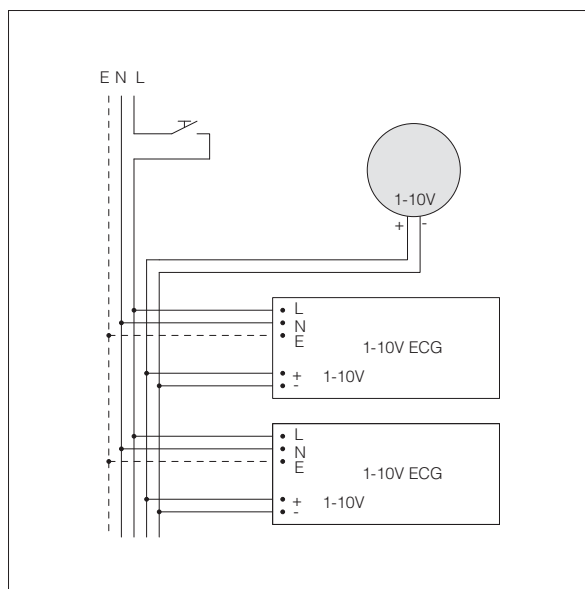
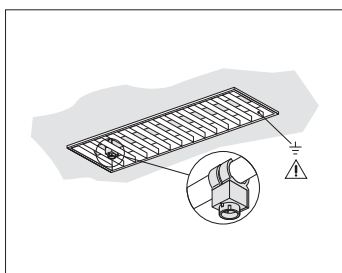
- Analog 1/10V dimming.
- Up to 150 fluorescent lamps equipped with adjustable 1/10V dimmers.
- Built-in micro switch 250 Vac, max 1A.
- Rotary cursor with limit switch to disable the micro switch.
- Plug & play system, no configuration needed.
- Technical assistance for operation: end-user.
- Mounting: wall mounting or recessed in 502 standard box.



M2 - manual	
colour	code
white	986545-00

Automatic regulation kit for dimmable ballast 1-10V (**max. 20**) applicable directly on fluorescent tube T5 (upon request T8). Automatic ON/OFF function not available. The function can be activated using an external switch (not included in the kit). Recommended for open lighting fixtures.

Height of installation: max. 3,5 m  
Area covered: ø7 m



A1 - automatic	
colour	code
grey	22986590-00

Code Fosnova	px n° pack	page
2200240000	1	431
2200240100	1	431
2200240200	1	418
2200310600	10	9-101-385
2200310700	5	9-101-385
2200311900	1	9
2200313900	1	9
2200316600	10	9-101-117-348-356-368-379-382-385-428
2200317100	10	101-348-379-385
2200317300	5	101-348-379-382-385-428
2200317400	1	348-382
2200317500	1	348
2200317600	1	348-382
2200317700	1	348
2200317800	5	428
2200318600	10	9-101-385
2200318700	5	9-101-385
2200326500	1	395
2200416600	10	425
2200521900	1	133
2200522000	1	133
2200522100	1	133
2200522200	1	133
2200522600	1	9-348-385
2200522700	1	57-64
2200522800	1	57-64-92
2200522900	1	133
2200523000	1	133-136-146
2200523100	1	133-136
2200523200	1	57-64-93-133
2200524500	1	137-443
2200524600	1	133-136-146
2200524800	1	133-136-146
2200524900	1	133-136-146
2200525000	1	133-136-146
2200525300	1	149
2200525400	1	149
2200525500	1	149
2200525600	1	149
2200525700	1	149
2200525800	1	149
2200526000	1	137-443
2200526100	1	137-443
2200526200	1	137-443
2200526300	1	137-443
2200526400	1	137-443
2200526500	1	120
2200526600	1	120
2200526700	1	120
2200526800	1	120
2200527400	1	62-68
2200527600	1	147
2200527700	1	133
2200527800	1	133-136
2200532000	1	443
2200532100	1	277
2200533000	1	137-443
2200533100	1	277
2200533400	1	137
2200533500	1	137-443
2200533600	1	136
2200533800	1	136
2200533900	1	136
2200534000	1	136
2200537000	1	137-443
2200538300	1	348
2200538400	1	379
2200538500	1	379

Code Fosnova	px n° pack	page
2200547100	1	117
2200547200	1	117
2200547300	1	117-348
2200547400	1	117
2200547500	1	117
2200547700	1	117-267
2200547800	1	117-267
2200547900	1	115-117
2200548000	1	117-267
2200548100	1	117-267
2200548200	1	117-267
2200548600	1	117-267-273
2200548700	1	117-267
2200548800	1	117-267
2200548900	1	117-267
2200549000	1	267
2200549100	1	267
2200549200	1	267
2200549300	2	117-267
2200549500	1	267
2200549600	1	267
2200549700	1	267
2200553100	1	303
2200553200	1	303
2200553300	1	303
2200553400	1	303
2200553500	1	303
2200553600	1	303
2200553700	1	303
2200553900	1	303
2200557100	1	303
2200557200	1	303
2200557300	1	303
2200557400	1	303
2200557500	1	303
2200557600	1	303
2200557700	1	303
2200557900	1	303
2200565000	1	45
2200565100	1	45
2200565200	1	45
2200565300	1	45
2200565400	1	45
2200565500	1	45
2200580600	1	101
2200582600	1	57-64
2200583600	1	92
2200584700	1	57-64
2200585100	1	57-64
2200586100	1	45-59-65
2200586200	1	45
2200586300	1	45
2200586400	1	45-82-88
2200586500	1	45-82-88
2200587100	1	101-108
2200587600	1	101
2200588200	1	57-64
2200588600	1	101
2200588800	1	109
2200588900	1	109
2200589000	1	109
2200589100	1	109
2200589200	1	45-109
2200589400	1	109
2200589500	1	109
2200589600	1	109
2200589700	1	109
2200589800	1	109
2200589900	1	109

Code Fosnova	px n° pack	page
2200592600	1	146
2200594700	1	146
2200595100	1	146
2200598200	1	146
2201407000	1	367
2201407100	1	367
2201407200	1	367
2201407300	1	367
2201407400	1	367
2201407500	1	367
2201407600	1	367
2201407700	1	367
2201477300	1	361
2201477400	1	361
2201477500	1	361
2201477600	1	361
2201477700	1	361
2201477800	1	361
2201487300	1	361
2201487400	1	361
2201487500	1	361
2201487600	1	361
2201487700	1	361
2201487800	1	361
2201497300	1	361
2201497400	1	361
2201497500	1	361
2201497600	1	361
2201497700	1	361
2201497800	1	361
2201501100	1	7
2201503100	1	7
2201507100	1	7
2201507200	1	7
2201511200	1	7
2201513200	1	7
2201517200	1	7
2201517300	1	7
2201521300	1	7
2201523300	1	7
2201527300	1	7
2201527400	1	7
2201537400	1	7
2201537500	1	7
2201551300	1	17
2201557200	1	17
2201561600	1	17
2201567400	1	17
2201597600	1	344
2201597800	1	344
2201607400	1	345
2201607500	1	345
2201617500	1	344
2201627100	1	345
2201627400	1	345
2201627600	1	345
2201637400	1	344
2201637500	1	344
2201637600	1	344
2201637900	1	344
2201647300	1	344
2201657100	1	344
2201677200	1	350
2201677300	1	350
2201677400	1	350
2201677600	1	351
2201677800	1	350
2201687300	1	351
2201697100	1	351

Code iFosnova	px n° pack	page
2201707100	1	355
2201707200	1	355
2201707300	1	355
2201707400	1	355
2201707500	1	355
2201707600	1	355
2201707700	1	355
2201707800	1	355
2201707900	1	355
2201717300	1	354
2201717500	1	354
2201717700	1	353
2201717800	1	353
2201717900	1	353
2201727000	1	360
2201727100	1	360
2201727200	1	360
2201727300	1	360
2201727400	1	360
2201727500	1	360
2201727600	1	360
2201727700	1	360
2201727800	1	360
2201728000	1	359
2201728100	1	359
2201728200	1	359
2201747100	1	383
2201747300	1	383
2201747500	1	383
2201747900	1	383
2201757000	1	381
2201757200	1	383
2201757400	1	383
2201757500	1	381
2201757600	1	383
2201757800	1	383
2201757900	1	381
2201767000	1	360
2201767100	1	360
2201767200	1	360
2201767300	1	360
2201767400	1	360
2201767500	1	360
2201767600	1	360
2201767700	1	360
2201767800	1	360
2201768000	1	359
2201768100	1	359
2201768200	1	359
2201787000	1	360
2201787100	1	360
2201787200	1	360
2201787300	1	360
2201787400	1	360
2201787500	1	360
2201787600	1	360
2201787700	1	360
2201787800	1	360
2201807100	1	353
2201807200	1	353
2201807500	1	353
2201807800	1	354
2201807900	1	354
2201817000	1	364
2201817100	1	364
2201817200	1	364
2201817300	1	364
2201817400	1	364
2201817500	1	364

Code iFosnova	px n° pack	page
2201817600	1	364
2201817700	1	364
2201817800	1	364
2201827000	1	364
2201827100	1	364
2201827200	1	364
2201827300	1	364
2201827400	1	364
2201827500	1	364
2201827600	1	364
2201827700	1	364
2201827800	1	364
2201837000	1	364
2201837100	1	364
2201837200	1	364
2201837300	1	364
2201837400	1	364
2201837500	1	364
2201837600	1	364
2201837700	1	364
2201837800	1	364
2201847000	1	363
2201847100	1	363
2201847200	1	363
2201867000	1	365
2201877000	1	362
2201877100	1	362
2201877200	1	362
2201877300	1	362
2201877400	1	362
2201877500	1	362
2201887000	1	369
2201887100	1	369
2201887200	1	369
2201887300	1	369
2201887400	1	369
2201887500	1	369
2201887600	1	369
2201887700	1	369
2201897000	1	362
2201897100	1	362
2201897200	1	362
2201897300	1	362
2201897400	1	362
2201897500	1	362
2201897700	1	369
2201897800	1	369
2201897900	1	369
2201898000	1	369
2201898100	1	369
2201898200	1	369
2201898300	1	369
2201898400	1	369
2201907000	1	376
2201907200	1	376
2201907400	1	376
2201907500	1	376
2201907600	1	376
2201907700	1	376
2201917100	1	378
2201917200	1	378
2201917300	1	378
2201937000	1	377
2201937100	1	377
2201937200	1	377
2201937300	1	378
2201937400	1	378
2201987000	1	351
2201987100	1	351

Code iFosnova	px n° pack	page
2201987200	1	351
2202303100	10	9
2202303200	10	9
2202311000	1	15
2202311300	1	15
2202333600	10	9
2202333700	10	9
2202341000		446-447
2202471000	1	17
2202477200	1	17
2202487000	1	16
2202487100	1	16
2202487500	1	16
2202487900	1	16
2202510200	1	8-14-16
2202510400	1	10
2202510500	1	12
2202510600	1	10
2202510700	1	12
2202510800	1	11
2202510900	1	11
2202511000	1	8-14-16
2202511100	1	10
2202511200	1	12
2202511300	1	10
2202511400	1	12
2202511500	1	11
2202511600	1	11
2202511700	1	13
2202511800	1	13
2202513100	1	8-14-16
2202513200	1	10
2202513300	1	12
2202513400	1	10
2202513500	1	12
2202513600	1	11
2202513700	1	11
2202513800	1	13
2202513900	1	13
2202517100	1	13
2202517300	1	13
2202517400	1	8-14-16
2202517500	1	8-17
2202520200	1	14
2202520300	4	14
2202520400	4	14
2202520500	4	14
2202521000	1	14
2202521100	4	14
2202521200	4	14
2202521300	4	14
2202523100	1	14
2202523200	4	14
2202523300	4	14
2202523400	4	14
2202530500	1	15-149
2202531000	1	15-149
2202533100	1	15-149
2202537200	1	15-149
2202540400	1	8-17
2202541000	1	8-17
2202543500	1	8-17
2202550500	10	8
2202551000	10	8
2202551500	1	8-17-348
2202553300	1	8-17-348
2202553600	10	8
2202557200	1	8-17-348
2202561000	10	9

Code Fosnova	px n° pack	page
2202561100	10	9
2202567200	1	379
2202570400	1	15
2202571000	1	15
2202573100	1	15
2202580000	1	356
2202580100	1	356
2202580200	1	348
2202580300	1	348
2202580600	1	356
2202580700	1	348
2202581000	1	14
2202584000	1	365
2202584100	1	365
2202584200	1	365
2202587300	1	348
2202587400	1	348
2202587500	1	348
2202588200	1	382
2202591000	1	368
2202596000	1	368
2202597200	1	359-360-361-363-365
2202597300	1	359-360-361-363
2202597400	1	364
2202597500	1	356
2202597600	1	364
2202607100	1	351
2202707000	1	367
2202707100	1	379
2202707300	1	379
2202707500	1	379
2202707700	1	379
2202807000	1	365
2203101100	1	151
2203103100	1	151
2203171700	1	152
2203171800	1	152
2203173700	1	152
2203173800	1	152
2203177700	1	152
2203177800	1	152
2203191000	1	151
2203193000	1	151
2203197000	1	151
2203781100	1	153
2203787100	1	153
2203797000	1	153
2204027500	1	417
2204063000	1	47
2204073000	1	47
2204101100	1	151
2204103100	1	151
2204151200	1	421
2204151300	1	421
2204156100	1	421
2204156300	1	421
2204161000	1	421
2204161300	1	421
2204161400	1	421
2204166000	1	421
2204166300	1	421
2204166400	1	421
2204171600	1	152
2204171700	1	152
2204173600	1	152
2204173700	1	152
2204177600	1	152
2204177700	1	152
2204781100	1	153

Code Fosnova	px n° pack	page
2204787100	1	153
2204941700	1	423
2204941800	1	423
2204941900	1	423
2204947200	1	423
2204947300	1	423
2205307000	1	418
2205307100	1	418
2205401100		447
2205401200		447
2205401300		446
2205401500		446
2205401600		446
2205401700		446
2205411100		447
2205411200		447
2205411300		447
2205411500		446
2205411600		446
2205411700		447
2206001000	1	231
2206001409	1	231
2206001500	1	231
2206003100	1	231
2206003500	1	231
2206006500	1	231
2206007200	1	231
2206007500	1	231
2206011200	1	391
2206017500	1	391
2206021300	1	391
2206027400	1	391
2206041300	1	391
2206041600	1	391
2206047100	1	391
2206047600	1	391
2206051500	1	240
2206052700	1	240
2206054200	1	240
2206058000	1	240
2206061000	1	240
2206062200	1	240
2206064500	1	240
2206065500	1	240
2206068900	1	240
2206069600	1	240
2206071000	1	241
2206081000	10	241
2206081100	1	241
2206082900	1	241
2206083200	1	241
2206083300	1	241
2206084700	1	241
2206085900	10	241
2206086200	1	241
2206088500	1	241
2206089200	1	241
2206089500	1	241
2206101200	1	292
2206101400	1	292
2206103200	1	292
2206103400	1	292
2206106200	1	292
2206106400	1	292
2206107200	1	292
2206107400	1	292
2206108200	1	292
2206108400	1	292
2206109200	1	292

Code Fosnova	px n° pack	page
2206109400	1	292
2206140000	1	239
2206140100	1	239
2206141000	1	285
2206141009	1	285
2206141200	1	285
2206141209	1	285
2206141400	1	285
2206141409	1	285
2206141500	1	285
2206141509	1	285
2206141700	1	285
2206141709	1	285
2206141900	1	285
2206141909	1	285
2206146100	1	239
2206146200	1	238
2206146700	1	239
2206147000	1	285
2206147009	1	285
2206147100	1	302
2206147200	1	285
2206147209	1	285
2206147300	1	302
2206147400	1	285
2206147409	1	285
2206147500	1	285
2206147509	1	285
2206147700	1	285
2206147709	1	285
2206147900	1	285
2206147909	1	285
2206148000	1	239
2206148100	1	239
2206148500	1	239
2206148600	1	239
2206151100	1	232
2206151200	1	232
2206151600	1	234
2206156200	1	232
2206156300	1	232
2206156600	1	234
2206157000	1	232
2206157100	1	232
2206157500	1	234
2206161000	1	198
2206161200	1	300
2206161400	1	300
2206161500	1	199
2206161700	1	199
2206167200	1	300
2206167400	1	300
2206171300	1	300
2206171500	1	301
2206171512	1	301
2206171600	1	301
2206177300	1	300
2206180500	1	230
2206180600	1	230
2206181500	1	230
2206181600	1	230
2206211100	1	294
2206211600	1	294
2206211900	1	293
2206213300	1	294
2206213400	1	294
2206216600	1	294
2206216700	1	294
2206217200	1	294

Code iFosnova	px n° pack	page
2206217400	1	294
2206217900	1	293
2206219300	1	294
2206219700	1	294
2206251100	1	237
2206256200	1	237
2206257000	1	237
2206261000	1	237
2206261200	1	236
2206261300	1	236
2206261600	1	237
2206266000	1	237
2206266400	1	236
2206266500	1	236
2206266700	1	237
2206267000	1	237
2206267200	1	236
2206267300	1	236
2206267500	1	237
2206271000	1	305
2206276000	1	305
2206276500	1	306
2206277000	1	305
2206278000	1	305
2206286500	1	306
2206301200	1	305
2206306400	1	305
2206307300	1	305
2206309500	1	305
2206321100	1	293
2206321200	1	293
2206323200	1	293
2206323300	1	293
2206326300	1	293
2206326400	1	293
2206327100	1	293
2206327400	1	293
2206329100	1	293
2206329500	1	293
2206341300	1	229
2206341700	1	229
2206341800	1	229
2206343100	1	229
2206343700	1	229
2206343800	1	229
2206346500	1	229
2206346700	1	229
2206346800	1	229
2206347200	1	229
2206347700	1	229
2206347800	1	229
2206349600	1	229
2206349700	1	229
2206349800	1	229
2206391600	1	228
2206393200	1	228
2206396400	1	228
2206397300	1	228
2206399200	1	228
2206401000	1	226
2206401900	1	227
2206403500	1	226
2206406300	1	226
2206407600	1	227
2206407700	1	226
2206409200	1	226
2206451000	1	254
2206451100	1	254
2206451200	1	255

Code iFosnova	px n° pack	page
2206456200	1	254
2206456300	1	254
2206456400	1	255
2206457100	1	254
2206457200	1	254
2206457300	1	255
2206471100	1	311
2206473200	1	311
2206476600	1	311
2206478400	1	311
2206479300	1	311
2206481000	1	310
2206483000	1	310
2206486000	1	310
2206488000	1	310
2206489000	1	310
2206513100	1	303
2206513300	1	303
2206517100	1	303
2206517300	1	303
2206541100	1	257
2206541200	1	257
2206611200	1	229
2206611400	1	229
2206613200	1	229
2206613400	1	229
2206616200	1	229
2206616400	1	229
2206617200	1	229
2206617400	1	229
2206618200	1	229
2206618400	1	229
2206619200	1	229
2206619400	1	229
2206621000	1	227
2206621009	1	227
2206621100	1	227
2206621400	1	226
2206621500	1	226
2206623000	1	227
2206623009	1	227
2206623100	1	227
2206623400	1	226
2206623500	1	226
2206626000	1	227
2206626009	1	227
2206626100	1	227
2206626400	1	226
2206626500	1	226
2206627000	1	227
2206627009	1	227
2206627100	1	227
2206627400	1	226
2206627500	1	226
2206628400	1	226
2206628500	1	226
2206629000	1	227
2206629009	1	227
2206629100	1	227
2206631100	1	289
2206631200	1	289
2206636100	1	289
2206636200	1	289
2206646100	1	235
2206646200	1	235
2206646300	1	235
2206647500	1	235
2206656500	1	304
2206661000	1	289

Code iFosnova	px n° pack	page
2206661200	1	289
2206666000	1	289
2206666200	1	289
2206671700	1	285
2206671709	1	285
2206677700	1	285
2206677709	1	285
2206681100	1	284
2206687100	1	284
2206691000	1	297
2206691100	1	307
2206691200	1	307
2206691300	1	307
2206691500	1	297
2206691700	1	297
2206701000	1	230
2206721000	1	287
2206726000	1	287
2206727000	1	287
2206731000	1	287
2206737000	1	287
2206781000	1	286
2206781100	1	286
2206801400	1	196
2206801500	1	196
2206801600	1	197
2206801700	1	197
2206801800	1	196
2206801900	1	197
2206802000	1	197
2206802100	1	197
2206871000	1	312
2206897585	1	313
2206997600	1	313
2206997685	1	313
2207007000	1	415
2207007100	1	415
2207007200	1	415
2207007300	1	415
2207007400	1	415
2207007600	1	417
2207007700	1	415
2207007800	1	415
2207007900	1	417
2207017400	1	415
2207207100	1	108
2207207300	1	108
2207207400	1	108
2207207500	1	108
2207207700	1	103
2207207800	1	107
2207207900	1	107
2207307600	1	106
2207307700	1	106
2207307800	1	109
2207307900	1	109
2207407000	1	102
2207407100	1	102
2207407300	1	102
2207407500	1	111
2207407600	1	102
2207407700	1	102
2207408000	1	110
2207408100	1	110
2207408200	1	111
2207408600	1	110
2207408700	1	110
2207408800	1	110
2207427000	1	102

Code Fosnova	px n° pack	page
2207607100	1	101
2207807500	1	97
2207807700	1	97
2207827000	1	98
2207827100	1	98
2207827200	1	98
2207827300	1	107
2207827500	1	108
2207827600	1	108
2207827700	1	108
2207827800	1	107
2207827900	1	107
2207847500	1	98
2207847600	1	98
2207847700	1	98
2207857000	1	99
2207857100	1	105
2207857200	1	105
2207857300	1	105
2207857500	1	105
2207857600	1	99
2207867000	1	99
2207867100	1	99
2207867200	1	103
2207867300	1	105
2207917000	1	98
2207917100	1	98
2207917200	1	98
2207917300	1	97
2207917400	1	98
2207917500	1	98
2207917600	1	97
2207917700	1	99
2207917800	1	99
2207917900	1	98
2207927000	1	103
2207927100	1	103
2207927200	1	103
2207927300	1	104
2207927400	1	104
2207927500	1	104
2207927600	1	104
2207937200	1	97
2207937400	1	97
2207937500	1	102
2207937600	1	102
2208001100	1	193
2208001200	1	193
2208001209	1	193
2208001212	1	193
220800121241	1	193
220800129441	1	193
2208011200	1	192
2208011500	1	274
2208031300	1	193
2208031309	1	193
2208031312	1	193
220803131241	1	193
220803139441	1	193
2208031400	1	193
2208031409	1	193
2208031412	1	193
220803141241	1	193
220803149441	1	193
2208041008	1	182
2208041108	1	182
220804111241	1	182
2208041208	1	182
2208041400	1	182

Code Fosnova	px n° pack	page
2208041500	1	182
2208041600	1	183
2208041700	1	183
2208047108	1	182
2208047208	1	182
220804721241	1	182
2208047308	1	182
2208047400	1	182
2208047500	1	182
2208047600	1	183
2208047700	1	183
2208051000	1	182
2208051100	1	182
2208051200	1	183
2208051300	1	183
2208051708	1	182
2208056608	1	182
2208057000	1	182
2208057100	1	182
2208057200	1	183
2208057300	1	183
2208061208	1	183
220806121241	1	183
2208061308	1	183
2208061408	1	183
2208061508	1	183
220806151241	1	183
2208061700	1	185
2208061800	1	185
2208067208	1	183
2208067408	1	183
220806741241	1	183
2208067508	1	183
2208067608	1	183
220806761241	1	183
2208067700	1	185
2208067800	1	185
2208071108	1	183
2208071208	1	183
2208077308	1	183
2208077408	1	183
2208081608	1	182
220808161241	1	182
2208087808	1	182
220808781241	1	182
2208091208	1	182
2208097408	1	182
2208101108	1	185
220810110885	1	185
2208101300	1	185
2208107308	1	185
220810730885	1	185
2208111508	1	185
220811150885	1	185
2208117708	1	185
220811770885	1	185
2208136100	1	176
2208136300	1	176
2208136400	1	176
2208136600	1	176
2208137000	1	179
2208137500	1	179
2208151100	1	175
220815111241	1	175
22081519441	1	175
2208151200	1	175
220815121241	1	175
220815129441	1	175
2208151300	1	175

Code Fosnova	px n° pack	page
220815131241	1	175
220815139441	1	175
2208151400	1	175
220815141241	1	175
220815149441	1	175
2208151500	1	179
2208151600	1	175
220815161241	1	175
220815169441	1	175
2208151700	1	175
220815171241	1	175
220815179441	1	175
2208151800	1	175
220815181241	1	175
220815189441	1	175
2208151900	1	175
220815191241	1	175
220815199441	1	175
2208153000	1	175
220815301241	1	175
220815309441	1	175
2208153100	1	175
220815311241	1	175
220815319441	1	175
2208153200	1	175
220815321241	1	175
220815329441	1	175
2208153500	1	175
220815351241	1	175
220815359441	1	175
2208153600	1	175
220815361241	1	175
220815369441	1	175
2208153700	1	175
220815371241	1	175
220815379441	1	175
2208157000	1	175
220815701241	1	175
220815709441	1	175
2208157100	1	175
220815711241	1	175
220815719441	1	175
2208157200	1	175
220815721241	1	175
220815729441	1	175
2208157300	1	175
220815731241	1	175
220815739441	1	175
2208157500	1	175
220815751241	1	175
220815759441	1	175
2208157600	1	175
220815761241	1	175
220815769441	1	175
2208157700	1	175
220815771241	1	175
220815779441	1	175
2208157800	1	175
220815781241	1	175
220815789441	1	175
2208157900	1	179
2208181000	1	174
2208181012	1	174
220818101241	1	174
2208181100	1	174
2208181112	1	174
220818111241	1	174
2208181200	1	174
2208181212	1	174

Code iFosnova	px n° pack	page
220818121241	1	174
2208187000	1	174
2208187012	1	174
220818701241	1	174
2208187100	1	174
2208187112	1	174
220818711241	1	174
2208187200	1	174
2208187212	1	174
220818721241	1	174
2208188000	1	174
2208188012	1	174
220818801241	1	174
2208188100	1	174
2208188112	1	174
220818811241	1	174
2208188200	1	174
2208188212	1	174
220818821241	1	174
2208261000	1	189
2208267000	1	189
2208271000	1	189
2208277000	1	189
2208301100	1	181
2208301200	1	181
2208301300	1	181
2208301400	1	180
2208301900	1	180
2208306100	1	180
2208306200	1	180
2208306300	1	180
2208306400	1	180
2208306500	1	178
2208306509	1	178
2208306512	1	178
220830651241	1	178
220830659441	1	178
2208306600	1	178
2208306609	1	178
2208306612	1	178
220830661241	1	178
220830669441	1	178
2208306712	1	178
2208306912	1	178
2208307100	1	181
2208307200	1	181
2208307300	1	181
2208307400	1	180
2208308100	1	180
2208311300	1	187
2208311400	1	187
2208316300	1	187
2208316400	1	187
2208317300	1	187
2208317400	1	187
2208321300	1	187
2208321400	1	187
2208326300	1	187
2208326400	1	187
2208327300	1	187
2208327400	1	187
2208331500	1	181
2208331800	1	181
2208331900	1	181
2208336300	1	180
2208336400	1	180
2208336500	1	180
2208337100	1	181
2208337200	1	181

Code iFosnova	px n° pack	page
2208337300	1	181
2208356300	1	179
2208356400	1	179
2208371000	1	177
2208371009	1	177
220837101241	1	177
220837109441	1	177
2208376100	1	177
2208376109	1	177
220837611241	1	177
220837619441	1	177
2208377100	1	177
2208377109	1	177
220837711241	1	177
220837719441	1	177
2208407100	1	438
220840712191	1	438
2208407200	1	438
2208407300	1	438
2208407400	1	438
2208417500	1	438
2208427100	1	438
2208427200	1	438
220842722191	1	438
2208427300	1	438
2208427400	1	438
2208437500	1	438
2208451100	1	431
2208451200	1	431
2208467000	1	433
2208481000	1	435
2208481100	1	434
2208486100	1	434
2208511100	1	276
2208517900	1	276
2208521200	1	276
2208527800	1	276
2208531500	1	277
2208531600	1	277
2208533500	1	277
2208533600	1	277
2208537500	1	277
2208537600	1	277
2208541400	1	276
2208547600	1	276
2208551000	1	277
2208551100	1	277
2208551200	1	277
2208561200	1	276
2208561300	1	276
2208567200	1	276
2208567300	1	276
2208601300	1	263
2208601400	1	263
2208611300	1	263
2208611400	1	263
2208631000	1	278
2208631100	1	278
2208631300	1	278
2208631400	1	278
2208631600	1	278
2208631700	1	278
2208636000	1	278
2208636100	1	278
2208636300	1	278
2208636600	1	278
2208636700	1	278
2208637000	1	278
2208637100	1	278

Code iFosnova	px n° pack	page
2208637300	1	278
2208637600	1	278
2208637700	1	278
2208639000	1	278
2208639100	1	278
2208639300	1	278
2208639600	1	278
2208639700	1	278
2208641300	1	279
2208641500	1	278
2208646500	1	278
2208646600	1	279
2208647500	1	278
2208647600	1	279
2208649100	1	278
2208649200	1	279
2208711100	1	271
2208721400	1	271
2208721700	1	271
2208721800	1	271
2208727100	1	271
2208727200	1	271
2208727300	1	271
2208741200	1	271
2208741300	1	271
2208741500	1	270
2208741585	1	270
2208770000	1	272
2208771000	1	272
2208771100	1	272
2208771200	1	272
2208771300	1	272
2208771400	1	272
220877141241	1	272
2208771500	1	272
220877151241	1	272
2208771600	1	272
220877161241	1	272
2208771700	1	272
220877171241	1	272
2208771800	1	272
2208771900	1	273
2208781000	1	273
2208781200	1	273
2208781400	1	260
2208781500	1	260
2208781600	1	261
2208781700	1	260
2208781800	1	261
2208787000	1	273
2208787200	1	273
2208787400	1	260
2208787500	1	260
2208787600	1	261
2208787700	1	260
2208787800	1	261
2208797100	1	280
2208811200	1	280
2208817200	1	280
2208821200	1	280
2208827200	1	280
2208851400	1	290
2208857100	1	291
2208857400	1	290
2208871000	1	291
2208871200	1	291
2208877000	1	291
2208877200	1	291
2208901200	1	214

Code Fosnova	px n° pack	page
2208901400	1	214
2208901409	1	214
2208901412	1	214
2208901500	1	214
2208901509	1	214
2208901512	1	214
2208901700	1	214
2208901709	1	214
2208901712	1	214
2208911708	1	214
2208911779	1	214
2208921708	1	214
2208921779	1	214
2208931000	1	216
2208931009	1	216
2208931500	1	216
2208931509	1	216
2208931600	1	216
2208931609	1	216
2208951008	1	264
2208951108	1	264
2208951208	1	264
2208951400	1	264
2208957008	1	264
2208957108	1	264
2208957208	1	264
2208957300	1	264
2208957400	1	264
2208957500	1	265
2208957600	1	265
2208957700	1	265
2208967300	1	265
2208967400	1	265
2208986000	1	419
2209011200	1	247
2209012000	1	247
2209012300	1	247
2209012500	1	247
2209014400	1	247
2209071000	1	372-375-458
2209071500	1	372-375-458
2209076000	1	372-375-458
2209078000	1	455
2209078100	1	455
2209078200	1	455
2209081000	1	272-457
2209081500	1	458
2209081600	1	237-457
2209081700	1	272-457
2209081800	1	457
2209082600	1	329-333-457
2209083200	1	233-236-254-456
2209083400	1	236-254-279-295-305-457
2209083500	1	233-236-254-295-303-305-456
2209083600	1	333-334-457
2209083700	1	233-236-254-456
2209083712	1	236-254-457
220908371241	1	279-457
2209083800	1	456
2209083900	1	360-361-362-363-456
2209084000	1	360-361-362-363-457
2209084100	1	360-361-362-363-457
22090841241	1	457
2209084512	1	457
220908451241	1	457
2209084600	1	360-361-362-363-457
2209084700	1	457
2209084900	1	457
2209085200	1	457

Code Fosnova	px n° pack	page
2209085500	1	272-457
2209086000	1	359-369-474
2209086100	1	359-369
2209086200	1	452
2209086300	1	452
2209086400	1	474
2209086700	1	452
2209086900	1	474
2209087000	1	234-255-279-295-311-439-450-457
2209087100	1	234-255-279-295-311-439-450-457
2209087200	1	71-228-295-439-451
2209087300	1	71-228-439-451
2209087900	1	371-458
2209088000	1	456
2209088100	1	456
2209088200	1	456
2209088300	1	456
2209088400	1	456
2209088500	1	456
2209088600	1	456
2209089000	1	279-456
2209089100	1	456
2209089200	1	456
2209089300	1	456
2209089400	1	456
2209089500	1	456
2209089600	1	456
2209089700	1	456
2209089800	1	456
2209089900	1	456
2209091000	1	475
2209092000	1	475
2209100200	1	277
2209101700	1	277
2209107100	1	153-313
2209131400	1	149
2209133400	1	149
2209137400	1	149
2209141000	1	149
2209141400	1	45
2209141500	1	45
2209143000	1	149
2209143100	1	45
2209143500	10	136-146-149
2209143800	10	136-146-149
2209147000	1	40-45-136-139-146-149
2209147100	1	45
2209147500	1	45
2209180100	1	211
2209180200	1	169
2209180300	1	169
2209180500	1	211
2209180700	1	245
2209180800	1	169
2209181000	1	211
2209181100	1	217-417
2209181200	1	245
2209181300	1	245
2209181400	1	245
2209181500	1	211
2209181600	1	211
2209181700	1	211
2209181800	1	211
2209181900	1	245
2209182000	1	211
2209182100	1	245
2209182200	1	217-417
2209182300	1	245

Code Fosnova	px n° pack	page
2209182400	1	245
2209182900	1	245
2209184100	1	245
2209184300	1	217-417
2209185400	1	217-417
2209185500	1	245
2209186000	1	168
2209186100	1	168
2209186200	1	168
2209186300	1	169
2209186400	1	169
2209187500	1	211
2209188500	1	217-417
2209188600	1	245
2209188700	1	169
2209191600	1	213
2209192300	1	213
2209194000	1	212
2209194500	1	213
2209195400	1	213
2209198200	1	213
2209200100	1	465
2209201000	1	465
2209201100	1	465
2209201200	1	270-273-322-458
2209201300	1	270-273-458
2209201400	1	458
2209201600	1	270-320-322-458
2209201700	1	458
2209201800	1	320-322-458
2209202000	1	465
2209202100	1	281-465
2209202200	1	230-360-361-362-363-456
2209203000	1	373-374-458
2209203100	1	233
2209203300	1	233
2209203400	1	234
2209203500	1	457
2209203600	1	363-368-373-374-457-458
2209203800	1	363-368-373-374-457-458
2209204000	1	465
2209204100	1	465
2209204200	1	465
2209204300	1	465
2209205100	1	228-295-357-454
2209205200	1	357-395-452-454
2209205300	1	454
2209205400	1	454
2209207100	1	357
2209207300	1	357
2209208100	1	457
220920811241	1	457
2209221000	1	160-164
2209221100	1	161-164
2209221200	1	161-164
2209221300	1	160-164
2209221400	1	160-164
2209221500	1	161-164
2209231000	1	215
2209231100	1	215
2209231200	1	215
2209231300	1	215
2209231400	1	168
2209231500	1	169
2209231600	1	215
2209251000	1	222
2209251100	1	222
2209251200	1	223
2209251300	1	223



Code ifosnova	px n° pack	page
2209251400	1	222
2209251500	1	223
2209251700	1	222
2209252400	1	223
2209253000	1	222
2209253100	1	222
2209254600	1	223
2209255500	1	223
2209256100	1	222
2209256200	1	222
2209256300	1	223
2209257500	1	223
2209257600	1	223
2209258200	1	222
2209258300	1	223
2209258400	1	222
2209331500	1	15-149
2209333400	1	15-149
2209337100	1	15-40-45-136-139-146-149
2209341500	1	15-136-138-147-149
2209343500	1	15-136-138-147-149
2209347500	1	15-136-138-147-149
2209441700	1	149
2209447700	1	149
2209453300	1	149
2209601300	1	464
2209601500	1	464
2209601700	1	464
2209602300	1	464
2209602500	1	464
2209602700	1	464
2209602800	1	464
2209603300	1	464
2209603500	1	464
2209603700	1	464
2209604300	1	464
2209604500	1	464
2209604700	1	464
2209604800	1	464
2209605100	1	368
2209605300	1	368
2209607000	1	459
2209902000	1	71-83-89-228-273-276-295-450-451
2209902300	1	359-369-395-429-475
2209903000	1	475
2209905000	1	359-369-395-429-475
2209905100	1	461
2209905200	1	461
2209905300	1	371-459
2209905400	1	359-459
2209905500	1	359-459
2209905600	1	371-459
2209905700	1	371
2209905800	1	371
2210017400	1	57
2210017500	1	57
2210027100	1	56
2210027400	1	56
2210027471	1	56
2210027472	1	56
2210027473	1	56
2210027474	1	56
2210027500	1	56
2210027600	1	56
2210037100	1	57
2210041300	1	60
2210041700	1	60
2210043300	1	60

Code ifosnova	px n° pack	page
2210043700	1	60
2210047300	1	60
2210047700	1	60
2210051300	1	61
2210053300	1	61
2210057100	1	61
2210057300	1	61
2210061000	1	62
2210061100	1	62
2210061200	1	63
2210061300	1	63
2210061400	1	63
2210061500	1	63
2210061600	1	62
2210061700	1	63
2210061800	1	63
2210063000	1	62
2210063100	1	62
2210063200	1	63
2210063300	1	63
2210063400	1	63
2210063500	1	63
2210063600	1	62
2210063700	1	63
2210063800	1	63
2210067000	1	62
2210067100	1	62
2210067200	1	63
2210067300	1	63
2210067400	1	63
2210067500	1	63
2210067600	1	62
2210067700	1	63
2210067800	1	63
2210081100	1	59
2210081200	1	59
2210083100	1	59
2210083200	1	59
2210087100	1	59
2210087200	1	59
2210137000	1	61
2210137100	1	61
2210137200	1	61
2210137300	1	61
2210137500	1	61
2210137600	1	61
2210137700	1	61
2210137800	1	61
2210141000	1	51
2210141400	1	50
2210141412	1	50
2210141600	1	51
2210141700	1	120
2210143000	1	51
2210143400	1	50
2210143412	1	50
2210143600	1	51
2210147000	1	51
2210147400	1	50
2210147412	1	50
2210147600	1	51
2210147700	1	120
2210167100	1	121
2210167300	1	121
2210167500	1	121
2210197400	1	121
2210207500	1	121
2210211000	1	143
2210211100	1	143

Code ifosnova	px n° pack	page
2210221000	1	143
2210221100	1	143
2210231000	1	142
2210241000	1	140
2210243000	1	140
2210251000	1	141
2210253000	1	141
2213011000	1	309
221301101241	1	309
2213021000	1	309
221302101241	1	309
2214011000	1	310
221401101241	1	310
2214021000	1	310
221402101241	1	310
2215191000	1	164
2215191009	1	164
2215191100	1	164
2215191109	1	164
2215191300	1	164
2215191700	1	164
2215191709	1	164
2215191900	1	164
2215191909	1	164
2215201000	1	166
2215201008	1	166
2215201009	1	166
2215201200	1	165
2215201207	1	165
2215201208	1	165
2215201209	1	165
2215201212	1	165
2215201294	1	165
2215201300	1	165
2215201309	1	165
2215201400	1	166
2215201408	1	166
2215201409	1	166
2215201500	1	165
2215201507	1	165
2215201508	1	165
2215201509	1	165
2215201512	1	165
2215201594	1	165
2215201600	1	165
2215201607	1	165
2215201608	1	165
2215201609	1	165
2215201612	1	165
2215201694	1	165
2215201700	1	165
2215201707	1	165
2215201708	1	165
2215201709	1	165
2215201712	1	165
221520171241	1	165
2215201794	1	165
221520179441	1	165
2215201800	1	166
2215201807	1	166
2215201808	1	166
2215201809	1	166
2215201900	1	166
2215201907	1	166
2215201908	1	166
2215201909	1	166
221520191241	1	166
221520199441	1	166
2215203108	1	166

Code Fosnova	px n° pack	page
2215203109	1	166
2215203308	1	166
2215203309	1	166
2215203312	1	166
221520331241	1	166
2215203394	1	166
221520339441	1	166
2215207100	1	167
2215207109	1	167
2215207200	1	167
2215207209	1	167
2215207400	1	167
2215207409	1	167
2215207500	1	167
2215207509	1	167
221520751241	1	167
221520759441	1	167
2215221000	1	167
2215221008	1	167
2215221009	1	167
2215221100	1	167
2215221108	1	167
2215221109	1	167
2215221200	1	167
2215221208	1	167
2215221209	1	167
2215221608	1	167
2215221609	1	167
2215221612	1	167
221522161241	1	167
2215221694	1	167
221522169441	1	167
2215231000	1	160
2215231300	1	160
2215231800	1	163
2215231900	1	163
2215241000	1	161
221524101241	1	161
2215241100	1	161
2215241200	1	161
2215241300	1	161
221524131241	1	161
2215241400	1	161
2215241500	1	161
2215241600	1	161
2215241700	1	161
2215241800	1	163
2215241900	1	163
2215401100	1	244
2215401109	1	244
2215401200	1	244
2215401209	1	244
2215401300	1	244
2215401309	1	244
2215401400	1	244
2215401409	1	244
2215401412	1	244
221540141241	1	244
2215401494	1	244
221540149441	1	244
2215401500	1	244
2215401509	1	244
2215401800	1	244
2215401809	1	244
2215401900	1	244
2215401909	1	244
2215407000	1	244
2215407009	1	244
2215407100	1	244

Code Fosnova	px n° pack	page
2215407109	1	244
2215407112	1	244
2215407200	1	244
2215407209	1	244
2215407212	1	244
2215407300	1	244
2215407309	1	244
2215407312	1	244
2215407400	1	244
2215407409	1	244
2215407412	1	244
221540741241	1	244
2215407494	1	244
221540749441	1	244
2215407500	1	244
2215407600	1	244
2215407609	1	244
2215407700	1	244
2215407709	1	244
2215407800	1	244
2215407809	1	244
2215407900	1	244
2215407909	1	244
2216011300	1	170
2216011400	1	170
2216021300	1	170
2216021400	1	170
2216031300	1	171
2216031400	1	171
2216041300	1	171
2216041400	1	171
2217081800	1	463
2217081900	1	463
2217091800	1	463
2217091900	1	463
2217103400	1	217
2217117200	1	217
2217117400	1	217
2217201100	1	204
2217201400	1	204
2217201500	1	205
2217207100	1	204
2217207400	1	204
2217207500	1	205
2217217000	1	209
2217217100	1	209
2217217300	1	210
221721731241	1	210
2217217400	1	210
2217217508	1	210
2217217509	1	210
2217217512	1	210
2217217608	1	210
2217217609	1	210
2217217612	1	210
221721761241	1	210
2217217694	1	210
221721769441	1	210
2217217708	1	210
2217217709	1	210
2217217712	1	210
2217217808	1	210
2217217809	1	210
2217217812	1	210
2217221000	1	208
2217291100	1	207
2217291300	1	207
2217301008	1	206
2217301009	1	206

Code Fosnova	px n° pack	page
2217301012	1	206
2217301094	1	206
2217301108	1	206
2217301109	1	206
2217301112	1	206
2217301194	1	206
2217301508	1	206
2217301509	1	206
2217301512	1	206
2217301594	1	206
2217301608	1	206
2217301609	1	206
2217301612	1	206
2217301694	1	206
2217307008	1	206
2217307009	1	206
2217307012	1	206
2217307094	1	206
2217307108	1	206
2217307109	1	206
2217307112	1	206
2217307194	1	206
2217307508	1	206
2217307509	1	206
2217307512	1	206
2217307594	1	206
2217307608	1	206
2217307609	1	206
2217307612	1	206
2217307694	1	206
2217317208	1	210
2217317400	1	210
2217317408	1	210
2217317508	1	210
2217317512	1	210
2217317608	1	210
2217317609	1	210
2217317612	1	210
221731761241	1	210
2217317694	1	210
221731769441	1	210
2217317708	1	210
2217317712	1	210
2217317808	1	210
2217317809	1	210
2217317812	1	210
2217341500	1	207
2217351000	1	205
2217351500	1	205
2217391900	1	275
2217401000	1	275
2217411208	1	253
2217411209	1	253
2217411400	1	253
2217411409	1	253
2217411508	1	253
2217411600	1	253
2217411609	1	253
2217411700	1	253
2217411800	1	253
2217411809	1	253
2217461108	1	200
2217461308	1	201
2217461508	1	201
2217461708	1	201
2217481200	1	249
2217481300	1	249
2217481400	1	249
2217481500	1	251

Code iFosnova	px n° pack	page
2217481600	1	251
2217481700	1	251
2217483800	1	251
2217507108	1	220
2217507109	1	220
2217507208	1	220
2217507209	1	220
2217507308	1	220
2217507309	1	220
2217507408	1	220
2217507409	1	220
2217507508	1	220
2217507509	1	220
2217507608	1	220
2217507609	1	220
2217507808	1	220
2217507908	1	220
2217509108	1	221
2217509109	1	221
2217509208	1	221
2217509209	1	221
2217509308	1	221
2217509309	1	221
2217509408	1	221
2217509409	1	221
2217509508	1	221
2217509509	1	221
2217509608	1	221
2217509609	1	221
2217509708	1	221
2217517308	1	221
2217517309	1	221
2217517408	1	221
2217517409	1	221
2217517412	1	221
221751741241	1	221
2217517494	1	221
221751749441	1	221
2217517500	1	221
2217517509	1	221
2217517600	1	221
2217517609	1	221
2217517700	1	221
2217517709	1	221
2217521000	1	203
2217531000	1	203
2217601300	1	281
2217601700	1	281
2217611200	1	281
2217611400	1	281
2217611600	1	281
2217701500	1	247
2217701600	1	247
2217701700	1	247
2217701800	1	247
2218017000	1	320
2218017100	1	321
2218017200	1	323
2218017300	1	322
2218017400	1	323
2218017500	1	323
2218017600	1	320
2218017700	1	321
2218017800	1	322
2218027000	1	321
2218027100	1	321
2218027200	1	322
2218027300	1	323
2218027400	1	323

Code iFosnova	px n° pack	page
2218041000	1	336
2218041100	1	337
2218041200	1	337
2218047000	1	336
2218047100	1	337
2218047200	1	337
2218051000	1	329
2218051100	1	330
2218051200	1	333
2218051300	1	334
2218057000	1	329
2218057100	1	330
2218057200	1	333
2218107000	1	320
2218107100	1	320
2218107200	1	320
2218107300	1	321
2218107400	1	321
2218107500	1	321
2218107600	1	321
2218107700	1	321
2218107800	1	322
2218107900	1	322
2218121000	1	329
2218121100	1	329
2218121200	1	330
2218121300	1	331
2218121400	1	331
2218121500	1	332
2218121600	1	333
2218121700	1	332
2218121800	1	333
2218121900	1	329
2218127000	1	329
2218127200	1	330
2218127300	1	329
2218127400	1	331
2218127500	1	332
2218127600	1	333
2218127700	1	332
2218127800	1	333
2218127900	1	331
2218131000	1	334
2218131100	1	335
2218131200	1	335
2218141000	1	336
2218141100	1	337
2218141200	1	337
2218141300	1	330
2218141400	1	329
2218141500	1	333
2218147000	1	336
2218147100	1	337
2218147200	1	337
2218147400	1	329
2218147500	1	330
2218147600	1	333
2218163100	1	323
2218163300	1	323
2218163500	1	323
2218163700	1	323
2218177100	1	316
2218177300	1	316
2218177500	1	317
2218177800	1	317
2218177900	1	317
2218201008	1	403
2218207008	1	403
2218211008	1	403

Code iFosnova	px n° pack	page
2218217108	1	403
2218227208	1	403
2218227209	1	403
2218227508	1	403
2218227509	1	403
2218237000	1	399
2218237009	1	399
2218237100	1	399
2218237109	1	399
2218237200	1	399
2218237209	1	399
2218237300	1	399
2218237309	1	399
2218237400	1	399
2218237409	1	399
2218237500	1	399
2218237509	1	399
2218237600	1	399
2218237609	1	399
2218237700	1	399
2218237709	1	399
2218237800	1	399
2218237900	1	399
2218237909	1	399
2218241000	1	401
2218241012	1	401
2218241100	1	401
2218241112	1	401
2218241200	1	401
2218241207	1	401
2218241212	1	401
2218241300	1	401
2218241312	1	401
2218241400	1	401
2218241407	1	401
2218241412	1	401
2218243000	1	401
2218243012	1	401
2218243100	1	401
2218243112	1	401
2218243200	1	401
2218243207	1	401
2218243212	1	401
2218243300	1	401
2218243312	1	401
2218243400	1	401
2218243407	1	401
2218243412	1	401
2218247000	1	401
2218247012	1	401
2218247100	1	401
2218247112	1	401
2218247200	1	401
2218247207	1	401
2218247212	1	401
2218247300	1	401
2218247312	1	401
2218247400	1	401
2218247407	1	401
2218247412	1	401
2218257000	1	316
2218257100	1	316
2218257200	1	317
2218257600	1	317
2218257800	1	317
2218267100	1	318
2218267200	1	318
2218267300	1	319
2218267400	1	319

Code Fosnova	px n° pack	page
2218267600	1	319
2218273100	1	389
2218277100	1	389
2218283200	1	389
2218283300	1	389
2218287200	1	389
2218287300	1	389
2218293000	1	389
2218297000	1	389
2218307300	1	405
2218307309	1	405
2218307312	1	405
2218307400	1	405
2218307409	1	405
2218307412	1	405
2218307600	1	405
2218321200	1	405
2218321209	1	405
2218321212	1	405
2218321600	1	405
2218327200	1	405
2218327209	1	405
2218327212	1	405
2218327600	1	405
2218437100	1	425
2218437109	1	425
2218437300	1	425
2218437309	1	425
2218621000	1	327
2218631000	1	327
2218641000	1	327
2218651000	1	327
2218741100	1	225
2218741108	1	225
2218741200	1	225
2218741208	1	225
2218751008	1	224
221875100885	1	224
2218751100	1	225
221875110885	1	225
2218751300	1	224
2218771108	1	443
2218771308	1	270
2218771408	1	270
2218771508	1	443
2218777108	1	443
2218777308	1	270
2218777408	1	270
2218777508	1	443
2219081408	1	212
2219081409	1	212
2219081412	1	212
2219081608	1	212
2219081609	1	212
2219081612	1	212
2219091408	1	212
2219091409	1	212
2219091412	1	212
2219091508	1	212
2219091509	1	212
2219091512	1	212
221909151241	1	212
2219091594	1	212
221909159441	1	212
2219121300	1	213
2219141608	1	213
2219141609	1	213
2219141612	1	213
221914161241	1	213

Code Fosnova	px n° pack	page
2219141694	1	213
221914169441	1	213
2219141708	1	213
2219141709	1	213
2219141908	1	213
2219141909	1	213
2220017400	1	64
2220017500	1	64
2220027100	1	64
2220027400	1	64
2220027471	1	64
2220027472	1	64
2220027473	1	64
2220027474	1	64
2220027500	1	64
2220027600	1	64
2220041300	1	66
2220041700	1	66
2220043300	1	66
2220043700	1	66
2220047300	1	66
2220047700	1	66
2220051300	1	67
2220053300	1	67
2220057100	1	67
2220057300	1	67
2220061000	1	68
2220061100	1	68
2220061200	1	69
2220061300	1	69
2220061400	1	69
2220061500	1	69
2220061600	1	68
2220061700	1	69
2220061800	1	69
2220063000	1	68
2220063100	1	68
2220063200	1	69
2220063300	1	69
2220063400	1	69
2220063500	1	69
2220063600	1	68
2220063700	1	69
2220063800	1	69
2220067000	1	68
2220067100	1	68
2220067200	1	69
2220067300	1	69
2220067400	1	69
2220067500	1	69
2220067600	1	68
2220067700	1	69
2220067800	1	69
2220081100	1	65
2220081200	1	65
2220083100	1	65
2220083200	1	65
2220087100	1	65
2220087200	1	65
2220107000	1	71
2220107700	1	70
2220117100	1	70
2220127200	1	70
2220127300	1	70
2220137000	1	67
2220137100	1	67
2220137200	1	67
2220137300	1	67
2220137400	1	72

Code Fosnova	px n° pack	page
2220137500	1	67
2220137900	1	72
2220141000	1	51
2220141400	1	50
2220141600	1	51
2220141700	1	120
2220143000	1	51
2220143400	1	50
2220143600	1	51
2220147000	1	51
2220147400	1	50
2220147500	1	73
2220147600	1	51
2220147700	1	120
2220167100	1	121
2220167300	1	121
2220167500	1	121
2220197400	1	121
2220207500	1	121
2221201100	1	428
2221201412	1	428
2221201600	1	428
2221201812	1	428
2221211000	1	428
2221211100	1	428
2221221200	1	428
2221221300	1	428
2221221412	1	428
2221221512	1	428
2221231400	1	429
2221231500	1	429
2221231612	1	429
2221231712	1	429
2221291000	1	394
2221291100	1	394
2221301000	1	397
2221301100	1	397
2222127100	1	413
2222127200	1	413
2222127212	1	413
2222127300	1	413
2222127500	1	413
2222127600	1	413
2222127612	1	413
2222127700	1	413
2222127900	1	412
2222137000	1	411
2222137100	1	411
2222137200	1	411
2222137300	1	411
2222137400	1	411
2222137412	1	411
2222137500	1	411
2222137600	1	411
2222137800	1	442
2222147200	1	409
2222147209	1	409
2222147212	1	409
2222147294	1	409
2222147400	1	409
2222147409	1	409
2222147412	1	409
2222147494	1	409
2222147600	1	409
2222147609	1	409
2222147612	1	409
2222147694	1	409
2222157100	1	409
2222157200	1	409

Code iFosnova	px n° pack	page
2222157300	1	409
2222167400	1	406
2222167409	1	406
2222167412	1	406
2222167494	1	406
2222167600	1	406
2222167609	1	406
2222167612	1	406
2222167694	1	406
2222177200	1	406
2222187200	1	407
2222187400	1	407
2222187500	1	407
2222187600	1	407
2222193400	1	408
2222197000	1	407
2222197100	1	409
2222197200	1	407
2222197300	1	409
2223031200	1	384
2223036200	1	384
2223037200	1	384
2223041100	1	384
2223046100	1	384
2223047100	1	384
2223051300	1	384
2223056300	1	384
2223057300	1	384
2223061200	1	384
2223066200	1	384
2223067200	1	384
2223091200	1	385
2223096200	1	385
2223097200	1	385
2223111200	1	384
2223116200	1	384
2223117200	1	384
2223121200	1	384
2223126200	1	384
2223127200	1	384
2223501208	1	384
2223501209	1	384
2223501408	1	384
2223501409	1	384
2223501608	1	384
2223501609	1	384
2223506208	1	384
2223506209	1	384
2223506408	1	384
2223506409	1	384
2223506608	1	384
2223506609	1	384
2223507208	1	384
2223507209	1	384
2223507408	1	384
2223507409	1	384
2223507608	1	384
2223507609	1	384
2223521600	1	385
2223526600	1	385
2223527600	1	385
2224311500	1	147
2224317500	1	147
2225007008	1	136
2225007108	1	136
2225007700	1	136
2225017700	1	137
2225017785	1	137
2226017100	1	145

Code iFosnova	px n° pack	page
2226037200	1	146
2226037300	1	146
2226037400	1	146
2226047300	1	146
2226047308	1	147
2226047500	1	146
2226047708	1	147
2226047900	1	146
2227003000	2	385
2227053000	50	385
2227153000	10	385
2227163000	1	385
2227173000	4	385
2227201000	20	385
2227221000	20	385
2227250200	5	385
2227250400	5	385
2227511000	4	385
2227553000	20	385
2227601000	50	385
2228107008	1	114-115
2228107108	1	114-115
2228107208	1	114-115
2228107300	1	114-115
2228107400	1	114-115
2228117300	1	115
2228117400	1	115
2228127100	1	114
2228127200	1	114
2228127300	1	114
2228127400	1	114
2228127500	1	115
2228127600	1	115
2228137000	1	114
2229001500	1	138
2229001700	1	138
2229007500	1	138
2229007700	1	138
2229011600	1	139
2229017600	1	139
2234671285	1	148
2234673285	1	148
2234677285	1	148
2234681285	1	148
2234683285	1	148
2234687285	1	148
2234691385	1	148
2234693385	1	148
2234697385	1	148
2234731000	1	148
2234737000	1	148
2234741000	1	148
2234747000	1	148
2240001000	1	129
2240001600	1	125
2240001900	1	125
2240007000	1	129
2240007400	1	125
2240007471	1	125
2240007472	1	125
2240007473	1	125
2240007474	1	125
2240007600	1	125
2240007900	1	125
2240011200	1	124
2240011500	1	124
2240017200	1	124
2240017500	1	124
2240017800	1	126

Code iFosnova	px n° pack	page
2240021200	1	130
2240021600	1	130
2240027200	1	130
2240027700	1	130
2240051500	1	127
2240051600	1	127
2240051700	1	129
2240057100	1	126
2240057500	1	127
2240057600	1	127
2240057700	1	129
2240061500	1	129
2240067500	1	129
2240071900	1	128
2240077900	1	128
2240091000	1	132
2240091200	1	133
2240091208	1	133
2240091500	1	132
2240091800	1	133
2240097200	1	133
2240097208	1	133
2240097500	1	132
2240097700	1	132
2240097800	1	133
2240111200	1	130
2240117200	1	130
2240121300	1	132
2240127300	1	132
2240137000	1	131
2240137100	1	131
2240137200	1	131
2240137300	1	131
2240137400	1	131
2240137500	1	131
2240137600	1	131
2240137700	1	131
2240141000	1	131
2240147000	1	131
2248511100	1	372
2248511400	1	371
2248511500	1	372
2248511600	1	373
2248511700	1	373
2248511800	1	373
2248511900	1	373
2248521200	1	374
2248521300	1	374
2248521500	1	374
2248531200	1	375
2248531300	1	375
2248531500	1	375
2248532200	1	375
2248532300	1	375
2248532500	1	375
2250001000	1	129
2250001600	1	125
2250001900	1	125
2250007000	1	129
2250007400	1	125
2250007471	1	125
2250007472	1	125
2250007473	1	125
2250007474	1	125
2250007600	1	125
2250007900	1	125
2250011200	1	124
2250011600	1	124
2250017200	1	124

Code Fosnova	px n° pack	page
2250017500	1	124
2250017800	1	126
2250021200	1	130
2250021600	1	130
2250027200	1	130
2250027700	1	130
2250051500	1	127
2250051600	1	127
2250051700	1	129
2250057100	1	126
2250057500	1	127
2250057600	1	127
2250057700	1	129
2250061500	1	129
2250067500	1	129
2250071000	1	128
2250077900	1	128
2250091000	1	132
2250091300	1	133
2250091308	1	133
2250091400	1	133
2250091500	1	132
2250097200	1	133
2250097208	1	133
2250097500	1	132
2250097700	1	132
2250097800	1	133
2250111200	1	130
2250117200	1	130
2250121300	1	132
2250127300	1	132
2250137000	1	131
2250137100	1	131
2250137200	1	131
2250137300	1	131
2250137400	1	131
2250137500	1	131
2250137600	1	131
2250137700	1	131
2250141000	1	131
2250147000	1	131
2260516800	1	155
2260516900	1	155
2260526500	1	155
2260526600	1	155
2270007000	1	24
2270007100	1	24
2270007200	1	24
2270007400	1	24
2270007600	1	24
2270007800	1	24
2270007871	1	24
2270007872	1	24
2270007873	1	24
2270007874	1	24
2270007900	1	24
2270011000	1	24
2270011100	1	24
2270013000	1	24
2270013100	1	24
2270017000	1	24
2270017100	1	24
2270021100	1	25
2270021900	1	25
2270023100	1	25
2270023900	1	25
2270027100	1	25
2270027900	1	25
2270041100	1	26

Code Fosnova	px n° pack	page
2270041200	1	27
2270041300	1	26
2270041400	1	27
2270041600	1	27
2270041700	1	27
2270043100	1	26
2270043200	1	27
2270043300	1	26
2270043400	1	27
2270043600	1	27
2270043700	1	27
2270047100	1	26
2270047200	1	27
2270047300	1	26
2270047400	1	27
2270047600	1	27
2270047700	1	27
2270051200	1	25
2270051300	1	27
2270051500	1	27
2270051600	1	27
2270051700	1	27
2270051800	1	25
2270053200	1	25
2270053300	1	27
2270053500	1	27
2270053600	1	27
2270053700	1	27
2270053800	1	25
2270057200	1	25
2270057300	1	27
2270057500	1	27
2270057600	1	27
2270057700	1	27
2270061100	1	27
2270061200	1	27
2270061300	1	26
2270061400	1	27
2270061500	1	27
2270061600	1	26
2270061800	1	26
2270061900	1	26
2270063100	1	27
2270063200	1	27
2270063300	1	26
2270063400	1	27
2270063500	1	27
2270063600	1	26
2270063800	1	26
2270063900	1	26
2270067100	1	27
2270067200	1	27
2270067300	1	26
2270067400	1	27
2270067500	1	27
2270067600	1	26
2270067800	1	26
2270067900	1	26
2270071400	1	29
2270071600	1	29
2270073400	1	29
2270073600	1	29
2270077400	1	29
2270077600	1	29
2270081300	1	30
2270081600	1	30
2270083300	1	30
2270083600	1	30
2270087300	1	30

Code Fosnova	px n° pack	page
2270087600	1	30
2270091200	1	30
2270091300	1	30
2270093200	1	30
2270093300	1	30
2270097200	1	30
2270097300	1	30
2270121000	1	31
2270123000	1	31
2270127000	1	31
2270131800	1	41
2270131900	1	41
2270133800	1	41
2270133900	1	41
2270137800	1	41
2270137900	1	41
2270141800	1	41
2270143800	1	41
2270147800	1	41
2270151100	1	42
2270153100	1	42
2270157100	1	42
2270161000	1	42
2270163000	1	42
2270167000	1	42
2270171100	1	43
2270171500	1	43
2270171600	1	43
2270173100	1	43
2270173500	1	43
2270173600	1	43
2270177100	1	43
2270177500	1	43
2270177600	1	43
2270181000	1	44
2270183000	1	44
2270187000	1	44
2270187100	1	44
2270187300	1	44
2270187400	1	44
2270207100	1	40
2270207300	1	40
2270207500	1	40
2270227400	1	40
2270257100	1	41
2270257300	1	41
2270257500	1	41
2270261000	1	42
2270261100	1	42
2270263000	1	42
2270263100	1	42
2270267000	1	42
2270267100	1	42
2271011100	1	78
2271011200	1	78
2271011300	1	78
2271011400	1	82
2271017100	1	78
2271017200	1	78
2271017300	1	78
2271017400	1	82
2271021100	1	79
2271021200	1	79
2271027100	1	79
2271027200	1	79
2271031000	1	80
2271031200	1	81
2271031300	1	80
2271031400	1	81

Code iFosnova	px n° pack	page
2271031500	1	81
2271031600	1	80
2271031700	1	81
2271031800	1	81
2271031900	1	81
2271037000	1	80
2271037200	1	81
2271037300	1	80
2271037400	1	81
2271037500	1	81
2271037600	1	80
2271037700	1	81
2271037800	1	81
2271037900	1	81
2271041100	1	78
2271041200	1	78
2271047100	1	78
2271047200	1	78
2271091000	1	92
2271091700	1	92
2271097000	1	92
2271097400	1	92
2271097600	1	92
2271097700	1	92
2271121400	1	83
2271127400	1	83
2280007000	1	32
2280007100	1	32
2280007200	1	32
2280007400	1	32
2280007600	1	32
2280007800	1	32
2280007871	1	32
2280007872	1	32
2280007873	1	32
2280007874	1	32
2280007900	1	32
2280011100	1	32
2280013100	1	32
2280017100	1	32
2280021100	1	33
2280021600	1	33
2280023100	1	33
2280023600	1	33
2280027100	1	33
2280027600	1	33
2280041100	1	34
2280041200	1	35
2280041300	1	34
2280041400	1	35
2280041600	1	35
2280041700	1	35
2280043100	1	34
2280043200	1	35
2280043300	1	34
2280043400	1	35
2280043600	1	35
2280043700	1	35
2280047100	1	34
2280047200	1	35
2280047300	1	34
2280047400	1	35
2280047600	1	35
2280047700	1	35
2280051100	1	33
2280051200	1	33
2280051300	1	35
2280051400	1	33
2280051500	1	35

Code iFosnova	px n° pack	page
2280051600	1	35
2280051700	1	35
2280051800	1	33
2280053100	1	33
2280053200	1	33
2280053300	1	35
2280053400	1	33
2280053500	1	35
2280053600	1	35
2280053700	1	35
2280053800	1	33
2280057100	1	33
2280057200	1	33
2280057300	1	35
2280057400	1	33
2280057500	1	35
2280057600	1	35
2280057700	1	35
2280057800	1	33
2280061100	1	35
2280061200	1	35
2280061300	1	34
2280061400	1	35
2280061500	1	35
2280061600	1	34
2280061700	1	33
2280061800	1	34
2280061900	1	34
2280063100	1	35
2280063200	1	35
2280063300	1	34
2280063400	1	35
2280063500	1	35
2280063600	1	34
2280063700	1	33
2280063800	1	34
2280063900	1	34
2280067100	1	35
2280067200	1	35
2280067300	1	34
2280067400	1	35
2280067500	1	35
2280067600	1	34
2280067700	1	33
2280067800	1	34
2280067900	1	34
2280071400	1	37
2280071600	1	37
2280073400	1	37
2280073600	1	37
2280077400	1	37
2280077600	1	37
2280081300	1	38
2280081600	1	38
2280083300	1	38
2280083600	1	38
2280087300	1	38
2280087600	1	38
2280091000	1	36
2280091100	1	36
2280091200	1	38
2280091300	1	38
2280091400	1	36
2280093000	1	36
2280093100	1	36
2280093200	1	38
2280093300	1	38
2280093400	1	36
2280097000	1	36

Code iFosnova	px n° pack	page
2280097100	1	36
2280097200	1	38
2280097300	1	38
2280097400	1	36
2280121000	1	39
2280123000	1	39
2280127000	1	39
2281011100	1	84
2281011200	1	84
2281011300	1	84
2281011400	1	88
2281017100	1	84
2281017200	1	84
2281017300	1	84
2281017400	1	88
2281021100	1	85
2281021200	1	84
2281027100	1	85
2281027200	1	84
2281031000	1	86
2281031200	1	87
2281031300	1	86
2281031400	1	87
2281031500	1	87
2281031600	1	86
2281031700	1	87
2281031800	1	87
2281031900	1	87
2281037000	1	86
2281037200	1	87
2281037300	1	86
2281037400	1	87
2281037500	1	87
2281037600	1	86
2281037700	1	87
2281037800	1	87
2281037900	1	87
2281041100	1	85
2281041200	1	85
2281047100	1	85
2281047200	1	85
2281091000	1	93
2281091700	1	93
2281097000	1	93
2281097400	1	93
2281097600	1	93
2281097700	1	93
2281121400	1	89
2281127400	1	89
2298652900	1	475
2298654500	1	477
229865451241	1	477
2298654800	1	476
2298658100	1	476
2298658400	1	476
2298658600	1	476
2298659000	1	477

- 1- This catalogue supersedes and cancels all previous editions.
- 2- All list prices are VAT excluded and already include WEEE contribution. However, prices are not binding and the company will inform you on any variation.
- 3- Goods travel at the customer's risk, including in the case of possible breakages, even if shipped carriage free. No complaints will be accepted after 8 days from receipt.
- 4- Orders will be dealt with according to availability; partial shipments may also be sent out.
- 5- The characteristics of the articles, the LEDs used and the lighting design calculations may be subject to change without notice and with no obligation of notification, in accordance with our manufacturing requirements and in order to finalise the lighting fixture.
- 6- Transportation costs, with the exception of delivery by our vehicles, are at the customer's expense.
- 7- Returned goods will not be accepted. In any case, returned goods must be authorised by our company and will be accepted carriage free if the material is in a good state of conservation and can therefore be used. (Ask for the current year's circular).
- 8- We recommend that plastic components, especially those designed for suspension luminaires, be checked at least every time the bulb is changed.
- 9- Only payments made directly to our address or to persons authorised by our company, will be accepted.
- 10- Reproduction, even in part, of the descriptions and illustrations in our catalogue is prohibited.
- 11- The place of jurisdiction for any legal disputes arising from or related to these General Sales Conditions shall be Milan.
- 12- Fosnova guarantees that the products it manufactures are free of defects, in accordance with art. 1490 and subsequent articles of the Italian Civil Code.

**QUANTITIES SHALL BE HANDLED ONLY IN PACKAGES OR RELEVANT MULTIPLES**

**SURCHARGE OF 10% FOR ACCESSORIES NOT HANDLED IN PACKAGES**

**DIMENSIONS ARE GIVEN IN MM, UNLESS OTHERWISE INDICATED**

**FOR VERSIONS WITH ELECTRONIC WIRING AND EMERGENCY UNIT, THE MEASUREMENTS OF THE MODULE DO NOT VARY, EXCEPT OTHERWISE INDICATED**

**PHOTOMETRIC DATA, POWER EFFICIENCY AND LUMINAIRE DESIGN INFORMATION MAY BE SUBJECT TO VARIATIONS AND IMPROVEMENTS. BASED ON THE SPEED OF TECHNOLOGICAL EVOLUTION AFFECTING THESE PRODUCTS. THE COLOUR TEMPERATURES OF LEDS FALL WITHIN ACCEPTED INDUSTRY TOLERANCES DEFINED BY LED MANUFACTURERS, WE WILL GIVE NOTICE OF THESE CHANGES ON OUR WEBSITES FROM TIME TO TIME.**

**SOME IMAGES ARE SIMULATED APPLICATION AND / OR PHOTOMONTAGES**

**THE DATA REGARDING LUMINOUS FLUXES REPORTED FOR EACH FIXTURE ARE GENERALLY MEASURED BASED ON NOMINAL VALUES. VALUES ARE SET BY LED MANUFACTURERS (TA=25°C).**

**W TOT: ALL DATA REFER TO THE NOMINAL WATTAGES SUPPLIED BY THE MANUFACTURER (SYSTEM WATT).**

**ENERGY EFFICIENCY INDEX FOR ELECTRONIC BALLASTS FOR 35/70W DISCHARGE LAMPS: EEI:A2**

**ENERGY EFFICIENCY INDEX FOR WIRING WITH ELECTRO-MECHANICAL BALLASTS: EEI:A3**

## DISANO GROUP IN THE WORLD

### DISANO ILLUMINAZIONE s.p.a.

v.le Lombardia, 129  
20089 Rozzano - MI (Italy)  
Tel. 0039 02 824771  
Fax 0039 02 8252355  
Email: info@disano.it  
www.disano.it

### DISANO ILLUMINAZIONE France s.a.

Siège Social:  
Parc d'activité de la Caille  
1443 Route de l'Arny  
74350 Allonzier la Caille (France)  
Tel. 04 50 33 08 10  
Fax 04 50 33 08 20  
Email: commercial@disano.fr  
www.disano.fr

### DISANO ILLUMINAZIONE PORTUGAL

Rua dos navegantes n.51  
4000-358 Porto  
Tel. +351.919 318 510  
Email: julio.guedes@disano.pt

### DISANO ILLUMINAZIONE RUSSIA

Rochdelskaia str.15 Bldg.17-18  
123022 Moscow - Russia  
tel:04956470203  
Email: marina.vasilyeva@disanogroup.ru

### FOSNOVA

via Como, 9  
20089 Rozzano - MI (Italy)  
Tel. 0039 02 824771  
Fax 0039 02 8252355  
Email: info@fosnova.it  
www.fosnova.it

### ILUMINACIÓN DISANO S.A.

Poligono Industrial L'Avenar,  
C/ de la Llum, n°2  
43883 Roda de Barà  
Tarragona (Spain)  
Tel. 977 55 88 90  
Fax. 977 55 88 95  
Email: comercial@disano.es  
www.disano.es

### DISANO ILLUMINAZIONE IRELAND

Cordoolough  
Ballybay  
Co. Monaghan  
Tel. 0872236251  
Email: john.walsh@disano.ie

### DISANO ILLUMINAZIONE INDIA

AL B - 206 Parsvnath Prestige, Sector  
93A,  
201304 Noida  
Tel. +91-991/0002450  
neeraj.singh@disano.in

### DISANO POLSKA

Biuro Techniczne - Handlowe  
Ul. M. Kopernika 13  
42-217 Czestochowa  
tel: 0343613329  
Email: biuro@disano.pl  
www.disano.pl

### DISANO ILLUMINAZIONE MIDDLE EAST

Al Barsha 1  
Kazi & Nephew Comm Building  
P.O.Box:450177 Dubai-UAE  
tel: 044329504  
Email: info.dubai@disano.ae



**UE**AUSTRIA

**MOLTO LUCE GmbH**  
Europastrasse 45  
A-4600 Wels  
tel: 072426980  
Email: office@moltoluca.at  
Vorarlberger Allee 28  
1230 Wien,  
tel: 016160300  
Email: office.wien@moltoluca.com

BELGIUM

**ELC LIGHTING b.v.b.a.**  
Stenehei 30/14  
2480 Dessel  
tel: 014704251  
Email: info@elc-lighting.be

CYPRUS

**DRAKOS LIGHTING LTD**  
6A Neas Engomis Str.  
2409 Nicosia  
tel: 022766100  
Email: c.drakos@drakoslighting.com.cy

GREECE

**GRAVANI BROS S.A.**  
20 Nap Zerva Street  
54640 Thessaloniki  
tel: 02310845170  
Email: info@gravani.gr  
118b, Kifisias Avenue  
11526 Atene  
tel: 02106917363

HUNGARY

**REFLECT**  
Lighting Techique And Trading Ltd.  
Kinizsi Pal u.29 – Torokbalint H-2045  
tel. 36305765157  
Email: reflect@t-online.hu

IRELAND

**M. KELLIHER (1998) LTD.**  
Ballymullen, Tralee, Co Kerry  
tel: 0667145300  
Email: bernadette.mcdonnell@gex-pro.com

LITHUANIA

**ARDENA UAB**  
Vytenio Str.20 Vilnius  
Lt-03229  
Vilnius  
tel: 052139544  
Email: valerijus.marsevskis@ardena.lt

NETHERLANDS

**ATTIVA LICHTPROJECTEN**  
Neckar 12  
02491 BD Den HAAG  
tel: 0703172700  
Email: info@attiva.nl

PORTUGAL

**CASA DAS LAMPADAS LDA**  
Rua Da Arroiteia 894  
4465-586 Leça Do Balio  
tel: 0229059000  
Email: calamp@casadaslampadas.com

SLOVAKIA

**COMLUX sro**  
Kopanice 5  
82104 Bratislava  
tel: 0243424832  
Email: comlux@comlux.sk

SLOVENIA

**(Promotion & Marketing only)**  
**VEZAVE d.o.o**  
Velika pot 25  
5250 Solkan  
tel: 053308150  
Email: info@vezave.si

UNITED KINGDOM

**PRINCIPAL LIGHTING Ltd**  
21 West Moor Park  
Yorkshire Way Armthorpe  
DoncasterDN3 3GW  
Tel: 01302 762160  
Email: commercial@plighting.co.uk

**EUROPE**ALBANIA

**A.BI.E SSE SH.P.K**  
Rr. 28 Nentori, 73  
1051, Kashar, Tirane,  
Albania  
Tel: 042407290/1  
E-mail: info@abiessse.al

BIELORUSSIA

**OST - ARDENA**  
Olshevskogo Str., 11-4  
Minsk  
tel: 0172050697  
Email: info@ostardena.by

CROATIA

**TELEKTRA D.O.O.**  
Industrijska cesta 15  
10360 Sesvete  
tel: 012050666  
Email: telektra@zg.t-com.hr

ICELAND

**S. GUDJONSSON ehf.**  
Smiojuvegur 3 – 200  
Kopavogur 510172-0199  
tel: 03545204500  
Email: sg@sg.is

SERBIA

**BUCK d.o.o.**  
Milorada Jovanovica 9  
11147 Beograd, Po. Box 2  
tel: 0112052402  
Email: office@buck.rs

SWITZERLAND

**FRAUCHIGER AG**  
Muehletalstrasse 18  
03110 Muesingen  
tel: 0317201616  
Email: info@fram-licht.ch

MACEDONIA

**BLAKOM dooel Skopje**  
Marija Matoska Pop-Trpeva  
d.e.i  
"Vostanicka" - 45  
1000 - Skopje  
Tel: +38922465033  
Email: blakom@t-home.mk

**AFRICA**ETHIOPIA

**DAMA TRADE**  
P.o. Box 2157  
Addis-Ababa  
tel: 0113716878  
Email: damatrade@ethionet.et

KENYA

**POWER TECHNICS LIMITED**  
Po. Box 49197,  
Nairobi-00100, Kenya,  
Location: Mombasa Road  
Tel. 0703069000  
Email: info@powertech.com

MOROCCO

**EUROLUX S.A.**  
69, Bd de la Corniche - Ain Diab  
20180 Casablanca  
tel: 0522799500  
Email: eurolux@eurolux.com.ma

**ASIA**ISRAEL

**CHAGI SERV. MAN. & MARK. LTD**  
P.o. Box 12063  
Industrial Area  
Emek-hefer, 38800  
tel: 046220235  
Email: chagisrv@netvision.net.il

SAUDI ARABIA

**NOURAN COMPANY LTD**  
P.o. Box 54558  
Riyadh 11524  
tel: 014651007  
Email: riyadh@nouran.com

SIRIA

**GHAZAL ASWAD & DEHNE CO.**  
Al Abbara Quarter,  
Aleppo, Syria  
Tel. 0212117259  
Email: g-dco@scs-net.org





**disano** ● GROUP

**FOS NOVA s.r.l.**  
20089 Rozzano (MI)  
via Como, 9  
centralino 02/824771 (20 linee passanti)  
telefax 02/8252355  
Email: [info@fosnova.it](mailto:info@fosnova.it)  
web: [www.fosnova.it](http://www.fosnova.it)